



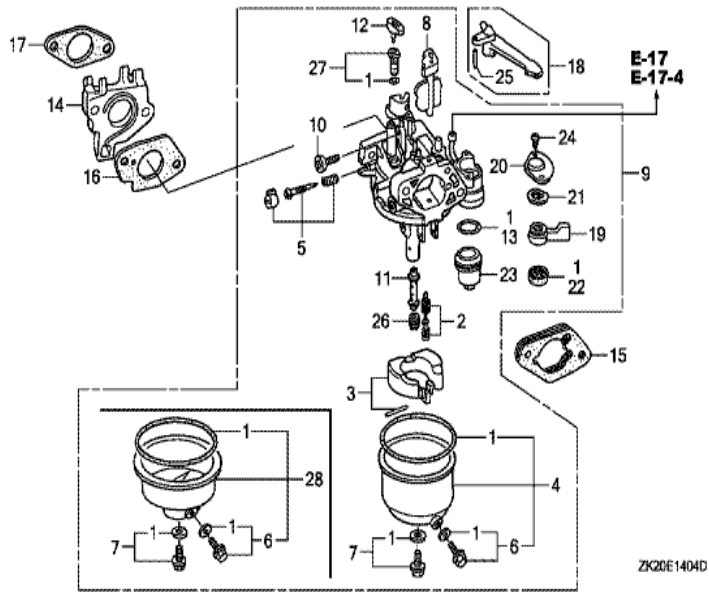
ZK20-E1100A

FR. →

<u>Ref</u>	<u>Partnumber</u>	<u>Description</u>	<u>GX240K1</u>	<u>Serial Numbers</u>
001	28400-ZE2-W01ZB	STARTER ASSY., RECOIL *NH1 *	1	
001	28400-ZE2-W01ZB	STARTER ASSY., RECOIL *NH1 *	1	
001	28400-ZE2-W01ZG	STARTER ASSY., RECOIL *NH105 *	1	4914022
001	28400-ZE2-W01ZG	STARTER ASSY., RECOIL *NH105 *	1	
002	28410-ZE2-W01ZB	CASE COMP., RECOIL STARTER *NH1 *	1	
002	28410-ZE2-W01ZB	CASE COMP., RECOIL STARTER *NH1 *	1	
002	28410-ZE2-W01ZG	CASE COMP., RECOIL STARTER *NH105 *	1	
002	28410-ZE2-W01ZG	CASE COMP., RECOIL STARTER *NH105 *	1	
003	28421-ZE2-W01	PULLEY, RECOIL STARTER	1	
004	28422-ZE2-W01	RATCHET, STARTER	2	
005	28441-ZE2-W01	SPRING, FRICTION	1	
006	28442-ZE2-W01	SPRING, STARTER RETURN	1	
007	28443-ZE2-W01	SPRING, RATCHET	2	
<u>Ref</u>	<u>Partnumber</u>	<u>Description</u>	<u>GX240K1</u>	<u>Serial Numbers</u>
008	28444-ZE2-W01	RETAINER, SPRING	1	
010	28461-ZE2-W02	GRIP, STARTER	1	4914022
011	28462-ZE2-W01	ROPE, RECOIL STARTER	1	3793540
011	28462-ZE2-W01	ROPE, RECOIL STARTER	1	3793540
011	28462-ZE2-W11	ROPE, RECOIL STARTER	1	
011	28462-ZE2-W11	ROPE, RECOIL STARTER	1	3793541
012	28469-ZE2-W01	REINFORCEMENT, GRIP	1	
012	28469-ZE2-W01	REINFORCEMENT, GRIP	1	3793540
013	90004-ZE2-W01	SCREW, CENTER	1	
014	90008-ZE2-003	BOLT, FLANGE, 6X10	3	

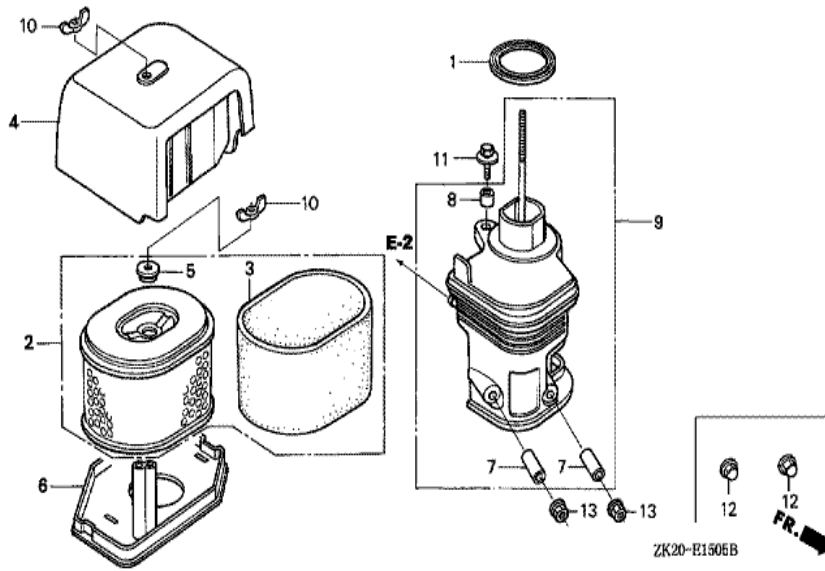


Ref	Partnumber	Description	GX240K1	Serial Numbers	
002	16731-ZE2-003	CLIP, TUBE	1		
003	19610-ZE2-010ZC	COVER COMP., FAN *NH1 *	1		
003	19610-ZE2-010ZG	COVER COMP., FAN *NH105 *	1		
003	19610-ZE2-010ZG	COVER COMP., FAN *NH105 *	1		
005	19631-ZE2-D00	SHROUD	1		
009	32197-ZH8-003	SUB HARNESS	1	3116815	3566259
009	32197-ZH8-003	SUB HARNESS	1		3566259
012	36100-ZE1-015	SWITCH ASSY., ENGINE STOP	1		3313581
012	36100-ZE1-015	SWITCH ASSY., ENGINE STOP	1		3566259
012	36100-ZH7-003	SWITCH ASSY., ENGINE STOP	1		
012	36100-ZH7-003	SWITCH ASSY., ENGINE STOP	1	3566260	
014	90013-883-000	BOLT, FLANGE, 6X12 (CT200)	8		3116814
014	90013-883-000	BOLT, FLANGE, 6X12 (CT200)	6	3116815	

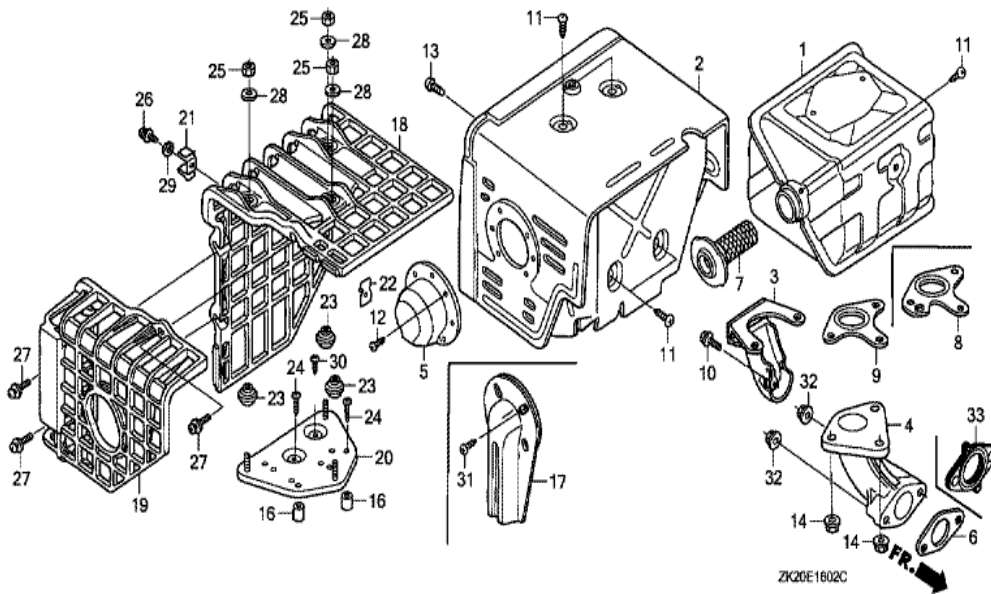


Ref	Partnumber	Description	GX240K1	Serial Numbers
001	16010-ZE2-812	GASKET SET	1	
002	16011-ZA0-931	VALVE SET, FLOAT	1	
003	16013-ZA0-931	FLOAT SET	1	
004	16015-ZE2-005	CHAMBER SET, FLOAT	1	BE70B A
005	16016-ZH7-W01	SCREW SET, PILOT	1	
006	16024-ZE1-811	SCREW SET, DRAIN	1	
007	16028-ZE0-005	SCREW SET	1	
008	16044-ZE2-005	CHOKE SET	1	
009	16100-ZE2-W70	CARBURETOR ASSY. (BE70B A)	1	3453330
009	16100-ZE2-W71	CARBURETOR ASSY. (BE70B B/C)	1	
009	16100-ZE2-W71	CARBURETOR ASSY. (BE70B B/C)	1	3453331
010	16124-ZE0-005	SCREW, THROTTLE STOP	1	
011	16166-ZE2-W70	NOZZLE, MAIN	1	

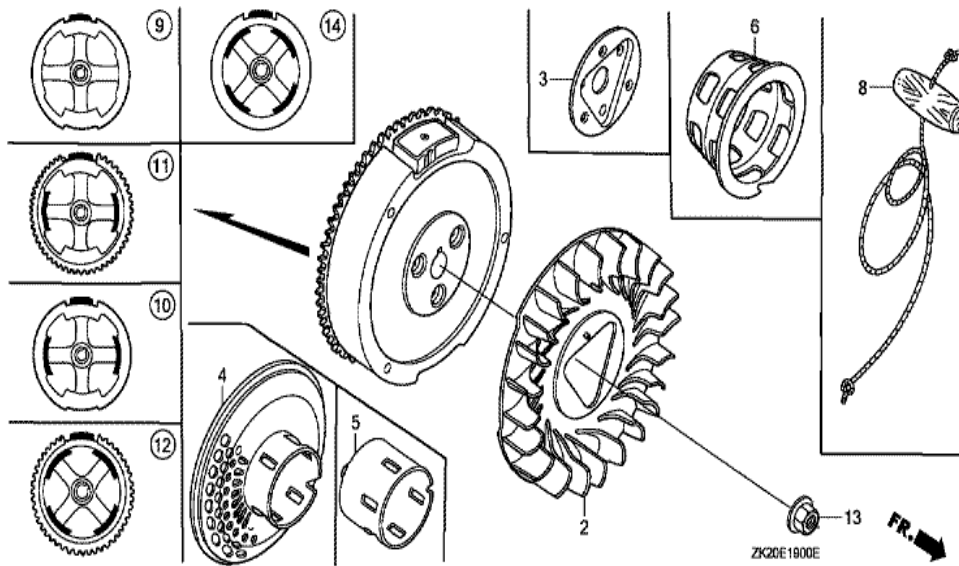
<u>Ref</u>	<u>Partnumber</u>	<u>Description</u>	<u>GX240K1</u>	<u>Serial Numbers</u>	
012	16172-ZE3-W10	COLLAR, SETTING	1		
013	16173-001-004	PACKING, FUEL STRAINER CUP	1		
014	16211-ZE2-000	INSULATOR, CARBURETOR	1		4926607
015	16220-ZA0-702	SPACER COMP., CARBURETOR	1		
016	16221-ZA0-800	PACKING, CARBURETOR	1		
017	16223-ZA0-800	PACKING, INSULATOR	1		
018	16610-ZE1-000	LEVER COMP., CHOKE (STD.)	1		
019	16953-ZE1-811	LEVER, COCK	1		BE70B A
019	16953-ZE1-812	LEVER, COCK	1	BE70B B	
019	16953-ZE1-812	LEVER, COCK	1	BE70B B	
020	16954-ZE1-811	PLATE, LEVER SETTING	1		BE70B A
020	16954-ZE1-812	PLATE, LEVER SETTING	1	BE70B B	
020	16954-ZE1-812	PLATE, LEVER SETTING	1	BE70B B	
021	16956-ZE1-811	SPRING, COCK LEVER	1		
022	16957-ZE1-812	PACKING, FUEL COCK	1		
023	16967-ZE0-811	CUP, FUEL STRAINER	1		
024	93500-030061H	SCREW, PAN, 3X6	2	BE70B B	
024	93500-030081G	SCREW, PAN, 3X8	2		BE70B A
024	93500-030081G	SCREW, PAN, 3X8	2		BE70B A
025	94305-20122	PIN, SPRING, 2X12	1		
026	99101-ZH70820	JET, MAIN, #82	1		BE70B A
026	99101-ZH70850	JET, MAIN, #85	1		BE70B A
026	99101-ZH70850	JET, MAIN, #85	1		BE70B A
026	99101-ZH70880	JET, MAIN, #88	1		BE70B A
026	99101-ZH70880	JET, MAIN, #88	1		BE70B A
026	99101-ZH80820	JET, MAIN, #82	(1)	BE70B B	
026	99101-ZH80820	JET, MAIN, #82	(1)	BE70B B	
026	99101-ZH80850	JET, MAIN, #85	(1)		
026	99101-ZH80850	JET, MAIN, #85	(1)	BE70B B	
026	99101-ZH80880	JET, MAIN, #88	1	BE70B B	
026	99101-ZH80880	JET, MAIN, #88	1	BE70B B	
027	99204-ZA00400	JET SET, PILOT, #40	1	BE70B C	
027	99204-ZA00400	JET SET, PILOT, #40	1	BE70B C	
<u>Ref</u>	<u>Partnumber</u>	<u>Description</u>	<u>GX240K1</u>	<u>Serial Numbers</u>	
027	99204-ZE00400	JET SET, PILOT, #40	1	BE70B B	BE70B B
027	99204-ZE00400	JET SET, PILOT, #40	1	BE70B B	BE70B B
027	99204-ZE20400	JET SET, PILOT, #40	1		BE70B A
027	99204-ZE20400	JET SET, PILOT, #40	1		BE70B A
028	16015-ZE8-005	CHAMBER SET, FLOAT	1	BE70B B	
028	16015-ZE8-005	CHAMBER SET, FLOAT	1	BE70B B	



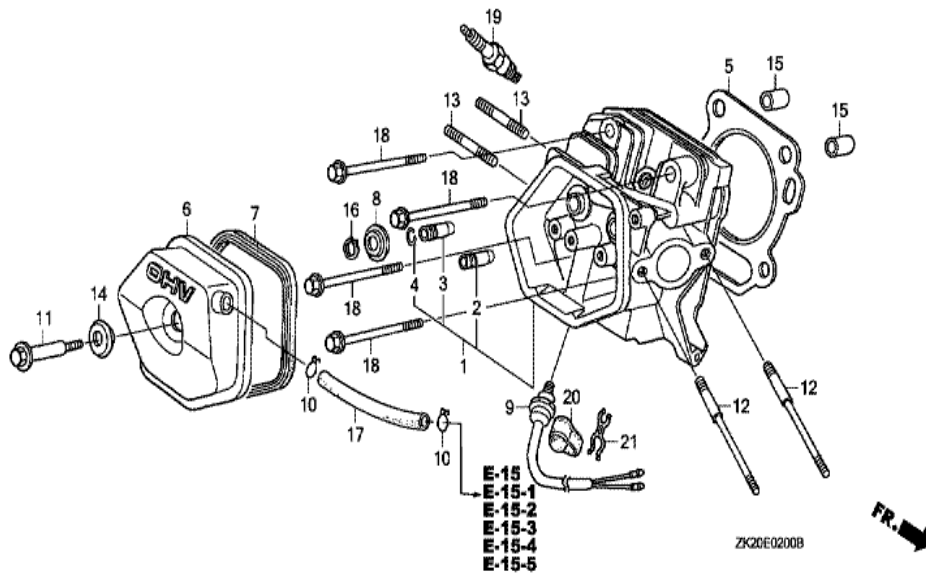
Ref	Partnumber	Description	GX240K1	Serial Numbers
001	16271-ZE2-000	PACKING, ELBOW	1	
001	16271-ZE2-010	PACKING, ELBOW	1	
002	17210-ZE3-010	ELEMENT, AIR CLEANER	1	
003	17218-ZE3-000	FILTER, OUTER	1	
004	17231-ZH9-N01	COVER, AIR CLEANER (100DB)	1	
005	17232-891-000	GROMMET, AIR CLEANER	1	
006	17235-ZH9-N00	NOSE, SILENCER	1	
007	17238-ZE2-310	COLLAR, AIR CLEANER	2	
008	17239-ZE1-000	COLLAR B, AIR CLEANER	1	
009	17410-ZH9-N00	ELBOW COMP., AIR CLEANER	1	
010	90325-044-000	NUT, TOOL BOX SETTING	2	
011	93494-0602008	BOLT-WASHER, 6X20	1	
011	93494-0602008	BOLT-WASHER, 6X20	1	
Ref	Partnumber	Description	GX240K1	Serial Numbers
013	94050-06000	NUT, FLANGE, 6MM	2	3165928



Ref	Partnumber	Description	GX240K1	Serial Numbers
001	18310-ZE2-W61	MUFFLER COMP. (100DB)	1	
002	18320-ZE2-W61	PROTECTOR COMP., MUFFLER	1	
004	18330-ZH9-N00	PIPE, EX.	1	
006	18333-ZE3-800	GASKET, EX. PIPE	1	3486453
006	18333-ZK6-Y00	GASKET, EX. PIPE	1	3486454
006	18333-ZK6-Y00	GASKET, EX. PIPE	1	3486454 3844352
007	18355-ZE2-W00	ARRESTER, SPARK	1	
007	18355-ZE2-W00	ARRESTER, SPARK	1	
008	18381-ZE2-W10	GASKET, MUFFLER (ARRESTER) (NIPPON LEAKL	1	
008	18381-ZE2-W10	GASKET, MUFFLER (ARRESTER) (NIPPON LEAKL	1	
011	90050-ZE1-000	SCREW, TAPPING, 5X8	4	
011	90050-ZE1-000	SCREW, TAPPING, 5X8	5	
013	90006-ZE2-000	SCREW, TAPPING, 6X10	1	
<u>Ref</u>	<u>Partnumber</u>	<u>Description</u>	<u>GX240K1</u>	<u>Serial Numbers</u>
013	90006-ZE2-000	SCREW, TAPPING, 6X10	(1)	3151975
014	94050-08000	NUT, FLANGE, 8MM	3	
032	94050-08000	NUT, FLANGE, 8MM	2	
033	18333-ZF6-W01	GASKET, EX. PIPE	1	3844353
033	18333-ZF6-W01	GASKET, EX. PIPE	1	3844353

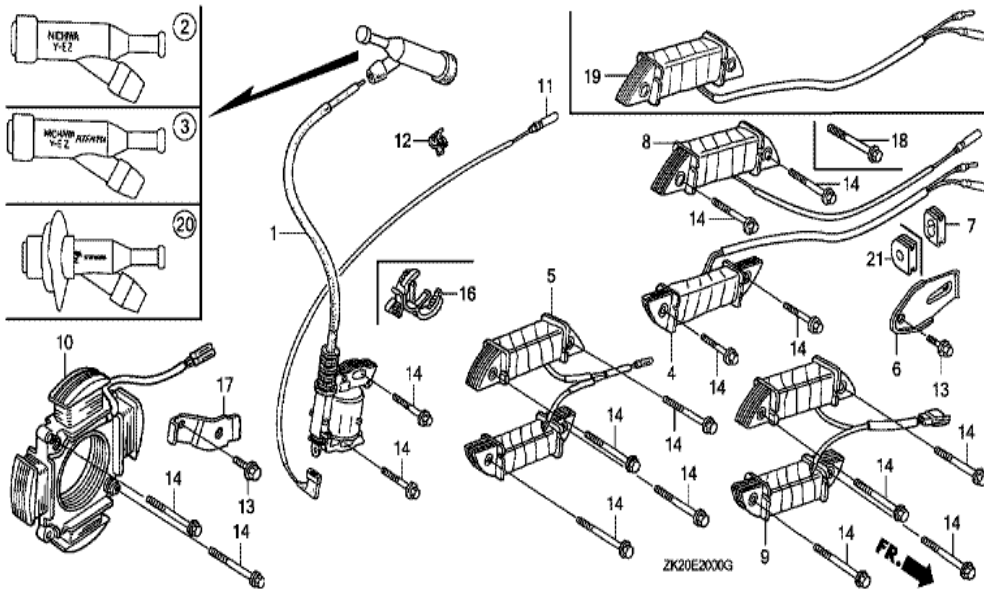


Ref	Partnumber	Description	GX240K1	Serial Numbers
002	19511-ZE2-000	FAN, COOLING	1	
005	28451-ZE2-W01	PULLEY, STARTER	1	
009	31100-ZE2-010	FLYWHEEL COMP.	1	3337056
013	90201-ZE3-790	NUT, SPECIAL, 16MM	1	3467138
013	90201-ZE3-790	NUT, SPECIAL, 16MM	1	4835166
013	90201-ZE3-V00	NUT, SPECIAL, 16MM	1	
013	90201-ZE3-V00	NUT, SPECIAL, 16MM	1	3467139



Ref	Partnumber	Description	GX240K1	Serial Numbers
001	12200-ZH9-000	HEAD COMP., CYLINDER	1	
002	12204-ZE2-306	GUIDE, IN. VALVE (O.S.)	1	
003	12205-ZE2-305	GUIDE, EX. VALVE (OS)	1	
004	12216-ZE2-300	CLIP, VALVE GUIDE	1	
005	12251-ZE2-800	GASKET, CYLINDER HEAD	1	
006	12310-ZE2-020	COVER COMP., HEAD	1	3146327
006	12310-ZE2-020	COVER COMP., HEAD	1	
007	12391-ZE2-020	PACKING, HEAD COVER	1	
008	14775-ZE2-010	SEAT, VALVE SPRING	1	
011	90014-ZE2-000	BOLT, HEAD COVER	1	
012	90042-ZE2-000	BOLT, STUD, 8X123	2	
012	90042-ZE2-000	BOLT, STUD, 8X123	2	
013	90047-ZE2-000	BOLT, STUD, 8X47	2	

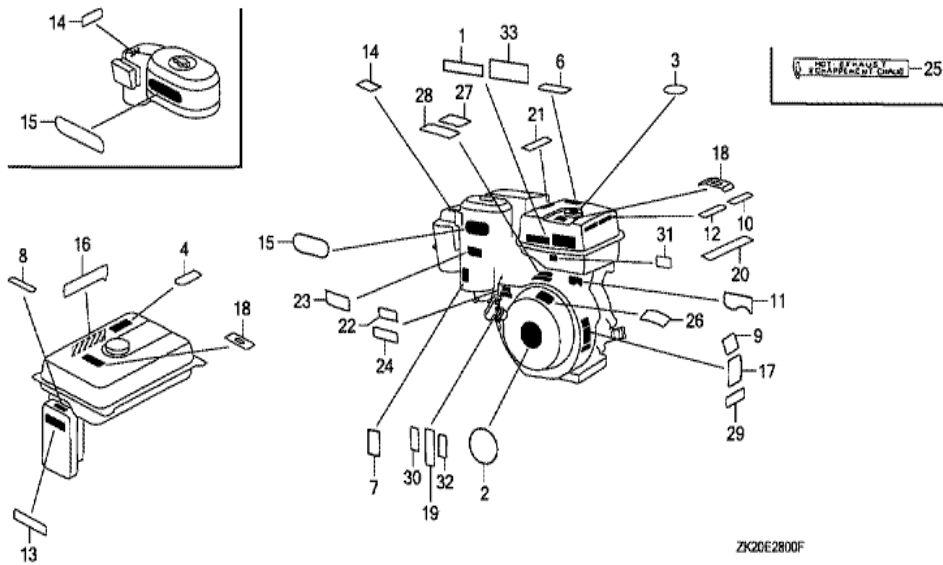
<u>Ref</u>	<u>Partnumber</u>	<u>Description</u>	<u>GX240K1</u>	<u>Serial Numbers</u>
013	90047-ZE2-000	BOLT, STUD, 8X47	2	3844352
013	92900-080320E	BOLT, STUD, 8X32	2	
013	92900-080320E	BOLT, STUD, 8X32	2	3844353
014	90441-ZE2-010	WASHER COMP., HEAD COVER	1	
015	94301-12200	DOWEL PIN, 12X20	2	
017	95005-1110030	TUBE, 11X100 (95005-11001-30M)	1	
017	95005-1110030	TUBE, 11X100 (95005-11001-30M)	1	3454868
017	95005-1110530	TUBE, 11X105 (95005-11001-30M)	1	3454867
017	95005-1110530	TUBE, 11X105 (95005-11001-30M)	1	3454867
018	95725-1008000	BOLT, FLANGE, 10X80	4	4847591
018	95725-1008000	BOLT, FLANGE, 10X80	4	
019	98079-55846	PLUG, SPARK (BPR5ES) (NGK)	1	
019	98079-55846	PLUG, SPARK (BPR5ES) (NGK)	(1)	
019	98079-55855	PLUG, SPARK (W16EPR-U) (DENSO)	1	
019	98079-55855	PLUG, SPARK (W16EPR-U) (DENSO)	(1)	
019	98079-56846	PLUG, SPARK (BPR6ES) (NGK)	1	3860625
019	98079-56846	PLUG, SPARK (BPR6ES) (NGK)	1	
019	98079-56855	PLUG, SPARK (W20EPR-U) (DENSO)	1	
019	98079-56855	PLUG, SPARK (W20EPR-U) (DENSO)	1	



Ref	Partnumber	Description	GX240K1	Serial Numbers
001	30500-ZF6-W02	COIL ASSY., IGNITION	1	
001	30500-ZF6-W02	COIL ASSY., IGNITION	1	
003	30700-ZE1-013	CAP ASSY., NOISE SUPPRESSOR (NICHIIWA Y-E	1	3860625
007	31512-ZE2-000	GROMMET, CORD	1	
011	36101-ZE1-010	CORD, STOP SWITCH (370MM)	1	
014	90015-883-000	BOLT, FLANGE, 6X28 (CT200)	N	
016	90684-ZA0-601	CLIP, HARNESS	1	

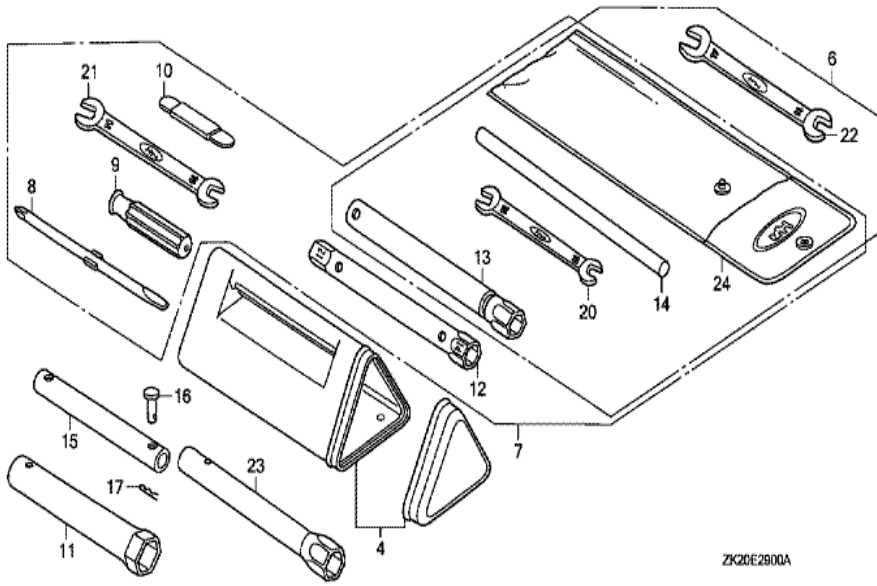


Ref	Partnumber	Description	GX240K1	Serial Numbers
002	16551-ZE2-000	ARM, GOVERNOR	1	
003	16555-ZE2-000	ROD, GOVERNOR	1	
003	16555-ZE2-000	ROD, GOVERNOR	1	
004	16561-ZE2-000	SPRING, GOVERNOR (L=145.0MM) (WIRE DIAME	1	3156815
005	16562-ZE2-000	SPRING, THROTTLE RETURN	1	3337056
010	16570-ZE2-721	CONTROL ASSY.	1	
010	16570-ZE2-721	CONTROL ASSY.	1	3612528
010	16570-ZE2-T50	CONTROL ASSY. (WACKER)	1	3612529
010	16570-ZE2-T50	CONTROL ASSY. (WACKER)	1	3612529
017	16584-883-300	SPRING, CONTROL ADJUSTING	(1)	
023	90013-883-000	BOLT, FLANGE, 6X12 (CT200)	2	
024	90015-ZE5-010	BOLT, GOVERNOR ARM	1	
031	94050-06000	NUT, FLANGE, 6MM	1	
Ref	Partnumber	Description	GX240K1	Serial Numbers
042	93500-050280H	SCREW, PAN, 5X28	1	3612529
042	93500-050350A	SCREW, PAN, 5X35	1	
042	93500-050350A	SCREW, PAN, 5X35	1	3612528

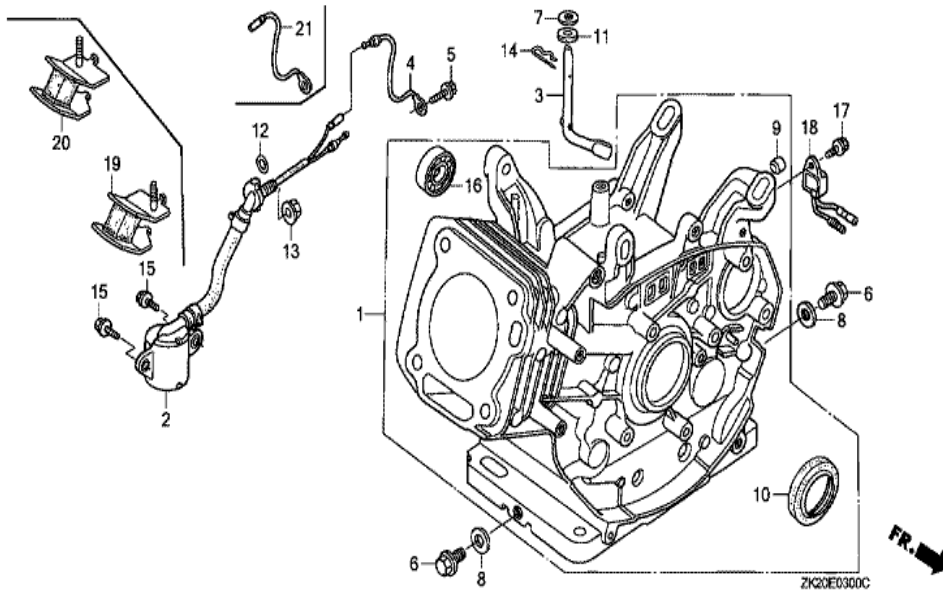


ZK20E2800F

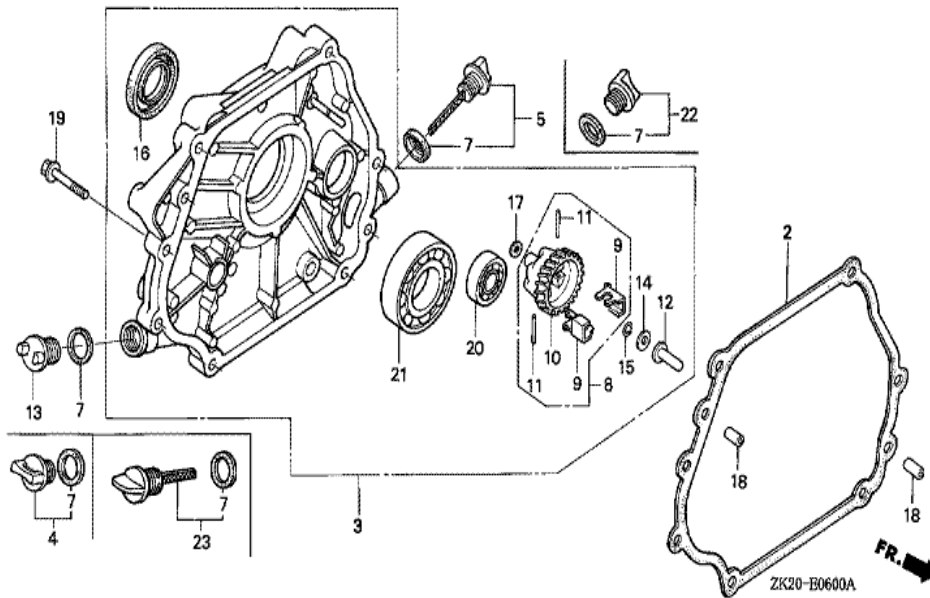
Ref	Partnumber	Description	GX240K1	Serial Numbers
001	87522-ZH9-010	LABEL, CAUTION (ENGLISH, ETC.)	1	
001	87522-ZH9-010	LABEL, CAUTION (ENGLISH, ETC.)	1	
002	87521-ZE2-W01	EMBLEM (GX240 HONDA 8.0)	1	3117235
002	87521-ZE2-W01	EMBLEM (GX240 HONDA 8.0)	1	4192760
002	87521-ZE2-W02	EMBLEM (GX240 HONDA 8.0)	1	4465232
002	87521-ZE2-W02	EMBLEM (GX240 HONDA 8.0)	1	4192761
007	87528-ZE2-810	MARK, CHOKE (ORANGE)	1	3165403
007	87528-ZE2-810	MARK, CHOKE (ORANGE)	1	
012	87532-ZH8-810	MARK, OIL ALERT (ENGLISH)	1	3116815
012	87532-ZH8-810	MARK, OIL ALERT (ENGLISH)	1	3302521
019	87532-ZB4-H50	MARK, OIL ALERT (FRENCH)	1	3171791
020	87532-ZB4-G60	MARK, OIL ALERT (GERMAN)	1	



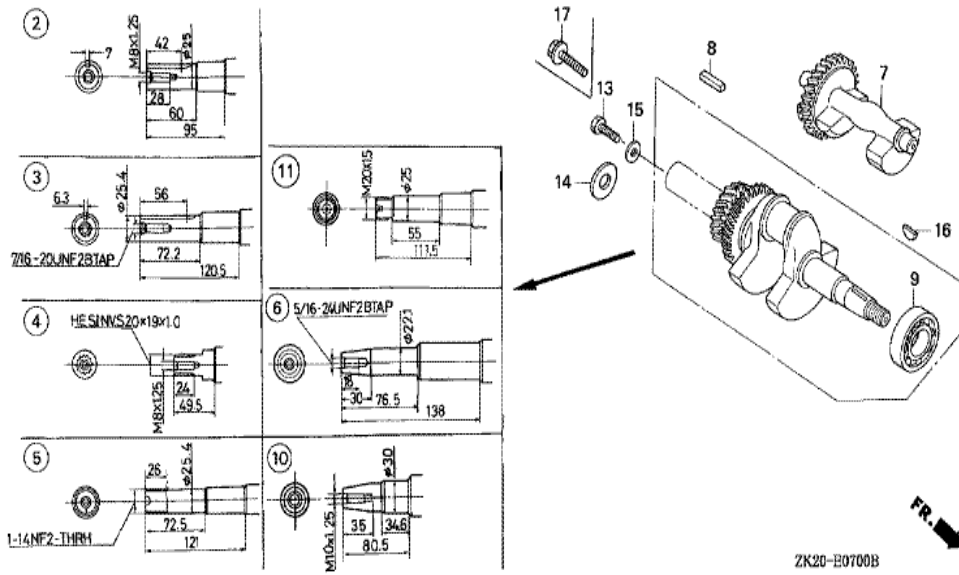
Ref	Partnumber	Description	GX240K1	Serial Numbers
013	89218-ZE1-000	WRENCH COMP., SPARK PLUG	1	
013	89218-ZE1-000	WRENCH COMP., SPARK PLUG	(1)	



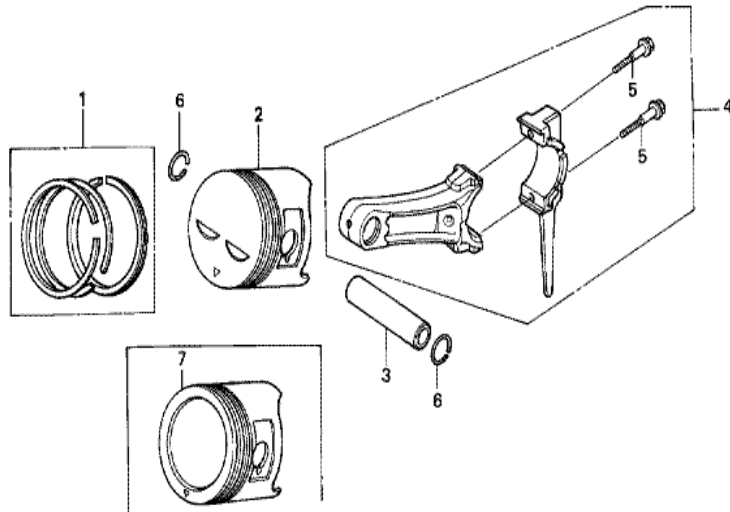
<u>Ref</u>	<u>Partnumber</u>	<u>Description</u>	<u>GX240K1</u>	<u>Serial Numbers</u>
001	12000-ZE2-834	BARREL ASSY., CYLINDER (BALANCER+ALERT)	1	4081304
001	12000-ZE2-834	BARREL ASSY., CYLINDER (BALANCER+ALERT)	1	4081304
001	12000-ZE2-835	BARREL ASSY., CYLINDER (BALANCER+ALERT)	1	4081305
001	12000-ZE2-835	BARREL ASSY., CYLINDER (BALANCER+ALERT)	1	4081305
002	15510-ZE2-043	SWITCH ASSY., OIL LEVEL	1	
003	16541-ZE2-010	SHAFT, GOVERNOR ARM	1	
004	32197-ZE2-003	SUB HARNESS	1	3566259
004	32197-ZE2-003	SUB HARNESS	1	3566259
005	90013-883-000	BOLT, FLANGE, 6X12 (CT200)	1	3116815 3566259
005	90013-883-000	BOLT, FLANGE, 6X12 (CT200)	1	3566259
006	90131-883-000	BOLT, DRAIN PLUG, 12X15	2	
007	90446-KE1-000	WASHER, 8.2X17X0.8	1	
008	94109-12000	WASHER, DRAIN PLUG, 12MM	2	
<u>Ref</u>	<u>Partnumber</u>	<u>Description</u>	<u>GX240K1</u>	<u>Serial Numbers</u>
010	91201-890-003	OIL SEAL, 30X46X8	1	
012	91353-671-004	O-RING, 14MM (NOK)	1	
013	94050-10000	NUT, FLANGE, 10MM	1	
014	94251-10000	PIN, LOCK, 10MM	1	3332422
014	94251-10000	PIN, LOCK, 10MM	1	
015	95701-0601200	BOLT, FLANGE, 6X12	2	
016	96100-6202000	BEARING, RADIAL BALL, 6202	1	
017	90013-883-000	BOLT, FLANGE, 6X12 (CT200)	(1)	
017	90013-883-000	BOLT, FLANGE, 6X12 (CT200)	1	3684579
018	34150-ZH7-003	ALERT UNIT, OIL	(1)	4853039
018	34150-ZH7-003	ALERT UNIT, OIL	1	3684579



<u>Ref</u>	<u>Partnumber</u>	<u>Description</u>	<u>GX240K1</u>	<u>Serial Numbers</u>
002	11381-ZE2-801	PACKING, CASE COVER	1	3634565
003	11400-ZE2-601	COVER ASSY., CRANKCASE	1	4211335
003	11400-ZE2-601	COVER ASSY., CRANKCASE	1	4211335
003	11400-ZE2-602	COVER ASSY., CRANKCASE	1	4211336
003	11400-ZE2-602	COVER ASSY., CRANKCASE	1	4211336
004	15600-ZG4-003	CAP ASSY., OIL FILLER	1	3634565
005	15600-735-003	CAP ASSY., OIL FILLER	1	3634565
007	15625-ZE1-003	PACKING, OIL FILLER CAP	1	
007	15625-ZE1-003	PACKING, OIL FILLER CAP	2	
008	16510-ZE2-811	GOVERNOR ASSY.	1	3156815
008	16510-ZE2-811	GOVERNOR ASSY.	1	
009	16511-ZE2-000	WEIGHT, GOVERNOR	2	3634565
010	16512-ZE2-811	HOLDER, GOVERNOR WEIGHT	1	3156815
<u>Ref</u>	<u>Partnumber</u>	<u>Description</u>	<u>GX240K1</u>	<u>Serial Numbers</u>
010	16512-ZE2-811	HOLDER, GOVERNOR WEIGHT	1	
011	16513-ZE2-000	PIN, GOVERNOR WEIGHT	2	3634565
012	16531-Z0A-000	SLIDER, GOVERNOR	1	
012	16531-ZE2-000	SLIDER, GOVERNOR	1	4211335
012	16531-ZE2-000	SLIDER, GOVERNOR	1	4211335
014	90473-147-000	WASHER, 6X16	1	4211336
014	90473-147-000	WASHER, 6X16	1	4211336
015	90602-896-000	CLIP, GOVERNOR HOLDER	(1)	
015	90602-ZE1-000	CLIP, GOVERNOR HOLDER	1	3634565
015	90602-ZE1-000	CLIP, GOVERNOR HOLDER	1	
016	91201-890-003	OIL SEAL, 30X46X8	1	3634565
016	91201-890-003	OIL SEAL, 30X46X8	1	
017	94101-06800	WASHER, PLAIN, 6MM	1	3634565
018	90701-HC4-000	DOWEL PIN, 8X12	2	3634565
019	95701-0803500	BOLT, FLANGE, 8X35	7	3634565
020	96100-6202000	BEARING, RADIAL BALL, 6202	1	
021	96100-6206000	BEARING, RADIAL BALL, 6206	1	3634565



Ref	Partnumber	Description	GX240K1	Serial Numbers
006	13320-ZE2-671	CRANKSHAFT COMP.	1	4773271
006	13320-ZE2-671	CRANKSHAFT COMP.	1	
007	13351-ZE2-010	WEIGHT, BALANCER	1	
009	96100-6206000	BEARING, RADIAL BALL, 6206	1	
016	90741-ZE2-000	KEY, SPECIAL WOODRUFF, 25X18	1	
016	90741-ZE2-000	KEY, SPECIAL WOODRUFF, 25X18	1	

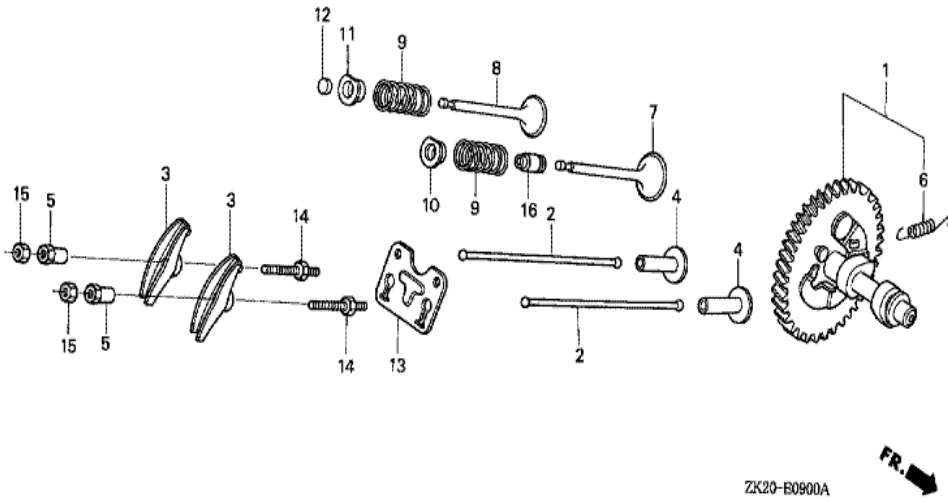


ZK20-E0800A



Ref	Partnumber	Description	GX240K1	Serial Numbers
001	13010-Z5F-004	RING SET, PISTON (STD.) (TEIKOKU)	1	4081305
001	13010-Z5F-004	RING SET, PISTON (STD.) (TEIKOKU)	1	4869815
001	13010-ZE2-013	RING SET, PISTON (STD.) (NIPPON)	1	4081304
001	13010-ZE2-013	RING SET, PISTON (STD.) (NIPPON)	1	4081304
001	13010-ZE2-014	RING SET, PISTON (STD.) (TEIKOKU)	1	4081304
001	13010-ZE2-014	RING SET, PISTON (STD.) (TEIKOKU)	1	4081304
001	13010-ZE2-921	RING SET, PISTON (STD.) (TEIKOKU)	1	4869814
001	13010-ZE2-921	RING SET, PISTON (STD.) (TEIKOKU)	1	4081305
001	13010-ZE2-922	RING SET, PISTON (STD.) (NIPPON)	1	
001	13010-ZE2-922	RING SET, PISTON (STD.) (NIPPON)	1	4081305
001	13011-ZE2-013	RING SET, PISTON (0.25) (NIPPON)	(1)	4081304
001	13011-ZE2-013	RING SET, PISTON (0.25) (NIPPON)	(1)	4081304
001	13011-ZE2-014	RING SET, PISTON (0.25) (TEIKOKU)	(1)	

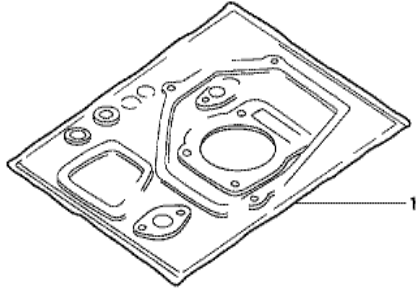
<u>Ref</u>	<u>Partnumber</u>	<u>Description</u>	<u>GX240K1</u>	<u>Serial Numbers</u>
001	13011-ZE2-014	RING SET, PISTON (0.25) (TEIKOKU)	(1)	4081304
001	13011-ZE2-921	RING SET, PISTON (0.25) (TEIKOKU)	(1)	
001	13011-ZE2-921	RING SET, PISTON (0.25) (TEIKOKU)	(1)	4081305
001	13011-ZE2-922	RING SET, PISTON (0.25) (NIPPON)	(1)	4081305
001	13011-ZE2-922	RING SET, PISTON (0.25) (NIPPON)	(1)	4081305
001	13012-ZE2-013	RING SET, PISTON (0.50) (NIPPON)	(1)	
001	13012-ZE2-013	RING SET, PISTON (0.50) (NIPPON)	(1)	4081304
001	13012-ZE2-014	RING SET, PISTON (0.50) (TEIKOKU)	(1)	
001	13012-ZE2-014	RING SET, PISTON (0.50) (TEIKOKU)	(1)	4081304
001	13012-ZE2-921	RING SET, PISTON (0.50) (TEIKOKU)	(1)	4081305
001	13012-ZE2-921	RING SET, PISTON (0.50) (TEIKOKU)	(1)	4081305
001	13012-ZE2-922	RING SET, PISTON (0.50) (NIPPON)	(1)	4869814
001	13012-ZE2-922	RING SET, PISTON (0.50) (NIPPON)	(1)	4081305
001	13013-ZE2-013	RING SET, PISTON (0.75) (NIPPON)	(1)	
001	13013-ZE2-013	RING SET, PISTON (0.75) (NIPPON)	(1)	4081304
001	13013-ZE2-014	RING SET, PISTON (0.75) (TEIKOKU)	(1)	4081304
001	13013-ZE2-014	RING SET, PISTON (0.75) (TEIKOKU)	(1)	4081304
001	13013-ZE2-921	RING SET, PISTON (0.75) (TEIKOKU)	(1)	
001	13013-ZE2-921	RING SET, PISTON (0.75) (TEIKOKU)	(1)	4081305
001	13013-ZE2-922	RING SET, PISTON (0.75) (NIPPON)	(1)	
001	13013-ZE2-922	RING SET, PISTON (0.75) (NIPPON)	(1)	4081305
002	13101-ZE2-W00	PISTON (STD.)	1	4869814
002	13102-ZE2-W00	PISTON (0.25)	(1)	
002	13102-ZE2-W00	PISTON (0.25)	(1)	
002	13103-ZE2-W00	PISTON (0.50)	(1)	4869814
002	13103-ZE2-W00	PISTON (0.50)	(1)	
002	13104-ZE2-W00	PISTON (0.75)	(1)	
002	13104-ZE2-W00	PISTON (0.75)	(1)	
003	13111-ZE2-000	PIN, PISTON	1	
004	13200-ZE2-010	ROD ASSY., CONNECTING (STD.)	1	
004	13200-ZE2-305	ROD ASSY., CONNECTING (0.25 UNDER SIZE)	(1)	
004	13200-ZE2-305	ROD ASSY., CONNECTING (0.25 UNDER SIZE)	(1)	
005	90001-ZE8-000	BOLT, CONNECTING ROD	2	
<u>Ref</u>	<u>Partnumber</u>	<u>Description</u>	<u>GX240K1</u>	<u>Serial Numbers</u>
006	90551-ZE1-000	CLIP, PISTON PIN, 18MM	2	



ZK20-E0900A



<u>Ref</u>	<u>Partnumber</u>	<u>Description</u>	<u>GX240K1</u>	<u>Serial Numbers</u>
001	14100-ZE2-W00	CAMSHAFT ASSY.	1	3620688
001	14100-ZE2-W00	CAMSHAFT ASSY.	1	3620688
001	14100-ZE2-W01	CAMSHAFT ASSY.	1	3620689
001	14100-ZE2-W01	CAMSHAFT ASSY.	1	3620689
002	14410-ZE2-013	ROD, PUSH	2	
003	14431-ZE2-010	ARM, VALVE ROCKER	2	
003	14431-ZE2-010	ARM, VALVE ROCKER	2	
004	14441-ZE2-000	LIFTER, VALVE	2	
005	14451-ZE1-013	PIVOT, ROCKER ARM	2	
006	14568-ZE1-000	SPRING, WEIGHT RETURN	1	
007	14711-ZE2-000	VALVE, IN.	1	
008	14721-ZE2-000	VALVE, EX.	1	
009	14751-ZE2-003	SPRING, VALVE	2	
<u>Ref</u>	<u>Partnumber</u>	<u>Description</u>	<u>GX240K1</u>	<u>Serial Numbers</u>
010	14771-ZE2-000	RETAINER, IN. VALVE SPRING	1	
011	14773-ZE2-000	RETAINER, EX. VALVE SPRING	1	
011	14773-ZE2-000	RETAINER, EX. VALVE SPRING	1	
012	14781-ZE2-000	ROTATOR, VALVE	1	
013	14791-ZE2-010	GUIDE, PUSH ROD	1	
014	90012-ZE0-010	BOLT, PIVOT, 8MM	2	
015	90206-ZE1-000	NUT, PIVOT ADJUSTING	2	
016	12209-ZE8-003	SEAL, VALVE STEM	1	4081305
016	12209-ZE8-003	SEAL, VALVE STEM	1	4081305



HENG-X0003

<u>Ref</u>	<u>Partnumber</u>	<u>Description</u>	<u>GX240K1</u>	<u>Serial Numbers</u>
001	061A1-ZE2-040	GASKET KIT	1	4045100
001	061A1-ZE2-040	GASKET KIT	1	4045100