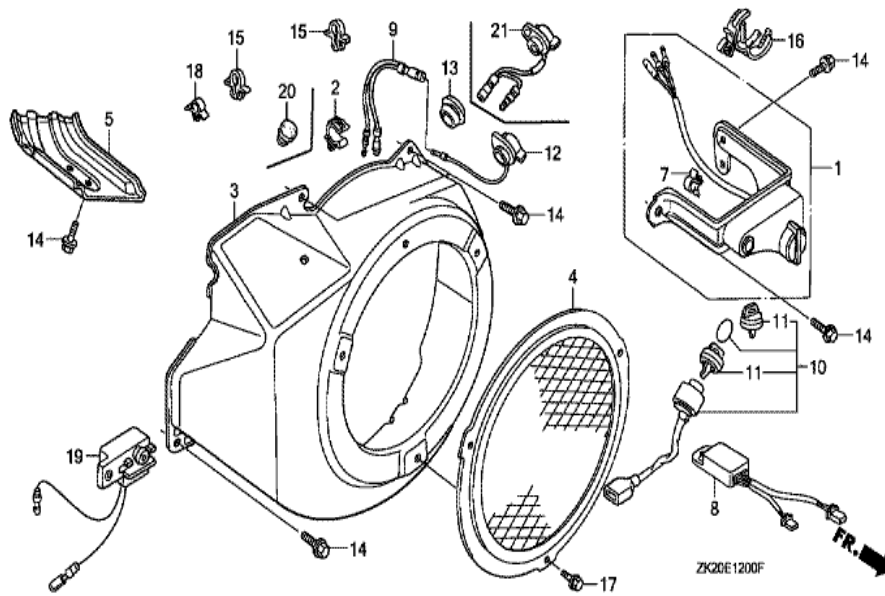




ZK20-E1100A

FR. →

<u>Ref</u>	<u>Partnumber</u>	<u>Description</u>	<u>GX240K1</u>	<u>Serial Numbers</u>
001	28400-ZE2-W01ZA	STARTER ASSY., RECOIL *R8 *	1	
002	28410-ZE2-W01ZA	CASE COMP., RECOIL STARTER *R8 *	1	
003	28421-ZE2-W01	PULLEY, RECOIL STARTER	1	
004	28422-ZE2-W01	RATCHET, STARTER	2	
005	28441-ZE2-W01	SPRING, FRICTION	1	
006	28442-ZE2-W01	SPRING, STARTER RETURN	1	
007	28443-ZE2-W01	SPRING, RATCHET	2	
008	28444-ZE2-W01	RETAINER, SPRING	1	
010	28461-ZE2-W02	GRIP, STARTER	1	4914022
011	28462-ZE2-W01	ROPE, RECOIL STARTER	1	3793540
012	28469-ZE2-W01	REINFORCEMENT, GRIP	1	
013	90004-ZE2-W01	SCREW, CENTER	1	
014	95701-0600800	BOLT, FLANGE, 6X8	3	
<u>Ref</u>	<u>Partnumber</u>	<u>Description</u>	<u>GX240K1</u>	<u>Serial Numbers</u>
014	95701-0600800	BOLT, FLANGE, 6X8	3	



Ref	Partnumber	Description	GX240K1	Serial Numbers
002	16731-ZE2-003	CLIP, TUBE	1	
003	19610-ZE2-010ZA	COVER COMP., FAN *R8 *	1	
005	19631-ZE2-D00	SHROUD	1	
013	81329-567-020	GROMMET, DRAIN HOLE	1	3116814
013	81329-567-020	GROMMET, DRAIN HOLE	1	
014	90013-883-000	BOLT, FLANGE, 6X12 (CT200)	8	3116814
014	90013-883-000	BOLT, FLANGE, 6X12 (CT200)	6	3116815

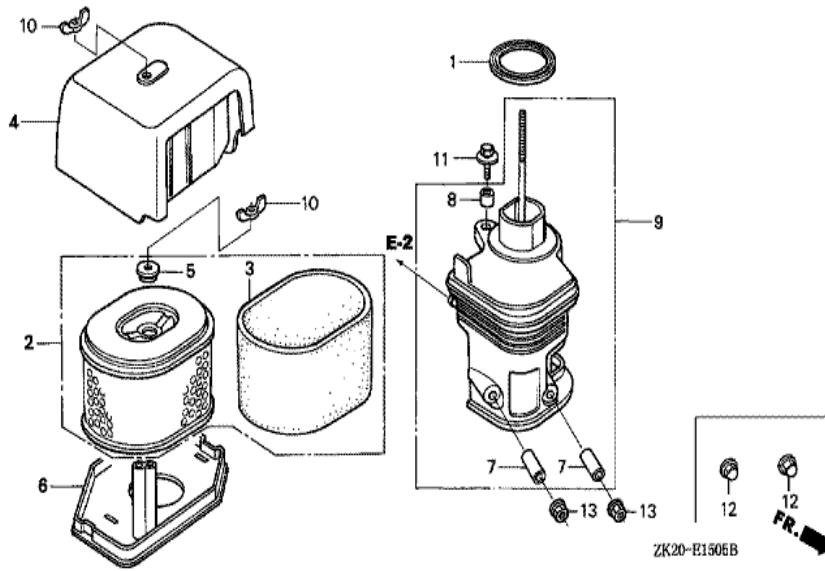


FR. →

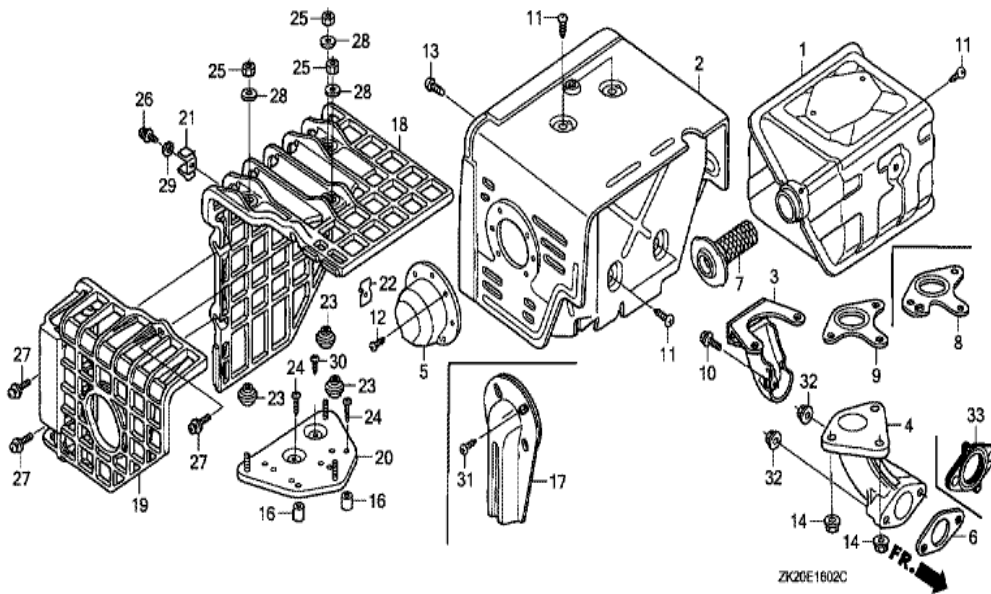
ZK20E1403E

Ref	Partnumber	Description	GX240K1	Serial Numbers
001	16010-ZE2-812	GASKET SET	1	
002	16011-ZA0-931	VALVE SET, FLOAT	1	
003	16013-ZA0-931	FLOAT SET	1	
004	16015-ZE2-005	CHAMBER SET, FLOAT	(1)	BE15G A
004	16015-ZE2-005	CHAMBER SET, FLOAT	1	BE15G A
005	16016-ZE0-005	SCREW SET, PILOT	(1)	
006	16028-ZE0-005	SCREW SET	1	
007	16044-ZE2-005	CHOKE SET	1	
008	16100-ZE2-W30	CARBURETOR ASSY. (BE15G A)	1	
008	16100-ZE2-W30	CARBURETOR ASSY. (BE15G A)	1	3453255
008	16100-ZE2-W31	CARBURETOR ASSY. (BE15G B)	1	3453256
008	16100-ZE2-W31	CARBURETOR ASSY. (BE15G B)	1	3453256
009	16124-ZE0-005	SCREW, THROTTLE STOP	1	

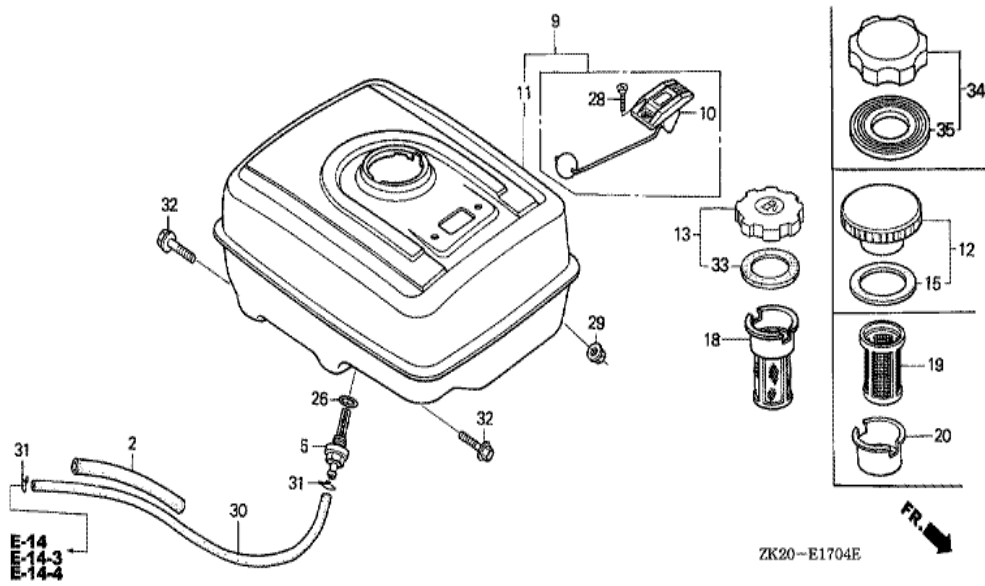
<u>Ref</u>	<u>Partnumber</u>	<u>Description</u>	<u>GX240K1</u>	<u>Serial Numbers</u>
010	16166-ZE2-015	NOZZLE, MAIN	1	
011	16173-001-004	PACKING, FUEL STRAINER CUP	(1)	
012	16211-ZE2-000	INSULATOR, CARBURETOR	1	4926607
013	16220-ZA0-702	SPACER COMP., CARBURETOR	1	
014	16221-ZA0-800	PACKING, CARBURETOR	(1)	
014	16221-ZA0-800	PACKING, CARBURETOR	1	
015	16223-ZA0-800	PACKING, INSULATOR	1	3151975
015	16223-ZA0-800	PACKING, INSULATOR	1	
016	16610-ZE1-000	LEVER COMP., CHOKE (STD.)	1	
017	16953-ZE1-811	LEVER, COCK	1	BE16D A
017	16953-ZE1-811	LEVER, COCK	1	BE15G A
017	16953-ZE1-812	LEVER, COCK	1	BE16D B
017	16953-ZE1-812	LEVER, COCK	1	BE15G B
018	16954-ZE1-812	PLATE, LEVER SETTING	1	BE70A B
019	16956-ZE1-811	SPRING, COCK LEVER	(1)	
020	16957-ZE1-812	PACKING, FUEL COCK	1	
021	16967-ZE0-811	CUP, FUEL STRAINER	1	
022	93500-030061H	SCREW, PAN, 3X6	2	BE16D B
022	93500-030081G	SCREW, PAN, 3X8	2	BE15G A
022	93500-030081G	SCREW, PAN, 3X8	2	BE15G A
023	94305-20122	PIN, SPRING, 2X12	1	
024	99101-ZF50800	JET, MAIN, #80	(1)	BE15G A
024	99101-ZF50800	JET, MAIN, #80	(1)	BE15G A
024	99101-ZF50820	JET, MAIN, #82	(1)	BE15G A
024	99101-ZF50820	JET, MAIN, #82	(1)	BE15G A
024	99101-ZF50850	JET, MAIN, #85	1	BE15G A
024	99101-ZF50850	JET, MAIN, #85	1	BE15G A
024	99101-ZH80800	JET, MAIN, #80	(1)	BE15G B
024	99101-ZH80800	JET, MAIN, #80	(1)	BE15G B
024	99101-ZH80820	JET, MAIN, #82	(1)	BE15G B
024	99101-ZH80820	JET, MAIN, #82	(1)	BE15G B
024	99101-ZH80850	JET, MAIN, #85	1	BE15G B BE15G B
024	99101-ZH80850	JET, MAIN, #85	1	BE15G B
<u>Ref</u>	<u>Partnumber</u>	<u>Description</u>	<u>GX240K1</u>	<u>Serial Numbers</u>
025	99204-ZE20380	JET SET, PILOT, #38	1	
025	99204-ZE20380	JET SET, PILOT, #38	1	
028	16015-ZE8-005	CHAMBER SET, FLOAT	1	BE70B B
028	16015-ZE8-005	CHAMBER SET, FLOAT	1	BE15G B



<u>Ref</u>	<u>Partnumber</u>	<u>Description</u>	<u>GX240K1</u>	<u>Serial Numbers</u>
001	16271-ZE2-000	PACKING, ELBOW	1	
002	17210-ZE3-010	ELEMENT, AIR CLEANER	1	
003	17218-ZE3-000	FILTER, OUTER	1	
004	17231-ZH9-N00	COVER, AIR CLEANER (100DB)	1	
005	17232-891-000	GROMMET, AIR CLEANER	1	
006	17235-ZH9-N00	NOSE, SILENCER	1	
007	17238-ZE2-310	COLLAR, AIR CLEANER	2	
008	17239-ZE1-000	COLLAR B, AIR CLEANER	1	
009	17410-ZH9-N00	ELBOW COMP., AIR CLEANER	1	
010	90325-044-000	NUT, TOOL BOX SETTING	2	
011	93494-0602008	BOLT-WASHER, 6X20	1	
011	93494-0602008	BOLT-WASHER, 6X20	1	
012	90201-415-000	NUT, CAP, 6MM	2	3165927
<u>Ref</u>	<u>Partnumber</u>	<u>Description</u>	<u>GX240K1</u>	<u>Serial Numbers</u>
013	94050-06000	NUT, FLANGE, 6MM	2	3165928
013	94050-06000	NUT, FLANGE, 6MM	2	3165928



<u>Ref</u>	<u>Partnumber</u>	<u>Description</u>	<u>GX240K1</u>	<u>Serial Numbers</u>
001	18310-ZE2-W61	MUFFLER COMP. (100DB)	1	
002	18320-ZE2-W61	PROTECTOR COMP., MUFFLER	1	
004	18330-ZH9-N00	PIPE, EX.	1	
006	18333-ZE3-800	GASKET, EX. PIPE	1	3486453
006	18333-ZK6-Y00	GASKET, EX. PIPE	1	3486454
006	18333-ZK6-Y00	GASKET, EX. PIPE	1	3486454
007	18355-ZE2-W00	ARRESTER, SPARK	1	
007	18355-ZE2-W00	ARRESTER, SPARK	1	
008	18381-ZE2-W10	GASKET, MUFFLER (ARRESTER) (NIPPON LEAKL	1	
008	18381-ZE2-W10	GASKET, MUFFLER (ARRESTER) (NIPPON LEAKL	1	
011	90050-ZE1-000	SCREW, TAPPING, 5X8	4	
011	90050-ZE1-000	SCREW, TAPPING, 5X8	5	
013	90006-ZE2-000	SCREW, TAPPING, 6X10	(1)	3151975
<u>Ref</u>	<u>Partnumber</u>	<u>Description</u>	<u>GX240K1</u>	<u>Serial Numbers</u>
013	93901-360J0	SCREW, TAPPING, 6X10	1	3151974
013	93901-360J0	SCREW, TAPPING, 6X10	1	3151974
014	94050-08000	NUT, FLANGE, 8MM	3	
032	94050-08000	NUT, FLANGE, 8MM	2	



Ref	Partnumber	Description	GX240K1	Serial Numbers
002	16854-ZE1-000	RUBBER, SUPPORTER (107MM)	1	3033265
002	16854-ZH8-000	RUBBER, SUPPORTER (107MM)	1	3411798
002	16854-ZH8-000	RUBBER, SUPPORTER (107MM)	1	3033266
005	16955-ZE1-000	JOINT, FUEL TANK	1	
011	17510-ZE2-010ZA	TANK COMP., FUEL *NH31 *	1	
012	17620-ZE2-W00	CAP COMP., FUEL FILLER (CHROME PLATED)	1	4495553
012	17620-ZE2-W00	CAP COMP., FUEL FILLER (CHROME PLATED)	1	3254423
013	17620-ZH7-023	CAP COMP., FUEL FILLER (BLACK)	(1)	3254424
013	17620-ZH7-023	CAP COMP., FUEL FILLER (BLACK)	1	3254424
015	17631-329-003	PACKING, FUEL FILLER CAP (39X58X3)	1	
015	17631-329-003	PACKING, FUEL FILLER CAP (39X58X3)	1	3254423
026	91353-671-004	O-RING, 14MM (NOK)	1	
029	94050-08000	NUT, FLANGE, 8MM	2	
Ref	Partnumber	Description	GX240K1	Serial Numbers
030	95001-4522240	TUBE, FUEL, 4.5X222 (95001-45001-60M)	1	
031	95002-02080	CLIP, TUBE (B8)	2	
032	95701-0802500	BOLT, FLANGE, 8X25	2	
032	95701-0802500	BOLT, FLANGE, 8X25	2	
033	17631-ZH7-003	PACKING, FUEL FILLER CAP (39X58X3)	1	4495553
033	17631-ZH7-003	PACKING, FUEL FILLER CAP (39X58X3)	1	3254424



Ref	Partnumber	Description	GX240K1	Serial Numbers
002	19511-ZE2-000	FAN, COOLING	1	
004	28450-ZE2-W11	PULLEY COMP., STARTER (SCREEN GRID)	1	
011	31100-ZE2-822	FLYWHEEL COMP. (STARTER MOTOR)	1	
013	90201-ZE3-790	NUT, SPECIAL, 16MM	1	3467138
013	90201-ZE3-790	NUT, SPECIAL, 16MM	1	4835166
013	90201-ZE3-V00	NUT, SPECIAL, 16MM	1	
013	90201-ZE3-V00	NUT, SPECIAL, 16MM	1	3467139



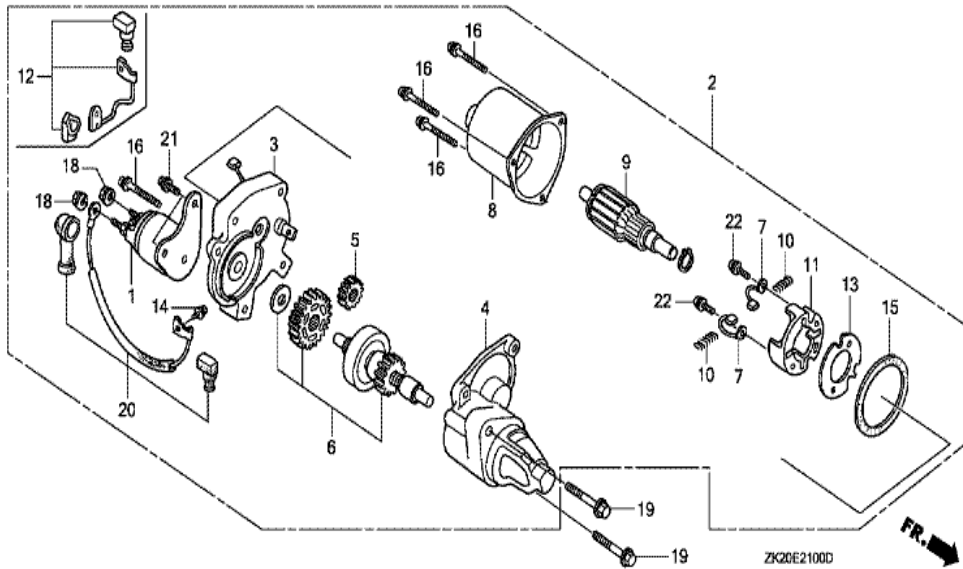


Ref	Partnumber	Description	GX240K1	Serial Numbers
001	12200-ZH9-000	HEAD COMP., CYLINDER	1	
002	12204-ZE2-306	GUIDE, IN. VALVE (O.S.)	1	
003	12205-ZE2-305	GUIDE, EX. VALVE (OS)	1	
004	12216-ZE2-300	CLIP, VALVE GUIDE	1	
005	12251-ZE2-800	GASKET, CYLINDER HEAD	1	
006	12310-ZE2-010	COVER COMP., HEAD	1	3146326
006	12310-ZE2-010	COVER COMP., HEAD	1	3146326
006	12310-ZE2-020	COVER COMP., HEAD	1	3146327
006	12310-ZE2-020	COVER COMP., HEAD	1	3146327
007	12391-ZE2-020	PACKING, HEAD COVER	1	
008	14775-ZE2-010	SEAT, VALVE SPRING	1	
011	90014-ZE2-000	BOLT, HEAD COVER	1	
012	90042-ZE2-000	BOLT, STUD, 8X123	2	

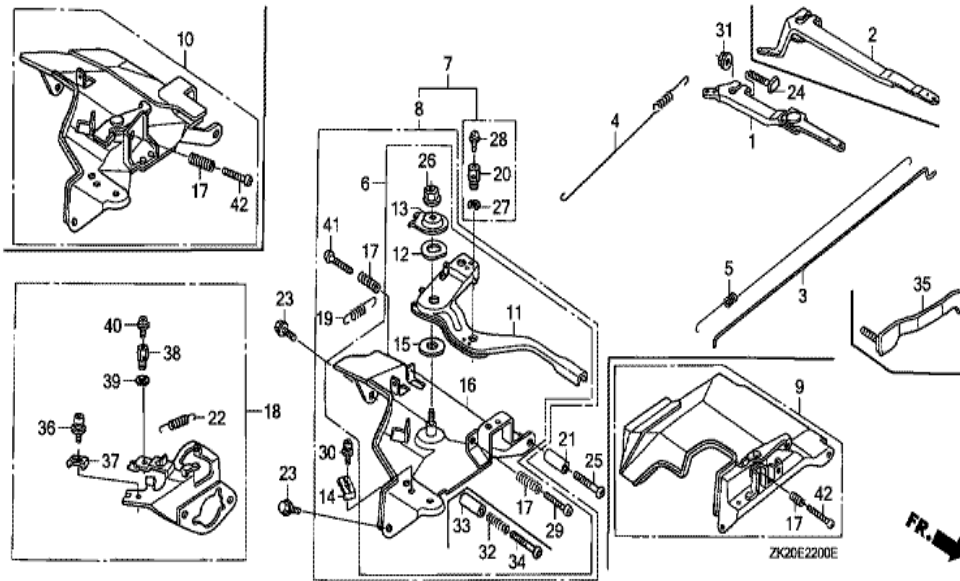
<u>Ref</u>	<u>Partnumber</u>	<u>Description</u>	<u>GX240K1</u>	<u>Serial Numbers</u>
012	90042-ZE2-000	BOLT, STUD, 8X123	2	
013	90047-ZE2-000	BOLT, STUD, 8X47	2	
013	90047-ZE2-000	BOLT, STUD, 8X47	2	
014	90441-ZE2-010	WASHER COMP., HEAD COVER	1	
015	94301-12200	DOWEL PIN, 12X20	2	
017	95005-1110030	TUBE, 11X100 (95005-11001-30M)	1	
017	95005-1110030	TUBE, 11X100 (95005-11001-30M)	1	3454868
017	95005-1110530	TUBE, 11X105 (95005-11001-30M)	1	3454867
017	95005-1110530	TUBE, 11X105 (95005-11001-30M)	1	3454867
018	95725-1008000	BOLT, FLANGE, 10X80	4	4847591
018	95725-1008000	BOLT, FLANGE, 10X80	4	
019	98079-55846	PLUG, SPARK (BPR5ES) (NGK)	1	
019	98079-55846	PLUG, SPARK (BPR5ES) (NGK)	(1)	
019	98079-55855	PLUG, SPARK (W16EPR-U) (DENSO)	1	
019	98079-55855	PLUG, SPARK (W16EPR-U) (DENSO)	(1)	
019	98079-56846	PLUG, SPARK (BPR6ES) (NGK)	1	3860625
019	98079-56846	PLUG, SPARK (BPR6ES) (NGK)	1	
019	98079-56855	PLUG, SPARK (W20EPR-U) (DENSO)	1	
019	98079-56855	PLUG, SPARK (W20EPR-U) (DENSO)	1	



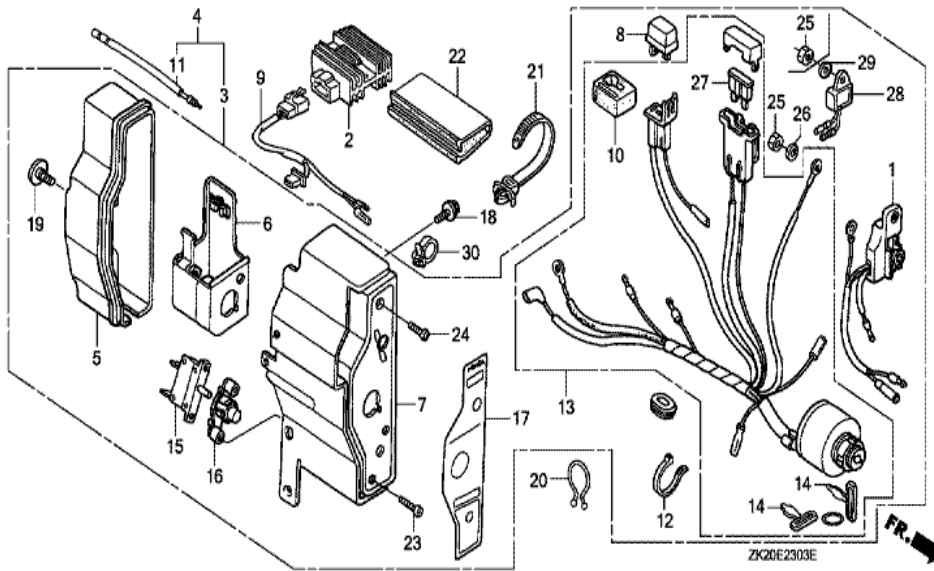
Ref	Partnumber	Description	GX240K1	Serial Numbers
001	30500-ZF6-W02	COIL ASSY., IGNITION	1	
001	30500-ZF6-W02	COIL ASSY., IGNITION	1	
003	30700-ZE1-013	CAP ASSY., NOISE SUPPRESSOR (NICHIIWA Y-E	1	3860625
006	31511-ZE2-000	CLAMPER, CORD	1	
007	31512-ZE2-000	GROMMET, CORD	1	
008	31630-ZE1-003	COIL ASSY., CHARGE (1A)	1	
011	36101-ZE1-010	CORD, STOP SWITCH (370MM)	1	
012	36103-ZE1-000	HOLDER, STOP SWITCH CORD	1	
012	36103-ZE1-000	HOLDER, STOP SWITCH CORD	1	
013	90013-883-000	BOLT, FLANGE, 6X12 (CT200)	(1)	
014	90015-883-000	BOLT, FLANGE, 6X28 (CT200)	N	



<u>Ref</u>	<u>Partnumber</u>	<u>Description</u>	<u>GX240K1</u>	<u>Serial Numbers</u>
001	31204-ZA0-003	CONTACTOR ASSY.	1	
002	31210-ZE2-003	MOTOR UNIT, STARTER	1	
002	31210-ZE2-003	MOTOR UNIT, STARTER	1	
003	31211-ZE2-003	BRACKET, CENTER	1	
004	31212-ZE2-003	BRACKET, FR.	1	
005	31213-ZE2-003	GEAR, DRIVE PINION	(1)	
006	31214-ZE2-003	CLUTCH COMP., OVERRUNNING	1	
007	31215-ZE2-003	BRUSH	2	
008	31216-ZE2-003	YOKE COMP.	1	
009	31217-ZE2-003	ARMATURE COMP.	1	
010	31219-ZE2-003	SPRING, BRUSH RETURN	(4)	
011	31231-ZE2-003	HOLDER, BRUSH	1	
013	31233-ZE2-003	INSULATOR	1	
<u>Ref</u>	<u>Partnumber</u>	<u>Description</u>	<u>GX240K1</u>	<u>Serial Numbers</u>
014	90110-ZE2-003	SCREW-WASHER, 4X6	1	
015	91601-ZE2-003	PACKING	1	
016	93892-0503218	SCREW-WASHER, 5X32	4	
018	94070-06080	NUT-WASHER, 6MM	2	
019	95701-0804000	BOLT, FLANGE, 8X40	2	
020	31232-ZE2-013	WIRE, WATER COVER	1	4850607
021	90007-ZE2-003	BOLT-WASHER, 5X14	2	
022	31219-ZE3-003	SCREW-WASHER, 4X14	2	

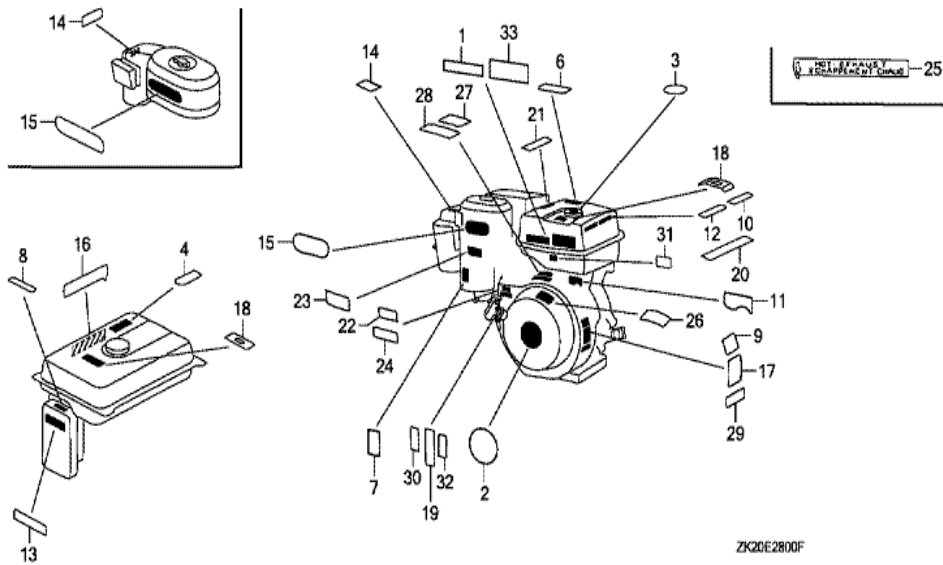


<u>Ref</u>	<u>Partnumber</u>	<u>Description</u>	<u>GX240K1</u>	<u>Serial Numbers</u>
002	16551-ZE2-000	ARM, GOVERNOR	1	
003	16555-ZE2-000	ROD, GOVERNOR	1	
003	16555-ZE2-000	ROD, GOVERNOR	1	
004	16561-ZE2-000	SPRING, GOVERNOR (L=145.0MM) (WIRE DIAME	1	3156815
005	16562-ZE2-000	SPRING, THROTTLE RETURN	1	3337056
008	16570-ZE2-W20	CONTROL ASSY. (REMOTE)	1	
011	16571-ZE2-W00	LEVER, CONTROL	1	
011	16571-ZE2-W00	LEVER, CONTROL	1	
012	16574-ZE1-000	SPRING, LEVER	1	3077713
013	16575-ZE2-W00	WASHER, CONTROL LEVER	1	3454257
014	16576-891-000	HOLDER, CABLE	1	
015	16578-ZE1-000	SPACER, CONTROL LEVER	1	
016	16581-ZE2-W00	BASE COMP., CONTROL (###)	1	3454257
<u>Ref</u>	<u>Partnumber</u>	<u>Description</u>	<u>GX240K1</u>	<u>Serial Numbers</u>
016	16581-ZE2-W00	BASE COMP., CONTROL (###)	1	
017	16584-883-300	SPRING, CONTROL ADJUSTING	(1)	
019	16592-883-310	SPRING, CABLE RETURN	1	
023	90013-883-000	BOLT, FLANGE, 6X12 (CT200)	2	
024	90015-ZE5-010	BOLT, GOVERNOR ARM	1	
026	90114-SA0-000	NUT, SELF-LOCK, 6MM	1	3454257
029	93500-050280A	SCREW, PAN, 5X28	1	3454257
029	93500-050280A	SCREW, PAN, 5X28	1	
030	93500-050160A	SCREW, PAN, 5X16	1	
031	94050-06000	NUT, FLANGE, 6MM	1	



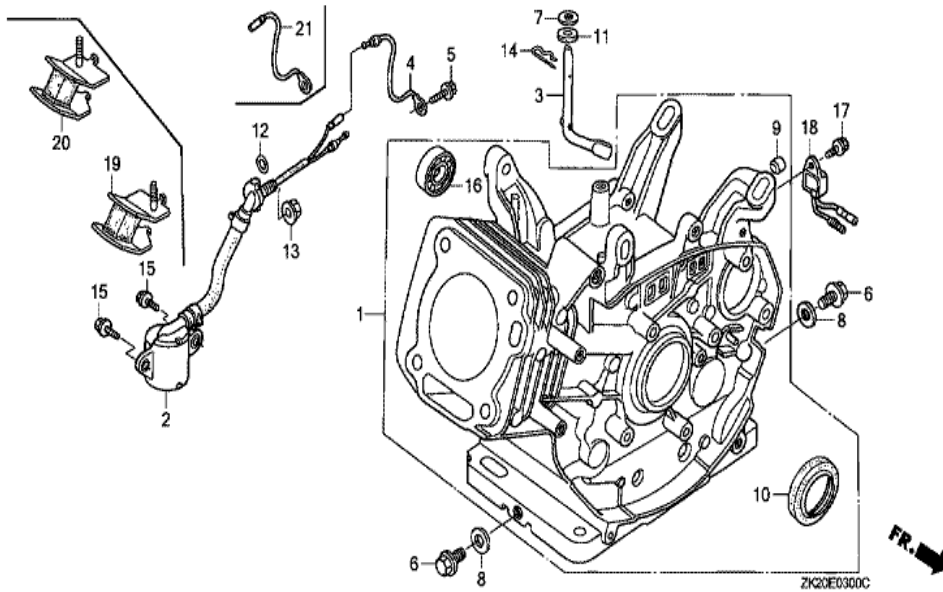
Ref	Partnumber	Description	GX240K1	Serial Numbers
001	15520-ZE2-822	ALERT UNIT, OIL (SEL)	(1)	3116814
001	15520-ZE2-822	ALERT UNIT, OIL (SEL)	1	3116814
003	31610-ZE2-832ZB	BOX ASSY., CONTROL (ALERT) *R8 *	(1)	3116814
003	31610-ZE2-832ZB	BOX ASSY., CONTROL (ALERT) *R8 *	1	3116814
004	31610-ZE2-833ZB	BOX ASSY., CONTROL *R8 *	1	3116815 3684578
004	31610-ZE2-833ZB	BOX ASSY., CONTROL *R8 *	1	3116815
005	31612-ZE2-003	CASE, CONTROL	1	
006	31614-ZE2-003	BRACKET, CASE MOUNTING	1	3320786
007	31615-ZE2-003ZB	PANEL COMP., CONTROL *R8 *	1	4463352
007	31615-ZE2-003ZB	PANEL COMP., CONTROL *R8 *	1	
008	31700-124-008	RECTIFIER ASSY., SILICON (SHINDENGEN)	1	
010	32127-738-700	SUSPENSION, COUPLER	1	
011	32197-ZE1-003	HARNESS, SUB WIRE	1	

<u>Ref</u>	<u>Partnumber</u>	<u>Description</u>	<u>GX240K1</u>	<u>Serial Numbers</u>
011	32197-ZE1-003	HARNESS, SUB WIRE	1	3116815
012	32902-892-003	BAND	1	
013	35100-ZE2-023	SWITCH ASSY., COMBINATION	1	4853656
014	35111-880-003	KEY COMP.	2	
015	38240-VA3-900	PROTECTOR, CIRCUIT (1.0A)	1	
015	38240-VA3-900	PROTECTOR, CIRCUIT (1.0A)	1	
016	38250-ZA8-701	LENS ASSY., PROTECTOR	1	
017	87529-ZE2-811	MARK, CONTROL BOX (EXTERNAL)	1	3116815
017	87529-ZE2-811	MARK, CONTROL BOX (EXTERNAL)	1	3116815
017	87529-ZE2-831	PANEL, CONTROL BOX (EXTERNAL-ALERT)	1	3116814
017	87529-ZE2-831	PANEL, CONTROL BOX (EXTERNAL-ALERT)	1	3116814
018	90013-883-000	BOLT, FLANGE, 6X12 (CT200)	2	3566749
019	90380-MA6-010	SCREW, SPECIAL, 6X12	(1)	
020	90630-751-000	CLIP, PURSE LOCK	1	
021	90672-SA0-003	STRAP, CABLE, 118MM (BLACK)	1	
022	91406-ZE2-003	TUBE, FASTENER, 30MM	1	
023	93500-030120H	SCREW, PAN, 3X12	2	
024	93500-040120H	SCREW, PAN, 4X12	1	3320786
025	94001-043900S	NUT, HEX., 4MM	1	
026	94111-04800	WASHER, SPRING, 4MM	1	3320786
027	98200-30500	FUSE, BLADE (5A)	1	

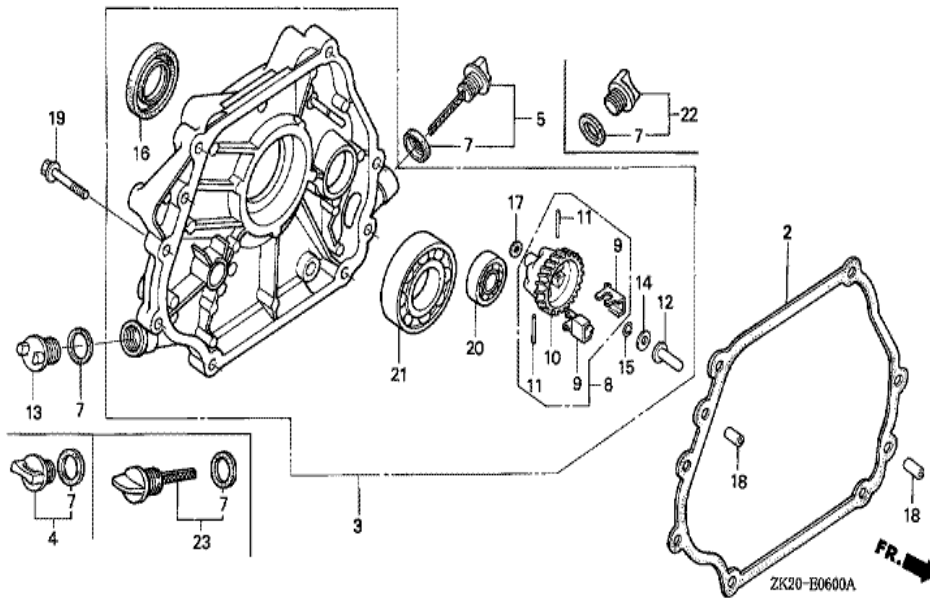


<u>Ref</u>	<u>Partnumber</u>	<u>Description</u>	<u>GX240K1</u>	<u>Serial Numbers</u>
001	87522-ZH9-000	LABEL, CAUTION (ENGLISH, ETC.)	1	3302521
001	87522-ZH9-000	LABEL, CAUTION (ENGLISH, ETC.)	1	
002	87521-ZE2-W01	EMBLEM (GX240 HONDA 8.0)	1	3117235
002	87521-ZE2-W01	EMBLEM (GX240 HONDA 8.0)	1	3117235
003	87522-ZE1-810	MARK, CAUTION	1	3254423
003	87522-ZE1-810	MARK, CAUTION	1	3254423
007	87528-ZE2-810	MARK, CHOKE (ORANGE)	1	3165403
007	87528-ZE2-810	MARK, CHOKE (ORANGE)	1	
009	87530-ZE2-W10	LABEL, SPECIFICATION (EXTERNAL)	1	3165402
009	87530-ZE2-W10	LABEL, SPECIFICATION (EXTERNAL)	1	3165402
010	87532-ZB4-G60	MARK, OIL ALERT (GERMAN)	1	3171791
010	87532-ZB4-G60	MARK, OIL ALERT (GERMAN)	1	3171791
010	87532-ZB4-H50	MARK, OIL ALERT (FRENCH)	(1)	3171791 3481104
<u>Ref</u>	<u>Partnumber</u>	<u>Description</u>	<u>GX240K1</u>	<u>Serial Numbers</u>
010	87532-ZB4-H50	MARK, OIL ALERT (FRENCH)	1	3171791
012	87532-ZH8-810	MARK, OIL ALERT (ENGLISH)	1	3116815 3302521
012	87532-ZH8-810	MARK, OIL ALERT (ENGLISH)	1	3116815

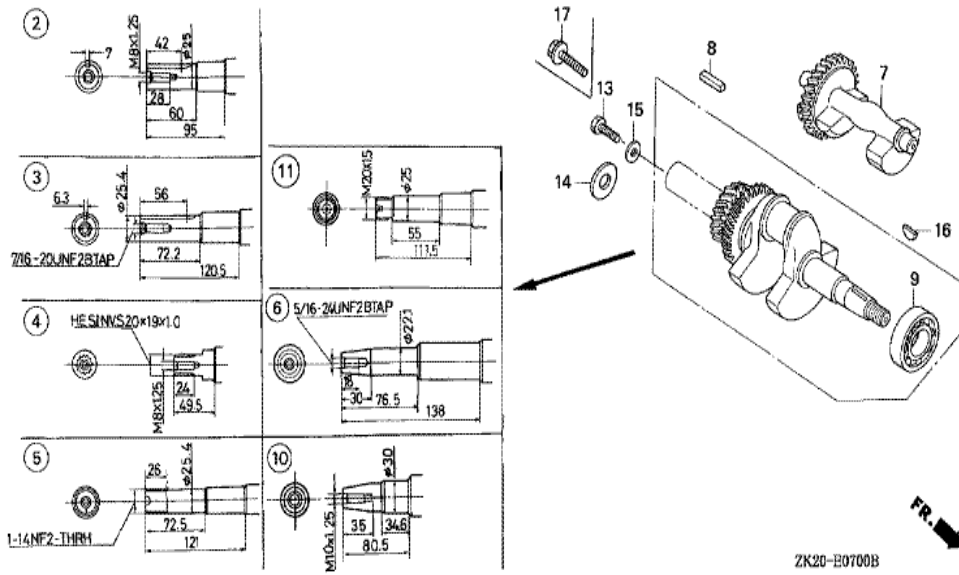




<u>Ref</u>	<u>Partnumber</u>	<u>Description</u>	<u>GX240K1</u>	<u>Serial Numbers</u>
001	12000-ZE2-824	BARREL ASSY., CYLINDER (SELFSTARTER+ALER	1	4081304
001	12000-ZE2-824	BARREL ASSY., CYLINDER (SELFSTARTER+ALER	1	
002	15510-ZE2-043	SWITCH ASSY., OIL LEVEL	1	
003	16541-ZE2-010	SHAFT, GOVERNOR ARM	1	
004	32197-ZE2-003	SUB HARNESS	1	3566259
004	32197-ZE2-003	SUB HARNESS	1	3116815 3566259
005	90013-883-000	BOLT, FLANGE, 6X12 (CT200)	1	3116815 3566259
005	90013-883-000	BOLT, FLANGE, 6X12 (CT200)	1	3116815 3566259
006	90131-883-000	BOLT, DRAIN PLUG, 12X15	2	
007	90446-KE1-000	WASHER, 8.2X17X0.8	1	
008	94109-12000	WASHER, DRAIN PLUG, 12MM	2	
010	91201-890-003	OIL SEAL, 30X46X8	1	
012	91353-671-004	O-RING, 14MM (NOK)	1	
<u>Ref</u>	<u>Partnumber</u>	<u>Description</u>	<u>GX240K1</u>	<u>Serial Numbers</u>
013	94050-10000	NUT, FLANGE, 10MM	1	
014	94251-08000	PIN, LOCK, 8MM	1	3332421
014	94251-10000	PIN, LOCK, 10MM	1	3332422
014	94251-10000	PIN, LOCK, 10MM	1	3332422
015	95701-0601200	BOLT, FLANGE, 6X12	2	

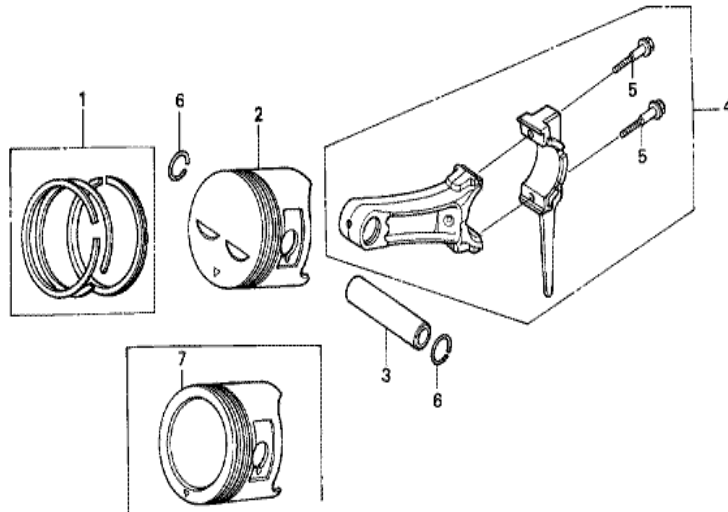


<u>Ref</u>	<u>Partnumber</u>	<u>Description</u>	<u>GX240K1</u>	<u>Serial Numbers</u>
002	11381-ZE2-801	PACKING, CASE COVER	1	3634565
003	11300-ZE2-000	COVER ASSY., CRANKCASE	1	
004	15600-ZG4-003	CAP ASSY., OIL FILLER	1	3634565
004	15600-ZG4-003	CAP ASSY., OIL FILLER	1	2901133
005	15600-735-003	CAP ASSY., OIL FILLER	1	3634565
007	15625-ZE1-003	PACKING, OIL FILLER CAP	1	
007	15625-ZE1-003	PACKING, OIL FILLER CAP	2	
008	16510-ZE2-000	GOVERNOR ASSY.	1	3634565
009	16511-ZE2-000	WEIGHT, GOVERNOR	2	3634565
010	16512-ZE2-000	HOLDER, GOVERNOR WEIGHT	1	3634565
011	16513-ZE2-000	PIN, GOVERNOR WEIGHT	2	3634565
012	16531-Z0A-000	SLIDER, GOVERNOR	1	
012	16531-Z0A-000	SLIDER, GOVERNOR	1	
<u>Ref</u>	<u>Partnumber</u>	<u>Description</u>	<u>GX240K1</u>	<u>Serial Numbers</u>
013	15620-ZG4-910	CAP, OIL FILLER	1	3210413
014	90473-147-000	WASHER, 6X16	1	3191475
014	90473-147-000	WASHER, 6X16	1	4211336
015	90602-ZE1-000	CLIP, GOVERNOR HOLDER	1	3634565
015	90602-ZE1-000	CLIP, GOVERNOR HOLDER	1	
016	91201-890-003	OIL SEAL, 30X46X8	1	3634565
016	91201-890-003	OIL SEAL, 30X46X8	1	
017	94101-06800	WASHER, PLAIN, 6MM	1	3634565
018	90701-HC4-000	DOWEL PIN, 8X12	2	3634565
019	95701-0803500	BOLT, FLANGE, 8X35	7	3634565
021	96100-6206000	BEARING, RADIAL BALL, 6206	1	3634565



ZK20-E0700B

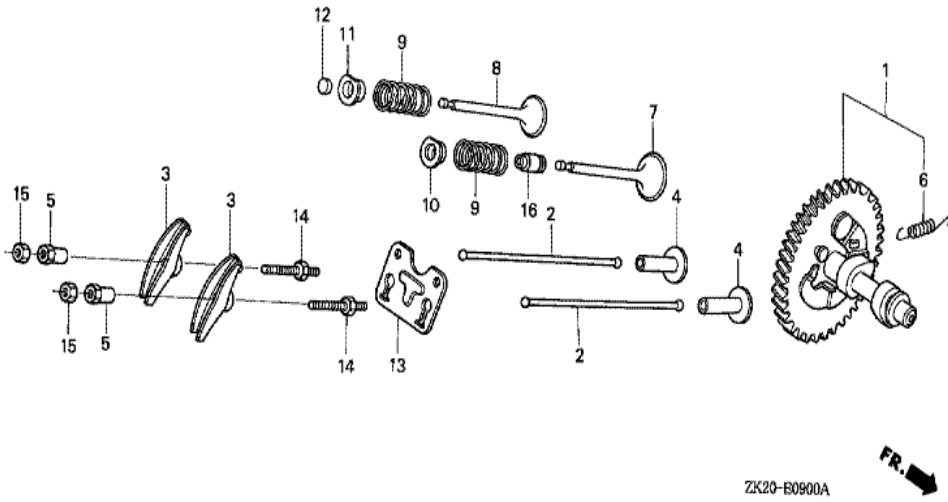
Ref	Partnumber	Description	GX240K1	Serial Numbers
002	13310-ZE2-010	CRANKSHAFT COMP.	1	
008	90741-805-000	KEY, 7X7X33	1	
008	90741-889-810	KEY, 7X7X33 (YELLOW) (O.S.)	(1)	
008	90741-889-810	KEY, 7X7X33 (YELLOW) (O.S.)	(1)	
009	96100-6206000	BEARING, RADIAL BALL, 6206	1	
016	90741-ZE2-000	KEY, SPECIAL WOODRUFF, 25X18	1	
016	90741-ZE2-000	KEY, SPECIAL WOODRUFF, 25X18	1	



ZK20-E0800A



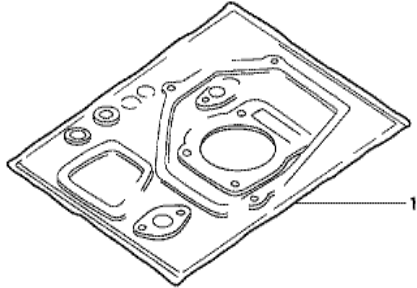
<u>Ref</u>	<u>Partnumber</u>	<u>Description</u>	<u>GX240K1</u>	<u>Serial Numbers</u>
001	13010-ZE2-013	RING SET, PISTON (STD.) (NIPPON)	1	4081304
001	13010-ZE2-013	RING SET, PISTON (STD.) (NIPPON)	1	
001	13010-ZE2-014	RING SET, PISTON (STD.) (TEIKOKU)	1	4081304
001	13010-ZE2-014	RING SET, PISTON (STD.) (TEIKOKU)	1	
001	13011-ZE2-013	RING SET, PISTON (0.25) (NIPPON)	(1)	4081304
001	13011-ZE2-013	RING SET, PISTON (0.25) (NIPPON)	(1)	
001	13011-ZE2-014	RING SET, PISTON (0.25) (TEIKOKU)	(1)	
001	13011-ZE2-014	RING SET, PISTON (0.25) (TEIKOKU)	(1)	
001	13012-ZE2-013	RING SET, PISTON (0.50) (NIPPON)	(1)	
001	13012-ZE2-013	RING SET, PISTON (0.50) (NIPPON)	(1)	
001	13012-ZE2-014	RING SET, PISTON (0.50) (TEIKOKU)	(1)	
001	13012-ZE2-014	RING SET, PISTON (0.50) (TEIKOKU)	(1)	
001	13012-ZE2-014	RING SET, PISTON (0.50) (TEIKOKU)	(1)	
001	13013-ZE2-013	RING SET, PISTON (0.75) (NIPPON)	(1)	
<u>Ref</u>	<u>Partnumber</u>	<u>Description</u>	<u>GX240K1</u>	<u>Serial Numbers</u>
001	13013-ZE2-013	RING SET, PISTON (0.75) (NIPPON)	(1)	
001	13013-ZE2-014	RING SET, PISTON (0.75) (TEIKOKU)	(1)	4081304
001	13013-ZE2-014	RING SET, PISTON (0.75) (TEIKOKU)	(1)	
002	13101-ZE2-W00	PISTON (STD.)	1	4869814
002	13102-ZE2-W00	PISTON (0.25)	(1)	
002	13102-ZE2-W00	PISTON (0.25)	(1)	
002	13103-ZE2-W00	PISTON (0.50)	(1)	4869814
002	13103-ZE2-W00	PISTON (0.50)	(1)	
002	13104-ZE2-W00	PISTON (0.75)	(1)	
002	13104-ZE2-W00	PISTON (0.75)	(1)	
003	13111-ZE2-000	PIN, PISTON	1	
004	13200-ZE2-010	ROD ASSY., CONNECTING (STD.)	1	
004	13200-ZE2-305	ROD ASSY., CONNECTING (0.25 UNDER SIZE)	(1)	
004	13200-ZE2-305	ROD ASSY., CONNECTING (0.25 UNDER SIZE)	(1)	
005	90001-ZE8-000	BOLT, CONNECTING ROD	2	
006	90551-ZE1-000	CLIP, PISTON PIN, 18MM	2	



ZK20-E0900A



<u>Ref</u>	<u>Partnumber</u>	<u>Description</u>	<u>GX240K1</u>	<u>Serial Numbers</u>
001	14100-ZH9-000	CAMSHAFT ASSY.	1	
001	14100-ZH9-000	CAMSHAFT ASSY.	1	3620888
001	14100-ZH9-010	CAMSHAFT ASSY.	1	3620889
001	14100-ZH9-010	CAMSHAFT ASSY.	1	3620889
002	14410-ZE2-013	ROD, PUSH	2	
003	14431-ZE2-000	ARM, VALVE ROCKER	2	
004	14441-ZE2-000	LIFTER, VALVE	2	
005	14451-ZE1-013	PIVOT, ROCKER ARM	2	
006	14568-ZE1-000	SPRING, WEIGHT RETURN	1	
007	14711-ZE2-000	VALVE, IN.	1	
008	14721-ZE2-000	VALVE, EX.	1	
009	14751-ZE2-003	SPRING, VALVE	2	
010	14771-ZE2-000	RETAINER, IN. VALVE SPRING	1	
<u>Ref</u>	<u>Partnumber</u>	<u>Description</u>	<u>GX240K1</u>	<u>Serial Numbers</u>
011	14773-ZE2-000	RETAINER, EX. VALVE SPRING	1	
011	14773-ZE2-000	RETAINER, EX. VALVE SPRING	1	
012	14781-ZE2-000	ROTATOR, VALVE	1	
013	14791-ZE2-010	GUIDE, PUSH ROD	1	
014	90012-ZE0-010	BOLT, PIVOT, 8MM	2	
015	90206-ZE1-000	NUT, PIVOT ADJUSTING	2	



HENG-X0003

<u>Ref</u>	<u>Partnumber</u>	<u>Description</u>	<u>GX240K1</u>	<u>Serial Numbers</u>	
001	061A1-ZE2-040	GASKET KIT	1		4045100
001	061A1-ZE2-040	GASKET KIT	1	3146327	
001	061C1-ZE2-010	GASKET KIT	1		3146326
001	061C1-ZE2-010	GASKET KIT	1		3146326