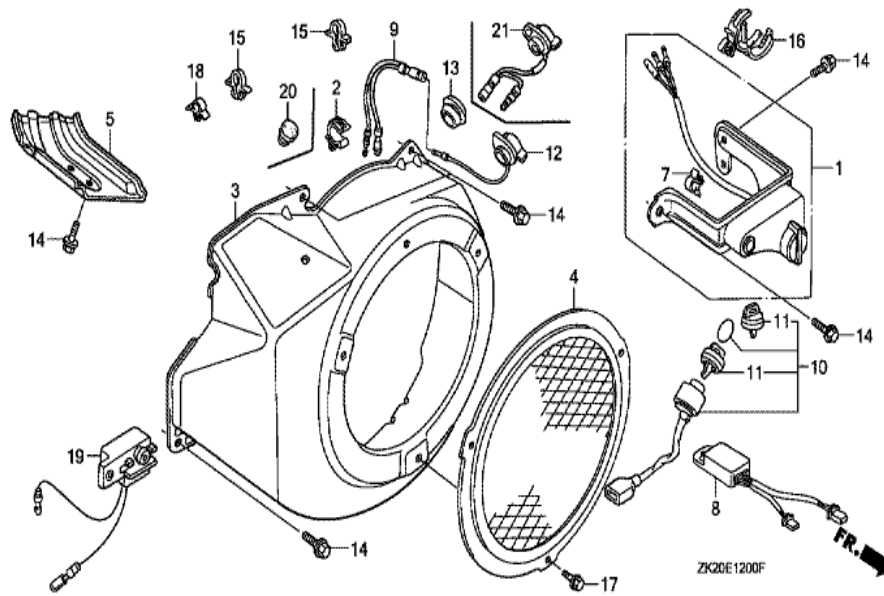


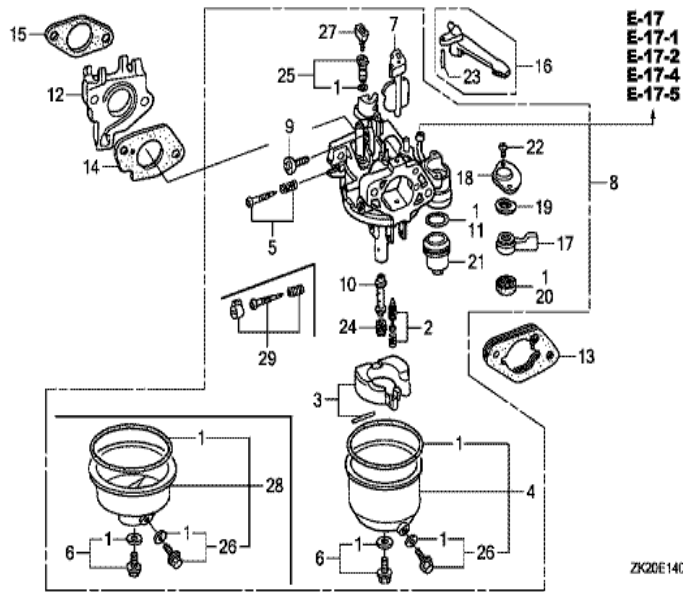
ZK20-E1100A

FR. →

| <u>Ref</u> | <u>Partnumber</u> | <u>Description</u>               | <u>GX240K1</u> | <u>Serial Numbers</u> |
|------------|-------------------|----------------------------------|----------------|-----------------------|
| 001        | 28400-ZE2-W01ZA   | STARTER ASSY., RECOIL *R8 *      | 1              |                       |
| 002        | 28410-ZE2-W01ZA   | CASE COMP., RECOIL STARTER *R8 * | 1              |                       |
| 003        | 28421-ZE2-W01     | PULLEY, RECOIL STARTER           | 1              |                       |
| 004        | 28422-ZE2-W01     | RATCHET, STARTER                 | 2              |                       |
| 005        | 28441-ZE2-W01     | SPRING, FRICTION                 | 1              |                       |
| 006        | 28442-ZE2-W01     | SPRING, STARTER RETURN           | 1              |                       |
| 007        | 28443-ZE2-W01     | SPRING, RATCHET                  | 2              |                       |
| 008        | 28444-ZE2-W01     | RETAINER, SPRING                 | 1              |                       |
| 010        | 28461-ZE2-W02     | GRIP, STARTER                    | 1              | 4914022               |
| 011        | 28462-ZE2-W01     | ROPE, RECOIL STARTER             | 1              | 3793540               |
| 011        | 28462-ZE2-W01     | ROPE, RECOIL STARTER             | 1              | 3793540               |
| 011        | 28462-ZE2-W11     | ROPE, RECOIL STARTER             | 1              |                       |
| 011        | 28462-ZE2-W11     | ROPE, RECOIL STARTER             | 1              | 3793541               |
| <u>Ref</u> | <u>Partnumber</u> | <u>Description</u>               | <u>GX240K1</u> | <u>Serial Numbers</u> |
| 012        | 28469-ZE2-W01     | REINFORCEMENT, GRIP              | 1              |                       |
| 012        | 28469-ZE2-W01     | REINFORCEMENT, GRIP              | 1              | 3793540               |
| 013        | 90004-ZE2-W01     | SCREW, CENTER                    | 1              |                       |
| 014        | 90008-ZE2-003     | BOLT, FLANGE, 6X10               | 3              |                       |



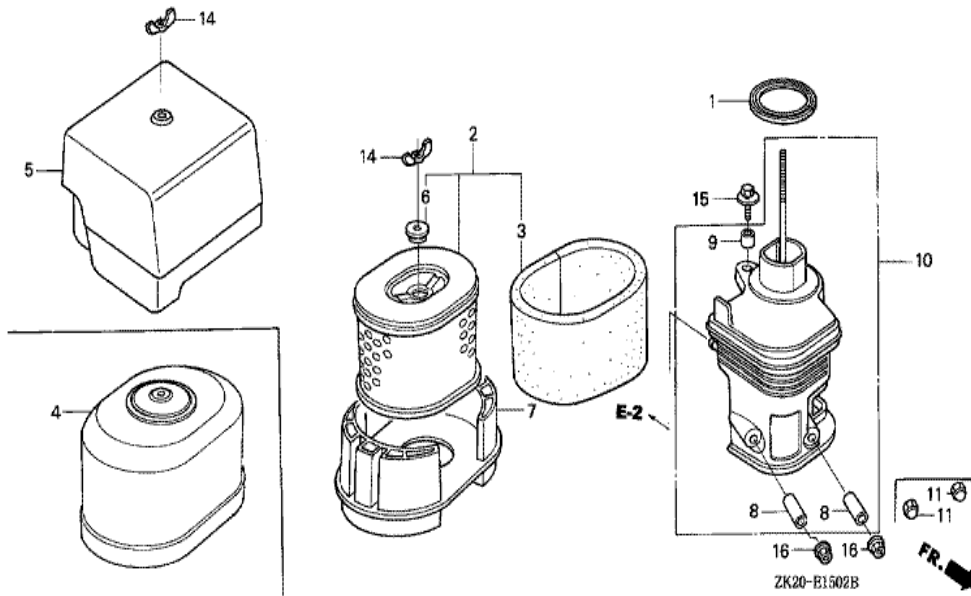
| Ref | Partnumber      | Description                | GX240K1 | Serial Numbers |
|-----|-----------------|----------------------------|---------|----------------|
| 002 | 16731-ZE2-003   | CLIP, TUBE                 | 1       |                |
| 003 | 19610-ZE2-010ZA | COVER COMP., FAN *R8 *     | 1       |                |
| 005 | 19631-ZE2-D00   | SHROUD                     | 1       |                |
| 012 | 36100-ZH8-W41   | SWITCH ASSY., ENGINE STOP  | 1       | 3313582        |
| 012 | 36100-ZH8-W41   | SWITCH ASSY., ENGINE STOP  | 1       |                |
| 014 | 90013-883-000   | BOLT, FLANGE, 6X12 (CT200) | 8       | 3116814        |
| 014 | 90013-883-000   | BOLT, FLANGE, 6X12 (CT200) | 6       | 3116815        |



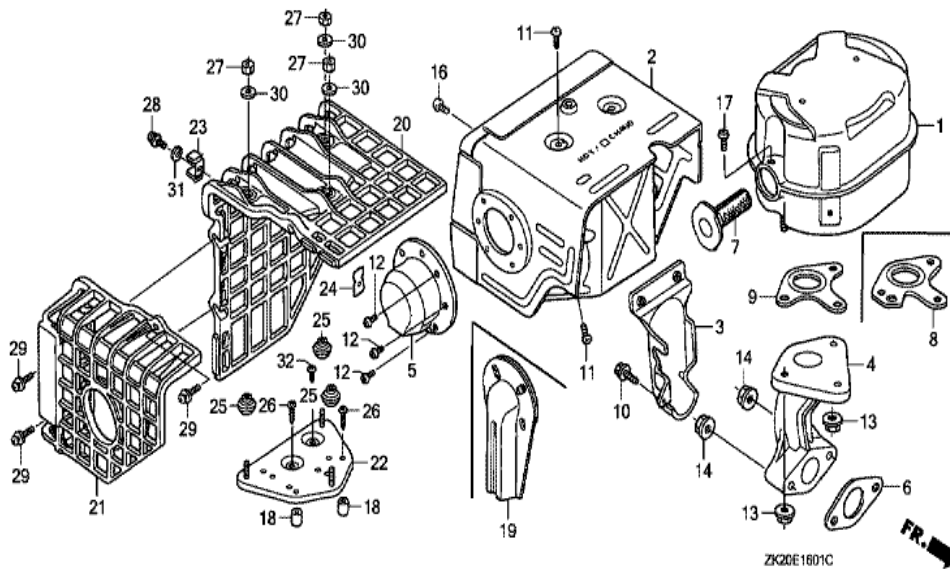
| Ref | Partnumber    | Description                | GX240K1 | Serial Numbers  |
|-----|---------------|----------------------------|---------|-----------------|
| 001 | 16010-ZE2-812 | GASKET SET                 | 1       |                 |
| 002 | 16011-ZA0-931 | VALVE SET, FLOAT           | 1       |                 |
| 003 | 16013-ZA0-931 | FLOAT SET                  | 1       |                 |
| 004 | 16015-ZE2-005 | CHAMBER SET, FLOAT         | (1)     | BE15G A         |
| 004 | 16015-ZE2-005 | CHAMBER SET, FLOAT         | 1       | BE15G A         |
| 005 | 16016-ZE0-005 | SCREW SET, PILOT           | (1)     |                 |
| 005 | 16016-ZE0-005 | SCREW SET, PILOT           | 1       | BE70B A         |
| 006 | 16028-ZE0-005 | SCREW SET                  | 1       |                 |
| 007 | 16044-ZE2-005 | CHOKE SET                  | 1       |                 |
| 008 | 16100-ZE2-W30 | CARBURETOR ASSY. (BE15G A) | 1       |                 |
| 008 | 16100-ZE2-W30 | CARBURETOR ASSY. (BE15G A) | 1       | 3453255         |
| 008 | 16100-ZE2-W31 | CARBURETOR ASSY. (BE15G B) | 1       | 3453256         |
| 008 | 16100-ZE2-W31 | CARBURETOR ASSY. (BE15G B) | 1       | 3453256 3860624 |

| <u>Ref</u> | <u>Partnumber</u> | <u>Description</u>           | <u>GX240K1</u> | <u>Serial Numbers</u> |
|------------|-------------------|------------------------------|----------------|-----------------------|
| 008        | 16100-ZE2-W71     | CARBURETOR ASSY. (BE70B B/C) | 1              |                       |
| 008        | 16100-ZE2-W71     | CARBURETOR ASSY. (BE70B B/C) | 1              | 3860625               |
| 009        | 16124-ZE0-005     | SCREW, THROTTLE STOP         | 1              |                       |
| 010        | 16166-ZE2-015     | NOZZLE, MAIN                 | 1              |                       |
| 010        | 16166-ZE2-015     | NOZZLE, MAIN                 | 1              | BE70B A               |
| 010        | 16166-ZE2-W70     | NOZZLE, MAIN                 | 1              |                       |
| 010        | 16166-ZE2-W70     | NOZZLE, MAIN                 | 1              | BE70B B               |
| 011        | 16173-001-004     | PACKING, FUEL STRAINER CUP   | (1)            |                       |
| 012        | 16211-ZE2-000     | INSULATOR, CARBURETOR        | 1              | 4926607               |
| 013        | 16220-ZA0-702     | SPACER COMP., CARBURETOR     | 1              |                       |
| 014        | 16221-ZA0-800     | PACKING, CARBURETOR          | (1)            |                       |
| 014        | 16221-ZA0-800     | PACKING, CARBURETOR          | 1              |                       |
| 015        | 16223-ZA0-800     | PACKING, INSULATOR           | 1              | 3151975               |
| 015        | 16223-ZA0-800     | PACKING, INSULATOR           | 1              |                       |
| 016        | 16610-ZE1-000     | LEVER COMP., CHOKE (STD.)    | 1              |                       |
| 017        | 16953-ZE1-811     | LEVER, COCK                  | 1              | BE16D A               |
| 017        | 16953-ZE1-811     | LEVER, COCK                  | 1              | BE15G A               |
| 017        | 16953-ZE1-812     | LEVER, COCK                  | 1              | BE16D B               |
| 017        | 16953-ZE1-812     | LEVER, COCK                  | 1              | BE15G B               |
| 018        | 16954-ZE1-812     | PLATE, LEVER SETTING         | 1              | BE70A B               |
| 019        | 16956-ZE1-811     | SPRING, COCK LEVER           | (1)            |                       |
| 020        | 16957-ZE1-812     | PACKING, FUEL COCK           | 1              |                       |
| 021        | 16967-ZE0-811     | CUP, FUEL STRAINER           | 1              |                       |
| 022        | 93500-030061H     | SCREW, PAN, 3X6              | 2              | BE16D B               |
| 022        | 93500-030081G     | SCREW, PAN, 3X8              | 2              | BE15G A               |
| 022        | 93500-030081G     | SCREW, PAN, 3X8              | 2              | BE15G A               |
| 023        | 94305-20122       | PIN, SPRING, 2X12            | 1              |                       |
| 024        | 99101-ZF50800     | JET, MAIN, #80               | (1)            | BE15G A               |
| 024        | 99101-ZF50800     | JET, MAIN, #80               | (1)            | BE15G A               |
| 024        | 99101-ZF50820     | JET, MAIN, #82               | (1)            | BE15G A               |
| 024        | 99101-ZF50820     | JET, MAIN, #82               | (1)            | BE15G A               |
| 024        | 99101-ZF50850     | JET, MAIN, #85               | 1              | BE15G A               |
| 024        | 99101-ZF50850     | JET, MAIN, #85               | 1              | BE15G A               |

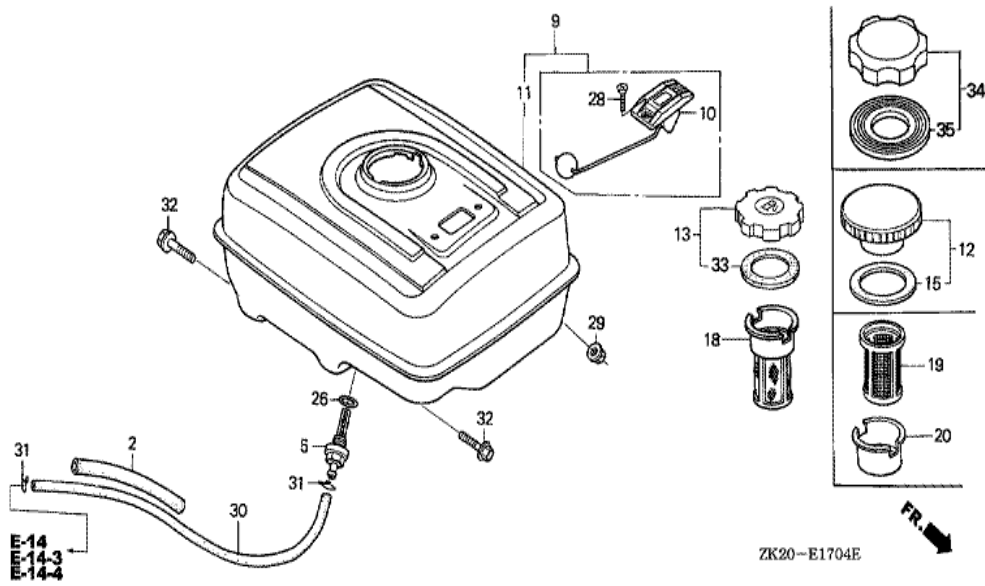
| <u>Ref</u> | <u>Partnumber</u> | <u>Description</u>  | <u>GX240K1</u> | <u>Serial Numbers</u> |
|------------|-------------------|---------------------|----------------|-----------------------|
| 024        | 99101-ZH80800     | JET, MAIN, #80      | (1)            | BE15G B               |
| 024        | 99101-ZH80800     | JET, MAIN, #80      | (1)            | BE15G B BE15G B       |
| 024        | 99101-ZH80820     | JET, MAIN, #82      | (1)            | BE15G B               |
| 024        | 99101-ZH80820     | JET, MAIN, #82      | (1)            | BE15G B               |
| 024        | 99101-ZH80850     | JET, MAIN, #85      | 1              | BE15G B BE15G B       |
| 024        | 99101-ZH80850     | JET, MAIN, #85      | (1)            | BE70B B               |
| 024        | 99101-ZH80850     | JET, MAIN, #85      | 1              | BE15G B BE15G B       |
| 024        | 99101-ZH80850     | JET, MAIN, #85      | (1)            | BE70B B               |
| 024        | 99101-ZH80880     | JET, MAIN, #88      | 1              | BE70B B               |
| 024        | 99101-ZH80880     | JET, MAIN, #88      | 1              | BE70B B               |
| 025        | 99204-ZA00400     | JET SET, PILOT, #40 | 1              | BE70B C               |
| 025        | 99204-ZA00400     | JET SET, PILOT, #40 | 1              | BE70B C               |
| 025        | 99204-ZE00400     | JET SET, PILOT, #40 | 1              | BE70B B BE70B B       |
| 025        | 99204-ZE00400     | JET SET, PILOT, #40 | 1              | BE70B B BE70B B       |
| 025        | 99204-ZE20380     | JET SET, PILOT, #38 | 1              |                       |
| 025        | 99204-ZE20380     | JET SET, PILOT, #38 | 1              | BE70B A               |
| 026        | 16024-ZE1-811     | SCREW SET, DRAIN    | 1              | BE70A B               |
| 026        | 16024-ZE1-811     | SCREW SET, DRAIN    | 1              | BE70B B               |
| 027        | 16172-ZE3-W10     | COLLAR, SETTING     | 1              | BE70B B               |
| 027        | 16172-ZE3-W10     | COLLAR, SETTING     | 1              | BE70B B               |
| 028        | 16015-ZE8-005     | CHAMBER SET, FLOAT  | 1              | BE70B B               |
| 028        | 16015-ZE8-005     | CHAMBER SET, FLOAT  | 1              | BE15G B               |
| 029        | 16016-ZH7-W01     | SCREW SET, PILOT    | 1              |                       |
| 029        | 16016-ZH7-W01     | SCREW SET, PILOT    | 1              | BE70B B               |



| Ref | Partnumber    | Description                 | GX240K1 | Serial Numbers |
|-----|---------------|-----------------------------|---------|----------------|
| 001 | 16271-ZE2-000 | PACKING, ELBOW              | 1       |                |
| 002 | 17210-ZE2-822 | ELEMENT, AIR CLEANER (DUAL) | 1       |                |
| 003 | 17218-ZE2-821 | FILTER, OUTER               | 1       |                |
| 005 | 17231-ZH9-820 | COVER, AIR CLEANER          | 1       |                |
| 006 | 17232-891-000 | GROMMET, AIR CLEANER        | 1       |                |
| 008 | 17238-ZE2-310 | COLLAR, AIR CLEANER         | 2       |                |
| 009 | 17239-ZE1-000 | COLLAR B, AIR CLEANER       | 1       |                |
| 010 | 17410-ZE2-020 | ELBOW COMP., AIR CLEANER    | 1       |                |
| 014 | 90325-044-000 | NUT, TOOL BOX SETTING       | 2       |                |
| 015 | 93494-0602008 | BOLT-WASHER, 6X20           | 1       |                |
| 015 | 93494-0602008 | BOLT-WASHER, 6X20           | 1       |                |
| 016 | 94050-06000   | NUT, FLANGE, 6MM            | 2       |                |

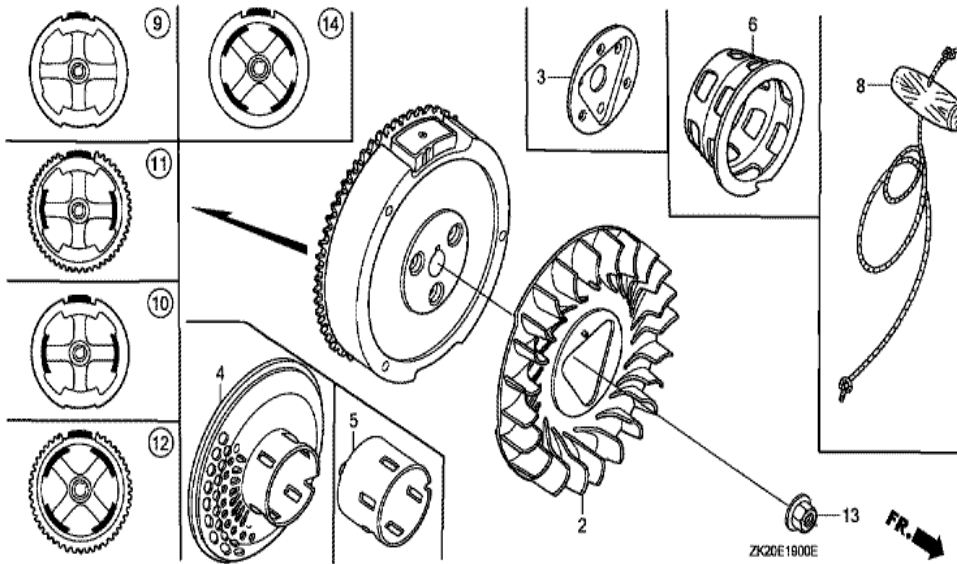


| <u>Ref</u> | <u>Partnumber</u> | <u>Description</u>                | <u>GX240K1</u> | <u>Serial Numbers</u> |
|------------|-------------------|-----------------------------------|----------------|-----------------------|
| 001        | 18310-ZE2-W00     | MUFFLER COMP.                     | 1              |                       |
| 002        | 18320-ZE2-W01     | PROTECTOR COMP., MUFFLER (STD.)   | 1              |                       |
| 004        | 18330-ZE2-W00     | PIPE, EX.                         | 1              |                       |
| 006        | 18333-ZE3-800     | GASKET, EX. PIPE                  | (1)            |                       |
| 009        | 18381-ZE2-800     | GASKET, MUFFLER (NIPPON LEAKLESS) | 1              |                       |
| 011        | 90050-ZE1-000     | SCREW, TAPPING, 5X8               | 4              |                       |
| 013        | 94050-08000       | NUT, FLANGE, 8MM                  | 3              |                       |
| 014        | 94050-08000       | NUT, FLANGE, 8MM                  | 2              |                       |
| 018        | 17233-896-701     | COLLAR, AIR CLEANER CASE          | (2)            |                       |
| 020        | 18433-ZK9-W40     | COVER COMP., MUFFLER              | (1)            |                       |
| 021        | 18434-ZK9-W40     | COVER COMP., RR. MUFFLER          | (1)            |                       |
| 022        | 18436-ZH8-W40     | BASE COMP., MUFFLER COVER         | (1)            |                       |
| 023        | 18437-ZF6-W40     | STAY, MUFFLER COVER               | (1)            |                       |
| <u>Ref</u> | <u>Partnumber</u> | <u>Description</u>                | <u>GX240K1</u> | <u>Serial Numbers</u> |
| 024        | 18438-ZF6-W40     | PLATE, SET                        | (1)            |                       |
| 025        | 18466-ZH8-W40     | SPACER, MUFFLER COVER             | (3)            |                       |
| 026        | 90050-ZH8-W40     | SCREW, TAPPING, 5X25              | (2)            |                       |
| 027        | 90302-KF9-900     | NUT, HEX., 5MM                    | (3)            |                       |
| 028        | 93891-0501200     | SCREW-WASHER, 5X12                | (1)            |                       |
| 029        | 93891-0602007     | SCREW-WASHER, 6X20                | (3)            |                       |
| 030        | 94103-05700       | WASHER, PLAIN, 5MM                | (3)            |                       |
| 031        | 94111-05000       | WASHER, SPRING, 5MM               | (1)            |                       |
| 032        | 90050-ZE1-000     | SCREW, TAPPING, 5X8               | (1)            |                       |

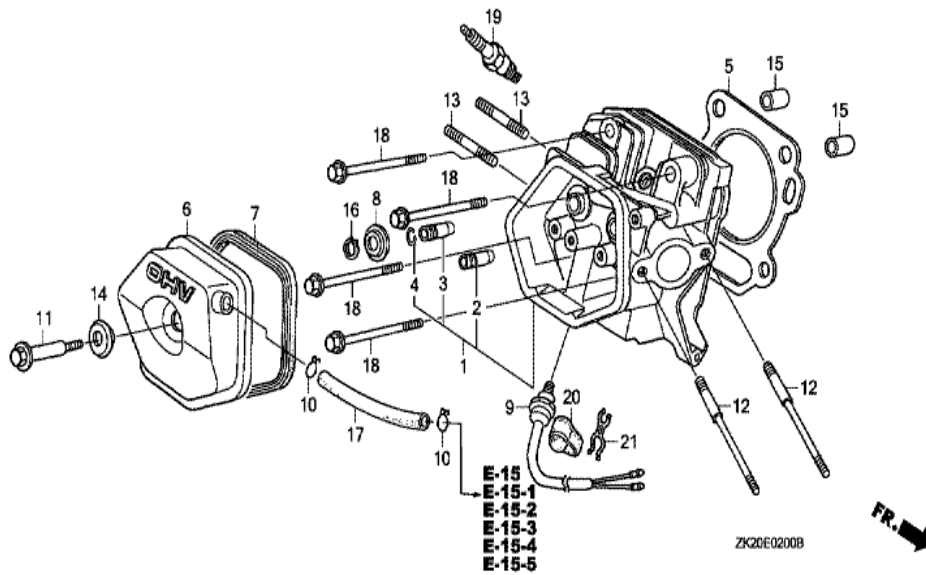


| Ref | Partnumber      | Description                           | GX240K1 | Serial Numbers |
|-----|-----------------|---------------------------------------|---------|----------------|
| 002 | 16854-ZH8-000   | RUBBER, SUPPORTER (107MM)             | 1       | 3411798        |
| 002 | 16854-ZH8-000   | RUBBER, SUPPORTER (107MM)             | 1       |                |
| 005 | 16955-ZE1-000   | JOINT, FUEL TANK                      | 1       |                |
| 011 | 17510-ZE2-010ZA | TANK COMP., FUEL *NH31 *              | 1       |                |
| 013 | 17620-ZH7-023   | CAP COMP., FUEL FILLER (BLACK)        | (1)     | 3254424        |
| 026 | 91353-671-004   | O-RING, 14MM (NOK)                    | 1       |                |
| 029 | 94050-08000     | NUT, FLANGE, 8MM                      | 2       |                |
| 030 | 95001-4522240   | TUBE, FUEL, 4.5X222 (95001-45001-60M) | 1       |                |
| 031 | 95002-02080     | CLIP, TUBE (B8)                       | 2       |                |
| 032 | 95701-0802500   | BOLT, FLANGE, 8X25                    | 2       |                |
| 032 | 95701-0802500   | BOLT, FLANGE, 8X25                    | 2       |                |
| 033 | 17631-ZH7-003   | PACKING, FUEL FILLER CAP (39X58X3)    | 1       | 4495553        |



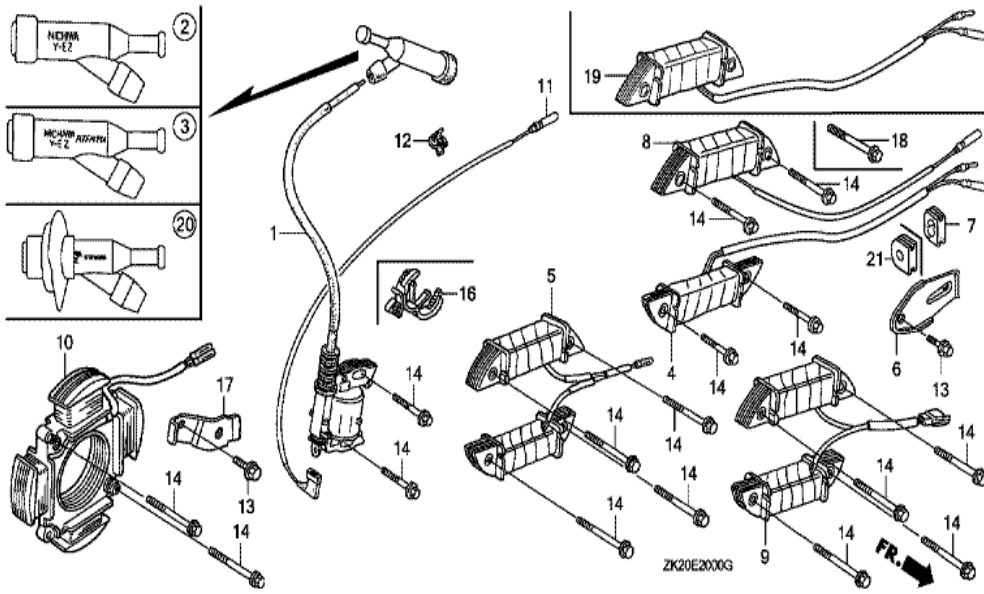


| Ref | Partnumber    | Description                         | GX240K1 | Serial Numbers |
|-----|---------------|-------------------------------------|---------|----------------|
| 002 | 19511-ZE2-000 | FAN, COOLING                        | 1       |                |
| 004 | 28450-ZE2-W11 | PULLEY COMP., STARTER (SCREEN GRID) | 1       |                |
| 009 | 31100-ZE2-010 | FLYWHEEL COMP.                      | 1       | 3337056        |
| 013 | 90201-ZE3-790 | NUT, SPECIAL, 16MM                  | 1       | 3467138        |
| 013 | 90201-ZE3-790 | NUT, SPECIAL, 16MM                  | 1       | 4835166        |
| 013 | 90201-ZE3-V00 | NUT, SPECIAL, 16MM                  | 1       |                |
| 013 | 90201-ZE3-V00 | NUT, SPECIAL, 16MM                  | 1       | 3467139        |

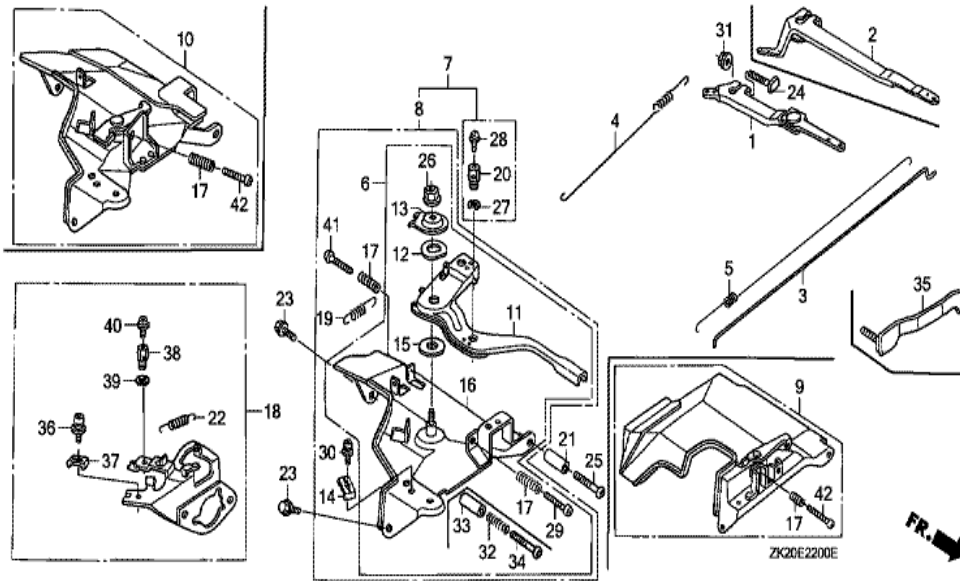


| Ref | Partnumber    | Description             | GX240K1 | Serial Numbers |
|-----|---------------|-------------------------|---------|----------------|
| 001 | 12200-ZH9-000 | HEAD COMP., CYLINDER    | 1       |                |
| 002 | 12204-ZE2-306 | GUIDE, IN. VALVE (O.S.) | 1       |                |
| 003 | 12205-ZE2-305 | GUIDE, EX. VALVE (OS)   | 1       |                |
| 004 | 12216-ZE2-300 | CLIP, VALVE GUIDE       | 1       |                |
| 005 | 12251-ZE2-800 | GASKET, CYLINDER HEAD   | 1       |                |
| 006 | 12310-ZE2-020 | COVER COMP., HEAD       | 1       | 3146327        |
| 006 | 12310-ZE2-020 | COVER COMP., HEAD       | 1       |                |
| 007 | 12391-ZE2-020 | PACKING, HEAD COVER     | 1       |                |
| 008 | 14775-ZE2-010 | SEAT, VALVE SPRING      | 1       |                |
| 011 | 90014-ZE2-000 | BOLT, HEAD COVER        | 1       |                |
| 012 | 90042-ZE2-000 | BOLT, STUD, 8X123       | 2       |                |
| 012 | 90042-ZE2-000 | BOLT, STUD, 8X123       | 2       |                |
| 013 | 90047-ZE2-000 | BOLT, STUD, 8X47        | 2       |                |

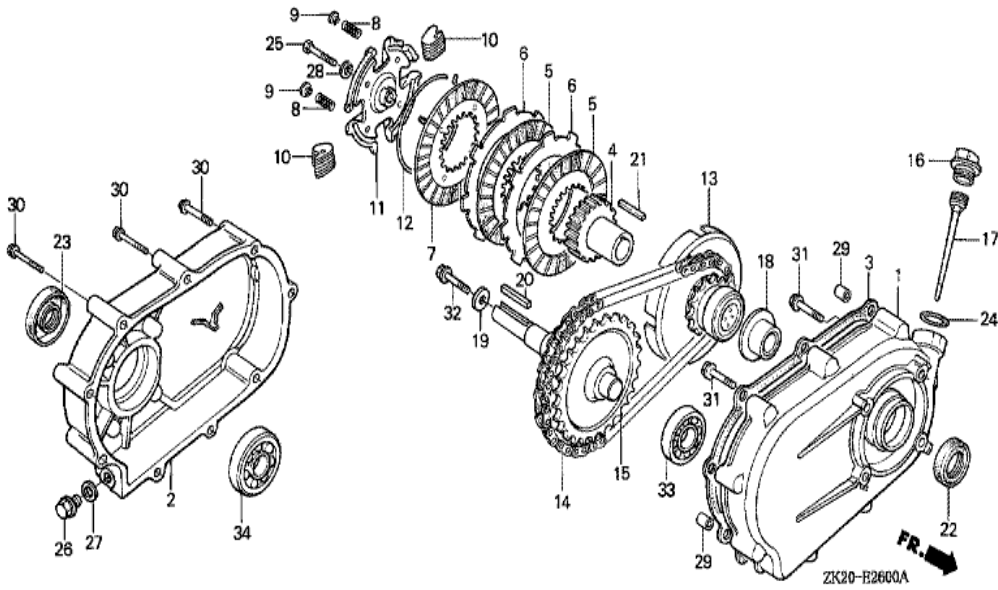
| <u>Ref</u> | <u>Partnumber</u> | <u>Description</u>             | <u>GX240K1</u> | <u>Serial Numbers</u> |
|------------|-------------------|--------------------------------|----------------|-----------------------|
| 013        | 90047-ZE2-000     | BOLT, STUD, 8X47               | 2              | 3844352               |
| 013        | 92900-080320E     | BOLT, STUD, 8X32               | 2              |                       |
| 013        | 92900-080320E     | BOLT, STUD, 8X32               | 2              | 3844353               |
| 014        | 90441-ZE2-010     | WASHER COMP., HEAD COVER       | 1              |                       |
| 015        | 94301-12200       | DOWEL PIN, 12X20               | 2              |                       |
| 017        | 95005-1110030     | TUBE, 11X100 (95005-11001-30M) | 1              |                       |
| 017        | 95005-1110030     | TUBE, 11X100 (95005-11001-30M) | 1              | 3454868               |
| 017        | 95005-1110530     | TUBE, 11X105 (95005-11001-30M) | 1              | 3454867               |
| 017        | 95005-1110530     | TUBE, 11X105 (95005-11001-30M) | 1              | 3454867               |
| 018        | 95725-1008000     | BOLT, FLANGE, 10X80            | 4              | 4847591               |
| 018        | 95725-1008000     | BOLT, FLANGE, 10X80            | 4              |                       |
| 019        | 98079-55846       | PLUG, SPARK (BPR5ES) (NGK)     | 1              |                       |
| 019        | 98079-55846       | PLUG, SPARK (BPR5ES) (NGK)     | (1)            |                       |
| 019        | 98079-55855       | PLUG, SPARK (W16EPR-U) (DENSO) | 1              |                       |
| 019        | 98079-55855       | PLUG, SPARK (W16EPR-U) (DENSO) | (1)            |                       |
| 019        | 98079-56846       | PLUG, SPARK (BPR6ES) (NGK)     | 1              | 3860625               |
| 019        | 98079-56846       | PLUG, SPARK (BPR6ES) (NGK)     | 1              |                       |
| 019        | 98079-56855       | PLUG, SPARK (W20EPR-U) (DENSO) | 1              |                       |
| 019        | 98079-56855       | PLUG, SPARK (W20EPR-U) (DENSO) | 1              |                       |



| Ref | Partnumber    | Description                             | GX240K1 | Serial Numbers |
|-----|---------------|---|---------|----------------|
| 001 | 30500-ZF6-W02 | COIL ASSY., IGNITION                    | 1       |                |
| 001 | 30500-ZF6-W02 | COIL ASSY., IGNITION                    | 1       |                |
| 003 | 30700-ZE1-013 | CAP ASSY., NOISE SUPPRESSOR (NICHWA Y-E | 1       | 3860625        |
| 007 | 31512-ZE2-000 | GROMMET, CORD                           | 1       |                |
| 011 | 36101-ZE1-010 | CORD, STOP SWITCH (370MM)               | 1       |                |
| 012 | 36103-ZE1-000 | HOLDER, STOP SWITCH CORD                | 1       |                |
| 012 | 36103-ZE1-000 | HOLDER, STOP SWITCH CORD                | 1       |                |
| 014 | 90015-883-000 | BOLT, FLANGE, 6X28 (CT200)              | N       |                |

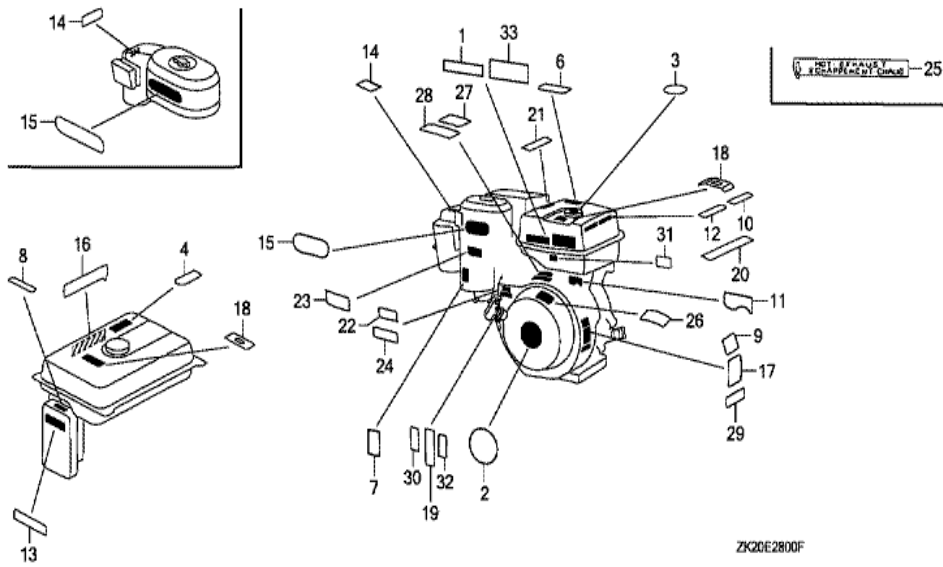


| Ref | Partnumber    | Description                              | GX240K1 | Serial Numbers |
|-----|---------------|--|---------|----------------|
| 002 | 16551-ZE2-000 | ARM, GOVERNOR                            | 1       |                |
| 003 | 16555-ZE2-000 | ROD, GOVERNOR                            | 1       |                |
| 003 | 16555-ZE2-000 | ROD, GOVERNOR                            | 1       |                |
| 004 | 16561-ZE2-000 | SPRING, GOVERNOR (L=145.0MM) (WIRE DIAME | 1       | 3156815        |
| 005 | 16562-ZE2-000 | SPRING, THROTTLE RETURN                  | 1       | 3337056        |
| 008 | 16570-ZE2-W20 | CONTROL ASSY. (REMOTE)                   | 1       |                |
| 011 | 16571-ZE2-W00 | LEVER, CONTROL                           | 1       |                |
| 011 | 16571-ZE2-W00 | LEVER, CONTROL                           | 1       |                |
| 012 | 16574-ZE1-000 | SPRING, LEVER                            | 1       | 3077713        |
| 013 | 16575-ZE2-W00 | WASHER, CONTROL LEVER                    | 1       | 3454257        |
| 014 | 16576-891-000 | HOLDER, CABLE                            | 1       |                |
| 015 | 16578-ZE1-000 | SPACER, CONTROL LEVER                    | 1       |                |
| 016 | 16581-ZE2-W00 | BASE COMP., CONTROL (###)                | 1       | 3454257        |
| Ref | Partnumber    | Description                              | GX240K1 | Serial Numbers |
| 016 | 16581-ZE2-W00 | BASE COMP., CONTROL (###)                | 1       |                |
| 017 | 16584-883-300 | SPRING, CONTROL ADJUSTING                | (1)     |                |
| 019 | 16592-883-310 | SPRING, CABLE RETURN                     | 1       |                |
| 021 | 16599-ZG1-M10 | COLLAR, STOPPER                          | (1)     | 3302522        |
| 023 | 90013-883-000 | BOLT, FLANGE, 6X12 (CT200)               | 2       |                |
| 024 | 90015-ZE5-010 | BOLT, GOVERNOR ARM                       | 1       |                |
| 025 | 90016-ZG9-N30 | SCREW, RECESSED, 5X25                    | (1)     | 3302522        |
| 026 | 90114-SA0-000 | NUT, SELF-LOCK, 6MM                      | 1       | 3454257        |
| 029 | 93500-050280A | SCREW, PAN, 5X28                         | 1       | 3454257        |
| 029 | 93500-050280A | SCREW, PAN, 5X28                         | 1       |                |
| 030 | 93500-050160A | SCREW, PAN, 5X16                         | 1       |                |
| 031 | 94050-06000   | NUT, FLANGE, 6MM                         | 1       |                |



| Ref | Partnumber    | Description                  | GX240K1 | Serial Numbers |
|-----|---------------|------------------------------|---------|----------------|
| 001 | 21510-889-750 | CASE, REDUCTION              | 1       |                |
| 002 | 21610-889-750 | COVER, REDUCTION             | 1       |                |
| 003 | 21691-889-750 | PACKING, REDUCTION COVER     | 1       |                |
| 004 | 22121-889-750 | CENTER, CLUTCH (28T)         | 1       |                |
| 005 | 22201-822-610 | DISK, CLUTCH FRICTION        | 2       |                |
| 006 | 22311-822-610 | PLATE, CLUTCH                | 2       |                |
| 007 | 22350-822-610 | PLATE COMP., CLUTCH PRESSURE | 1       |                |
| 008 | 22411-822-611 | SPRING, CLUTCH FREE          | 4       |                |
| 009 | 22421-822-610 | HOLDER, CLUTCH SPRING        | 4       |                |
| 010 | 22521-822-610 | WEIGHT, CLUTCH               | 48      |                |
| 011 | 22531-889-750 | HOLDER, CLUTCH WEIGHT        | 1       |                |
| 012 | 22535-822-610 | CENTER, CLUTCH WEIGHT        | 1       |                |
| 013 | 23120-889-750 | SPROCKET COMP., DRIVE (14T)  | 1       |                |

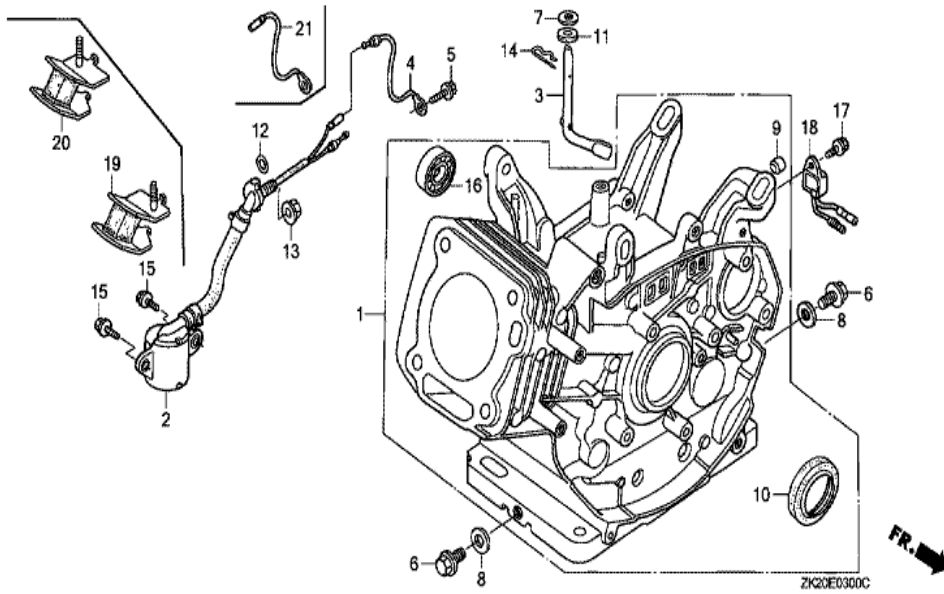
| <u>Ref</u> | <u>Partnumber</u> | <u>Description</u>          | <u>GX240K1</u> | <u>Serial Numbers</u> |
|------------|-------------------|-----------------------------|----------------|-----------------------|
| 014        | 23161-822-611     | CHAIN, DRIVE (RK428SH-36LE) | 1              |                       |
| 015        | 23711-822-610     | SHAFT COMP., P.T.O. (28T)   | 1              |                       |
| 016        | 25620-823-000     | CAP, REDUCTION OIL (YELLOW) | 1              |                       |
| 016        | 25620-823-000     | CAP, REDUCTION OIL (YELLOW) | 1              |                       |
| 017        | 25651-889-750     | GAUGE, OIL LEVEL            | 1              |                       |
| 018        | 90403-889-000     | WASHER, THRUST, 25MM        | 1              |                       |
| 020        | 90741-805-000     | KEY, 7X7X33                 | 1              |                       |
| 020        | 90741-889-810     | KEY, 7X7X33 (YELLOW) (O.S.) | (1)            |                       |
| 020        | 90741-889-810     | KEY, 7X7X33 (YELLOW) (O.S.) | (1)            |                       |
| 021        | 90741-889-000     | KEY, CLUTCH CENTER          | 1              |                       |
| 022        | 91201-890-003     | OIL SEAL, 30X46X8           | 1              |                       |
| 023        | 91202-805-610     | OIL SEAL (PJ30507)          | 1              | 4827849               |
| 024        | 91301-805-000     | O-RING, 26X2.7              | 1              |                       |
| 025        | 92101-080350H     | BOLT, HEX., 8X35            | 1              |                       |
| 025        | 92101-080350H     | BOLT, HEX., 8X35            | 1              |                       |
| 026        | 92800-12000       | BOLT, DRAIN PLUG, 12MM      | 1              |                       |
| 027        | 94109-12000       | WASHER, DRAIN PLUG, 12MM    | 1              |                       |
| 028        | 94111-08800       | WASHER, SPRING, 8MM         | 1              |                       |
| 029        | 94301-08140       | DOWEL PIN, 8X14             | 2              |                       |
| 030        | 95701-0605008     | BOLT, FLANGE, 6X50          | 9              |                       |
| 031        | 95701-0803208     | BOLT, FLANGE, 8X32          | 4              |                       |
| 033        | 96100-6205000     | BEARING, RADIAL BALL, 6205  | 1              |                       |
| 034        | 96100-6206000     | BEARING, RADIAL BALL, 6206  | 1              |                       |



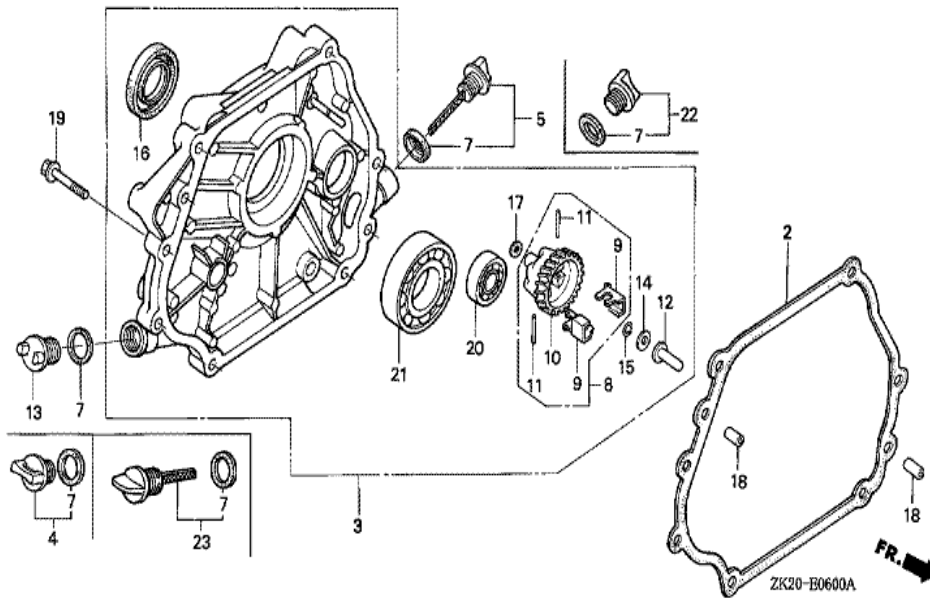
ZK20E2800F

| Ref | Partnumber    | Description                              | GX240K1 | Serial Numbers  |
|-----|---------------|--|---------|-----------------|
| 001 | 87522-ZH8-W40 | MARK, CAUTION (PICTOGRAPH)               | 1       | 4528690         |
| 001 | 87522-ZH8-W40 | MARK, CAUTION (PICTOGRAPH)               | 1       |                 |
| 002 | 87521-ZE2-W01 | EMBLEM (GX240 HONDA 8.0)                 | 1       | 3117235         |
| 002 | 87521-ZE2-W01 | EMBLEM (GX240 HONDA 8.0)                 | 1       | 4192760         |
| 002 | 87521-ZE2-W02 | EMBLEM (GX240 HONDA 8.0)                 | 1       | 4465232         |
| 002 | 87521-ZE2-W02 | EMBLEM (GX240 HONDA 8.0)                 | 1       | 4192761         |
| 007 | 87528-ZF6-W40 | MARK, CHOKE (BLACK)                      | 1       | 3302522         |
| 007 | 87528-ZF6-W40 | MARK, CHOKE (BLACK)                      | 1       |                 |
| 024 | 87532-ZH8-W40 | MARK, THROTTLE INDICATION                | 1       |                 |
| 031 | 87135-ZE2-000 | LABEL, E-SPEC (HONDA) (EPA STANDARD) (15 | 1       | 4081617 4217821 |
| 031 | 87135-ZE2-000 | LABEL, E-SPEC (HONDA) (EPA STANDARD) (15 | 1       | 4081617 4217821 |
| 031 | 87135-ZE2-010 | LABEL, E-SPEC (EPA STANDARD) (15.5X60.0) | 1       | 4217822         |
| 031 | 87135-ZE2-010 | LABEL, E-SPEC (EPA STANDARD) (15.5X60.0) | 1       | 4217822         |

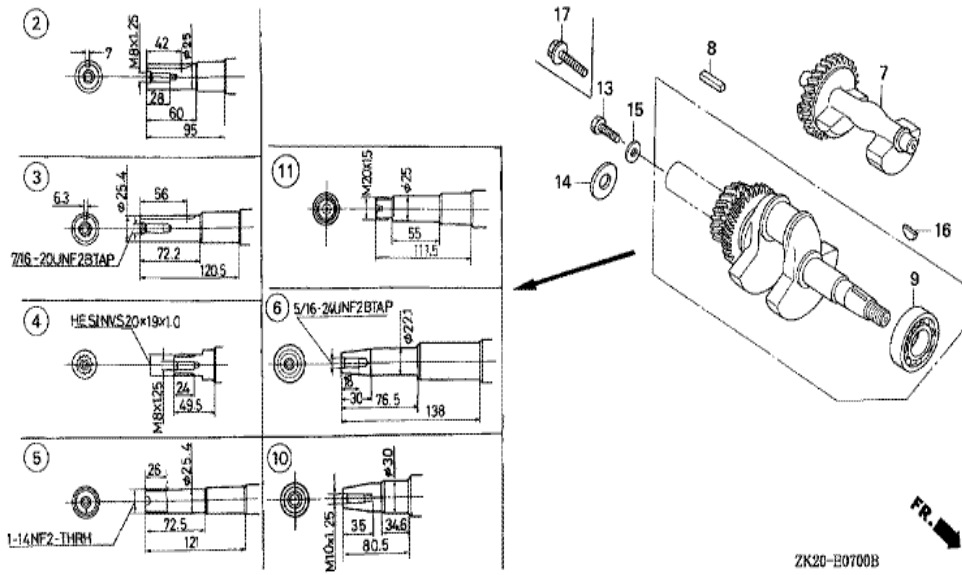




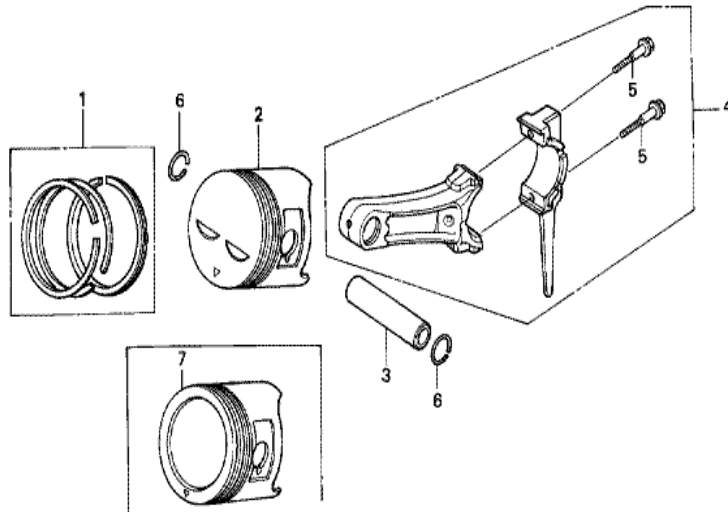
| Ref | Partnumber    | Description                   | GX240K1 | Serial Numbers |
|-----|---------------|-------------------------------|---------|----------------|
| 001 | 12000-ZE2-040 | BARREL ASSY., CYLINDER (STD.) | 1       | 4081304        |
| 001 | 12000-ZE2-040 | BARREL ASSY., CYLINDER (STD.) | 1       | 4081304        |
| 001 | 12000-ZE2-050 | BARREL ASSY., CYLINDER (STD.) | 1       | 4081305        |
| 001 | 12000-ZE2-050 | BARREL ASSY., CYLINDER (STD.) | 1       | 4081305        |
| 003 | 16541-ZE2-010 | SHAFT, GOVERNOR ARM           | 1       |                |
| 006 | 90131-883-000 | BOLT, DRAIN PLUG, 12X15       | 2       |                |
| 007 | 90446-KE1-000 | WASHER, 8.2X17X0.8            | 1       |                |
| 008 | 94109-12000   | WASHER, DRAIN PLUG, 12MM      | 2       |                |
| 009 | 90801-ZE2-003 | PLUG, SEALING (RUBBER 10MM)   | 1       |                |
| 010 | 91201-890-003 | OIL SEAL, 30X46X8             | 1       |                |
| 014 | 94251-08000   | PIN, LOCK, 8MM                | 1       | 3332421        |
| 014 | 94251-10000   | PIN, LOCK, 10MM               | 1       | 3332422        |
| 014 | 94251-10000   | PIN, LOCK, 10MM               | 1       | 3332422        |



| <u>Ref</u> | <u>Partnumber</u> | <u>Description</u>         | <u>GX240K1</u> | <u>Serial Numbers</u> |
|------------|-------------------|----------------------------|----------------|-----------------------|
| 002        | 11381-ZE2-801     | PACKING, CASE COVER        | 1              | 3634565               |
| 003        | 11300-ZE2-000     | COVER ASSY., CRANKCASE     | 1              |                       |
| 003        | 11300-ZE2-000     | COVER ASSY., CRANKCASE     | 1              | 4211335               |
| 003        | 11300-ZE2-010     | COVER ASSY., CRANKCASE     | 1              | 4211336               |
| 003        | 11300-ZE2-010     | COVER ASSY., CRANKCASE     | 1              | 4211336               |
| 004        | 15600-ZG4-003     | CAP ASSY., OIL FILLER      | 1              | 3634565               |
| 005        | 15600-735-003     | CAP ASSY., OIL FILLER      | 1              | 3634565               |
| 007        | 15625-ZE1-003     | PACKING, OIL FILLER CAP    | 1              |                       |
| 007        | 15625-ZE1-003     | PACKING, OIL FILLER CAP    | 2              |                       |
| 008        | 16510-ZE2-000     | GOVERNOR ASSY.             | 1              | 3634565               |
| 009        | 16511-ZE2-000     | WEIGHT, GOVERNOR           | 2              | 3634565               |
| 010        | 16512-ZE2-000     | HOLDER, GOVERNOR WEIGHT    | 1              | 3634565               |
| 011        | 16513-ZE2-000     | PIN, GOVERNOR WEIGHT       | 2              | 3634565               |
| <u>Ref</u> | <u>Partnumber</u> | <u>Description</u>         | <u>GX240K1</u> | <u>Serial Numbers</u> |
| 012        | 16531-Z0A-000     | SLIDER, GOVERNOR           | 1              |                       |
| 012        | 16531-ZE2-000     | SLIDER, GOVERNOR           | 1              | 4211335               |
| 012        | 16531-ZE2-000     | SLIDER, GOVERNOR           | 1              | 4211335               |
| 014        | 90473-147-000     | WASHER, 6X16               | 1              | 4211336               |
| 014        | 90473-147-000     | WASHER, 6X16               | 1              | 4211336               |
| 015        | 90602-ZE1-000     | CLIP, GOVERNOR HOLDER      | 1              | 3634565               |
| 015        | 90602-ZE1-000     | CLIP, GOVERNOR HOLDER      | 1              |                       |
| 016        | 91201-890-003     | OIL SEAL, 30X46X8          | 1              | 3634565               |
| 016        | 91201-890-003     | OIL SEAL, 30X46X8          | 1              |                       |
| 017        | 94101-06800       | WASHER, PLAIN, 6MM         | 1              | 3634565               |
| 018        | 90701-HC4-000     | DOWEL PIN, 8X12            | 2              | 3634565               |
| 019        | 95701-0803500     | BOLT, FLANGE, 8X35         | 7              | 3634565               |
| 021        | 96100-6206000     | BEARING, RADIAL BALL, 6206 | 1              | 3634565               |



| Ref | Partnumber    | Description                  | GX240K1 | Serial Numbers |
|-----|---------------|------------------------------|---------|----------------|
| 002 | 13310-ZE2-010 | CRANKSHAFT COMP.             | 1       |                |
| 009 | 96100-6206000 | BEARING, RADIAL BALL, 6206   | 1       |                |
| 016 | 90741-ZE2-000 | KEY, SPECIAL WOODRUFF, 25X18 | 1       |                |
| 016 | 90741-ZE2-000 | KEY, SPECIAL WOODRUFF, 25X18 | 1       |                |

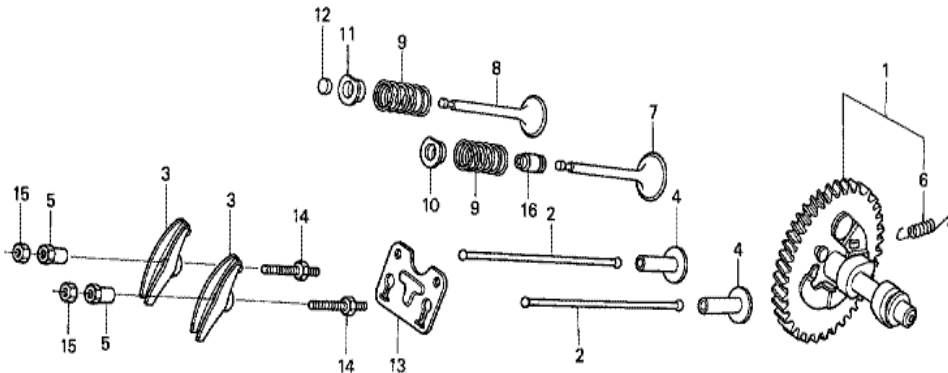


ZK20-E0800A



| Ref | Partnumber    | Description                       | GX240K1 | Serial Numbers |
|-----|---------------|-----------------------------------|---------|----------------|
| 001 | 13010-Z5F-004 | RING SET, PISTON (STD.) (TEIKOKU) | 1       | 4081305        |
| 001 | 13010-Z5F-004 | RING SET, PISTON (STD.) (TEIKOKU) | 1       | 4869815        |
| 001 | 13010-ZE2-013 | RING SET, PISTON (STD.) (NIPPON)  | 1       | 4081304        |
| 001 | 13010-ZE2-013 | RING SET, PISTON (STD.) (NIPPON)  | 1       | 4081304        |
| 001 | 13010-ZE2-014 | RING SET, PISTON (STD.) (TEIKOKU) | 1       | 4081304        |
| 001 | 13010-ZE2-014 | RING SET, PISTON (STD.) (TEIKOKU) | 1       | 4081304        |
| 001 | 13010-ZE2-921 | RING SET, PISTON (STD.) (TEIKOKU) | 1       | 4869814        |
| 001 | 13010-ZE2-921 | RING SET, PISTON (STD.) (TEIKOKU) | 1       | 4081305        |
| 001 | 13010-ZE2-922 | RING SET, PISTON (STD.) (NIPPON)  | 1       | 4081305        |
| 001 | 13010-ZE2-922 | RING SET, PISTON (STD.) (NIPPON)  | 1       | 4081305        |
| 001 | 13011-ZE2-013 | RING SET, PISTON (0.25) (NIPPON)  | (1)     | 4081304        |
| 001 | 13011-ZE2-013 | RING SET, PISTON (0.25) (NIPPON)  | (1)     | 4081304        |
| 001 | 13011-ZE2-014 | RING SET, PISTON (0.25) (TEIKOKU) | (1)     |                |

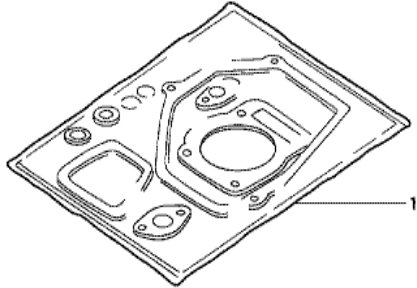
| <u>Ref</u> | <u>Partnumber</u> | <u>Description</u>                      | <u>GX240K1</u> | <u>Serial Numbers</u> |
|------------|-------------------|---|----------------|-----------------------|
| 001        | 13011-ZE2-014     | RING SET, PISTON (0.25) (TEIKOKU)       | (1)            | 4081304               |
| 001        | 13011-ZE2-921     | RING SET, PISTON (0.25) (TEIKOKU)       | (1)            |                       |
| 001        | 13011-ZE2-921     | RING SET, PISTON (0.25) (TEIKOKU)       | (1)            | 4081305               |
| 001        | 13011-ZE2-922     | RING SET, PISTON (0.25) (NIPPON)        | (1)            | 4081305               |
| 001        | 13011-ZE2-922     | RING SET, PISTON (0.25) (NIPPON)        | (1)            | 4081305               |
| 001        | 13012-ZE2-013     | RING SET, PISTON (0.50) (NIPPON)        | (1)            |                       |
| 001        | 13012-ZE2-013     | RING SET, PISTON (0.50) (NIPPON)        | (1)            | 4081304               |
| 001        | 13012-ZE2-014     | RING SET, PISTON (0.50) (TEIKOKU)       | (1)            |                       |
| 001        | 13012-ZE2-014     | RING SET, PISTON (0.50) (TEIKOKU)       | (1)            | 4081304               |
| 001        | 13012-ZE2-921     | RING SET, PISTON (0.50) (TEIKOKU)       | (1)            | 4081305               |
| 001        | 13012-ZE2-921     | RING SET, PISTON (0.50) (TEIKOKU)       | (1)            | 4081305               |
| 001        | 13012-ZE2-922     | RING SET, PISTON (0.50) (NIPPON)        | (1)            | 4869814               |
| 001        | 13012-ZE2-922     | RING SET, PISTON (0.50) (NIPPON)        | (1)            | 4081305               |
| 001        | 13013-ZE2-013     | RING SET, PISTON (0.75) (NIPPON)        | (1)            |                       |
| 001        | 13013-ZE2-013     | RING SET, PISTON (0.75) (NIPPON)        | (1)            | 4081304               |
| 001        | 13013-ZE2-014     | RING SET, PISTON (0.75) (TEIKOKU)       | (1)            | 4081304               |
| 001        | 13013-ZE2-014     | RING SET, PISTON (0.75) (TEIKOKU)       | (1)            | 4081304               |
| 001        | 13013-ZE2-921     | RING SET, PISTON (0.75) (TEIKOKU)       | (1)            |                       |
| 001        | 13013-ZE2-921     | RING SET, PISTON (0.75) (TEIKOKU)       | (1)            | 4081305               |
| 001        | 13013-ZE2-922     | RING SET, PISTON (0.75) (NIPPON)        | (1)            |                       |
| 001        | 13013-ZE2-922     | RING SET, PISTON (0.75) (NIPPON)        | (1)            | 4081305               |
| 002        | 13101-ZE2-W00     | PISTON (STD.)                           | 1              | 4869814               |
| 002        | 13102-ZE2-W00     | PISTON (0.25)                           | (1)            |                       |
| 002        | 13102-ZE2-W00     | PISTON (0.25)                           | (1)            |                       |
| 002        | 13103-ZE2-W00     | PISTON (0.50)                           | (1)            | 4869814               |
| 002        | 13103-ZE2-W00     | PISTON (0.50)                           | (1)            |                       |
| 002        | 13104-ZE2-W00     | PISTON (0.75)                           | (1)            |                       |
| 002        | 13104-ZE2-W00     | PISTON (0.75)                           | (1)            |                       |
| 003        | 13111-ZE2-000     | PIN, PISTON                             | 1              |                       |
| 004        | 13200-ZE2-010     | ROD ASSY., CONNECTING (STD.)            | 1              |                       |
| 004        | 13200-ZE2-305     | ROD ASSY., CONNECTING (0.25 UNDER SIZE) | (1)            |                       |
| 004        | 13200-ZE2-305     | ROD ASSY., CONNECTING (0.25 UNDER SIZE) | (1)            |                       |
| 005        | 90001-ZE8-000     | BOLT, CONNECTING ROD                    | 2              |                       |
| <u>Ref</u> | <u>Partnumber</u> | <u>Description</u>                      | <u>GX240K1</u> | <u>Serial Numbers</u> |
| 006        | 90551-ZE1-000     | CLIP, PISTON PIN, 18MM                  | 2              |                       |



ZK20-B0900A



| <u>Ref</u> | <u>Partnumber</u> | <u>Description</u>         | <u>GX240K1</u> | <u>Serial Numbers</u> |
|------------|-------------------|----------------------------|----------------|-----------------------|
| 001        | 14100-ZE2-W01     | CAMSHAFT ASSY.             | 1              | 3620689               |
| 001        | 14100-ZE2-W01     | CAMSHAFT ASSY.             | 1              | 3860625               |
| 001        | 14100-ZH9-000     | CAMSHAFT ASSY.             | 1              |                       |
| 001        | 14100-ZH9-000     | CAMSHAFT ASSY.             | 1              | 3620888               |
| 001        | 14100-ZH9-010     | CAMSHAFT ASSY.             | 1              | 3620889               |
| 001        | 14100-ZH9-010     | CAMSHAFT ASSY.             | 1              | 3620889 3860624       |
| 002        | 14410-ZE2-013     | ROD, PUSH                  | 2              |                       |
| 003        | 14431-ZE2-010     | ARM, VALVE ROCKER          | 2              |                       |
| 003        | 14431-ZE2-010     | ARM, VALVE ROCKER          | 2              |                       |
| 004        | 14441-ZE2-000     | LIFTER, VALVE              | 2              |                       |
| 005        | 14451-ZE1-013     | PIVOT, ROCKER ARM          | 2              |                       |
| 006        | 14568-ZE1-000     | SPRING, WEIGHT RETURN      | 1              |                       |
| 007        | 14711-ZE2-000     | VALVE, IN.                 | 1              |                       |
| <u>Ref</u> | <u>Partnumber</u> | <u>Description</u>         | <u>GX240K1</u> | <u>Serial Numbers</u> |
| 008        | 14721-ZE2-000     | VALVE, EX.                 | 1              |                       |
| 009        | 14751-ZE2-003     | SPRING, VALVE              | 2              |                       |
| 010        | 14771-ZE2-000     | RETAINER, IN. VALVE SPRING | 1              |                       |
| 011        | 14773-ZE2-000     | RETAINER, EX. VALVE SPRING | 1              |                       |
| 011        | 14773-ZE2-000     | RETAINER, EX. VALVE SPRING | 1              |                       |
| 012        | 14781-ZE2-000     | ROTATOR, VALVE             | 1              |                       |
| 013        | 14791-ZE2-010     | GUIDE, PUSH ROD            | 1              |                       |
| 014        | 90012-ZE0-010     | BOLT, PIVOT, 8MM           | 2              |                       |
| 015        | 90206-ZE1-000     | NUT, PIVOT ADJUSTING       | 2              |                       |
| 016        | 12209-ZE8-003     | SEAL, VALVE STEM           | 1              | 4081305               |
| 016        | 12209-ZE8-003     | SEAL, VALVE STEM           | 1              | 4081305               |



HENG-X0003

| <u>Ref</u> | <u>Partnumber</u> | <u>Description</u> | <u>GX240K1</u> | <u>Serial Numbers</u> |
|------------|-------------------|--------------------|----------------|-----------------------|
| 001        | 061A1-ZE2-040     | GASKET KIT         | 1              | 4045100               |
| 001        | 061A1-ZE2-040     | GASKET KIT         | 1              | 4045100               |