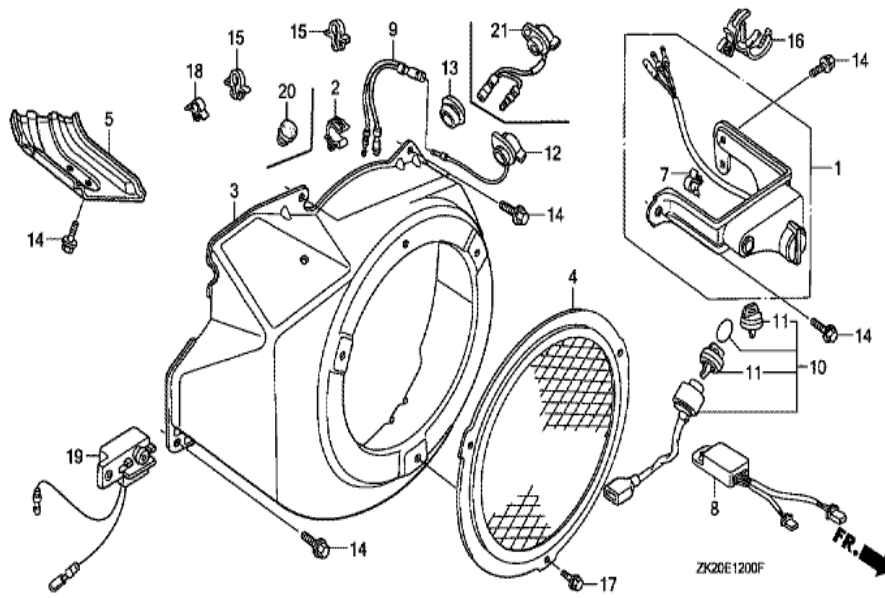


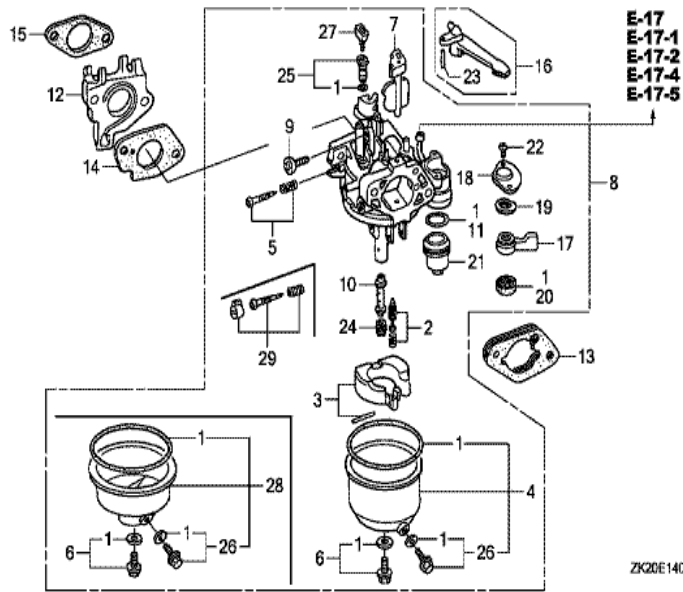
ZK20-E1100A

FR. →

| <u>Ref</u> | <u>Partnumber</u> | <u>Description</u>               | <u>GX240K1</u> | <u>Serial Numbers</u> |
|------------|-------------------|----------------------------------|----------------|-----------------------|
| 001        | 28400-ZE2-W01ZA   | STARTER ASSY., RECOIL *R8 *      | 1              |                       |
| 002        | 28410-ZE2-W01ZA   | CASE COMP., RECOIL STARTER *R8 * | 1              |                       |
| 003        | 28421-ZE2-W01     | PULLEY, RECOIL STARTER           | 1              |                       |
| 004        | 28422-ZE2-W01     | RATCHET, STARTER                 | 2              |                       |
| 005        | 28441-ZE2-W01     | SPRING, FRICTION                 | 1              |                       |
| 006        | 28442-ZE2-W01     | SPRING, STARTER RETURN           | 1              |                       |
| 007        | 28443-ZE2-W01     | SPRING, RATCHET                  | 2              |                       |
| 008        | 28444-ZE2-W01     | RETAINER, SPRING                 | 1              |                       |
| 010        | 28461-ZE2-W02     | GRIP, STARTER                    | 1              | 4914022               |
| 011        | 28462-ZE2-W01     | ROPE, RECOIL STARTER             | 1              | 3793540               |
| 012        | 28469-ZE2-W01     | REINFORCEMENT, GRIP              | 1              |                       |
| 013        | 90004-ZE2-W01     | SCREW, CENTER                    | 1              |                       |
| 014        | 95701-0600800     | BOLT, FLANGE, 6X8                | 3              |                       |
| <u>Ref</u> | <u>Partnumber</u> | <u>Description</u>               | <u>GX240K1</u> | <u>Serial Numbers</u> |
| 014        | 95701-0600800     | BOLT, FLANGE, 6X8                | 3              |                       |



| Ref | Partnumber      | Description                | GX240K1 | Serial Numbers |
|-----|-----------------|----------------------------|---------|----------------|
| 002 | 16731-ZE2-003   | CLIP, TUBE                 | 1       |                |
| 003 | 19610-ZE2-010ZA | COVER COMP., FAN *R8 *     | 1       |                |
| 005 | 19631-ZE2-D00   | SHROUD                     | 1       |                |
| 013 | 81329-567-020   | GROMMET, DRAIN HOLE        | 1       | 3116814        |
| 013 | 81329-567-020   | GROMMET, DRAIN HOLE        | 1       |                |
| 014 | 90013-883-000   | BOLT, FLANGE, 6X12 (CT200) | 8       | 3116814        |
| 014 | 90013-883-000   | BOLT, FLANGE, 6X12 (CT200) | 6       | 3116815        |

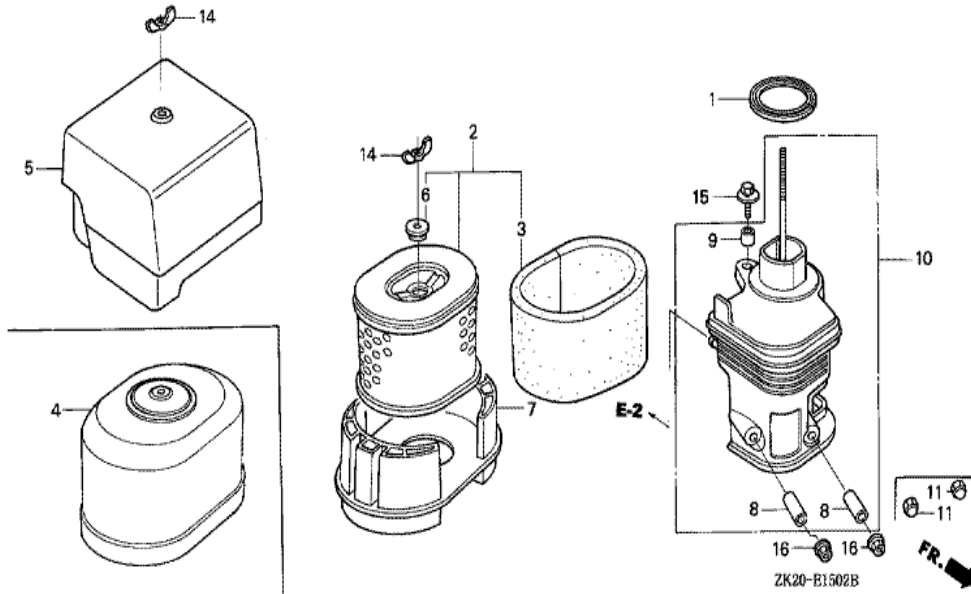


FR. →

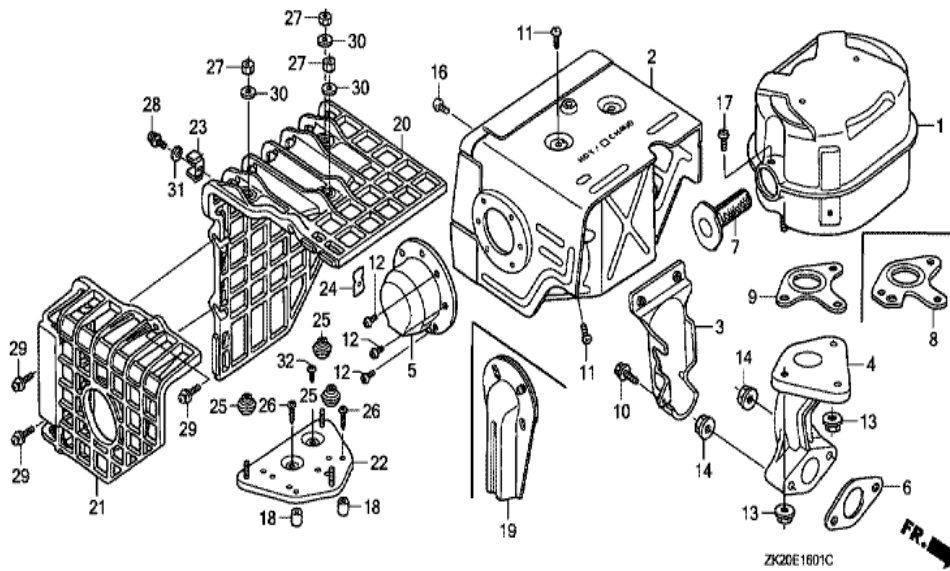
ZK20E1403E

| Ref | Partnumber    | Description                | GX240K1 | Serial Numbers |
|-----|---------------|----------------------------|---------|----------------|
| 001 | 16010-ZE2-812 | GASKET SET                 | 1       |                |
| 002 | 16011-ZA0-931 | VALVE SET, FLOAT           | 1       |                |
| 003 | 16013-ZA0-931 | FLOAT SET                  | 1       |                |
| 004 | 16015-ZE2-005 | CHAMBER SET, FLOAT         | (1)     | BE15G A        |
| 004 | 16015-ZE2-005 | CHAMBER SET, FLOAT         | 1       | BE15G A        |
| 005 | 16016-ZE0-005 | SCREW SET, PILOT           | (1)     |                |
| 006 | 16028-ZE0-005 | SCREW SET                  | 1       |                |
| 007 | 16044-ZE2-005 | CHOKE SET                  | 1       |                |
| 008 | 16100-ZE2-W30 | CARBURETOR ASSY. (BE15G A) | 1       |                |
| 008 | 16100-ZE2-W30 | CARBURETOR ASSY. (BE15G A) | 1       | 3453255        |
| 008 | 16100-ZE2-W31 | CARBURETOR ASSY. (BE15G B) | 1       | 3453256        |
| 008 | 16100-ZE2-W31 | CARBURETOR ASSY. (BE15G B) | 1       | 3453256        |
| 009 | 16124-ZE0-005 | SCREW, THROTTLE STOP       | 1       |                |

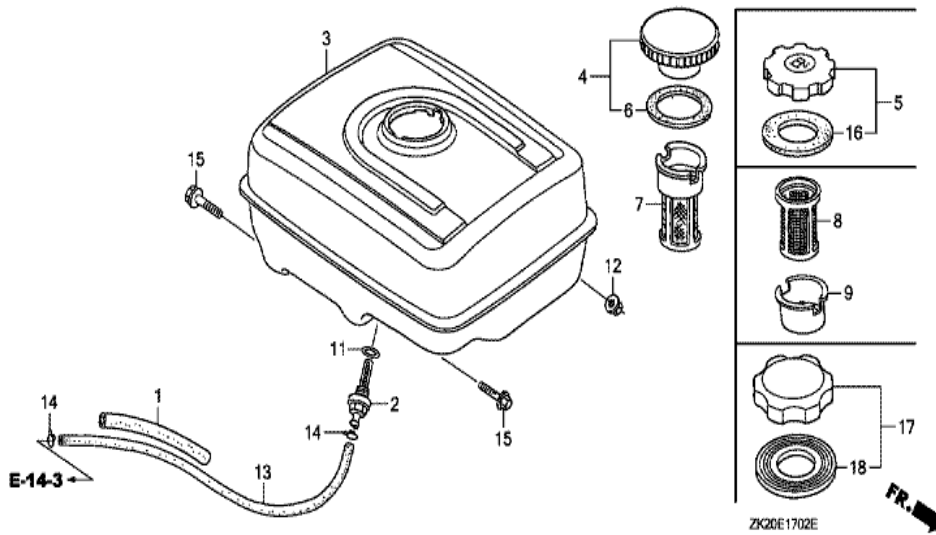
| <u>Ref</u> | <u>Partnumber</u> | <u>Description</u>         | <u>GX240K1</u> | <u>Serial Numbers</u> |
|------------|-------------------|----------------------------|----------------|-----------------------|
| 010        | 16166-ZE2-015     | NOZZLE, MAIN               | 1              |                       |
| 011        | 16173-001-004     | PACKING, FUEL STRAINER CUP | (1)            |                       |
| 012        | 16211-ZE2-000     | INSULATOR, CARBURETOR      | 1              | 4926607               |
| 013        | 16220-ZA0-702     | SPACER COMP., CARBURETOR   | 1              |                       |
| 014        | 16221-ZA0-800     | PACKING, CARBURETOR        | (1)            |                       |
| 014        | 16221-ZA0-800     | PACKING, CARBURETOR        | 1              |                       |
| 015        | 16223-ZA0-800     | PACKING, INSULATOR         | 1              | 3151975               |
| 015        | 16223-ZA0-800     | PACKING, INSULATOR         | 1              |                       |
| 016        | 16610-ZE1-000     | LEVER COMP., CHOKE (STD.)  | 1              |                       |
| 017        | 16953-ZE1-812     | LEVER, COCK                | 1              | BE16D B               |
| 017        | 16953-ZE1-812     | LEVER, COCK                | 1              |                       |
| 018        | 16954-ZE1-812     | PLATE, LEVER SETTING       | 1              | BE70A B               |
| 019        | 16956-ZE1-811     | SPRING, COCK LEVER         | (1)            |                       |
| 020        | 16957-ZE1-812     | PACKING, FUEL COCK         | 1              |                       |
| 021        | 16967-ZE0-811     | CUP, FUEL STRAINER         | 1              |                       |
| 022        | 93500-030061H     | SCREW, PAN, 3X6            | 2              |                       |
| 022        | 93500-030061H     | SCREW, PAN, 3X6            | 2              | BE16D B               |
| 023        | 94305-20122       | PIN, SPRING, 2X12          | 1              |                       |
| 024        | 99101-ZF50800     | JET, MAIN, #80             | (1)            | BE15G A               |
| 024        | 99101-ZF50800     | JET, MAIN, #80             | (1)            | BE15G A               |
| 024        | 99101-ZF50820     | JET, MAIN, #82             | (1)            | BE15G A               |
| 024        | 99101-ZF50820     | JET, MAIN, #82             | (1)            | BE15G A               |
| 024        | 99101-ZF50850     | JET, MAIN, #85             | 1              | BE15G A               |
| 024        | 99101-ZF50850     | JET, MAIN, #85             | 1              | BE15G A               |
| 024        | 99101-ZH80800     | JET, MAIN, #80             | (1)            | BE15G B               |
| 024        | 99101-ZH80800     | JET, MAIN, #80             | (1)            | BE15G B               |
| 024        | 99101-ZH80820     | JET, MAIN, #82             | (1)            | BE15G B               |
| 024        | 99101-ZH80820     | JET, MAIN, #82             | (1)            | BE15G B               |
| 024        | 99101-ZH80850     | JET, MAIN, #85             | 1              | BE15G B BE15G B       |
| 024        | 99101-ZH80850     | JET, MAIN, #85             | 1              | BE15G B               |
| 025        | 99204-ZE20380     | JET SET, PILOT, #38        | 1              |                       |
| 025        | 99204-ZE20380     | JET SET, PILOT, #38        | 1              |                       |
| 028        | 16015-ZE8-005     | CHAMBER SET, FLOAT         | 1              | BE70B B               |
| <u>Ref</u> | <u>Partnumber</u> | <u>Description</u>         | <u>GX240K1</u> | <u>Serial Numbers</u> |
| 028        | 16015-ZE8-005     | CHAMBER SET, FLOAT         | 1              | BE15G B               |



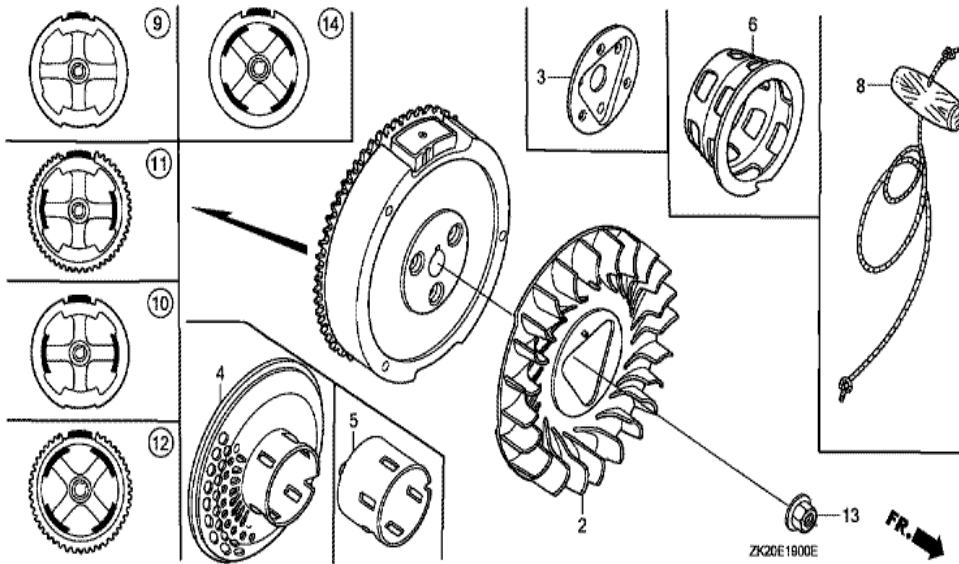
| Ref | Partnumber    | Description                 | GX240K1 | Serial Numbers |
|-----|---------------|-----------------------------|---------|----------------|
| 001 | 16271-ZE2-000 | PACKING, ELBOW              | 1       |                |
| 002 | 17210-ZE2-822 | ELEMENT, AIR CLEANER (DUAL) | 1       |                |
| 003 | 17218-ZE2-821 | FILTER, OUTER               | 1       |                |
| 005 | 17231-ZH9-820 | COVER, AIR CLEANER          | 1       |                |
| 006 | 17232-891-000 | GROMMET, AIR CLEANER        | 1       |                |
| 008 | 17238-ZE2-310 | COLLAR, AIR CLEANER         | 2       |                |
| 009 | 17239-ZE1-000 | COLLAR B, AIR CLEANER       | 1       |                |
| 010 | 17410-ZE2-020 | ELBOW COMP., AIR CLEANER    | 1       |                |
| 014 | 90325-044-000 | NUT, TOOL BOX SETTING       | 2       |                |
| 015 | 93494-0602008 | BOLT-WASHER, 6X20           | 1       |                |
| 015 | 93494-0602008 | BOLT-WASHER, 6X20           | 1       |                |
| 016 | 94050-06000   | NUT, FLANGE, 6MM            | 2       |                |



| Ref | Partnumber    | Description                              | GX240K1 | Serial Numbers |
|-----|---------------|--|---------|----------------|
| 001 | 18310-ZE2-W00 | MUFFLER COMP.                            | 1       |                |
| 002 | 18320-ZE2-W01 | PROTECTOR COMP., MUFFLER (STD.)          | 1       |                |
| 003 | 18323-ZE2-W00 | PROTECTOR, EX. PIPE                      | 1       |                |
| 004 | 18330-ZE2-W00 | PIPE, EX.                                | 1       |                |
| 005 | 18331-ZE2-810 | CAP, MUFFLER                             | 1       |                |
| 006 | 18333-ZE3-800 | GASKET, EX. PIPE                         | (1)     |                |
| 007 | 18355-ZE2-010 | ARRESTER, SPARK                          | (1)     |                |
| 008 | 18381-ZE2-W10 | GASKET, MUFFLER (ARRESTER) (NIPPON LEAKL | 1       |                |
| 008 | 18381-ZE2-W10 | GASKET, MUFFLER (ARRESTER) (NIPPON LEAKL | 1       |                |
| 010 | 90013-883-000 | BOLT, FLANGE, 6X12 (CT200)               | 1       |                |
| 011 | 90050-ZE1-000 | SCREW, TAPPING, 5X8                      | 4       |                |
| 012 | 90055-ZE1-000 | SCREW, TAPPING, 4X6                      | 3       |                |
| 013 | 94050-08000   | NUT, FLANGE, 8MM                         | 3       |                |
| Ref | Partnumber    | Description                              | GX240K1 | Serial Numbers |
| 014 | 94050-08000   | NUT, FLANGE, 8MM                         | 2       |                |
| 016 | 90050-ZE1-000 | SCREW, TAPPING, 5X8                      | 2       |                |
| 017 | 90055-ZE1-000 | SCREW, TAPPING, 4X6                      | 1       |                |
| 017 | 90055-ZE1-000 | SCREW, TAPPING, 4X6                      | 1       |                |



| <u>Ref</u> | <u>Partnumber</u> | <u>Description</u>                     | <u>GX240K1</u> | <u>Serial Numbers</u> |
|------------|-------------------|--|----------------|-----------------------|
| 001        | 16854-ZH8-000     | RUBBER, SUPPORTER (107MM)              | 1              | 3033266               |
| 001        | 16854-ZH8-000     | RUBBER, SUPPORTER (107MM)              | 1              |                       |
| 002        | 16955-ZE1-000     | JOINT, FUEL TANK                       | 1              |                       |
| 003        | 17510-ZE2-010ZA   | TANK COMP., FUEL *NH31 *               | 1              |                       |
| 004        | 17620-ZE2-W00     | CAP COMP., FUEL FILLER (CHROME PLATED) | 1              | 3254423               |
| 005        | 17620-ZH7-023     | CAP COMP., FUEL FILLER (BLACK)         | 1              | 3254424               |
| 005        | 17620-ZH7-023     | CAP COMP., FUEL FILLER (BLACK)         | 1              | 3254424               |
| 006        | 17631-329-003     | PACKING, FUEL FILLER CAP (39X58X3)     | 1              | 3254423               |
| 007        | 17672-ZE2-W01     | FILTER, FUEL                           | 1              | 3190917               |
| 011        | 91353-671-004     | O-RING, 14MM (NOK)                     | 1              |                       |
| 012        | 94050-08000       | NUT, FLANGE, 8MM                       | 2              |                       |
| 013        | 95001-4522240     | TUBE, FUEL, 4.5X222 (95001-45001-60M)  | 1              |                       |
| 014        | 95002-02080       | CLIP, TUBE (B8)                        | 2              |                       |
| <u>Ref</u> | <u>Partnumber</u> | <u>Description</u>                     | <u>GX240K1</u> | <u>Serial Numbers</u> |
| 015        | 95701-0802500     | BOLT, FLANGE, 8X25                     | 2              |                       |
| 015        | 95701-0802500     | BOLT, FLANGE, 8X25                     | 2              |                       |
| 016        | 17631-ZH7-003     | PACKING, FUEL FILLER CAP (39X58X3)     | 1              | 3254424               |
| 016        | 17631-ZH7-003     | PACKING, FUEL FILLER CAP (39X58X3)     | 1              | 3254424               |

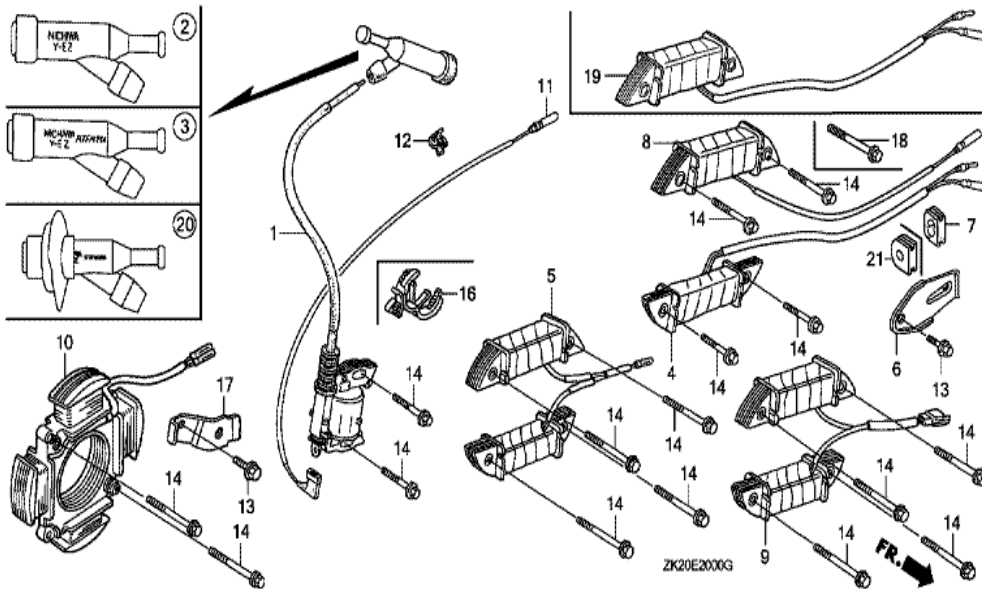


| Ref | Partnumber    | Description                         | GX240K1 | Serial Numbers |
|-----|---------------|-------------------------------------|---------|----------------|
| 002 | 19511-ZE2-000 | FAN, COOLING                        | 1       |                |
| 004 | 28450-ZE2-W11 | PULLEY COMP., STARTER (SCREEN GRID) | 1       |                |
| 012 | 31100-ZE2-832 | FLYWHEEL COMP. (4POLE)              | 1       |                |
| 013 | 90201-ZE3-790 | NUT, SPECIAL, 16MM                  | 1       | 3467138        |
| 013 | 90201-ZE3-790 | NUT, SPECIAL, 16MM                  | 1       | 4835166        |
| 013 | 90201-ZE3-V00 | NUT, SPECIAL, 16MM                  | 1       |                |
| 013 | 90201-ZE3-V00 | NUT, SPECIAL, 16MM                  | 1       | 3467139        |

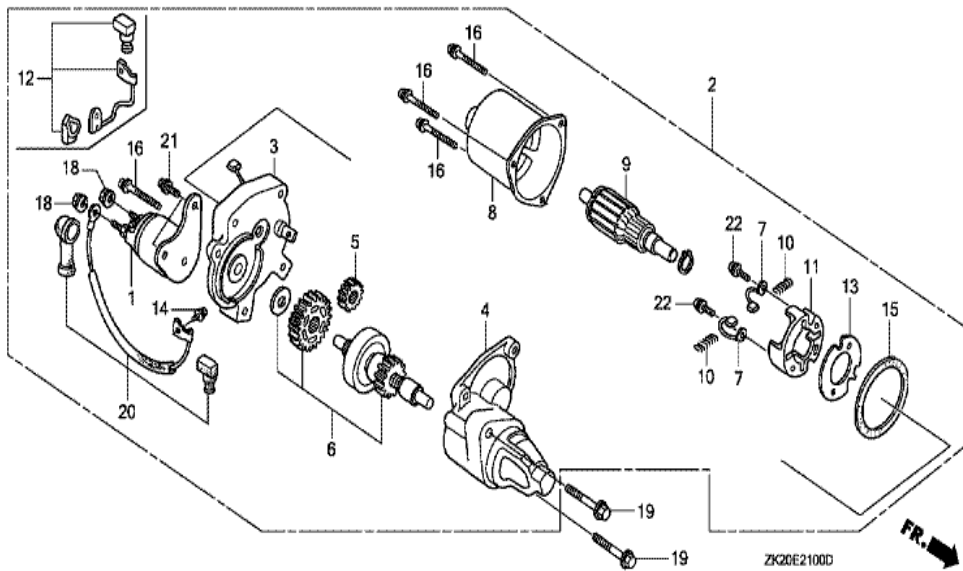




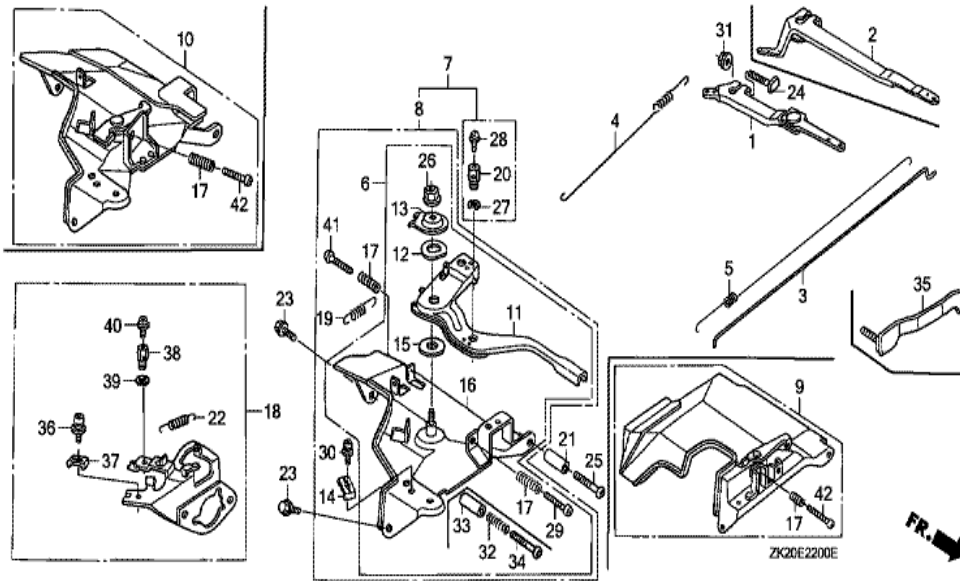
| Ref        | Partnumber        | Description                    | GX240K1        | Serial Numbers        |
|------------|-------------------|--------------------------------|----------------|-----------------------|
| 001        | 12200-ZH9-000     | HEAD COMP., CYLINDER           | 1              |                       |
| 002        | 12204-ZE2-306     | GUIDE, IN. VALVE (O.S.)        | 1              |                       |
| 003        | 12205-ZE2-305     | GUIDE, EX. VALVE (OS)          | 1              |                       |
| 004        | 12216-ZE2-300     | CLIP, VALVE GUIDE              | 1              |                       |
| 005        | 12251-ZE2-800     | GASKET, CYLINDER HEAD          | 1              |                       |
| 006        | 12310-ZE2-020     | COVER COMP., HEAD              | 1              | 3146327               |
| 006        | 12310-ZE2-020     | COVER COMP., HEAD              | 1              |                       |
| 007        | 12391-ZE2-020     | PACKING, HEAD COVER            | 1              |                       |
| 008        | 14775-ZE2-010     | SEAT, VALVE SPRING             | 1              |                       |
| 011        | 90014-ZE2-000     | BOLT, HEAD COVER               | 1              |                       |
| 012        | 90042-ZE2-000     | BOLT, STUD, 8X123              | 2              |                       |
| 012        | 90042-ZE2-000     | BOLT, STUD, 8X123              | 2              |                       |
| 013        | 90047-ZE2-000     | BOLT, STUD, 8X47               | 2              |                       |
| <u>Ref</u> | <u>Partnumber</u> | <u>Description</u>             | <u>GX240K1</u> | <u>Serial Numbers</u> |
| 013        | 90047-ZE2-000     | BOLT, STUD, 8X47               | 2              |                       |
| 014        | 90441-ZE2-010     | WASHER COMP., HEAD COVER       | 1              |                       |
| 015        | 94301-12200       | DOWEL PIN, 12X20               | 2              |                       |
| 017        | 95005-1110030     | TUBE, 11X100 (95005-11001-30M) | 1              |                       |
| 017        | 95005-1110030     | TUBE, 11X100 (95005-11001-30M) | 1              | 3454868               |
| 017        | 95005-1110530     | TUBE, 11X105 (95005-11001-30M) | 1              | 3454867               |
| 017        | 95005-1110530     | TUBE, 11X105 (95005-11001-30M) | 1              | 3454867               |
| 018        | 95725-1008000     | BOLT, FLANGE, 10X80            | 4              | 4847591               |
| 018        | 95725-1008000     | BOLT, FLANGE, 10X80            | 4              |                       |
| 019        | 98079-55846       | PLUG, SPARK (BPR5ES) (NGK)     | 1              |                       |
| 019        | 98079-55846       | PLUG, SPARK (BPR5ES) (NGK)     | (1)            |                       |
| 019        | 98079-55855       | PLUG, SPARK (W16EPR-U) (DENSO) | 1              |                       |
| 019        | 98079-55855       | PLUG, SPARK (W16EPR-U) (DENSO) | (1)            |                       |
| 019        | 98079-56846       | PLUG, SPARK (BPR6ES) (NGK)     | 1              | 3860625               |
| 019        | 98079-56846       | PLUG, SPARK (BPR6ES) (NGK)     | 1              |                       |
| 019        | 98079-56855       | PLUG, SPARK (W20EPR-U) (DENSO) | 1              |                       |
| 019        | 98079-56855       | PLUG, SPARK (W20EPR-U) (DENSO) | 1              |                       |



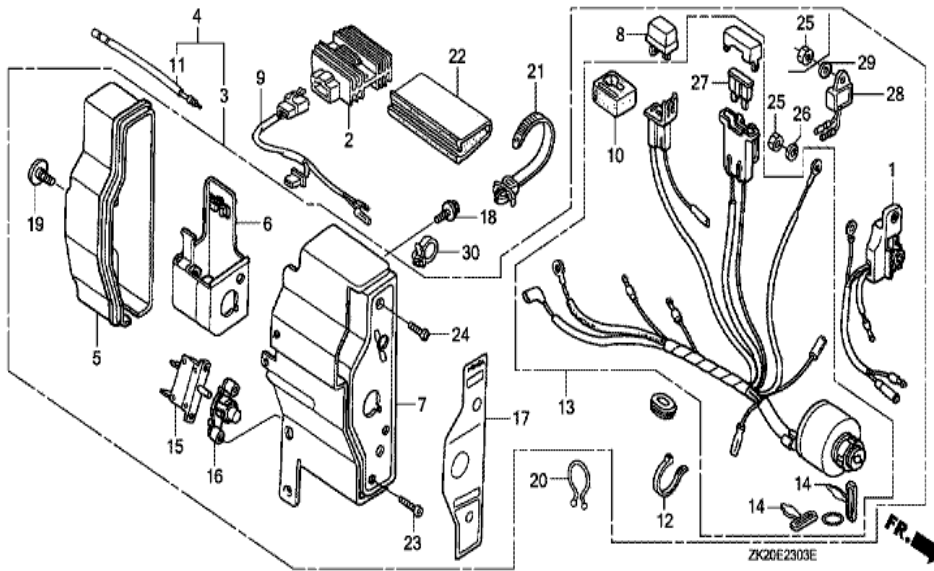
| Ref | Partnumber    | Description                              | GX240K1 | Serial Numbers |
|-----|---------------|--|---------|----------------|
| 001 | 30500-ZF6-W02 | COIL ASSY., IGNITION                     | 1       |                |
| 001 | 30500-ZF6-W02 | COIL ASSY., IGNITION                     | 1       |                |
| 003 | 30700-ZE1-013 | CAP ASSY., NOISE SUPPRESSOR (NICHWA Y-E) | 1       | 3860625        |
| 006 | 31511-ZE2-000 | CLAMPER, CORD                            | 1       |                |
| 007 | 31512-ZE2-000 | GROMMET, CORD                            | 1       |                |
| 009 | 31630-ZE2-861 | COIL ASSY., CHARGE (10A)                 | (1)     |                |
| 011 | 36101-ZE1-010 | CORD, STOP SWITCH (370MM)                | 1       |                |
| 012 | 36103-ZE1-000 | HOLDER, STOP SWITCH CORD                 | 1       |                |
| 012 | 36103-ZE1-000 | HOLDER, STOP SWITCH CORD                 | 1       |                |
| 013 | 90013-883-000 | BOLT, FLANGE, 6X12 (CT200)               | (1)     |                |
| 014 | 90015-883-000 | BOLT, FLANGE, 6X28 (CT200)               | N       |                |



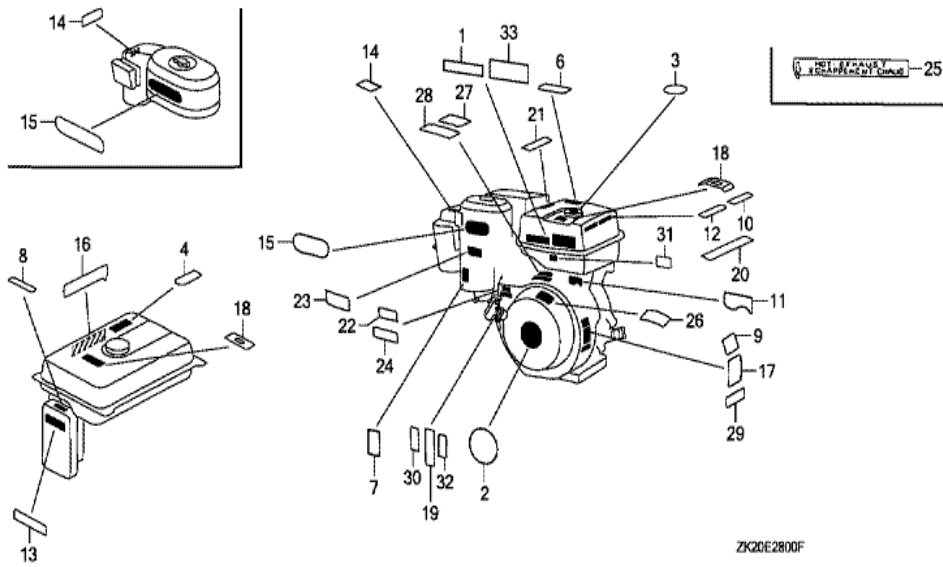
| Ref | Partnumber    | Description               | GX240K1 | Serial Numbers |
|-----|---------------|---------------------------|---------|----------------|
| 001 | 31204-ZA0-003 | CONTACTOR ASSY.           | 1       |                |
| 002 | 31210-ZE2-003 | MOTOR UNIT, STARTER       | 1       |                |
| 002 | 31210-ZE2-003 | MOTOR UNIT, STARTER       | 1       |                |
| 003 | 31211-ZE2-003 | BRACKET, CENTER           | 1       |                |
| 004 | 31212-ZE2-003 | BRACKET, FR.              | 1       |                |
| 005 | 31213-ZE2-003 | GEAR, DRIVE PINION        | (1)     |                |
| 006 | 31214-ZE2-003 | CLUTCH COMP., OVERRUNNING | 1       |                |
| 007 | 31215-ZE2-003 | BRUSH                     | 2       |                |
| 008 | 31216-ZE2-003 | YOKE COMP.                | 1       |                |
| 009 | 31217-ZE2-003 | ARMATURE COMP.            | 1       |                |
| 010 | 31219-ZE2-003 | SPRING, BRUSH RETURN      | (4)     |                |
| 011 | 31231-ZE2-003 | HOLDER, BRUSH             | 1       |                |
| 013 | 31233-ZE2-003 | INSULATOR                 | 1       |                |
| Ref | Partnumber    | Description               | GX240K1 | Serial Numbers |
| 014 | 90110-ZE2-003 | SCREW-WASHER, 4X6         | 1       |                |
| 015 | 91601-ZE2-003 | PACKING                   | 1       |                |
| 016 | 93892-0503218 | SCREW-WASHER, 5X32        | 4       |                |
| 018 | 94070-06080   | NUT-WASHER, 6MM           | 2       |                |
| 019 | 95701-0804000 | BOLT, FLANGE, 8X40        | 2       |                |
| 020 | 31232-ZE2-013 | WIRE, WATER COVER         | 1       | 4850607        |
| 021 | 90007-ZE2-003 | BOLT-WASHER, 5X14         | 2       |                |
| 022 | 31219-ZE3-003 | SCREW-WASHER, 4X14        | 2       |                |



| Ref        | Partnumber        | Description                              | GX240K1        | Serial Numbers        |
|------------|-------------------|--|----------------|-----------------------|
| 002        | 16551-ZE2-000     | ARM, GOVERNOR                            | 1              |                       |
| 003        | 16555-ZE2-000     | ROD, GOVERNOR                            | 1              |                       |
| 003        | 16555-ZE2-000     | ROD, GOVERNOR                            | 1              |                       |
| 004        | 16561-ZE2-000     | SPRING, GOVERNOR (L=145.0MM) (WIRE DIAME | 1              | 3156815               |
| 005        | 16562-ZE2-000     | SPRING, THROTTLE RETURN                  | 1              | 3337056               |
| 008        | 16570-ZE2-W20     | CONTROL ASSY. (REMOTE)                   | 1              |                       |
| 011        | 16571-ZE2-W00     | LEVER, CONTROL                           | 1              |                       |
| 011        | 16571-ZE2-W00     | LEVER, CONTROL                           | 1              |                       |
| 012        | 16574-ZE1-000     | SPRING, LEVER                            | 1              | 3077713               |
| 013        | 16575-ZE2-W00     | WASHER, CONTROL LEVER                    | 1              | 3454257               |
| 014        | 16576-891-000     | HOLDER, CABLE                            | 1              |                       |
| 015        | 16578-ZE1-000     | SPACER, CONTROL LEVER                    | 1              |                       |
| 016        | 16581-ZE2-W00     | BASE COMP., CONTROL (###)                | 1              | 3454257               |
| <u>Ref</u> | <u>Partnumber</u> | <u>Description</u>                       | <u>GX240K1</u> | <u>Serial Numbers</u> |
| 016        | 16581-ZE2-W00     | BASE COMP., CONTROL (###)                | 1              |                       |
| 017        | 16584-883-300     | SPRING, CONTROL ADJUSTING                | (1)            |                       |
| 019        | 16592-883-310     | SPRING, CABLE RETURN                     | 1              |                       |
| 023        | 90013-883-000     | BOLT, FLANGE, 6X12 (CT200)               | 2              |                       |
| 024        | 90015-ZE5-010     | BOLT, GOVERNOR ARM                       | 1              |                       |
| 026        | 90114-SA0-000     | NUT, SELF-LOCK, 6MM                      | 1              | 3454257               |
| 029        | 93500-050280A     | SCREW, PAN, 5X28                         | 1              | 3454257               |
| 029        | 93500-050280A     | SCREW, PAN, 5X28                         | 1              |                       |
| 030        | 93500-050160A     | SCREW, PAN, 5X16                         | 1              |                       |
| 031        | 94050-06000       | NUT, FLANGE, 6MM                         | 1              |                       |

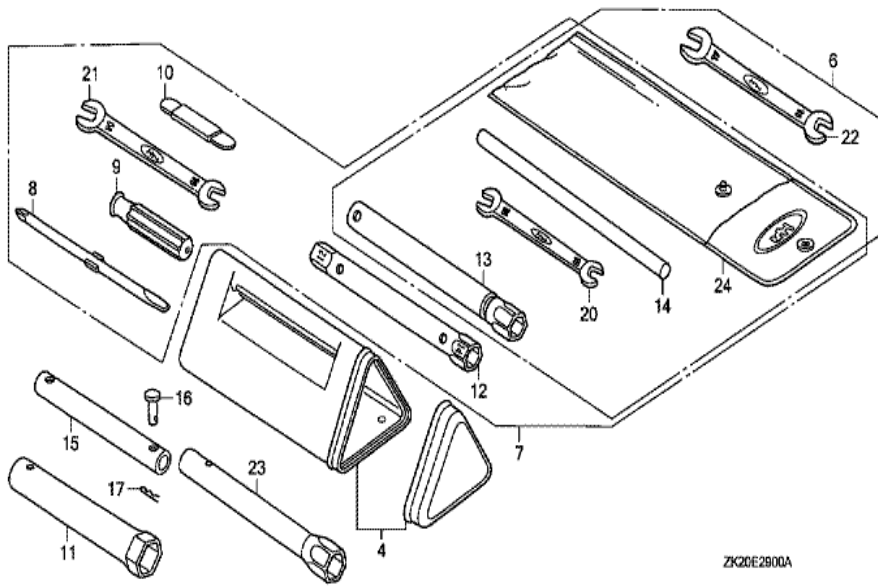


| <u>Ref</u> | <u>Partnumber</u> | <u>Description</u>                     | <u>GX240K1</u> | <u>Serial Numbers</u> |
|------------|-------------------|--|----------------|-----------------------|
| 002        | 31600-ZE2-861     | RECTIFIER ASSY., REGULATOR (10A)       | 1              | 3320786               |
| 004        | 31610-ZE2-873ZB   | BOX ASSY., CONTROL (10A) *R8 *         | 1              |                       |
| 004        | 31610-ZE2-873ZB   | BOX ASSY., CONTROL (10A) *R8 *         | 1              |                       |
| 005        | 31612-ZE2-003     | CASE, CONTROL                          | 1              |                       |
| 006        | 31614-ZE2-003     | BRACKET, CASE MOUNTING                 | 1              | 3320786               |
| 007        | 31615-ZE2-003ZB   | PANEL COMP., CONTROL *R8 *             | 1              | 4463352               |
| 007        | 31615-ZE2-003ZB   | PANEL COMP., CONTROL *R8 *             | 1              |                       |
| 009        | 32110-ZE2-860     | HARNESS ASSY., SUB WIRE                | 1              | 3320786               |
| 011        | 32197-ZE1-003     | HARNESS, SUB WIRE                      | 1              |                       |
| 012        | 32902-892-003     | BAND                                   | 1              |                       |
| 013        | 35100-ZE2-862     | SWITCH ASSY., COMBINATION (10A-CHARGE) | 1              | 3320786               |
| 013        | 35100-ZE2-862     | SWITCH ASSY., COMBINATION (10A-CHARGE) | 1              |                       |
| 014        | 35111-880-003     | KEY COMP.                              | 2              |                       |
| <u>Ref</u> | <u>Partnumber</u> | <u>Description</u>                     | <u>GX240K1</u> | <u>Serial Numbers</u> |
| 017        | 87529-ZE2-860     | MARK, CONTROL BOX (EXTERNAL-REGULATOR) | (1)            | 4533388               |
| 017        | 87529-ZE2-860     | MARK, CONTROL BOX (EXTERNAL-REGULATOR) | 1              |                       |
| 018        | 90013-883-000     | BOLT, FLANGE, 6X12 (CT200)             | 2              | 3566749               |
| 018        | 90013-883-000     | BOLT, FLANGE, 6X12 (CT200)             | 2              | 3566749               |
| 019        | 90380-MA6-010     | SCREW, SPECIAL, 6X12                   | (1)            |                       |
| 020        | 90630-751-000     | CLIP, PURSE LOCK                       | 1              |                       |
| 021        | 90672-SA0-003     | STRAP, CABLE, 118MM (BLACK)            | 1              |                       |
| 022        | 91406-ZE2-003     | TUBE, FASTENER, 30MM                   | 1              |                       |
| 024        | 93500-040120H     | SCREW, PAN, 4X12                       | 1              | 3320786               |
| 025        | 94001-043900S     | NUT, HEX., 4MM                         | 1              |                       |
| 026        | 94111-04800       | WASHER, SPRING, 4MM                    | 1              | 3320786               |
| 027        | 98200-31500       | FUSE, BLADE (15A)                      | 1              | 3320786               |
| 027        | 98200-31500       | FUSE, BLADE (15A)                      | 1              |                       |
| 030        | 36103-ZE1-000     | HOLDER, STOP SWITCH CORD               | 1              |                       |



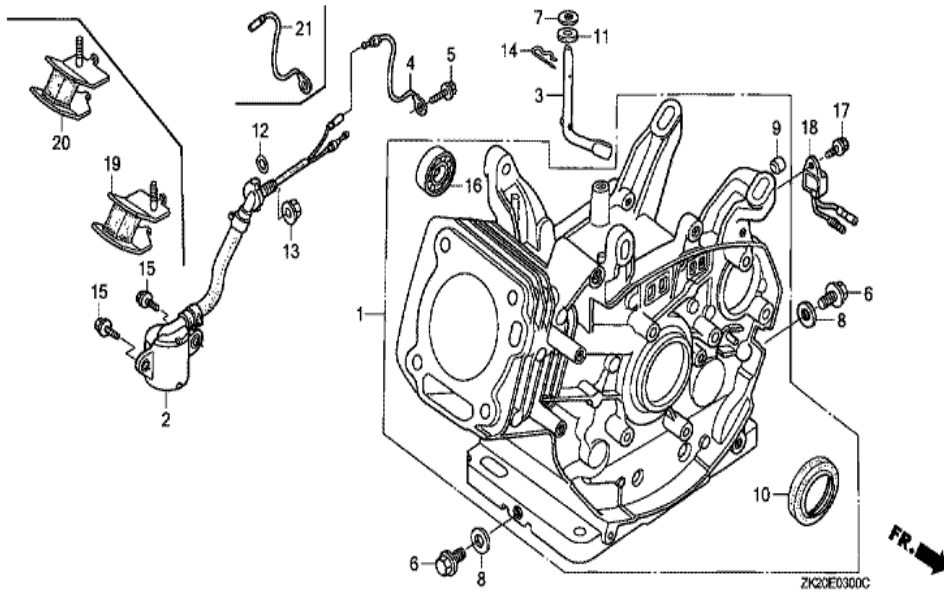
ZK20E2800F

| Ref | Partnumber    | Description                    | GX240K1 | Serial Numbers |
|-----|---------------|--------------------------------|---------|----------------|
| 001 | 87522-ZH9-000 | LABEL, CAUTION (ENGLISH, ETC.) | 1       | 3302521        |
| 001 | 87522-ZH9-000 | LABEL, CAUTION (ENGLISH, ETC.) | 1       |                |
| 002 | 87521-ZE2-W01 | EMBLEM (GX240 HONDA 8.0)       | 1       | 3117235        |
| 002 | 87521-ZE2-W01 | EMBLEM (GX240 HONDA 8.0)       | 1       | 3117235        |
| 003 | 87522-ZE1-810 | MARK, CAUTION                  | 1       | 3254423        |
| 003 | 87522-ZE1-810 | MARK, CAUTION                  | 1       | 3254423        |
| 007 | 87528-ZE2-810 | MARK, CHOKE (ORANGE)           | 1       | 3165403        |
| 007 | 87528-ZE2-810 | MARK, CHOKE (ORANGE)           | 1       |                |
| 010 | 87532-ZB4-G60 | MARK, OIL ALERT (GERMAN)       | 1       | 3171791        |
| 012 | 87532-ZH8-810 | MARK, OIL ALERT (ENGLISH)      | 1       | 3116815        |
| 012 | 87532-ZH8-810 | MARK, OIL ALERT (ENGLISH)      | 1       | 3302521        |
| 019 | 87532-ZB4-H50 | MARK, OIL ALERT (FRENCH)       | 1       | 3171791        |



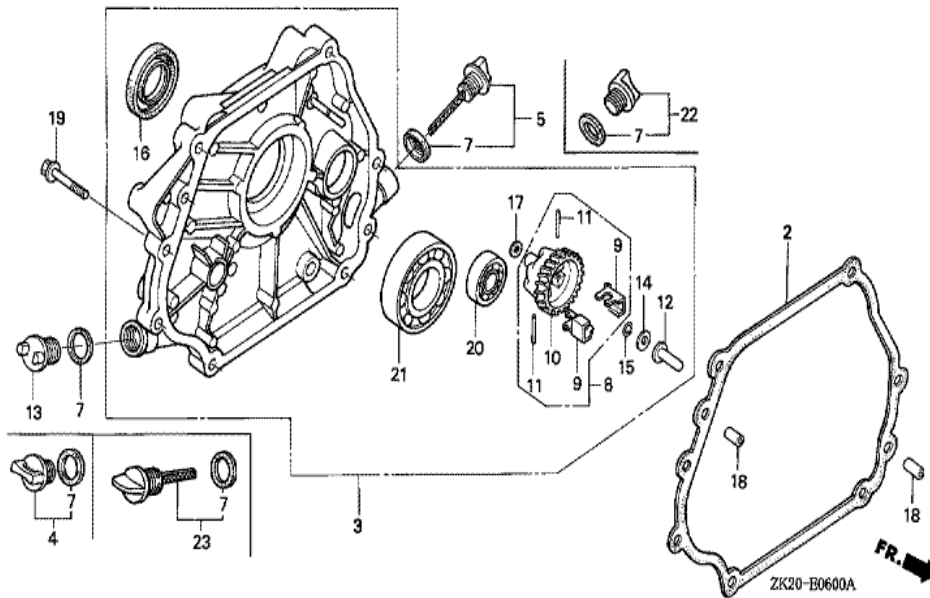
ZK20E2900A

| Ref | Partnumber    | Description              | GX240K1 | Serial Numbers |
|-----|---------------|--------------------------|---------|----------------|
| 013 | 89218-ZE1-000 | WRENCH COMP., SPARK PLUG | 1       |                |
| 013 | 89218-ZE1-000 | WRENCH COMP., SPARK PLUG | (1)     |                |

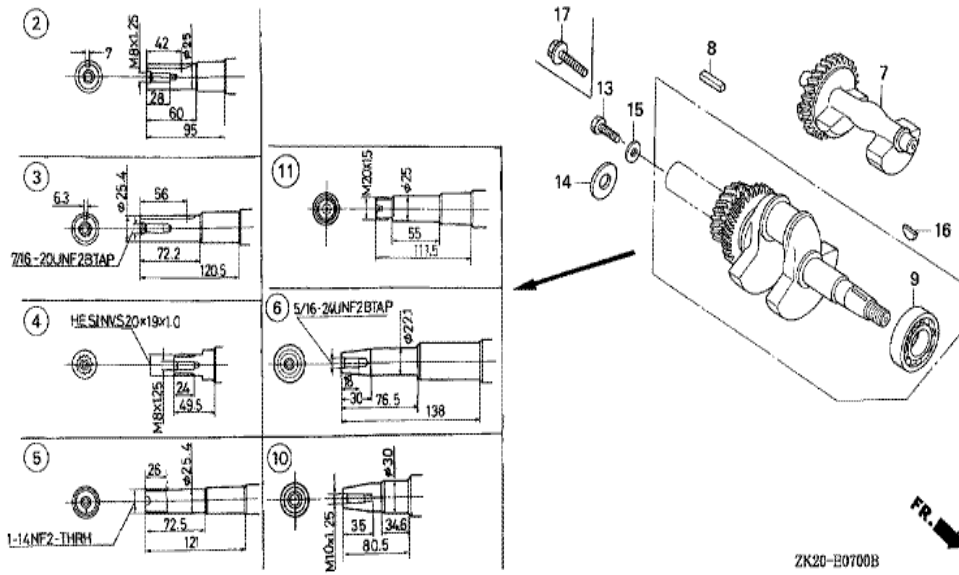


| <u>Ref</u> | <u>Partnumber</u> | <u>Description</u>                       | <u>GX240K1</u> | <u>Serial Numbers</u> |
|------------|-------------------|--|----------------|-----------------------|
| 001        | 12000-ZE2-844     | BARREL ASSY., CYLINDER (BALANCER+SELFSTA | 1              | 4081304               |
| 001        | 12000-ZE2-844     | BARREL ASSY., CYLINDER (BALANCER+SELFSTA | 1              |                       |
| 002        | 15510-ZE2-043     | SWITCH ASSY., OIL LEVEL                  | 1              |                       |
| 003        | 16541-ZE2-010     | SHAFT, GOVERNOR ARM                      | 1              |                       |
| 004        | 32197-ZE2-003     | SUB HARNESS                              | 1              | 3566259               |
| 004        | 32197-ZE2-003     | SUB HARNESS                              | 1              | 3566259               |
| 005        | 90013-883-000     | BOLT, FLANGE, 6X12 (CT200)               | 1              | 3116815 3566259       |
| 005        | 90013-883-000     | BOLT, FLANGE, 6X12 (CT200)               | 1              | 3566259               |
| 006        | 90131-883-000     | BOLT, DRAIN PLUG, 12X15                  | 2              |                       |
| 007        | 90446-KE1-000     | WASHER, 8.2X17X0.8                       | 1              |                       |
| 008        | 94109-12000       | WASHER, DRAIN PLUG, 12MM                 | 2              |                       |
| 010        | 91201-890-003     | OIL SEAL, 30X46X8                        | 1              |                       |
| 012        | 91353-671-004     | O-RING, 14MM (NOK)                       | 1              |                       |
| <u>Ref</u> | <u>Partnumber</u> | <u>Description</u>                       | <u>GX240K1</u> | <u>Serial Numbers</u> |
| 013        | 94050-10000       | NUT, FLANGE, 10MM                        | 1              |                       |
| 014        | 94251-08000       | PIN, LOCK, 8MM                           | 1              | 3332421               |
| 014        | 94251-10000       | PIN, LOCK, 10MM                          | 1              | 3332422               |
| 014        | 94251-10000       | PIN, LOCK, 10MM                          | 1              | 3332422               |
| 015        | 95701-0601200     | BOLT, FLANGE, 6X12                       | 2              |                       |
| 016        | 96100-6202000     | BEARING, RADIAL BALL, 6202               | 1              |                       |

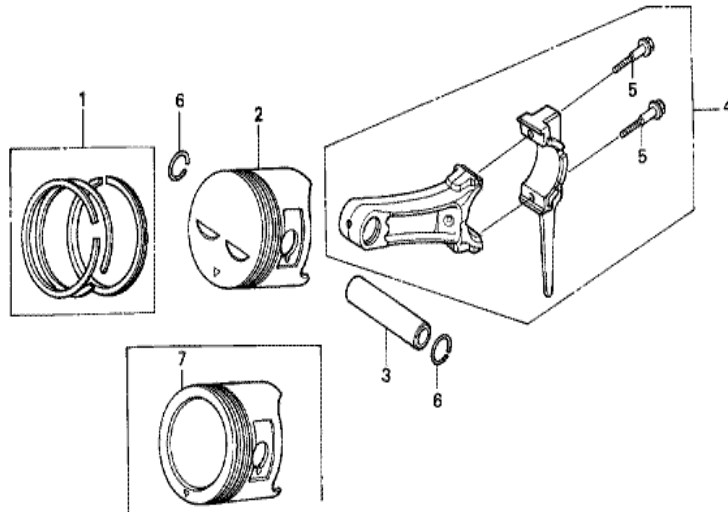




| <u>Ref</u> | <u>Partnumber</u> | <u>Description</u>         | <u>GX240K1</u> | <u>Serial Numbers</u> |
|------------|-------------------|----------------------------|----------------|-----------------------|
| 003        | 11400-ZE2-601     | COVER ASSY., CRANKCASE     | 1              | 4211335               |
| 003        | 11400-ZE2-601     | COVER ASSY., CRANKCASE     | 1              |                       |
| 004        | 15600-ZG4-003     | CAP ASSY., OIL FILLER      | 1              | 3634565               |
| 005        | 15600-735-003     | CAP ASSY., OIL FILLER      | 1              | 3634565               |
| 007        | 15625-ZE1-003     | PACKING, OIL FILLER CAP    | 1              |                       |
| 007        | 15625-ZE1-003     | PACKING, OIL FILLER CAP    | 2              |                       |
| 008        | 16510-ZE2-811     | GOVERNOR ASSY.             | 1              | 3156815               |
| 008        | 16510-ZE2-811     | GOVERNOR ASSY.             | 1              |                       |
| 009        | 16511-ZE2-000     | WEIGHT, GOVERNOR           | 2              | 3634565               |
| 010        | 16512-ZE2-811     | HOLDER, GOVERNOR WEIGHT    | 1              | 3156815               |
| 010        | 16512-ZE2-811     | HOLDER, GOVERNOR WEIGHT    | 1              |                       |
| 011        | 16513-ZE2-000     | PIN, GOVERNOR WEIGHT       | 2              | 3634565               |
| 012        | 16531-Z0A-000     | SLIDER, GOVERNOR           | 1              |                       |
| <u>Ref</u> | <u>Partnumber</u> | <u>Description</u>         | <u>GX240K1</u> | <u>Serial Numbers</u> |
| 012        | 16531-Z0A-000     | SLIDER, GOVERNOR           | 1              |                       |
| 015        | 90602-896-000     | CLIP, GOVERNOR HOLDER      | (1)            |                       |
| 015        | 90602-ZE1-000     | CLIP, GOVERNOR HOLDER      | 1              | 3634565               |
| 015        | 90602-ZE1-000     | CLIP, GOVERNOR HOLDER      | 1              |                       |
| 016        | 91201-890-003     | OIL SEAL, 30X46X8          | 1              | 3634565               |
| 016        | 91201-890-003     | OIL SEAL, 30X46X8          | 1              |                       |
| 017        | 94101-06800       | WASHER, PLAIN, 6MM         | 1              | 3634565               |
| 018        | 90701-HC4-000     | DOWEL PIN, 8X12            | 2              | 3634565               |
| 019        | 95701-0803500     | BOLT, FLANGE, 8X35         | 7              | 3634565               |
| 020        | 96100-6202000     | BEARING, RADIAL BALL, 6202 | 1              |                       |
| 021        | 96100-6206000     | BEARING, RADIAL BALL, 6206 | 1              | 3634565               |



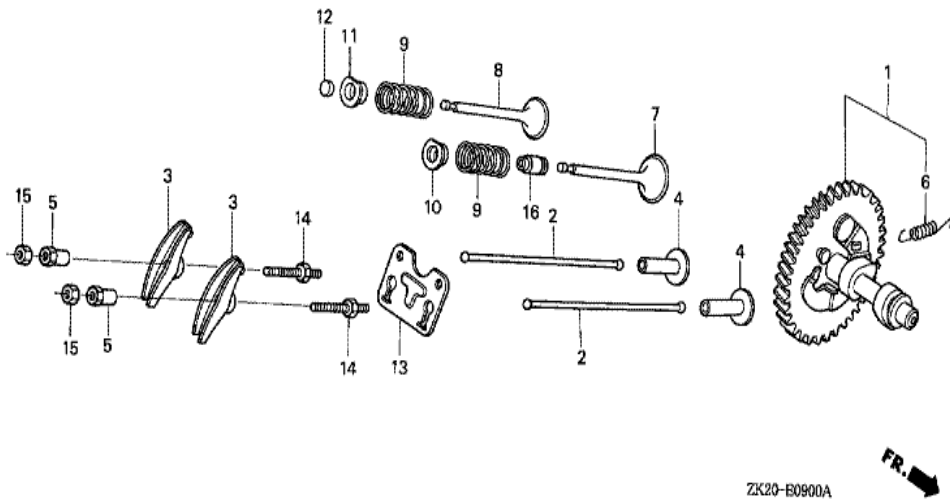
| Ref | Partnumber    | Description                  | GX240K1 | Serial Numbers |
|-----|---------------|------------------------------|---------|----------------|
| 005 | 13320-ZE2-651 | CRANKSHAFT COMP.             | 1       |                |
| 005 | 13320-ZE2-651 | CRANKSHAFT COMP.             | 1       |                |
| 007 | 13351-ZE2-010 | WEIGHT, BALANCER             | 1       |                |
| 009 | 96100-6206000 | BEARING, RADIAL BALL, 6206   | 1       |                |
| 016 | 90741-ZE2-000 | KEY, SPECIAL WOODRUFF, 25X18 | 1       |                |
| 016 | 90741-ZE2-000 | KEY, SPECIAL WOODRUFF, 25X18 | 1       |                |



ZK20-E0800A



| <u>Ref</u> | <u>Partnumber</u> | <u>Description</u>                      | <u>GX240K1</u> | <u>Serial Numbers</u> |
|------------|-------------------|---|----------------|-----------------------|
| 001        | 13010-ZE2-013     | RING SET, PISTON (STD.) (NIPPON)        | 1              | 4081304               |
| 001        | 13010-ZE2-013     | RING SET, PISTON (STD.) (NIPPON)        | 1              |                       |
| 001        | 13010-ZE2-014     | RING SET, PISTON (STD.) (TEIKOKU)       | 1              | 4081304               |
| 001        | 13010-ZE2-014     | RING SET, PISTON (STD.) (TEIKOKU)       | 1              |                       |
| 001        | 13011-ZE2-013     | RING SET, PISTON (0.25) (NIPPON)        | (1)            | 4081304               |
| 001        | 13011-ZE2-013     | RING SET, PISTON (0.25) (NIPPON)        | (1)            |                       |
| 001        | 13011-ZE2-014     | RING SET, PISTON (0.25) (TEIKOKU)       | (1)            |                       |
| 001        | 13011-ZE2-014     | RING SET, PISTON (0.25) (TEIKOKU)       | (1)            |                       |
| 001        | 13012-ZE2-013     | RING SET, PISTON (0.50) (NIPPON)        | (1)            |                       |
| 001        | 13012-ZE2-013     | RING SET, PISTON (0.50) (NIPPON)        | (1)            |                       |
| 001        | 13012-ZE2-014     | RING SET, PISTON (0.50) (TEIKOKU)       | (1)            |                       |
| 001        | 13012-ZE2-014     | RING SET, PISTON (0.50) (TEIKOKU)       | (1)            |                       |
| 001        | 13012-ZE2-014     | RING SET, PISTON (0.50) (TEIKOKU)       | (1)            |                       |
| 001        | 13013-ZE2-013     | RING SET, PISTON (0.75) (NIPPON)        | (1)            |                       |
| <u>Ref</u> | <u>Partnumber</u> | <u>Description</u>                      | <u>GX240K1</u> | <u>Serial Numbers</u> |
| 001        | 13013-ZE2-013     | RING SET, PISTON (0.75) (NIPPON)        | (1)            |                       |
| 001        | 13013-ZE2-014     | RING SET, PISTON (0.75) (TEIKOKU)       | (1)            | 4081304               |
| 001        | 13013-ZE2-014     | RING SET, PISTON (0.75) (TEIKOKU)       | (1)            |                       |
| 002        | 13101-ZE2-W00     | PISTON (STD.)                           | 1              | 4869814               |
| 002        | 13102-ZE2-W00     | PISTON (0.25)                           | (1)            |                       |
| 002        | 13102-ZE2-W00     | PISTON (0.25)                           | (1)            |                       |
| 002        | 13103-ZE2-W00     | PISTON (0.50)                           | (1)            | 4869814               |
| 002        | 13103-ZE2-W00     | PISTON (0.50)                           | (1)            |                       |
| 002        | 13104-ZE2-W00     | PISTON (0.75)                           | (1)            |                       |
| 002        | 13104-ZE2-W00     | PISTON (0.75)                           | (1)            |                       |
| 003        | 13111-ZE2-000     | PIN, PISTON                             | 1              |                       |
| 004        | 13200-ZE2-010     | ROD ASSY., CONNECTING (STD.)            | 1              |                       |
| 004        | 13200-ZE2-305     | ROD ASSY., CONNECTING (0.25 UNDER SIZE) | (1)            |                       |
| 004        | 13200-ZE2-305     | ROD ASSY., CONNECTING (0.25 UNDER SIZE) | (1)            |                       |
| 005        | 90001-ZE8-000     | BOLT, CONNECTING ROD                    | 2              |                       |
| 006        | 90551-ZE1-000     | CLIP, PISTON PIN, 18MM                  | 2              |                       |



ZK20-E0900A



| <u>Ref</u> | <u>Partnumber</u> | <u>Description</u>         | <u>GX240K1</u> | <u>Serial Numbers</u> |
|------------|-------------------|----------------------------|----------------|-----------------------|
| 001        | 14100-ZH9-000     | CAMSHAFT ASSY.             | 1              |                       |
| 001        | 14100-ZH9-000     | CAMSHAFT ASSY.             | 1              | 3620888               |
| 001        | 14100-ZH9-010     | CAMSHAFT ASSY.             | 1              | 3620889               |
| 001        | 14100-ZH9-010     | CAMSHAFT ASSY.             | 1              | 3620889               |
| 002        | 14410-ZE2-013     | ROD, PUSH                  | 2              |                       |
| 003        | 14431-ZE2-000     | ARM, VALVE ROCKER          | 2              |                       |
| 004        | 14441-ZE2-000     | LIFTER, VALVE              | 2              |                       |
| 005        | 14451-ZE1-013     | PIVOT, ROCKER ARM          | 2              |                       |
| 006        | 14568-ZE1-000     | SPRING, WEIGHT RETURN      | 1              |                       |
| 007        | 14711-ZE2-000     | VALVE, IN.                 | 1              |                       |
| 008        | 14721-ZE2-000     | VALVE, EX.                 | 1              |                       |
| 009        | 14751-ZE2-003     | SPRING, VALVE              | 2              |                       |
| 010        | 14771-ZE2-000     | RETAINER, IN. VALVE SPRING | 1              |                       |
| <u>Ref</u> | <u>Partnumber</u> | <u>Description</u>         | <u>GX240K1</u> | <u>Serial Numbers</u> |
| 011        | 14773-ZE2-000     | RETAINER, EX. VALVE SPRING | 1              |                       |
| 011        | 14773-ZE2-000     | RETAINER, EX. VALVE SPRING | 1              |                       |
| 012        | 14781-ZE2-000     | ROTATOR, VALVE             | 1              |                       |
| 013        | 14791-ZE2-010     | GUIDE, PUSH ROD            | 1              |                       |
| 014        | 90012-ZE0-010     | BOLT, PIVOT, 8MM           | 2              |                       |
| 015        | 90206-ZE1-000     | NUT, PIVOT ADJUSTING       | 2              |                       |