



ZK20-E1100A

FR. →

Ref	Partnumber	Description	GX240K1	Serial Numbers
001	28400-ZE2-W01ZA	STARTER ASSY., RECOIL *R8 *	1	
001	28400-ZE2-W01ZB	STARTER ASSY., RECOIL *NH1*	1	
001	28400-ZE2-W01ZB	STARTER ASSY., RECOIL *NH1*	1	
002	28410-ZE2-W01ZA	CASE COMP., RECOIL STARTER *R8 *	1	
002	28410-ZE2-W01ZB	CASE COMP., RECOIL STARTER *NH1 *	1	
002	28410-ZE2-W01ZB	CASE COMP., RECOIL STARTER *NH1 *	1	
003	28421-ZE2-W01	PULLEY, RECOIL STARTER	1	
004	28422-ZE2-W01	RATCHET, STARTER	2	
005	28441-ZE2-W01	SPRING, FRICTION	1	
006	28442-ZE2-W01	SPRING, STARTER RETURN	1	
007	28443-ZE2-W01	SPRING, RATCHET	2	
008	28444-ZE2-W01	RETAINER, SPRING	1	
010	28461-ZE2-W02	GRIP, STARTER	1	4914022
<u>Ref</u>	<u>Partnumber</u>	<u>Description</u>	<u>GX240K1</u>	<u>Serial Numbers</u>
011	28462-ZE2-W01	ROPE, RECOIL STARTER	1	3793540
011	28462-ZE2-W01	ROPE, RECOIL STARTER	1	3793540
011	28462-ZE2-W11	ROPE, RECOIL STARTER	1	
011	28462-ZE2-W11	ROPE, RECOIL STARTER	1	3793541
012	28469-ZE2-W01	REINFORCEMENT, GRIP	1	
012	28469-ZE2-W01	REINFORCEMENT, GRIP	1	3793540
013	90004-ZE2-W01	SCREW, CENTER	1	
014	90008-ZE2-003	BOLT, FLANGE, 6X10	3	



Ref	Partnumber	Description	GX240K1	Serial Numbers	
002	16731-ZE2-003	CLIP, TUBE	1		
003	19610-ZE2-010ZA	COVER COMP., FAN *R8 *	1		
003	19610-ZE2-010ZC	COVER COMP., FAN *NH1 *	1		
005	19631-ZE2-D00	SHROUD	1		
009	32197-ZH8-003	SUB HARNESS	1	3116815	3566259
009	32197-ZH8-003	SUB HARNESS	1		3566259
012	36100-ZE1-015	SWITCH ASSY., ENGINE STOP	1		3313581
012	36100-ZE1-015	SWITCH ASSY., ENGINE STOP	1		3566259
012	36100-ZH7-003	SWITCH ASSY., ENGINE STOP	1		
012	36100-ZH7-003	SWITCH ASSY., ENGINE STOP	1	3566260	
014	90013-883-000	BOLT, FLANGE, 6X12 (CT200)	8		3116814
014	90013-883-000	BOLT, FLANGE, 6X12 (CT200)	6	3116815	
016	90684-ZA0-601	CLIP, HARNESS	1	3132286	



FR. →

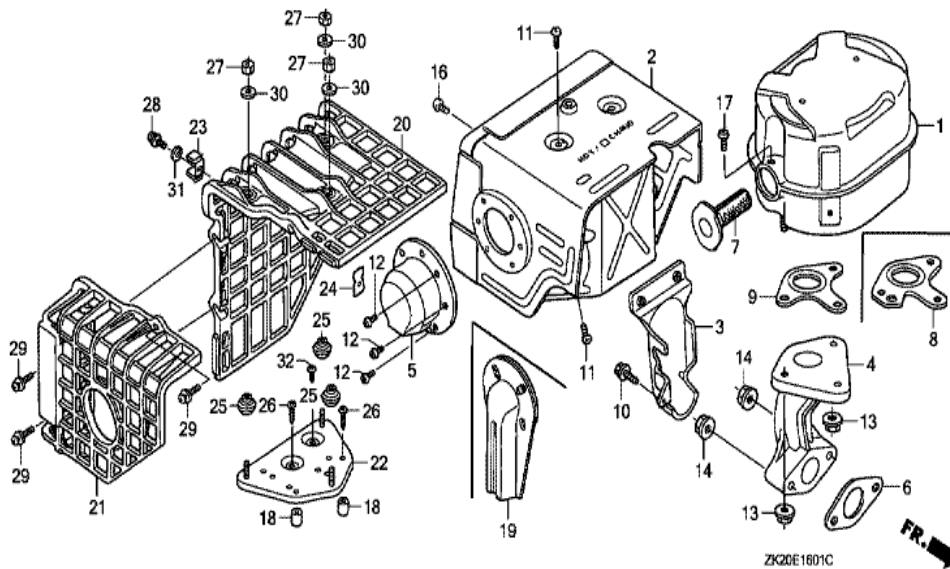
ZK20E1403E

Ref	Partnumber	Description	GX240K1	Serial Numbers
001	16010-ZE2-812	GASKET SET	1	
002	16011-ZA0-931	VALVE SET, FLOAT	1	
003	16013-ZA0-931	FLOAT SET	1	
004	16015-ZE2-005	CHAMBER SET, FLOAT	(1)	BE15G A
004	16015-ZE2-005	CHAMBER SET, FLOAT	1	BE70B A
006	16028-ZE0-005	SCREW SET	1	
007	16044-ZE2-005	CHOKE SET	1	
008	16100-ZE2-W70	CARBURETOR ASSY. (BE70B A)	1	3453330
008	16100-ZE2-W70	CARBURETOR ASSY. (BE70B A)	1	3453330
008	16100-ZE2-W71	CARBURETOR ASSY. (BE70B B/C)	1	
008	16100-ZE2-W71	CARBURETOR ASSY. (BE70B B/C)	1	3453331
009	16124-ZE0-005	SCREW, THROTTLE STOP	1	
010	16166-ZE2-W70	NOZZLE, MAIN	1	

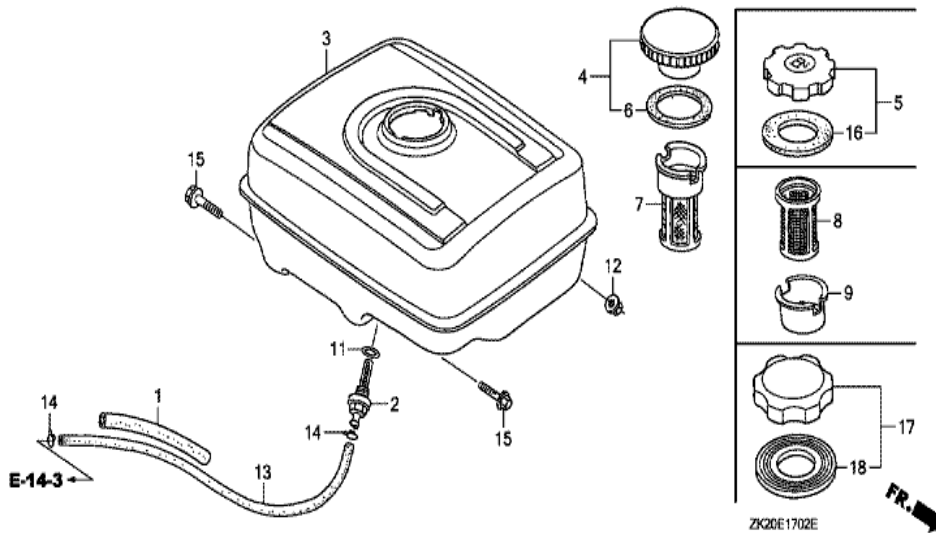
<u>Ref</u>	<u>Partnumber</u>	<u>Description</u>	<u>GX240K1</u>	<u>Serial Numbers</u>
010	16166-ZE2-W70	NOZZLE, MAIN	1	
011	16173-001-004	PACKING, FUEL STRAINER CUP	(1)	
012	16211-ZE2-000	INSULATOR, CARBURETOR	1	4926607
013	16220-ZA0-702	SPACER COMP., CARBURETOR	1	
014	16221-ZA0-800	PACKING, CARBURETOR	(1)	
014	16221-ZA0-800	PACKING, CARBURETOR	1	
015	16223-ZA0-800	PACKING, INSULATOR	1	3151975
015	16223-ZA0-800	PACKING, INSULATOR	1	
016	16610-ZE1-000	LEVER COMP., CHOKE (STD.)	1	
017	16953-ZE1-812	LEVER, COCK	1	BE16D B
017	16953-ZE1-812	LEVER, COCK	1	
018	16954-ZE1-812	PLATE, LEVER SETTING	1	BE70A B
019	16956-ZE1-811	SPRING, COCK LEVER	(1)	
020	16957-ZE1-812	PACKING, FUEL COCK	1	
021	16967-ZE0-811	CUP, FUEL STRAINER	1	
022	93500-030061H	SCREW, PAN, 3X6	2	
022	93500-030061H	SCREW, PAN, 3X6	2	BE16D B
023	94305-20122	PIN, SPRING, 2X12	1	
024	99101-ZH70820	JET, MAIN, #82	(1)	BE70B A
024	99101-ZH70820	JET, MAIN, #82	(1)	BE70B A
024	99101-ZH70850	JET, MAIN, #85	(1)	BE70B A
024	99101-ZH70850	JET, MAIN, #85	(1)	BE70B A
024	99101-ZH70880	JET, MAIN, #88	1	BE70B A
024	99101-ZH70880	JET, MAIN, #88	1	BE70B A
024	99101-ZH80820	JET, MAIN, #82	(1)	BE70B B
024	99101-ZH80820	JET, MAIN, #82	(1)	BE70B B
024	99101-ZH80850	JET, MAIN, #85	1	
024	99101-ZH80850	JET, MAIN, #85	(1)	BE70B B
024	99101-ZH80880	JET, MAIN, #88	1	BE70B B
024	99101-ZH80880	JET, MAIN, #88	1	BE70B B
025	99204-ZA00400	JET SET, PILOT, #40	1	BE70B C
025	99204-ZA00400	JET SET, PILOT, #40	1	BE70B C
025	99204-ZE00400	JET SET, PILOT, #40	1	BE70B B
<u>Ref</u>	<u>Partnumber</u>	<u>Description</u>	<u>GX240K1</u>	<u>Serial Numbers</u>
025	99204-ZE00400	JET SET, PILOT, #40	1	BE70B B BE70B B
025	99204-ZE20400	JET SET, PILOT, #40	1	BE70B A
025	99204-ZE20400	JET SET, PILOT, #40	1	BE70B A
026	16024-ZE1-811	SCREW SET, DRAIN	1	BE70A B
027	16172-ZE3-W10	COLLAR, SETTING	1	BE70B B
028	16015-ZE8-005	CHAMBER SET, FLOAT	1	BE70B B
028	16015-ZE8-005	CHAMBER SET, FLOAT	1	BE70B B
029	16016-ZH7-W01	SCREW SET, PILOT	1	



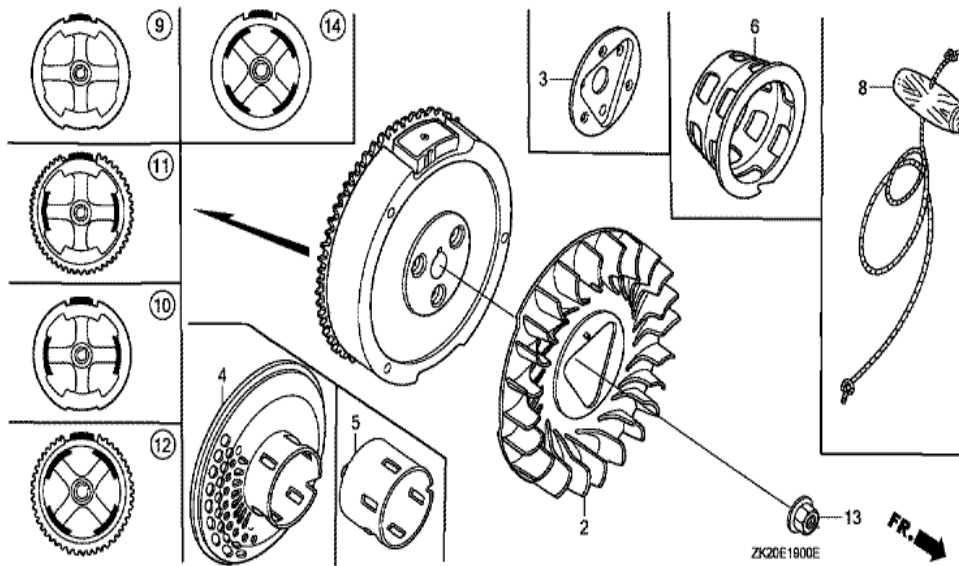
Ref	Partnumber	Description	GX240K1	Serial Numbers
001	16271-ZE2-000	PACKING, ELBOW	1	
002	17210-ZE2-822	ELEMENT, AIR CLEANER (DUAL)	1	
003	17218-ZE2-821	FILTER, OUTER	1	
005	17231-ZH9-820	COVER, AIR CLEANER	1	
006	17232-891-000	GROMMET, AIR CLEANER	1	
008	17238-ZE2-310	COLLAR, AIR CLEANER	2	
009	17239-ZE1-000	COLLAR B, AIR CLEANER	1	
010	17410-ZE2-020	ELBOW COMP., AIR CLEANER	1	
014	90325-044-000	NUT, TOOL BOX SETTING	2	
015	93494-0602008	BOLT-WASHER, 6X20	1	
015	93494-0602008	BOLT-WASHER, 6X20	1	
016	94050-06000	NUT, FLANGE, 6MM	2	



Ref	Partnumber	Description	GX240K1	Serial Numbers
001	18310-ZE2-W00	MUFFLER COMP.	1	
002	18320-ZE2-W01	PROTECTOR COMP., MUFFLER (STD.)	1	
003	18323-ZE2-W00	PROTECTOR, EX. PIPE	1	
004	18330-ZE2-W00	PIPE, EX.	1	
005	18331-ZE2-810	CAP, MUFFLER	1	
006	18333-ZE3-800	GASKET, EX. PIPE	(1)	
007	18355-ZE2-010	ARRESTER, SPARK	(1)	
007	18355-ZE2-010	ARRESTER, SPARK	(1)	
008	18381-ZE2-W10	GASKET, MUFFLER (ARRESTER) (NIPPON LEAKL	1	
008	18381-ZE2-W10	GASKET, MUFFLER (ARRESTER) (NIPPON LEAKL	(1)	
009	18381-ZE2-800	GASKET, MUFFLER (NIPPON LEAKLESS)	1	
010	90013-883-000	BOLT, FLANGE, 6X12 (CT200)	1	
011	90050-ZE1-000	SCREW, TAPPING, 5X8	4	
Ref	Partnumber	Description	GX240K1	Serial Numbers
012	90055-ZE1-000	SCREW, TAPPING, 4X6	3	
013	94050-08000	NUT, FLANGE, 8MM	3	
014	94050-08000	NUT, FLANGE, 8MM	2	
016	90050-ZE1-000	SCREW, TAPPING, 5X8	2	
017	90055-ZE1-000	SCREW, TAPPING, 4X6	1	
017	90055-ZE1-000	SCREW, TAPPING, 4X6	(1)	



<u>Ref</u>	<u>Partnumber</u>	<u>Description</u>	<u>GX240K1</u>	<u>Serial Numbers</u>
001	16854-ZH8-000	RUBBER, SUPPORTER (107MM)	1	3033266
001	16854-ZH8-000	RUBBER, SUPPORTER (107MM)	1	
002	16955-ZE1-000	JOINT, FUEL TANK	1	
003	17510-ZE2-010ZA	TANK COMP., FUEL *NH31 *	1	
003	17510-ZE2-010ZD	TANK COMP., FUEL *NH1 *	1	3187181
003	17510-ZE2-010ZD	TANK COMP., FUEL *NH1 *	1	
004	17620-ZE2-W00	CAP COMP., FUEL FILLER (CHROME PLATED)	1	3254423
005	17620-ZH7-023	CAP COMP., FUEL FILLER (BLACK)	1	3254424
005	17620-ZH7-023	CAP COMP., FUEL FILLER (BLACK)	1	3254424
006	17631-329-003	PACKING, FUEL FILLER CAP (39X58X3)	1	3254423
007	17672-ZE2-W01	FILTER, FUEL	1	3190917
007	17672-ZE2-W01	FILTER, FUEL	1	3190917
008	17672-880-000	FILTER, FUEL	1	3118370 3190916
<u>Ref</u>	<u>Partnumber</u>	<u>Description</u>	<u>GX240K1</u>	<u>Serial Numbers</u>
009	17673-893-000	HOLDER, FUEL FILTER	1	3118370 3190916
011	91353-671-004	O-RING, 14MM (NOK)	1	
012	94050-08000	NUT, FLANGE, 8MM	2	
013	95001-4522240	TUBE, FUEL, 4.5X222 (95001-45001-60M)	1	
014	95002-02080	CLIP, TUBE (B8)	2	
015	95701-0802500	BOLT, FLANGE, 8X25	2	
015	95701-0802500	BOLT, FLANGE, 8X25	2	
016	17631-ZH7-003	PACKING, FUEL FILLER CAP (39X58X3)	1	3254424
016	17631-ZH7-003	PACKING, FUEL FILLER CAP (39X58X3)	1	3254424



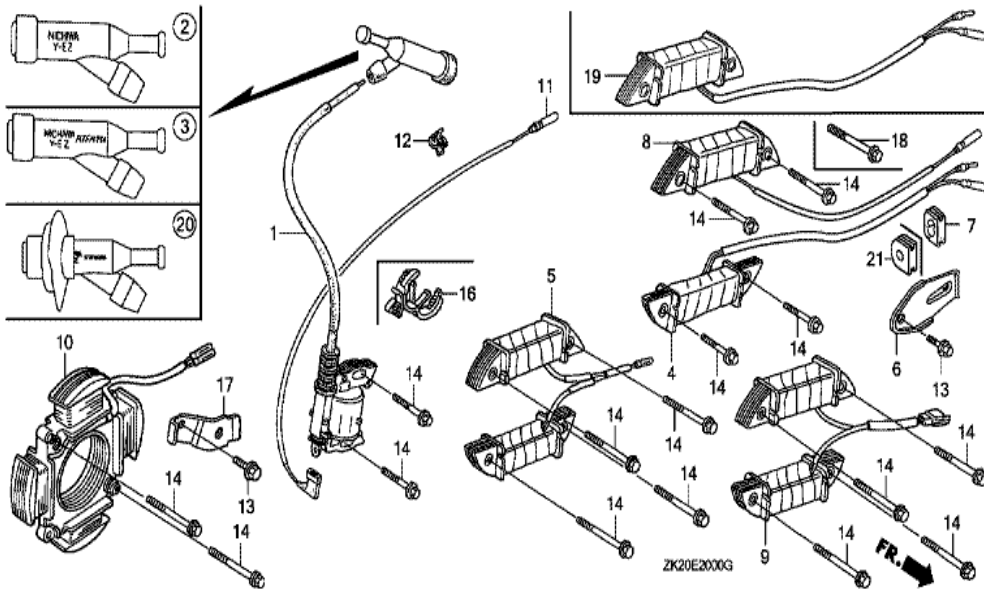
Ref	Partnumber	Description	GX240K1	Serial Numbers
002	19511-ZE2-000	FAN, COOLING	1	
004	28450-ZE2-W11	PULLEY COMP., STARTER (SCREEN GRID)	1	
009	31100-ZE2-010	FLYWHEEL COMP.	1	3337056
013	90201-ZE3-790	NUT, SPECIAL, 16MM	1	3467138
013	90201-ZE3-790	NUT, SPECIAL, 16MM	1	4835166
013	90201-ZE3-V00	NUT, SPECIAL, 16MM	1	
013	90201-ZE3-V00	NUT, SPECIAL, 16MM	1	3467139





Ref	Partnumber	Description	GX240K1	Serial Numbers
001	12200-ZH9-000	HEAD COMP., CYLINDER	1	
002	12204-ZE2-306	GUIDE, IN. VALVE (O.S.)	1	
003	12205-ZE2-305	GUIDE, EX. VALVE (OS)	1	
004	12216-ZE2-300	CLIP, VALVE GUIDE	1	
005	12251-ZE2-800	GASKET, CYLINDER HEAD	1	
006	12310-ZE2-020	COVER COMP., HEAD	1	3146327
006	12310-ZE2-020	COVER COMP., HEAD	1	
007	12391-ZE2-020	PACKING, HEAD COVER	1	
008	14775-ZE2-010	SEAT, VALVE SPRING	1	
011	90014-ZE2-000	BOLT, HEAD COVER	1	
012	90042-ZE2-000	BOLT, STUD, 8X123	2	
012	90042-ZE2-000	BOLT, STUD, 8X123	2	
013	90047-ZE2-000	BOLT, STUD, 8X47	2	

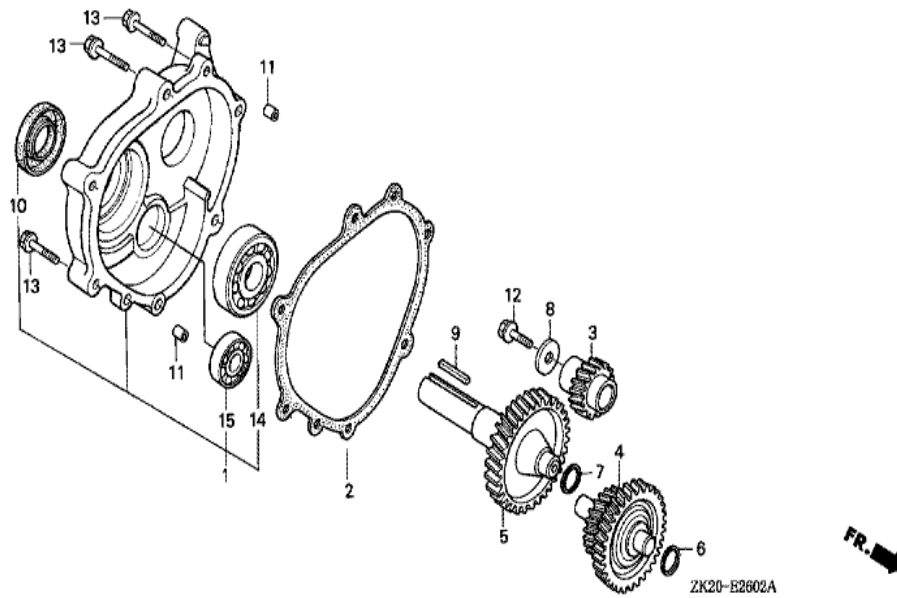
<u>Ref</u>	<u>Partnumber</u>	<u>Description</u>	<u>GX240K1</u>	<u>Serial Numbers</u>
013	90047-ZE2-000	BOLT, STUD, 8X47	2	3844352
013	92900-080320E	BOLT, STUD, 8X32	2	
013	92900-080320E	BOLT, STUD, 8X32	2	3844353
014	90441-ZE2-010	WASHER COMP., HEAD COVER	1	
015	94301-12200	DOWEL PIN, 12X20	2	
017	95005-1110030	TUBE, 11X100 (95005-11001-30M)	1	
017	95005-1110030	TUBE, 11X100 (95005-11001-30M)	1	3454868
017	95005-1110530	TUBE, 11X105 (95005-11001-30M)	1	3454867
017	95005-1110530	TUBE, 11X105 (95005-11001-30M)	1	3454867
018	95725-1008000	BOLT, FLANGE, 10X80	4	4847591
018	95725-1008000	BOLT, FLANGE, 10X80	4	
019	98079-55846	PLUG, SPARK (BPR5ES) (NGK)	1	
019	98079-55846	PLUG, SPARK (BPR5ES) (NGK)	(1)	
019	98079-55855	PLUG, SPARK (W16EPR-U) (DENSO)	1	
019	98079-55855	PLUG, SPARK (W16EPR-U) (DENSO)	(1)	
019	98079-56846	PLUG, SPARK (BPR6ES) (NGK)	1	3860625
019	98079-56846	PLUG, SPARK (BPR6ES) (NGK)	1	
019	98079-56855	PLUG, SPARK (W20EPR-U) (DENSO)	1	
019	98079-56855	PLUG, SPARK (W20EPR-U) (DENSO)	1	



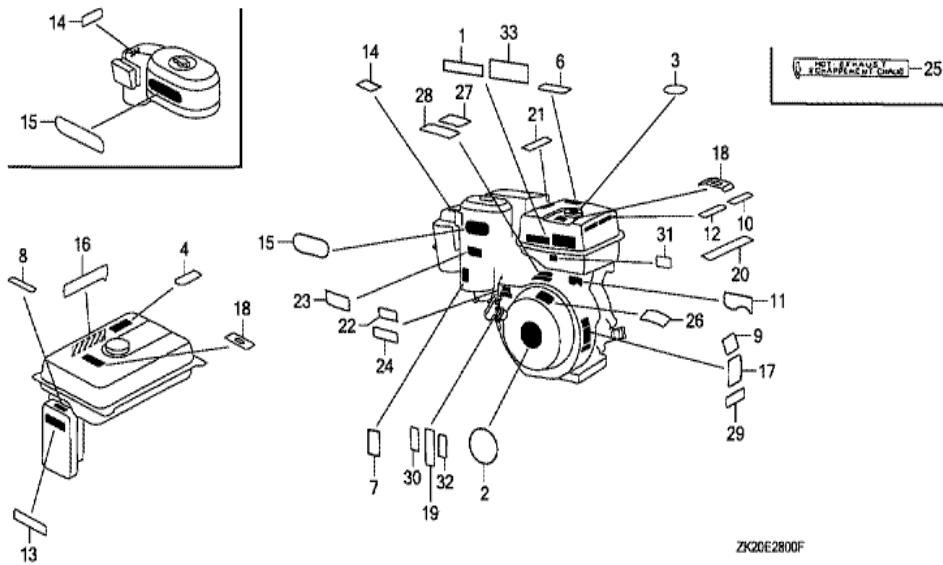
Ref	Partnumber	Description	GX240K1	Serial Numbers
001	30500-ZF6-W02	COIL ASSY., IGNITION	1	
001	30500-ZF6-W02	COIL ASSY., IGNITION	1	
003	30700-ZE1-013	CAP ASSY., NOISE SUPPRESSOR (NICHIIWA Y-E	1	3860625
007	31512-ZE2-000	GROMMET, CORD	1	
011	36101-ZE1-010	CORD, STOP SWITCH (370MM)	1	
014	90015-883-000	BOLT, FLANGE, 6X28 (CT200)	N	



<u>Ref</u>	<u>Partnumber</u>	<u>Description</u>	<u>GX240K1</u>	<u>Serial Numbers</u>
002	16551-ZE2-000	ARM, GOVERNOR	1	
003	16555-ZE2-000	ROD, GOVERNOR	1	
003	16555-ZE2-000	ROD, GOVERNOR	1	
004	16561-ZE2-000	SPRING, GOVERNOR (L=145.0MM) (WIRE DIAME	1	3156815
005	16562-ZE2-000	SPRING, THROTTLE RETURN	1	3337056
006	16570-ZE2-W00	CONTROL ASSY.	1	
011	16571-ZE2-W00	LEVER, CONTROL	1	
011	16571-ZE2-W00	LEVER, CONTROL	1	
012	16574-ZE1-000	SPRING, LEVER	1	3077713
013	16575-ZE2-W00	WASHER, CONTROL LEVER	1	3454257
015	16578-ZE1-000	SPACER, CONTROL LEVER	1	
016	16581-ZE2-W00	BASE COMP., CONTROL (###)	1	3454257
016	16581-ZE2-W00	BASE COMP., CONTROL (###)	1	
<u>Ref</u>	<u>Partnumber</u>	<u>Description</u>	<u>GX240K1</u>	<u>Serial Numbers</u>
017	16584-883-300	SPRING, CONTROL ADJUSTING	(1)	
023	90013-883-000	BOLT, FLANGE, 6X12 (CT200)	2	
024	90015-ZE5-010	BOLT, GOVERNOR ARM	1	
026	90114-SA0-000	NUT, SELF-LOCK, 6MM	1	3454257
029	93500-050280A	SCREW, PAN, 5X28	1	3454257
029	93500-050280A	SCREW, PAN, 5X28	1	
031	94050-06000	NUT, FLANGE, 6MM	1	

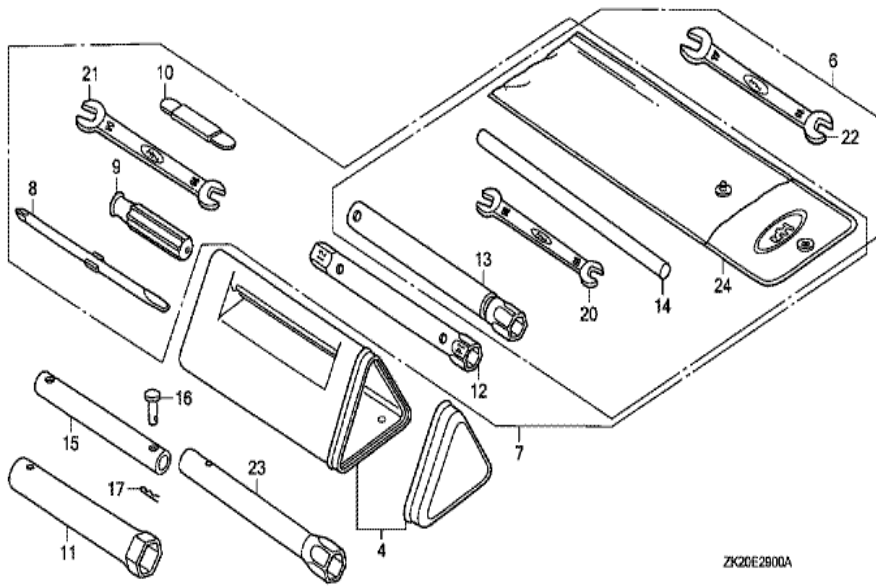


<u>Ref</u>	<u>Partnumber</u>	<u>Description</u>	<u>GX240K1</u>	<u>Serial Numbers</u>
001	11500-ZE2-620	COVER ASSY., REDUCTION CASE	1	
002	11521-ZE2-800	PACKING, CHAIN CASE COVER	1	
003	22103-ZE2-620	GEAR, PRIMARY DRIVE (17T)	1	
004	23220-ZE2-621	COUNTERSHAFT COMP. (18T/40T)	1	
005	23710-ZE2-621	SHAFT, P.T.O. (46T)	1	
006	90401-ZE2-620	SHIM A	(N)	
007	90402-ZE2-620	SHIM B	(N)	
008	90473-842-000	WASHER, 8MM	1	
009	90745-ZE2-600	KEY, 6.3X6.3X43	1	
010	91201-890-003	OIL SEAL, 30X46X8	1	
011	94301-08140	DOWEL PIN, 8X14	2	
012	95701-0802500	BOLT, FLANGE, 8X25	1	
013	95701-0804000	BOLT, FLANGE, 8X40	6	
<u>Ref</u>	<u>Partnumber</u>	<u>Description</u>	<u>GX240K1</u>	<u>Serial Numbers</u>
014	96100-6206000	BEARING, RADIAL BALL, 6206	1	
015	96100-6302000	BEARING, RADIAL BALL, 6302	1	



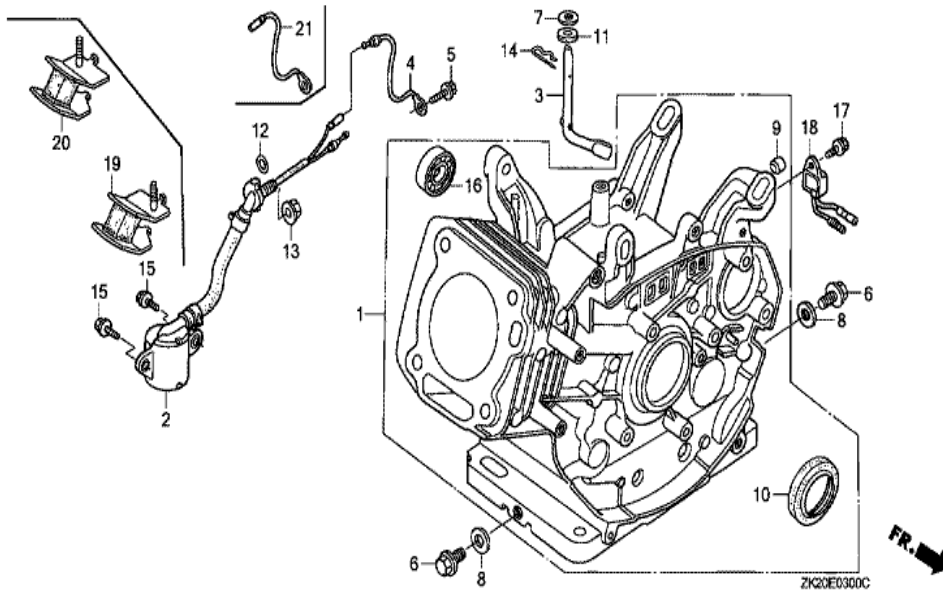
ZK20E2800F

Ref	Partnumber	Description	GX240K1	Serial Numbers
001	87522-ZH9-010	LABEL, CAUTION (ENGLISH, ETC.)	1	
001	87522-ZH9-010	LABEL, CAUTION (ENGLISH, ETC.)	1	
002	87521-ZE2-W01	EMBLEM (GX240 HONDA 8.0)	1	3117235
002	87521-ZE2-W01	EMBLEM (GX240 HONDA 8.0)	1	4192760
002	87521-ZE2-W02	EMBLEM (GX240 HONDA 8.0)	1	4465232
002	87521-ZE2-W02	EMBLEM (GX240 HONDA 8.0)	1	4192761
003	87522-ZE1-810	MARK, CAUTION	1	3254423
003	87522-ZE1-810	MARK, CAUTION	1	3254423
007	87528-ZE2-810	MARK, CHOKE (ORANGE)	1	3165403
007	87528-ZE2-810	MARK, CHOKE (ORANGE)	1	
010	87532-ZB4-G60	MARK, OIL ALERT (GERMAN)	1	3171791
010	87532-ZB4-G60	MARK, OIL ALERT (GERMAN)	1	3171791
010	87532-ZB4-H50	MARK, OIL ALERT (FRENCH)	(1)	3171791 3481104
Ref	Partnumber	Description	GX240K1	Serial Numbers
010	87532-ZB4-H50	MARK, OIL ALERT (FRENCH)	1	3171791
012	87532-ZH8-810	MARK, OIL ALERT (ENGLISH)	1	3116815 3302521
012	87532-ZH8-810	MARK, OIL ALERT (ENGLISH)	1	
021	87586-ZH7-W00	LABEL, FUEL CAUTION	1	3333248



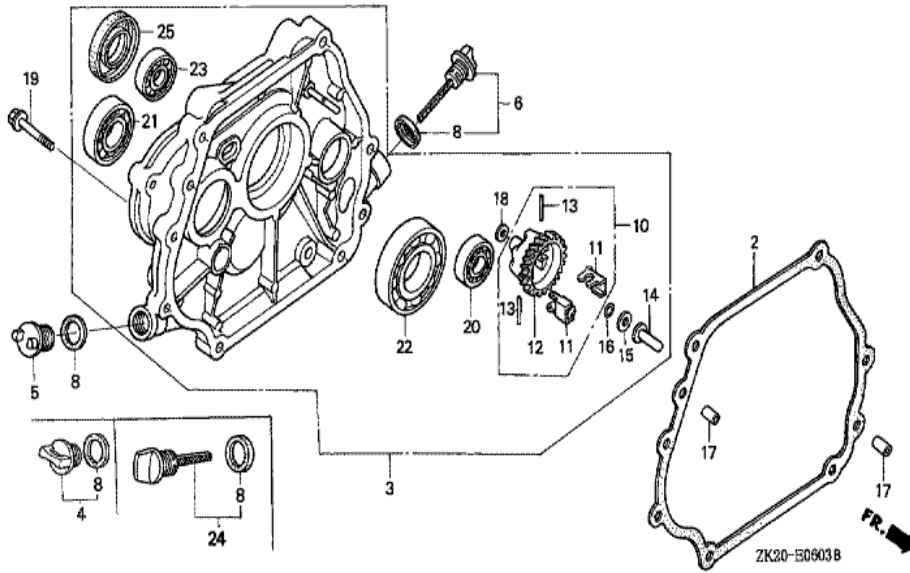
ZK20E2900A

Ref	Partnumber	Description	GX240K1	Serial Numbers
013	89218-ZE1-000	WRENCH COMP., SPARK PLUG	1	
013	89218-ZE1-000	WRENCH COMP., SPARK PLUG	(1)	



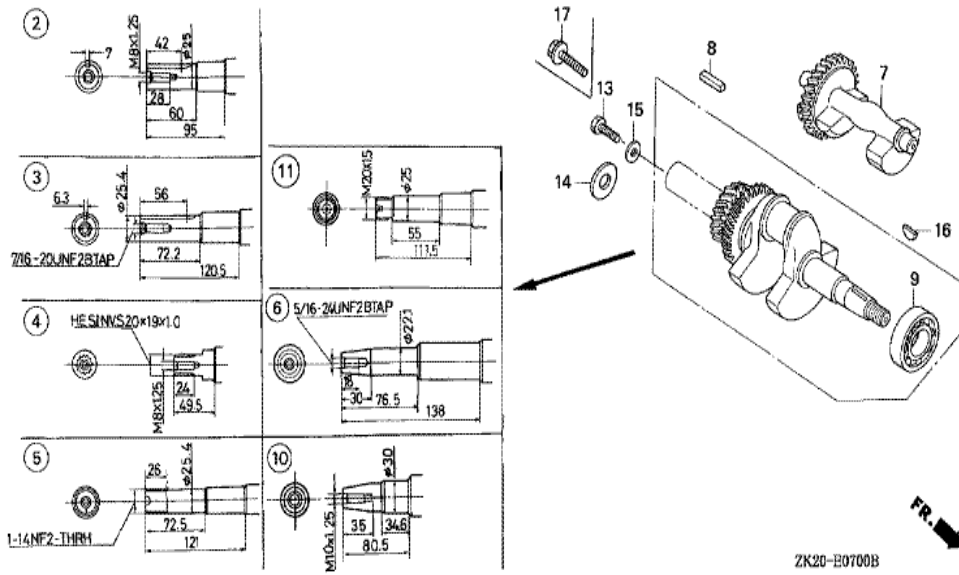
Ref	Partnumber	Description	GX240K1	Serial Numbers
001	12000-ZE2-834	BARREL ASSY., CYLINDER (BALANCER+ALERT)	1	4081304
001	12000-ZE2-834	BARREL ASSY., CYLINDER (BALANCER+ALERT)	1	4081304
001	12000-ZE2-835	BARREL ASSY., CYLINDER (BALANCER+ALERT)	1	4081305
001	12000-ZE2-835	BARREL ASSY., CYLINDER (BALANCER+ALERT)	1	4081305
002	15510-ZE2-043	SWITCH ASSY., OIL LEVEL	1	
003	16541-ZE2-010	SHAFT, GOVERNOR ARM	1	
004	32197-ZE2-003	SUB HARNESS	1	3566259
004	32197-ZE2-003	SUB HARNESS	1	3566259
005	90013-883-000	BOLT, FLANGE, 6X12 (CT200)	1	3116815 3566259
005	90013-883-000	BOLT, FLANGE, 6X12 (CT200)	1	3566259
006	90131-883-000	BOLT, DRAIN PLUG, 12X15	2	
007	90446-KE1-000	WASHER, 8.2X17X0.8	1	
008	94109-12000	WASHER, DRAIN PLUG, 12MM	2	
Ref	Partnumber	Description	GX240K1	Serial Numbers
010	91201-890-003	OIL SEAL, 30X46X8	1	
012	91353-671-004	O-RING, 14MM (NOK)	1	
013	94050-10000	NUT, FLANGE, 10MM	1	
014	94251-08000	PIN, LOCK, 8MM	1	3332421
014	94251-10000	PIN, LOCK, 10MM	1	3332422
014	94251-10000	PIN, LOCK, 10MM	1	3332422
015	95701-0601200	BOLT, FLANGE, 6X12	2	
016	96100-6202000	BEARING, RADIAL BALL, 6202	1	
017	90013-883-000	BOLT, FLANGE, 6X12 (CT200)	(1)	
017	90013-883-000	BOLT, FLANGE, 6X12 (CT200)	1	3684579
018	34150-ZH7-003	ALERT UNIT, OIL	(1)	4853039
018	34150-ZH7-003	ALERT UNIT, OIL	1	3684579





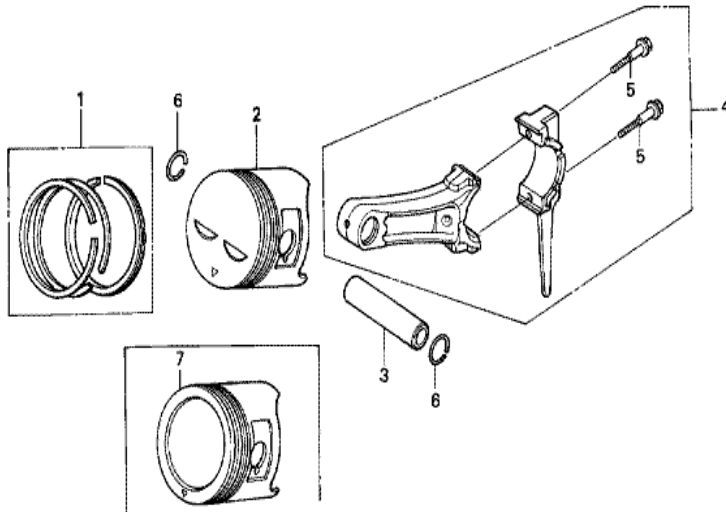
Ref	Partnumber	Description	GX240K1	Serial Numbers
002	11381-ZE2-801	PACKING, CASE COVER	1	
003	11400-ZE2-621	COVER ASSY., CRANKCASE	1	4211335
003	11400-ZE2-621	COVER ASSY., CRANKCASE	1	4211335
003	11400-ZE2-622	COVER ASSY., CRANKCASE	1	4211336
003	11400-ZE2-622	COVER ASSY., CRANKCASE	1	4211336
004	15600-ZG4-003	CAP ASSY., OIL FILLER	1	3210414
004	15600-ZG4-003	CAP ASSY., OIL FILLER	1	2901133
005	15620-ZG4-910	CAP, OIL FILLER	1	3210414
006	15600-735-003	CAP ASSY., OIL FILLER	1	3210414
006	15600-735-700	CAP ASSY., OIL FILLER	1	3210413
006	15600-735-700	CAP ASSY., OIL FILLER	1	2901132
008	15625-ZE1-003	PACKING, OIL FILLER CAP	2	
008	15625-ZE1-003	PACKING, OIL FILLER CAP	2	

<u>Ref</u>	<u>Partnumber</u>	<u>Description</u>	<u>GX240K1</u>	<u>Serial Numbers</u>
010	16510-ZE2-811	GOVERNOR ASSY.	1	
010	16510-ZE2-811	GOVERNOR ASSY.	1	
011	16511-ZE2-000	WEIGHT, GOVERNOR	2	
012	16512-ZE2-811	HOLDER, GOVERNOR WEIGHT	1	
012	16512-ZE2-811	HOLDER, GOVERNOR WEIGHT	1	
013	16513-ZE2-000	PIN, GOVERNOR WEIGHT	2	
014	16531-Z0A-000	SLIDER, GOVERNOR	1	4211336
014	16531-ZE2-000	SLIDER, GOVERNOR	1	4211335
014	16531-ZE2-000	SLIDER, GOVERNOR	1	4211335
015	90473-147-000	WASHER, 6X16	1	4211336
015	90473-147-000	WASHER, 6X16	1	4211336
016	90602-ZE1-000	CLIP, GOVERNOR HOLDER	1	
017	90701-HC4-000	DOWEL PIN, 8X12	2	
018	94101-06800	WASHER, PLAIN, 6MM	1	
019	95701-0803500	BOLT, FLANGE, 8X35	7	
020	96100-6202000	BEARING, RADIAL BALL, 6202	1	
021	96100-6204000	BEARING, RADIAL BALL, 6204	1	
022	96100-6206000	BEARING, RADIAL BALL, 6206	1	
023	96100-6302000	BEARING, RADIAL BALL, 6302	1	



ZK20-E0700B

Ref	Partnumber	Description	GX240K1	Serial Numbers
004	13320-ZE2-611	CRANKSHAFT COMP.	1	
004	13320-ZE2-611	CRANKSHAFT COMP.	1	
007	13351-ZE2-010	WEIGHT, BALANCER	1	
009	96100-6206000	BEARING, RADIAL BALL, 6206	1	
016	90741-ZE2-000	KEY, SPECIAL WOODRUFF, 25X18	1	
016	90741-ZE2-000	KEY, SPECIAL WOODRUFF, 25X18	1	

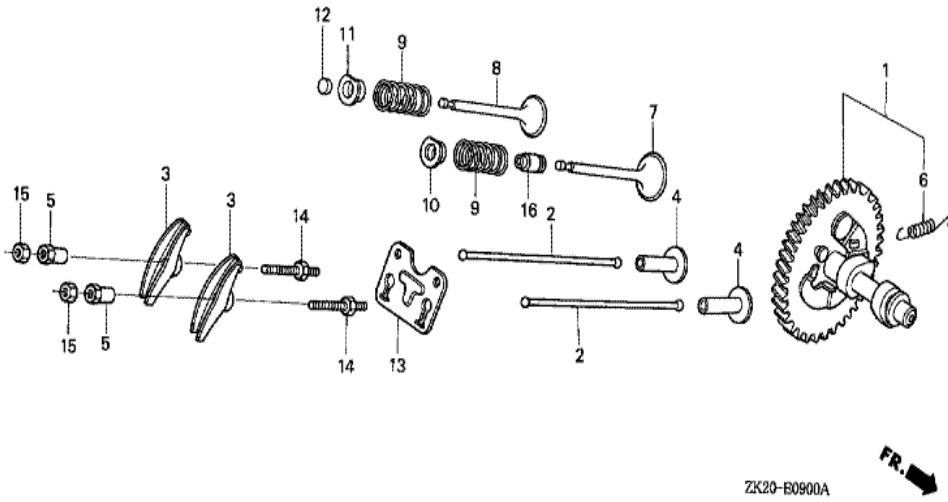


ZK20-E0800A



Ref	Partnumber	Description	GX240K1	Serial Numbers
001	13010-Z5F-004	RING SET, PISTON (STD.) (TEIKOKU)	1	4081305
001	13010-Z5F-004	RING SET, PISTON (STD.) (TEIKOKU)	1	4869815
001	13010-ZE2-013	RING SET, PISTON (STD.) (NIPPON)	1	4081304
001	13010-ZE2-013	RING SET, PISTON (STD.) (NIPPON)	1	4081304
001	13010-ZE2-014	RING SET, PISTON (STD.) (TEIKOKU)	1	4081304
001	13010-ZE2-014	RING SET, PISTON (STD.) (TEIKOKU)	1	4081304
001	13010-ZE2-921	RING SET, PISTON (STD.) (TEIKOKU)	1	4869814
001	13010-ZE2-921	RING SET, PISTON (STD.) (TEIKOKU)	1	4081305
001	13010-ZE2-922	RING SET, PISTON (STD.) (NIPPON)	1	
001	13010-ZE2-922	RING SET, PISTON (STD.) (NIPPON)	1	4081305
001	13011-ZE2-013	RING SET, PISTON (0.25) (NIPPON)	(1)	4081304
001	13011-ZE2-013	RING SET, PISTON (0.25) (NIPPON)	(1)	4081304
001	13011-ZE2-014	RING SET, PISTON (0.25) (TEIKOKU)	(1)	

<u>Ref</u>	<u>Partnumber</u>	<u>Description</u>	<u>GX240K1</u>	<u>Serial Numbers</u>
001	13011-ZE2-014	RING SET, PISTON (0.25) (TEIKOKU)	(1)	4081304
001	13011-ZE2-921	RING SET, PISTON (0.25) (TEIKOKU)	(1)	
001	13011-ZE2-921	RING SET, PISTON (0.25) (TEIKOKU)	(1)	4081305
001	13011-ZE2-922	RING SET, PISTON (0.25) (NIPPON)	(1)	4081305
001	13011-ZE2-922	RING SET, PISTON (0.25) (NIPPON)	(1)	4081305
001	13012-ZE2-013	RING SET, PISTON (0.50) (NIPPON)	(1)	
001	13012-ZE2-013	RING SET, PISTON (0.50) (NIPPON)	(1)	4081304
001	13012-ZE2-014	RING SET, PISTON (0.50) (TEIKOKU)	(1)	
001	13012-ZE2-014	RING SET, PISTON (0.50) (TEIKOKU)	(1)	4081304
001	13012-ZE2-921	RING SET, PISTON (0.50) (TEIKOKU)	(1)	4081305
001	13012-ZE2-921	RING SET, PISTON (0.50) (TEIKOKU)	(1)	4081305
001	13012-ZE2-922	RING SET, PISTON (0.50) (NIPPON)	(1)	4869814
001	13012-ZE2-922	RING SET, PISTON (0.50) (NIPPON)	(1)	4081305
001	13013-ZE2-013	RING SET, PISTON (0.75) (NIPPON)	(1)	
001	13013-ZE2-013	RING SET, PISTON (0.75) (NIPPON)	(1)	4081304
001	13013-ZE2-014	RING SET, PISTON (0.75) (TEIKOKU)	(1)	4081304
001	13013-ZE2-014	RING SET, PISTON (0.75) (TEIKOKU)	(1)	4081304
001	13013-ZE2-921	RING SET, PISTON (0.75) (TEIKOKU)	(1)	
001	13013-ZE2-921	RING SET, PISTON (0.75) (TEIKOKU)	(1)	4081305
001	13013-ZE2-922	RING SET, PISTON (0.75) (NIPPON)	(1)	
001	13013-ZE2-922	RING SET, PISTON (0.75) (NIPPON)	(1)	4081305
002	13101-ZE2-W00	PISTON (STD.)	1	4869814
002	13102-ZE2-W00	PISTON (0.25)	(1)	
002	13102-ZE2-W00	PISTON (0.25)	(1)	
002	13103-ZE2-W00	PISTON (0.50)	(1)	4869814
002	13103-ZE2-W00	PISTON (0.50)	(1)	
002	13104-ZE2-W00	PISTON (0.75)	(1)	
002	13104-ZE2-W00	PISTON (0.75)	(1)	
003	13111-ZE2-000	PIN, PISTON	1	
004	13200-ZE2-010	ROD ASSY., CONNECTING (STD.)	1	
004	13200-ZE2-305	ROD ASSY., CONNECTING (0.25 UNDER SIZE)	(1)	
004	13200-ZE2-305	ROD ASSY., CONNECTING (0.25 UNDER SIZE)	(1)	
005	90001-ZE8-000	BOLT, CONNECTING ROD	2	
<u>Ref</u>	<u>Partnumber</u>	<u>Description</u>	<u>GX240K1</u>	<u>Serial Numbers</u>
006	90551-ZE1-000	CLIP, PISTON PIN, 18MM	2	



ZK20-B0900A



<u>Ref</u>	<u>Partnumber</u>	<u>Description</u>	<u>GX240K1</u>	<u>Serial Numbers</u>
001	14100-ZE2-W00	CAMSHAFT ASSY.	1	3620688
001	14100-ZE2-W00	CAMSHAFT ASSY.	1	3620688
001	14100-ZE2-W01	CAMSHAFT ASSY.	1	3620689
001	14100-ZE2-W01	CAMSHAFT ASSY.	1	3620689
002	14410-ZE2-013	ROD, PUSH	2	
003	14431-ZE2-010	ARM, VALVE ROCKER	2	
003	14431-ZE2-010	ARM, VALVE ROCKER	2	
004	14441-ZE2-000	LIFTER, VALVE	2	
005	14451-ZE1-013	PIVOT, ROCKER ARM	2	
006	14568-ZE1-000	SPRING, WEIGHT RETURN	1	
007	14711-ZE2-000	VALVE, IN.	1	
008	14721-ZE2-000	VALVE, EX.	1	
009	14751-ZE2-003	SPRING, VALVE	2	
<u>Ref</u>	<u>Partnumber</u>	<u>Description</u>	<u>GX240K1</u>	<u>Serial Numbers</u>
010	14771-ZE2-000	RETAINER, IN. VALVE SPRING	1	
011	14773-ZE2-000	RETAINER, EX. VALVE SPRING	1	
011	14773-ZE2-000	RETAINER, EX. VALVE SPRING	1	
012	14781-ZE2-000	ROTATOR, VALVE	1	
013	14791-ZE2-010	GUIDE, PUSH ROD	1	
014	90012-ZE0-010	BOLT, PIVOT, 8MM	2	
015	90206-ZE1-000	NUT, PIVOT ADJUSTING	2	
016	12209-ZE8-003	SEAL, VALVE STEM	1	4081305
016	12209-ZE8-003	SEAL, VALVE STEM	1	4081305



HENG-X0003

<u>Ref</u>	<u>Partnumber</u>	<u>Description</u>	<u>GX240K1</u>	<u>Serial Numbers</u>
001	061A1-ZE2-040	GASKET KIT	1	4045100
001	061A1-ZE2-040	GASKET KIT	1	4045100