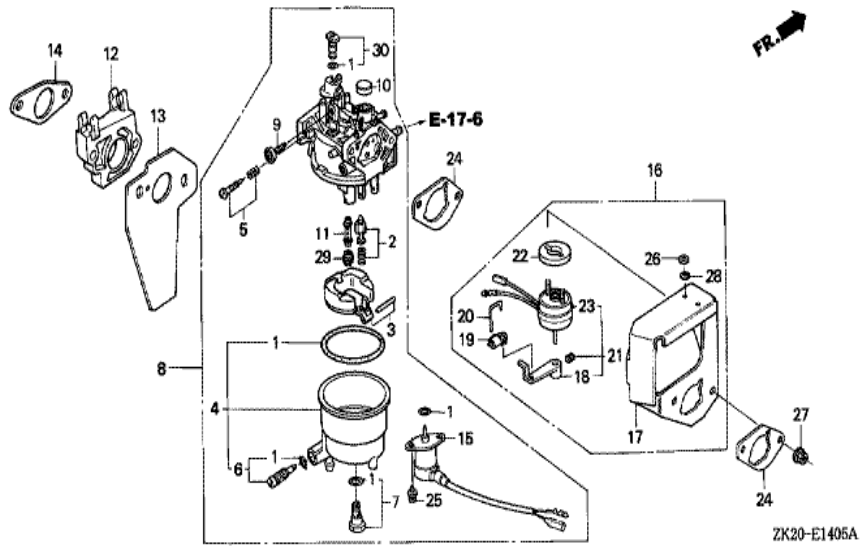
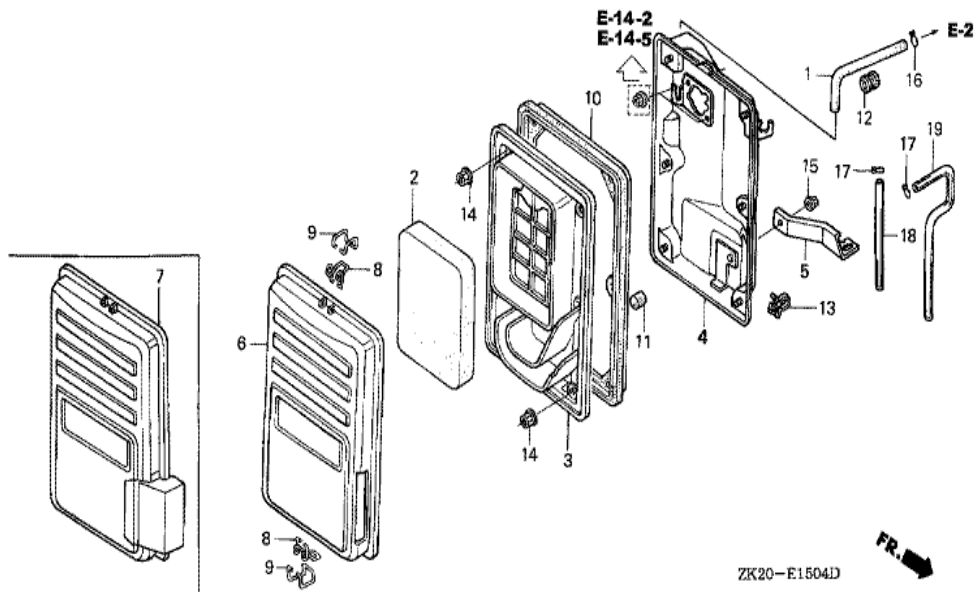


Ref	Partnumber	Description	GX240K1	Serial Numbers
001	11315-ZB7-000	SCROLL, GENERATOR FAN	1	
002	16584-883-300	SPRING, CONTROL ADJUSTING	1	
003	19602-ZE2-E10	SHROUD ASSY., UPPER	1	
004	19610-ZB7-000	COVER COMP., FAN	1	
005	19620-ZE2-000ZA	PROTECTOR COMP., FAN COVER *R8 *	1	
006	19640-ZE2-E10	SHROUD COMP., LOWER	1	
007	81329-567-020	GROMMET, DRAIN HOLE	1	
008	90013-883-000	BOLT, FLANGE, 6X12 (CT200)	7	
008	90013-883-000	BOLT, FLANGE, 6X12 (CT200)	7	
009	90654-SA4-003	CLIP, WIRE HARNESS, 6MM (WHITE)	1	
010	93500-050320A	SCREW, PAN, 5X32	1	
011	95701-0600800	BOLT, FLANGE, 6X8	3	

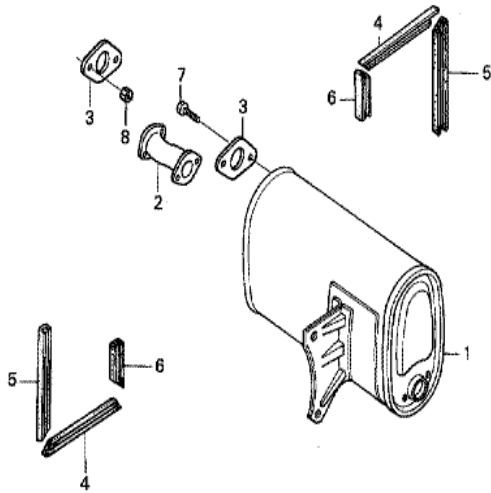


Ref	Partnumber	Description	GX240K1	Serial Numbers
001	16010-ZE3-701	GASKET SET	1	
002	16011-ZA0-931	VALVE SET, FLOAT	1	
003	16013-ZA0-931	FLOAT SET	1	
004	16015-ZA0-931	CHAMBER SET, FLOAT	1	
005	16016-ZE0-005	SCREW SET, PILOT	1	
006	16024-124-761	SCREW SET, DRAIN	1	
007	16028-ZA0-931	SCREW SET	1	
008	16100-ZE2-E10	CARBURETOR ASSY. (BE22C A)	1	3456445
008	16100-ZE2-E11	CARBURETOR ASSY. (BE22C B)	1	3456446
008	16100-ZE2-E11	CARBURETOR ASSY. (BE22C B)	1	3456446
009	16124-ZE0-005	SCREW, THROTTLE STOP	1	
010	16148-141-881	CAP, CHOKE DUST	1	
011	16166-ZE2-015	NOZZLE, MAIN	1	

<u>Ref</u>	<u>Partnumber</u>	<u>Description</u>	<u>GX240K1</u>	<u>Serial Numbers</u>
012	16211-ZB7-000	INSULATOR, CARBURETOR	1	
013	16221-ZB7-800	PACKING, CARBURETOR	1	
014	16223-ZA0-800	PACKING, INSULATOR	1	
015	16230-ZE3-701	VALVE ASSY., SOLENOID	1	
016	16260-ZB7-000	STAY ASSY., SOLENOID	1	
017	16261-ZB7-000	STAY COMP., CHOKE SOLENOID	1	
018	16262-ZB7-000	LEVER, CHOKE SOLENOID	1	
019	16263-ZA0-000	JOINT, ROD	1	
020	16264-ZB7-000	ROD, CHOKE SOLENOID	1	
021	16265-ZB7-000	SOLENOID ASSY., CHOKE	1	
022	16266-ZB7-000	SPACER, CHOKE SOLENOID	1	
023	16267-ZB7-003	SOLENOID, ROTARY CHOKE	1	
024	16269-ZA0-800	PACKING, AIR CLEANER	2	
025	93892-0501218	SCREW-WASHER, 5X12	2	
026	94001-030000S	NUT, HEX., 3MM	2	
027	94050-06000	NUT, FLANGE, 6MM	2	
028	94111-03800	WASHER, SPRING, 3MM	2	
029	99101-ZF50780	JET, MAIN, #78	(1)	BE22C A
029	99101-ZF50800	JET, MAIN, #80	(1)	BE22C A
029	99101-ZF50800	JET, MAIN, #80	(1)	BE22C A
029	99101-ZF50820	JET, MAIN, #82	1	BE22C A
029	99101-ZF50820	JET, MAIN, #82	1	BE22C A
029	99101-ZH80780	JET, MAIN, #78	(1)	BE22C B
029	99101-ZH80780	JET, MAIN, #78	(1)	BE22C B
029	99101-ZH80800	JET, MAIN, #80	(1)	BE22C B
029	99101-ZH80800	JET, MAIN, #80	(1)	BE22C B
029	99101-ZH80820	JET, MAIN, #82	1	BE22C B
029	99101-ZH80820	JET, MAIN, #82	1	BE22C B
030	99204-ZE00400	JET SET, PILOT, #40	1	



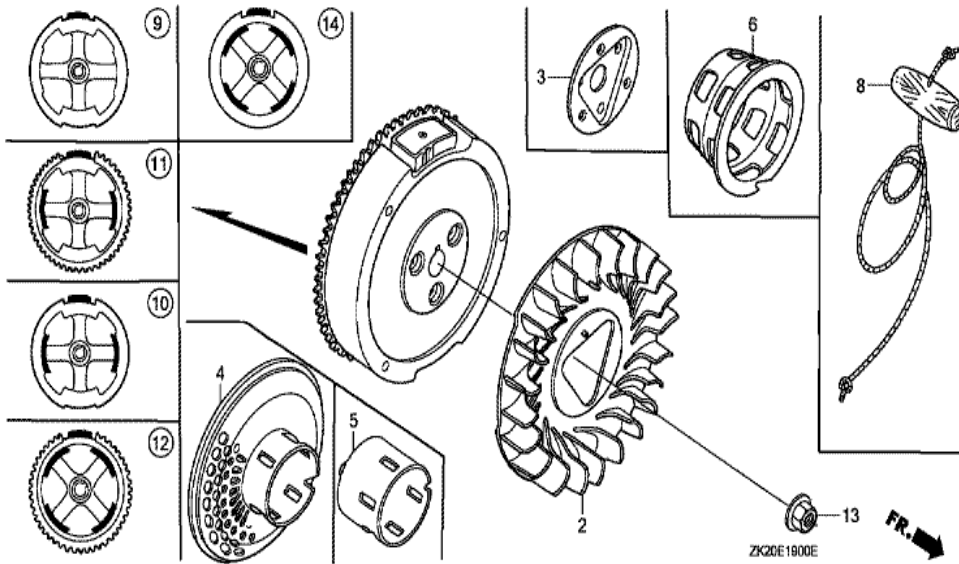
<u>Ref</u>	<u>Partnumber</u>	<u>Description</u>	<u>GX240K1</u>	<u>Serial Numbers</u>
001	15721-ZB7-000	TUBE, BREATHER	1	
001	15721-ZB7-000	TUBE, BREATHER	1	
002	17211-899-000	ELEMENT, AIR CLEANER	1	
003	17212-ZB4-003	SEPARATOR, AIR CLEANER	1	
004	17220-ZB7-000	CASE COMP., AIR CLEANER	1	
004	17220-ZB7-000	CASE COMP., AIR CLEANER	1	
005	17222-ZB7-000	STAY, AIR CLEANER	1	
005	17222-ZB7-000	STAY, AIR CLEANER	1	
007	17231-ZB7-000	COVER COMP., AIR CLEANER	1	
008	17235-899-000	CLIP A, AIR CLEANER WIRE	2	
009	17236-899-000	CLIP B, AIR CLEANER WIRE	2	
010	17252-899-000	SEAL, AIR CLEANER	1	
011	17367-413-690	FILTER, DRAIN TUBE	1	
<u>Ref</u>	<u>Partnumber</u>	<u>Description</u>	<u>GX240K1</u>	<u>Serial Numbers</u>
012	88911-MJ3-000	GROMMET, FENDER	1	
013	90624-SB0-003	CLIP, WIRE HARNESS	1	
014	94050-05000	NUT, FLANGE, 5MM	6	
015	94050-06000	NUT, FLANGE, 6MM	1	
016	15772-292-010	CLIP, BREATHER TUBE	1	
017	95002-45000	CLIP, TUBE (C8)	2	
018	95003-0902331	TUBE, VINYL, 4.5X8X230 (95003-09001-60M)	1	
019	95003-0903831	TUBE, VINYL, 4.5X8X380 (95003-09001-60M)	1	



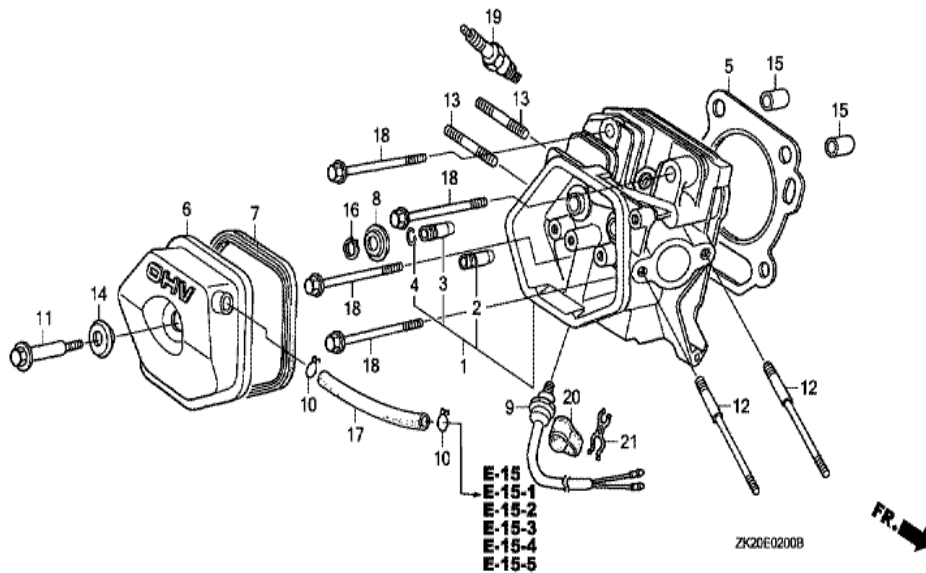
FR.

ZK20-E1603A

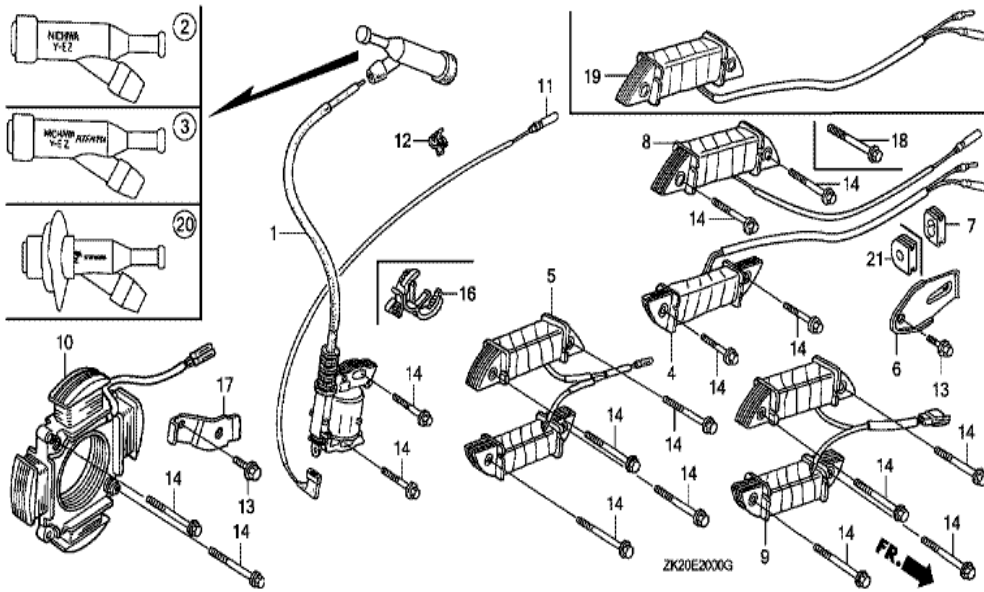
Ref	Partnumber	Description	GX240K1	Serial Numbers
001	18310-ZB7-003	MUFFLER COMP.	1	
003	18333-ZB7-800	GASKET, EX. PIPE	2	
004	18412-ZB7-000	SEAL, MUFFLER DUCT (A)	2	
005	18413-ZB7-000	SEAL, MUFFLER DUCT (B)	2	
006	18414-ZB7-000	SEAL, MUFFLER DUCT (C)	2	
007	92101-080280A	BOLT, HEX., 8X28	2	
008	94001-080000S	NUT, HEX., 8MM	2	



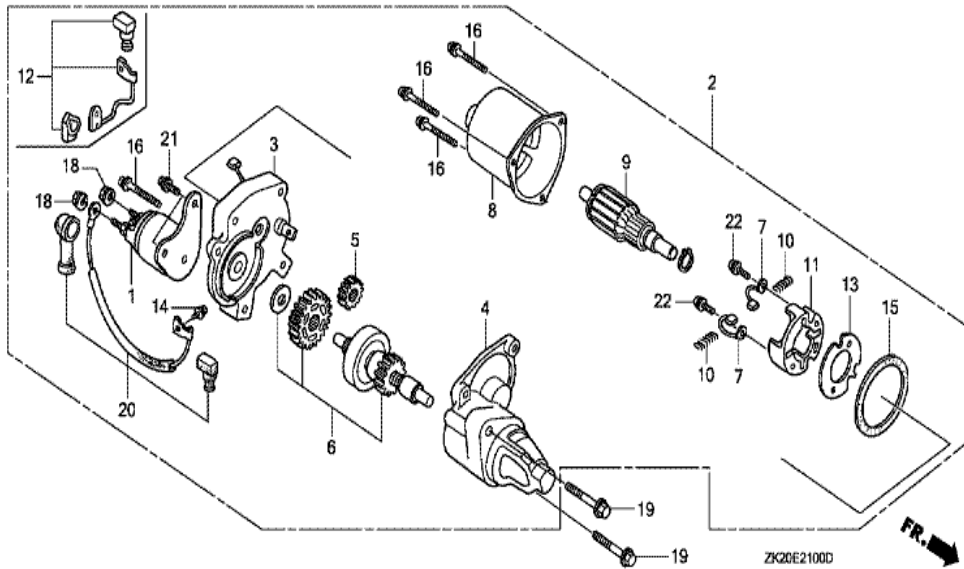
Ref	Partnumber	Description	GX240K1	Serial Numbers
002	19511-ZE2-000	FAN, COOLING	1	
003	19512-ZE2-000	PLATE, COOLING FAN SETTING	1	
011	31100-ZE2-822	FLYWHEEL COMP. (STARTER MOTOR)	1	
013	90201-ZE3-790	NUT, SPECIAL, 16MM	1	3467138
013	90201-ZE3-790	NUT, SPECIAL, 16MM	1	4835166
013	90201-ZE3-V00	NUT, SPECIAL, 16MM	1	
013	90201-ZE3-V00	NUT, SPECIAL, 16MM	1	3467139



<u>Ref</u>	<u>Partnumber</u>	<u>Description</u>	<u>GX240K1</u>	<u>Serial Numbers</u>
001	12200-ZH9-000	HEAD COMP., CYLINDER	1	
002	12204-ZE2-306	GUIDE, IN. VALVE (O.S.)	1	
003	12205-ZE2-305	GUIDE, EX. VALVE (OS)	1	
004	12216-ZE2-300	CLIP, VALVE GUIDE	1	
005	12251-ZE2-800	GASKET, CYLINDER HEAD	1	
006	12310-ZE3-791	COVER COMP., HEAD (BREATHER TUBE JOINT)	(1)	3139635
006	12310-ZE3-791	COVER COMP., HEAD (BREATHER TUBE JOINT)	1	
007	12391-ZE2-020	PACKING, HEAD COVER	1	
008	14775-ZE2-010	SEAT, VALVE SPRING	1	
009	16500-ZE2-702	SWITCH, THERMO	1	
011	90014-ZE2-000	BOLT, HEAD COVER	1	
012	90042-ZB7-000	BOLT, STUD, 8X111	2	
013	90012-KM9-000	BOLT, STUD, 8X34	2	
<u>Ref</u>	<u>Partnumber</u>	<u>Description</u>	<u>GX240K1</u>	<u>Serial Numbers</u>
013	90012-KM9-000	BOLT, STUD, 8X34	2	
014	90441-ZE2-010	WASHER COMP., HEAD COVER	1	
015	94301-12200	DOWEL PIN, 12X20	2	
018	95725-1008000	BOLT, FLANGE, 10X80	4	4847591
018	95725-1008000	BOLT, FLANGE, 10X80	4	
019	98079-55846	PLUG, SPARK (BPR5ES) (NGK)	1	
019	98079-55846	PLUG, SPARK (BPR5ES) (NGK)	1	
019	98079-55855	PLUG, SPARK (W16EPR-U) (DENSO)	1	
019	98079-55855	PLUG, SPARK (W16EPR-U) (DENSO)	1	



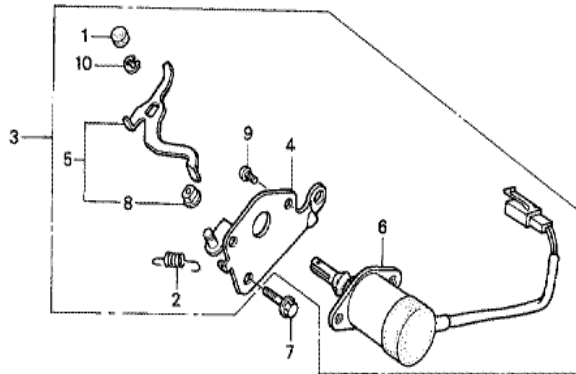
Ref	Partnumber	Description	GX240K1	Serial Numbers
001	30500-ZF6-W02	COIL ASSY., IGNITION	1	
001	30500-ZF6-W02	COIL ASSY., IGNITION	1	
005	31630-ZE2-E11	COIL ASSY., CHARGE	1	
005	31630-ZE2-E11	COIL ASSY., CHARGE	1	
006	31511-ZE2-000	CLAMPER, CORD	1	
007	31512-ZE2-000	GROMMET, CORD	1	
011	36101-ZE2-701	CORD, STOP SWITCH (430MM)	1	
011	36101-ZE2-701	CORD, STOP SWITCH (430MM)	1	
013	90013-883-000	BOLT, FLANGE, 6X12 (CT200)	(1)	
014	90015-883-000	BOLT, FLANGE, 6X28 (CT200)	N	
020	30700-ZB7-013	CAP ASSY., NOISE SUPPRESSOR (NICHIIWA Y-E	1	



<u>Ref</u>	<u>Partnumber</u>	<u>Description</u>	<u>GX240K1</u>	<u>Serial Numbers</u>
001	31204-ZA0-003	CONTACTOR ASSY.	1	
002	31210-ZB7-003	MOTOR UNIT, STARTER	1	
003	31211-ZE2-003	BRACKET, CENTER	1	
004	31212-ZE2-003	BRACKET, FR.	1	
005	31213-ZE2-003	GEAR, DRIVE PINION	(1)	
006	31214-ZE2-003	CLUTCH COMP., OVERRUNNING	1	
007	31215-ZE2-003	BRUSH	2	
008	31216-ZE2-003	YOKE COMP.	1	
009	31217-ZE2-003	ARMATURE COMP.	1	
010	31219-ZE2-003	SPRING, BRUSH RETURN	(4)	
011	31231-ZE2-003	HOLDER, BRUSH	1	
012	31232-ZB7-003	WIRE, WATER COVER	1	
013	31233-ZE2-003	INSULATOR	1	
<u>Ref</u>	<u>Partnumber</u>	<u>Description</u>	<u>GX240K1</u>	<u>Serial Numbers</u>
014	90110-ZE2-003	SCREW-WASHER, 4X6	1	
015	91601-ZE2-003	PACKING	1	
016	93892-0503218	SCREW-WASHER, 5X32	4	
018	94070-06080	NUT-WASHER, 6MM	2	
019	95701-0804000	BOLT, FLANGE, 8X40	2	
021	90007-ZE2-003	BOLT-WASHER, 5X14	2	
022	31219-ZE3-003	SCREW-WASHER, 4X14	2	

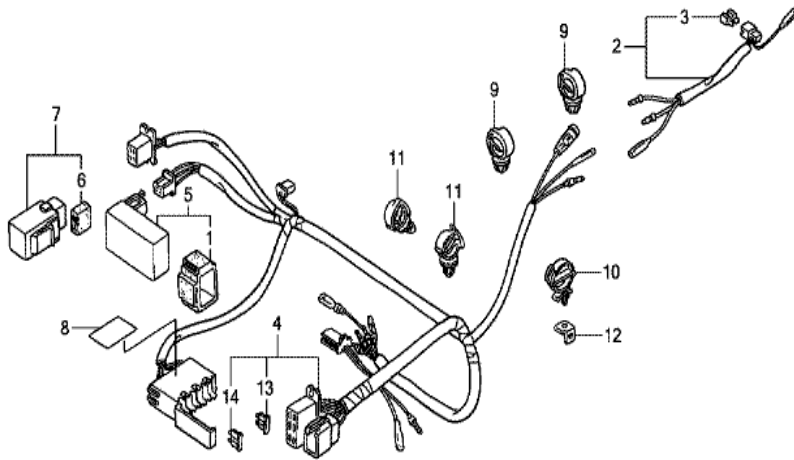


Ref	Partnumber	Description	GX240K1	Serial Numbers
001	16550-ZE2-700	ARM COMP., GOVERNOR	1	3337057
003	16555-ZB7-000	ROD, GOVERNOR	1	
004	16561-ZE2-000	SPRING, GOVERNOR (L=145.0MM) (WIRE DIAME	1	3156815
005	16562-ZE2-000	SPRING, THROTTLE RETURN	1	3337056
024	90015-ZE5-010	BOLT, GOVERNOR ARM	1	
031	94050-06000	NUT, FLANGE, 6MM	1	



ZK20-E2321A

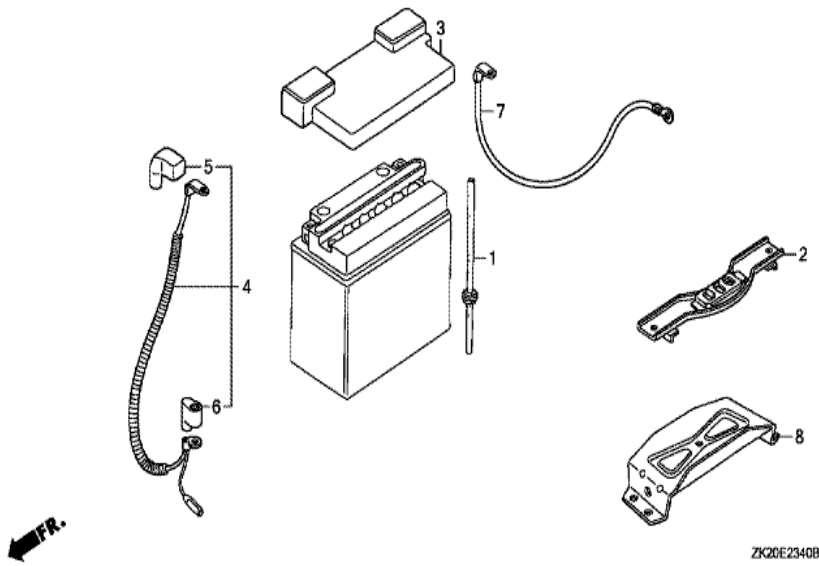
Ref	Partnumber	Description	GX240K1	Serial Numbers
001	16252-ZA1-000	CAP, CHOKE LEVER	1	
002	16268-893-000	SPRING, CHOKE RETURN	1	3337057
003	16270-ZB4-000	AUTO-THROTTLE ASSY.	1	3278944
004	16271-ZB4-000	STAY, SOLENOID THROTTLE	1	3337057
005	16273-ZB4-000	LEVER COMP., SOLENOID THROTTLE	1	3337057
006	36160-ZB4-003	SOLENOID ASSY.	1	3337057
007	90013-883-000	BOLT, FLANGE, 6X12 (CT200)	1	
008	91502-ZB4-701	BUSH, AUTO-THROTTLE LEVER	1	3337057
009	93500-050080A	SCREW, PAN, 5X8	2	3337057
010	94540-04018	E-RING, 4MM	1	3278944



ZK20E2330B

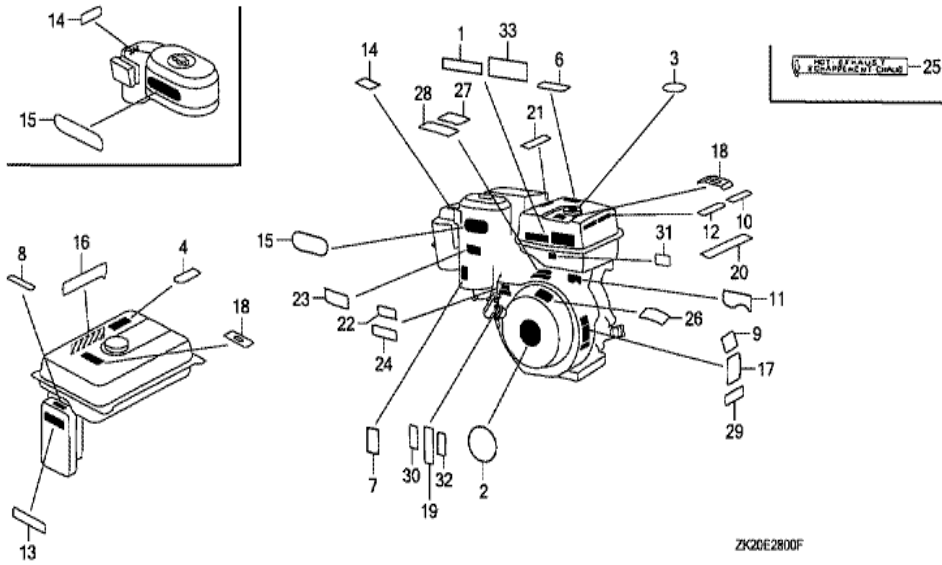


<u>Ref</u>	<u>Partnumber</u>	<u>Description</u>	<u>GX240K1</u>	<u>Serial Numbers</u>
001	30401-HA0-000	CUSHION, C.D.I. UNIT	1	
002	31700-ZB7-003	DIODE ASSY., SOLENOID	1	
003	31700-166-008	RECTIFIER COMP., SILICON	1	
004	32100-ZB7-A00	HARNESS ASSY., SUB WIRE	1	3566259
004	32100-ZB7-A01	HARNESS ASSY., SUB WIRE	1	3566260
004	32100-ZB7-A01	HARNESS ASSY., SUB WIRE	1	3566260
005	36150-ZB7-A01	CONTROL UNIT, SOLENOID	1	
006	38306-KK4-000	SUSPENSION, WINKER RELAY (MITSUBA)	1	
007	39500-ZB7-003	TIMER UNIT	1	
008	87117-ZB7-A30	LABEL, FUSE	1	
009	90683-SA0-003	CLIP, WIRE HARNESS, 25MM	2	
010	90690-SA0-003	STRAP, WIRE HARNESS, 25MM (BLACK)	1	
011	90691-ZB7-003	CLIP, HARNESS	2	
<u>Ref</u>	<u>Partnumber</u>	<u>Description</u>	<u>GX240K1</u>	<u>Serial Numbers</u>
012	90700-ZB7-000	BASE, CORD CLIP	1	
013	98200-30500	FUSE, BLADE (5A)	2	
014	98200-31000	FUSE, BLADE (10A)	1	

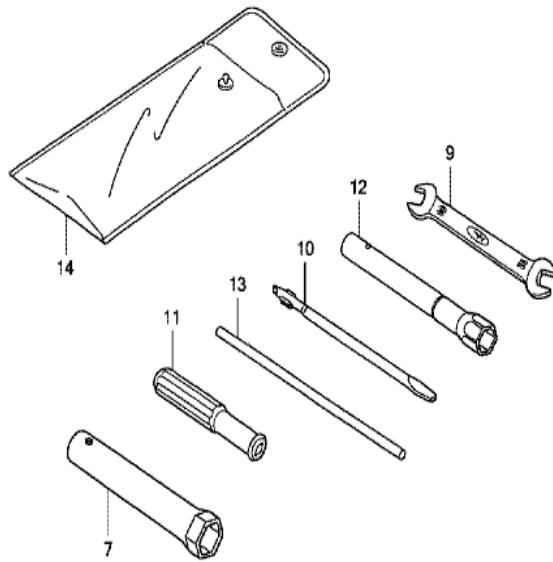


ZK20E2340B

Ref	Partnumber	Description	GX240K1	Serial Numbers
001	31507-ZB7-000	TUBE, BATTERY BREATHER	1	
002	31512-ZB7-000	PLATE, BATTERY SETTING	1	
003	31513-ZB7-000	COVER, BATTERY	1	
004	32410-ZB7-A00	CABLE ASSY., STARTING	1	
005	32412-471-000	COVER, BATTERY TERMINAL	1	
006	32416-460-000	COVER B, MAGNETIC SWITCH	1	
007	32430-ZB7-000	CABLE ASSY., EARTH	1	
008	50319-ZB7-000	BASE, BATTERY	1	

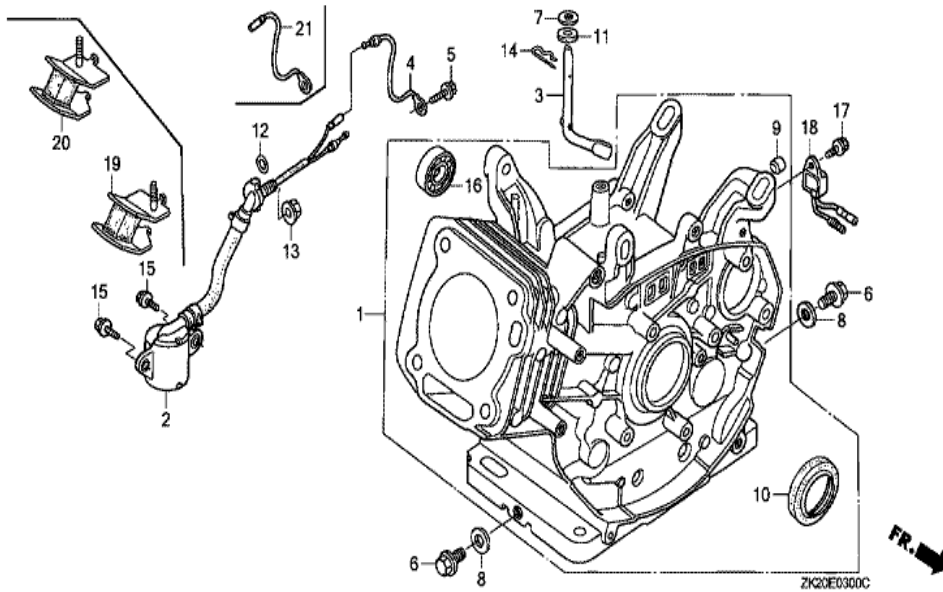


Ref	Partnumber	Description	GX240K1	Serial Numbers
004	87522-883-660	MARK, CAUTION (ENGLISH/FRENCH/SPANISH)	1	
013	87533-ZB6-750	MARK, AIR CLEANER	1	
016	87539-ZB2-630	MARK, EX. CAUTION	1	
016	87539-ZB2-630	MARK, EX. CAUTION	1	
017	87594-ZB4-A00	MARK, OIL CAUTION	1	
020	87565-ZB4-A00	PLATE, FUEL INDICATION	1	
020	87565-ZB4-A00	PLATE, FUEL INDICATION	1	

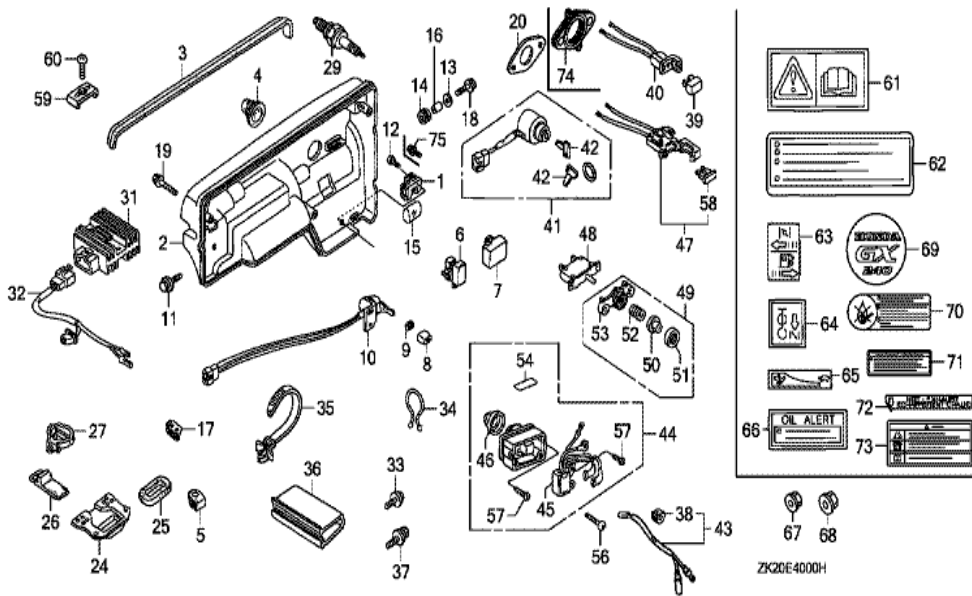


ZK20E2801A

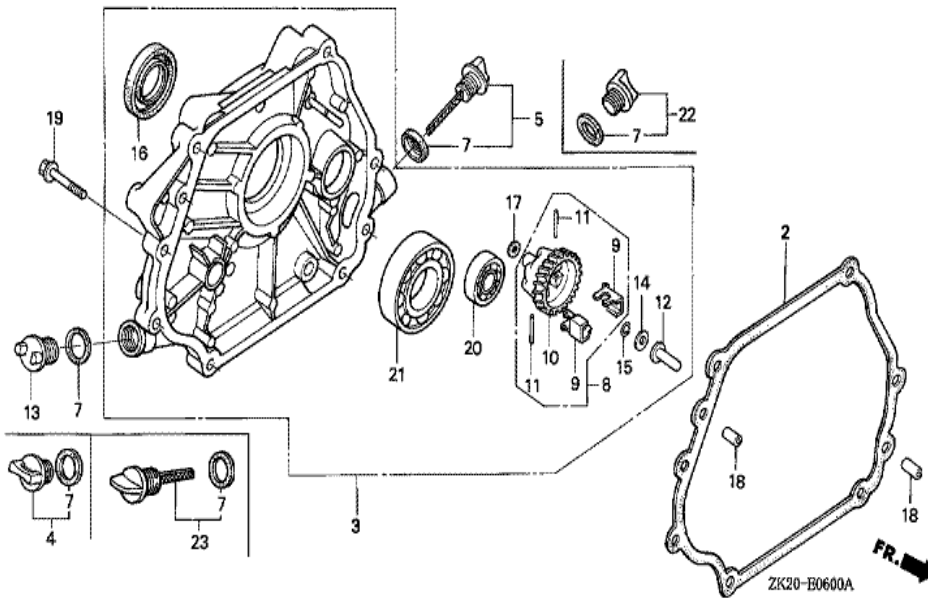
Ref	Partnumber	Description	GX240K1	Serial Numbers
009	99001-10120	SPANNER, 10X12	1	
010	99003-30000	DRIVER 3, MINUS SCREW (NO.2)	1	
011	99003-50000	GRIP, SCREW DRIVER	1	
012	99004-21003	WRENCH, BOX (P21)	1	
013	99005-01000	BAR A, HANDLE	1	
014	99008-02000	BAG, TOOL, 200MM	1	



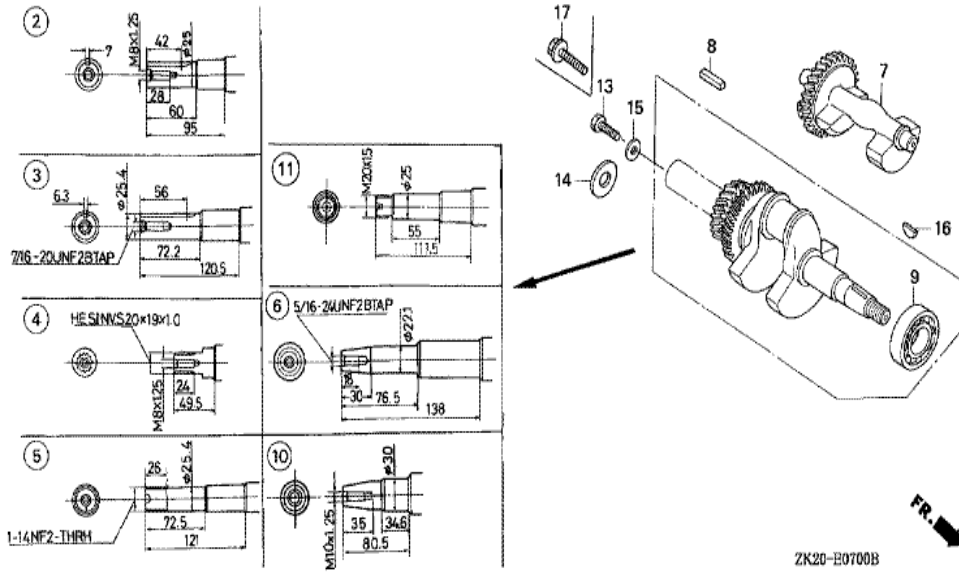
Ref	Partnumber	Description	GX240K1	Serial Numbers
001	12000-ZE2-824	BARREL ASSY., CYLINDER (SELFSTARTER+ALER	1	4081304
001	12000-ZE2-824	BARREL ASSY., CYLINDER (SELFSTARTER+ALER	1	
002	15510-ZE2-043	SWITCH ASSY., OIL LEVEL	1	
003	16541-ZE2-010	SHAFT, GOVERNOR ARM	1	
004	32197-ZE2-003	SUB HARNESS	1	3566259
004	32197-ZE2-003	SUB HARNESS	1	3566259
005	90013-883-000	BOLT, FLANGE, 6X12 (CT200)	1	3116815 3566259
005	90013-883-000	BOLT, FLANGE, 6X12 (CT200)	1	3566259
006	90131-883-000	BOLT, DRAIN PLUG, 12X15	2	
007	90446-KE1-000	WASHER, 8.2X17X0.8	1	
008	94109-12000	WASHER, DRAIN PLUG, 12MM	2	
010	91201-890-003	OIL SEAL, 30X46X8	1	
012	91353-671-004	O-RING, 14MM (NOK)	1	
<u>Ref</u>	<u>Partnumber</u>	<u>Description</u>	<u>GX240K1</u>	<u>Serial Numbers</u>
013	94050-10000	NUT, FLANGE, 10MM	1	
014	94251-08000	PIN, LOCK, 8MM	1	3332421
014	94251-10000	PIN, LOCK, 10MM	1	3332422
014	94251-10000	PIN, LOCK, 10MM	1	3332422
015	95701-0601200	BOLT, FLANGE, 6X12	2	
017	90013-883-000	BOLT, FLANGE, 6X12 (CT200)	(1)	
017	90013-883-000	BOLT, FLANGE, 6X12 (CT200)	1	3684579
018	34150-ZH7-003	ALERT UNIT, OIL	(1)	4853039
018	34150-ZH7-003	ALERT UNIT, OIL	1	3684579



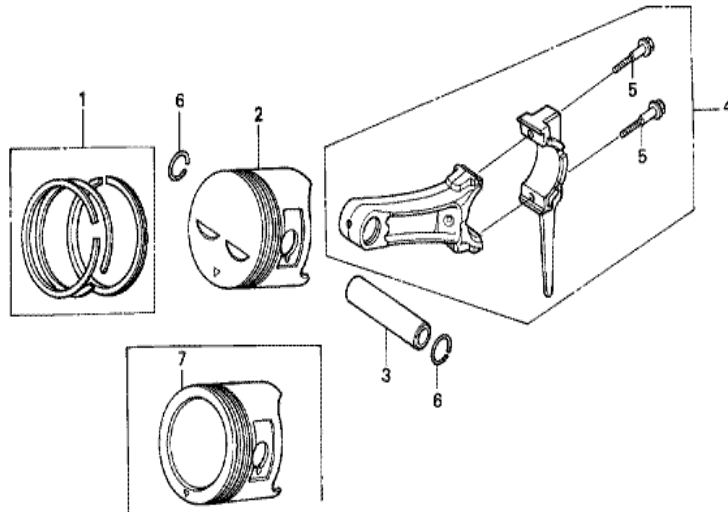
Ref	Partnumber	Description	GX240K1	Serial Numbers
007	31710-ZB7-A01	DIODE ASSY.	1	
020	18333-ZE3-800	GASKET, EX. PIPE	1	
024	68310-ZB7-000	GUIDE, UNDER AIR	1	
025	68312-ZB7-000	SEAL, UNDER AIR GUIDE	1	
026	89011-192-700	BAND, TOOL SETTING	1	
027	90690-SAO-003	STRAP, WIRE HARNESS, 25MM (BLACK)	2	
041	35100-ZA0-013	SWITCH ASSY., COMBINATION	1	
048	38240-VA3-900	PROTECTOR, CIRCUIT (1.0A)	1	
049	38250-898-000	LENS ASSY., PROTECTOR	1	
050	38251-898-000	LENS	1	
051	38252-898-000	CAP, LENS	1	
052	38253-898-000	SPRING, COIL	1	
053	38254-898-000	HOLDER, LENS	1	



<u>Ref</u>	<u>Partnumber</u>	<u>Description</u>	<u>GX240K1</u>	<u>Serial Numbers</u>
002	11381-ZE2-801	PACKING, CASE COVER	1	3634565
003	11300-ZE2-630	COVER ASSY., CRANKCASE	1	4211335
003	11300-ZE2-630	COVER ASSY., CRANKCASE	1	
004	15600-ZG4-003	CAP ASSY., OIL FILLER	1	3634565
005	15600-735-003	CAP ASSY., OIL FILLER	1	3634565
007	15625-ZE1-003	PACKING, OIL FILLER CAP	1	
007	15625-ZE1-003	PACKING, OIL FILLER CAP	2	
008	16510-ZE2-000	GOVERNOR ASSY.	1	3634565
009	16511-ZE2-000	WEIGHT, GOVERNOR	2	3634565
010	16512-ZE2-000	HOLDER, GOVERNOR WEIGHT	1	3634565
011	16513-ZE2-000	PIN, GOVERNOR WEIGHT	2	3634565
012	16531-Z0A-000	SLIDER, GOVERNOR	1	
012	16531-Z0A-000	SLIDER, GOVERNOR	1	
<u>Ref</u>	<u>Partnumber</u>	<u>Description</u>	<u>GX240K1</u>	<u>Serial Numbers</u>
015	90602-ZE1-000	CLIP, GOVERNOR HOLDER	1	3634565
015	90602-ZE1-000	CLIP, GOVERNOR HOLDER	1	
016	91201-889-003	OIL SEAL, 30X45X8	1	
017	94101-06800	WASHER, PLAIN, 6MM	1	3634565
018	90701-HC4-000	DOWEL PIN, 8X12	2	3634565
019	95701-0803500	BOLT, FLANGE, 8X35	7	3634565
021	96100-6206000	BEARING, RADIAL BALL, 6206	1	3634565



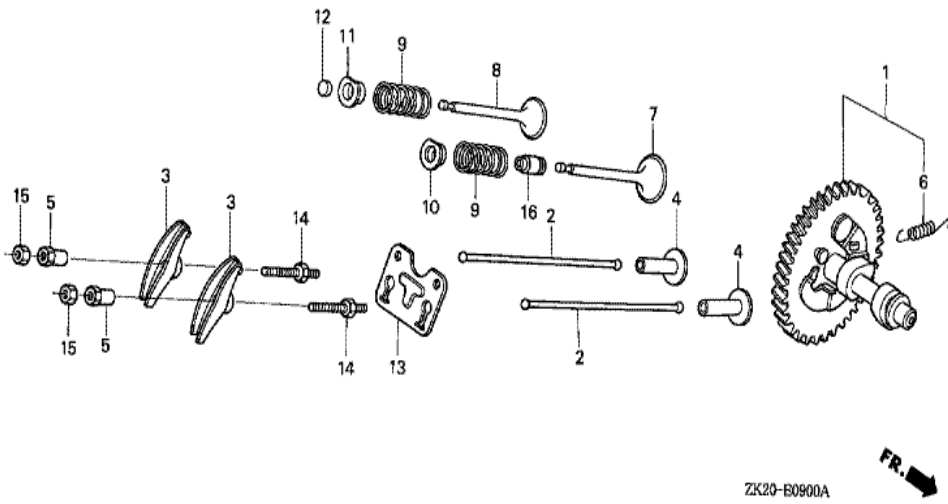
Ref	Partnumber	Description	GX240K1	Serial Numbers
009	96100-6206000	BEARING, RADIAL BALL, 6206	1	
010	13310-ZE2-701	CRANKSHAFT COMP.	1	4766115
016	90741-ZE2-000	KEY, SPECIAL WOODRUFF, 25X18	1	
016	90741-ZE2-000	KEY, SPECIAL WOODRUFF, 25X18	1	



ZK20-E0800A



<u>Ref</u>	<u>Partnumber</u>	<u>Description</u>	<u>GX240K1</u>	<u>Serial Numbers</u>
001	13010-ZE2-013	RING SET, PISTON (STD.) (NIPPON)	1	4081304
001	13010-ZE2-013	RING SET, PISTON (STD.) (NIPPON)	1	
001	13010-ZE2-014	RING SET, PISTON (STD.) (TEIKOKU)	1	4081304
001	13010-ZE2-014	RING SET, PISTON (STD.) (TEIKOKU)	1	
001	13011-ZE2-013	RING SET, PISTON (0.25) (NIPPON)	(1)	4081304
001	13011-ZE2-013	RING SET, PISTON (0.25) (NIPPON)	(1)	
001	13011-ZE2-014	RING SET, PISTON (0.25) (TEIKOKU)	(1)	
001	13011-ZE2-014	RING SET, PISTON (0.25) (TEIKOKU)	(1)	
001	13012-ZE2-013	RING SET, PISTON (0.50) (NIPPON)	(1)	
001	13012-ZE2-013	RING SET, PISTON (0.50) (NIPPON)	(1)	
001	13012-ZE2-014	RING SET, PISTON (0.50) (TEIKOKU)	(1)	
001	13012-ZE2-014	RING SET, PISTON (0.50) (TEIKOKU)	(1)	
001	13012-ZE2-014	RING SET, PISTON (0.50) (TEIKOKU)	(1)	
001	13013-ZE2-013	RING SET, PISTON (0.75) (NIPPON)	(1)	
<u>Ref</u>	<u>Partnumber</u>	<u>Description</u>	<u>GX240K1</u>	<u>Serial Numbers</u>
001	13013-ZE2-013	RING SET, PISTON (0.75) (NIPPON)	(1)	
001	13013-ZE2-014	RING SET, PISTON (0.75) (TEIKOKU)	(1)	4081304
001	13013-ZE2-014	RING SET, PISTON (0.75) (TEIKOKU)	(1)	
002	13101-ZE2-W00	PISTON (STD.)	1	4869814
002	13102-ZE2-W00	PISTON (0.25)	(1)	
002	13102-ZE2-W00	PISTON (0.25)	(1)	
002	13103-ZE2-W00	PISTON (0.50)	(1)	4869814
002	13103-ZE2-W00	PISTON (0.50)	(1)	
002	13104-ZE2-W00	PISTON (0.75)	(1)	
002	13104-ZE2-W00	PISTON (0.75)	(1)	
003	13111-ZE2-000	PIN, PISTON	1	
004	13200-ZE2-010	ROD ASSY., CONNECTING (STD.)	1	
004	13200-ZE2-305	ROD ASSY., CONNECTING (0.25 UNDER SIZE)	(1)	
004	13200-ZE2-305	ROD ASSY., CONNECTING (0.25 UNDER SIZE)	(1)	
005	90001-ZE8-000	BOLT, CONNECTING ROD	2	
006	90551-ZE1-000	CLIP, PISTON PIN, 18MM	2	



ZK20-E0900A



<u>Ref</u>	<u>Partnumber</u>	<u>Description</u>	<u>GX240K1</u>	<u>Serial Numbers</u>
001	14100-ZH9-000	CAMSHAFT ASSY.	1	
001	14100-ZH9-000	CAMSHAFT ASSY.	1	3620888
001	14100-ZH9-010	CAMSHAFT ASSY.	1	3620889
001	14100-ZH9-010	CAMSHAFT ASSY.	1	3620889
002	14410-ZE2-013	ROD, PUSH	2	
003	14431-ZE2-010	ARM, VALVE ROCKER	2	
003	14431-ZE2-010	ARM, VALVE ROCKER	2	
004	14441-ZE2-000	LIFTER, VALVE	2	
005	14451-ZE1-013	PIVOT, ROCKER ARM	2	
006	14568-ZE1-000	SPRING, WEIGHT RETURN	1	
007	14711-ZE2-000	VALVE, IN.	1	
008	14721-ZE2-000	VALVE, EX.	1	
009	14751-ZE2-003	SPRING, VALVE	2	
<u>Ref</u>	<u>Partnumber</u>	<u>Description</u>	<u>GX240K1</u>	<u>Serial Numbers</u>
010	14771-ZE2-000	RETAINER, IN. VALVE SPRING	1	
011	14773-ZE2-000	RETAINER, EX. VALVE SPRING	1	
011	14773-ZE2-000	RETAINER, EX. VALVE SPRING	1	
012	14781-ZE2-000	ROTATOR, VALVE	1	
013	14791-ZE2-010	GUIDE, PUSH ROD	1	
014	90012-ZE0-010	BOLT, PIVOT, 8MM	2	
015	90206-ZE1-000	NUT, PIVOT ADJUSTING	2	



HENG-X0003

<u>Ref</u>	<u>Partnumber</u>	<u>Description</u>	<u>GX240K1</u>	<u>Serial Numbers</u>
001	061A1-ZE2-040	GASKET KIT	1	4045100
001	061A1-ZE2-040	GASKET KIT	1	