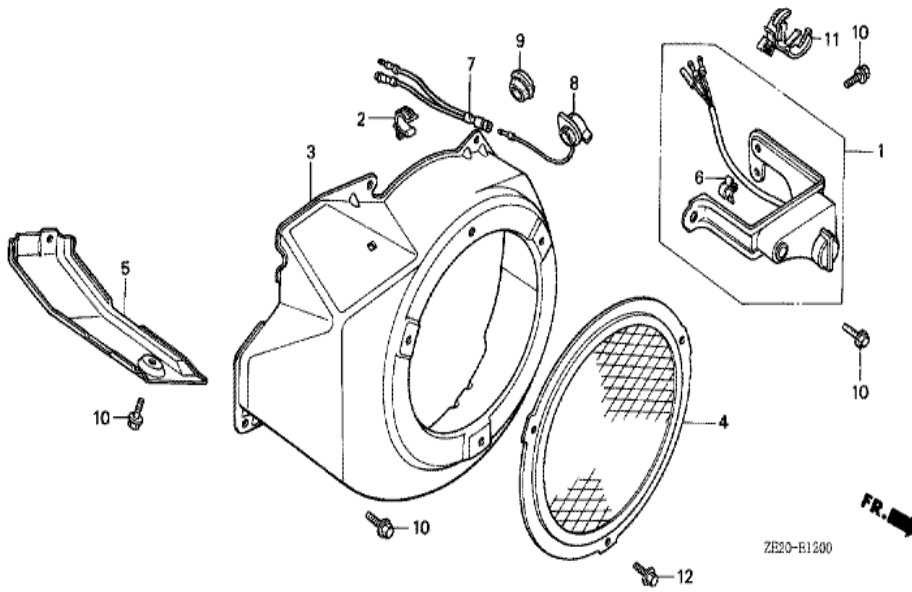
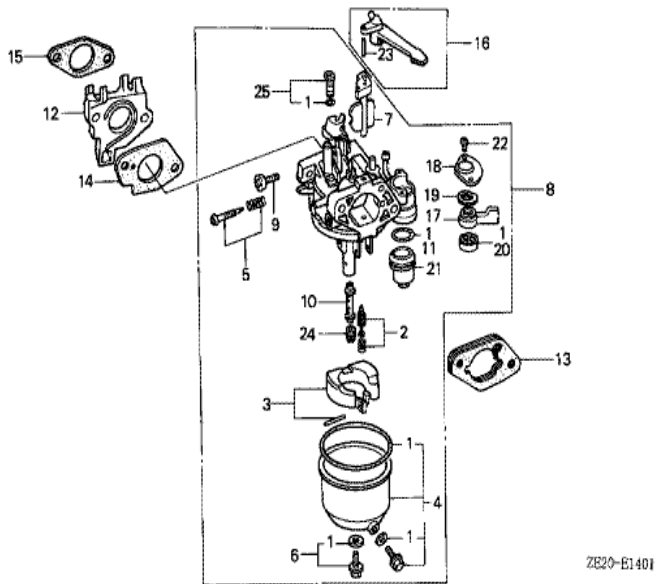


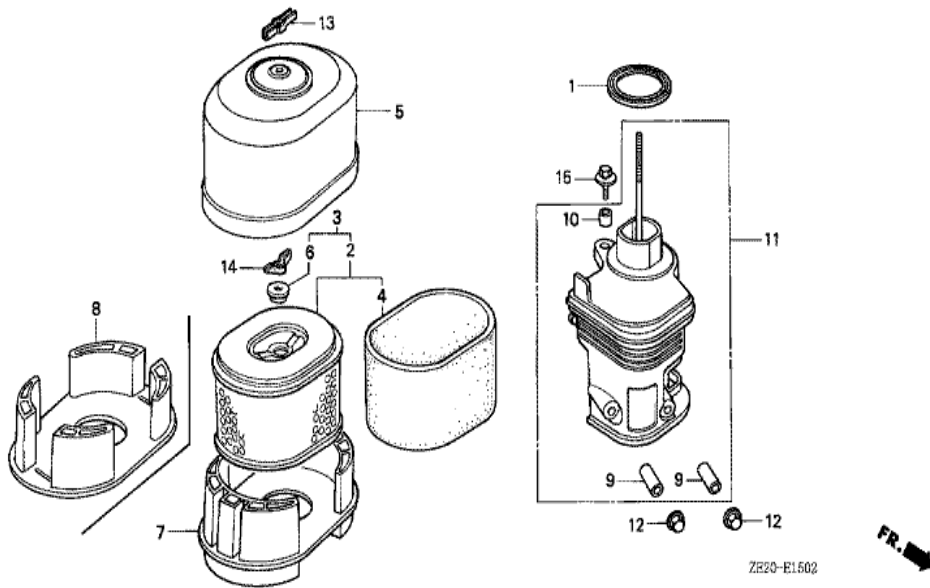
<u>Ref</u>	<u>Partnumber</u>	<u>Description</u>	<u>GX240</u>	<u>Serial Numbers</u>
001	28400-ZE2-003ZA	STARTER ASSY., RECOIL *R8 *	(1)	
002	28410-ZE2-003ZA	CASE COMP., RECOIL STARTER *R8 *	(1)	
003	28420-889-631	REEL COMP., STARTER	(1)	
004	28422-ZE1-711	RATCHET, STARTER	(1)	
005	28423-ZE1-711	SHAFT, RATCHET	(1)	
006	28424-ZE1-711	PLATE, GUIDE	(1)	
007	28431-ZE1-711	PLATE A, FRICTION	(1)	
008	28432-ZG0-003	PLATE B, FRICTION	(1)	
009	28434-ZE1-711	COVER, STARTER REEL	(1)	
010	28441-ZE1-711	SPRING, FRICTION (D=18.5MM / L=20.5MM)	(1)	
011	28442-ZE1-711	SPRING, RETURN	(1)	
012	28461-889-631	GRIP, STARTER	(1)	
013	28462-ZE2-003	ROPE, STARTER	(1)	
<u>Ref</u>	<u>Partnumber</u>	<u>Description</u>	<u>GX240</u>	<u>Serial Numbers</u>
014	90003-ZG0-003	BOLT, REEL COVER	(1)	
015	90011-ZG0-000	BOLT, FLANGE, 6X8	3	



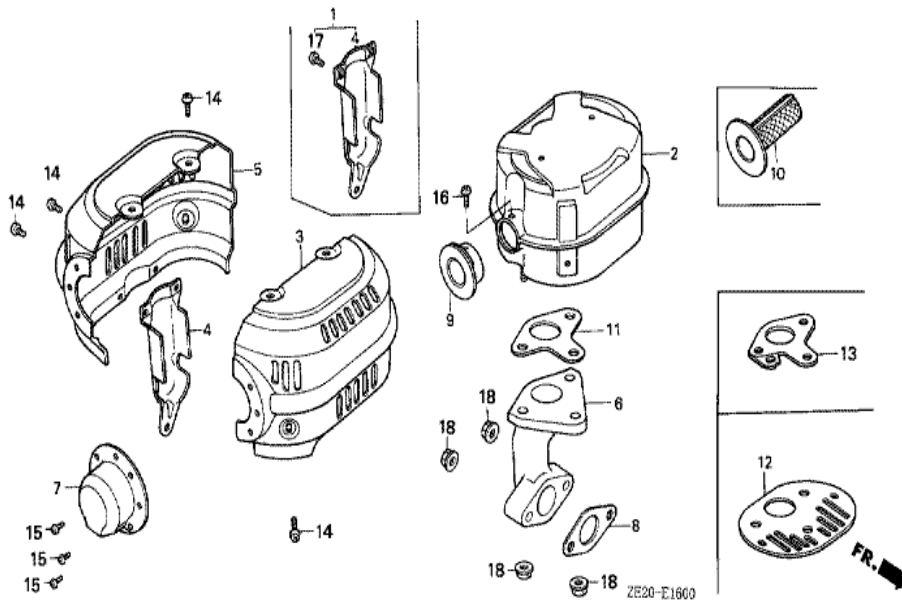
Ref	Partnumber	Description	GX240	Serial Numbers
002	16731-ZE2-003	CLIP, TUBE	1	
003	19610-ZE2-N00ZA	COVER COMP., FAN (100DB) *R8 *	1	
005	19631-ZE2-010	SHROUD	1	1014290
009	81329-567-020	GROMMET, DRAIN HOLE	1	1494880
010	90013-883-000	BOLT, FLANGE, 6X12 (CT200)	(N)	



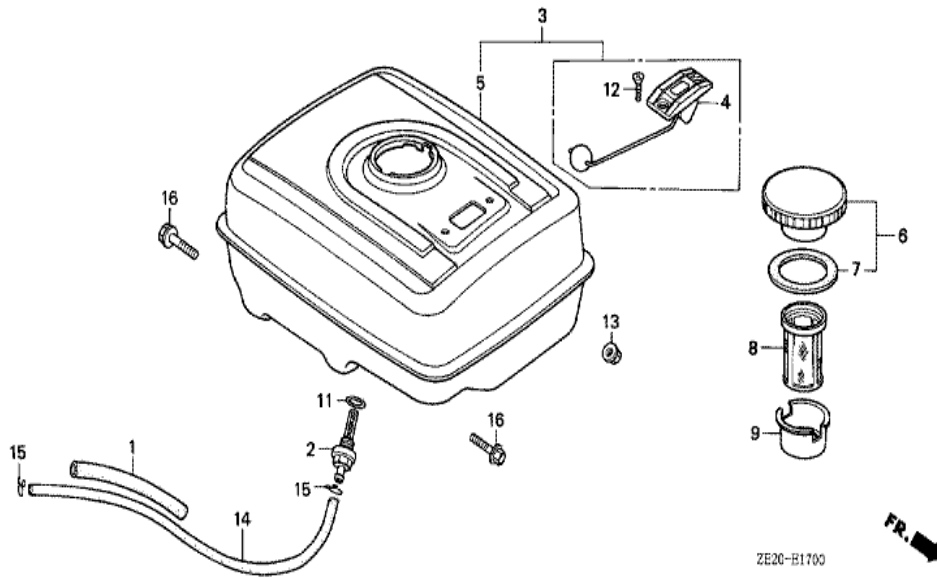
<u>Ref</u>	<u>Partnumber</u>	<u>Description</u>	<u>GX240</u>	<u>Serial Numbers</u>
001	16010-ZE2-812	GASKET SET	1	BE15B E
002	16011-ZA0-931	VALVE SET, FLOAT	(1)	
003	16013-ZA0-931	FLOAT SET	(1)	
004	16015-ZE2-005	CHAMBER SET, FLOAT	(1)	
005	16016-ZA0-931	SCREW SET, PILOT	(1)	
006	16028-ZE0-005	SCREW SET	(1)	
007	16044-ZE2-005	CHOKE SET	(1)	
008	16100-ZE2-814	CARBURETOR ASSY. (BE15B E)	(1)	
009	16124-ZE0-005	SCREW, THROTTLE STOP	(1)	
010	16166-ZE2-015	NOZZLE, MAIN	(1)	
011	16173-001-004	PACKING, FUEL STRAINER CUP	(1)	
012	16211-ZE2-000	INSULATOR, CARBURETOR	1	
013	16220-ZA0-702	SPACER COMP., CARBURETOR	1	1160854
<u>Ref</u>	<u>Partnumber</u>	<u>Description</u>	<u>GX240</u>	<u>Serial Numbers</u>
014	16221-ZA0-700	PACKING, CARBURETOR	1	
015	16223-ZA0-700	PACKING, INSULATOR	1	BE15B D
016	16610-ZE1-000	LEVER COMP., CHOKE (STD.)	1	
017	16953-ZE1-811	LEVER, COCK	(1)	
018	16954-ZE1-811	PLATE, LEVER SETTING	(1)	
019	16956-ZE1-811	SPRING, COCK LEVER	(1)	
020	16957-ZE1-812	PACKING, FUEL COCK	1	
021	16967-ZE0-811	CUP, FUEL STRAINER	(1)	
022	93500-030081G	SCREW, PAN, 3X8	2	BE15B E
023	94305-20122	PIN, SPRING, 2X12	1	
024	99101-1240820	JET, MAIN, #82	(1)	
024	99101-1240850	JET, MAIN, #85	(1)	BE15B D
024	99101-1240880	JET, MAIN, #88	(1)	
025	99204-ZE20380	JET SET, PILOT, #38	(1)	



Ref	Partnumber	Description	GX240	Serial Numbers
001	16271-ZE2-000	PACKING, ELBOW	(1)	
002	17210-ZE3-010	ELEMENT, AIR CLEANER	1	
004	17218-ZE3-000	FILTER, OUTER	1	
005	17230-ZE3-000	COVER, AIR CLEANER (STD.)	1	
006	17232-891-000	GROMMET, AIR CLEANER	(1)	
008	17235-ZE3-N00	NOSE, SILENCER (100DB)	1	
009	17238-ZE2-310	COLLAR, AIR CLEANER	2	1095732
010	17239-ZE1-000	COLLAR B, AIR CLEANER	(1)	
011	17410-ZE3-010	ELBOW COMP., AIR CLEANER	1	
012	90201-415-000	NUT, CAP, 6MM	(2)	
013	90203-PB2-000	NUT, AIR CLEANER COVER (DACRO COATING)	1	
014	90325-044-000	NUT, TOOL BOX SETTING	(1)	
015	93494-0602008	BOLT-WASHER, 6X20	(1)	



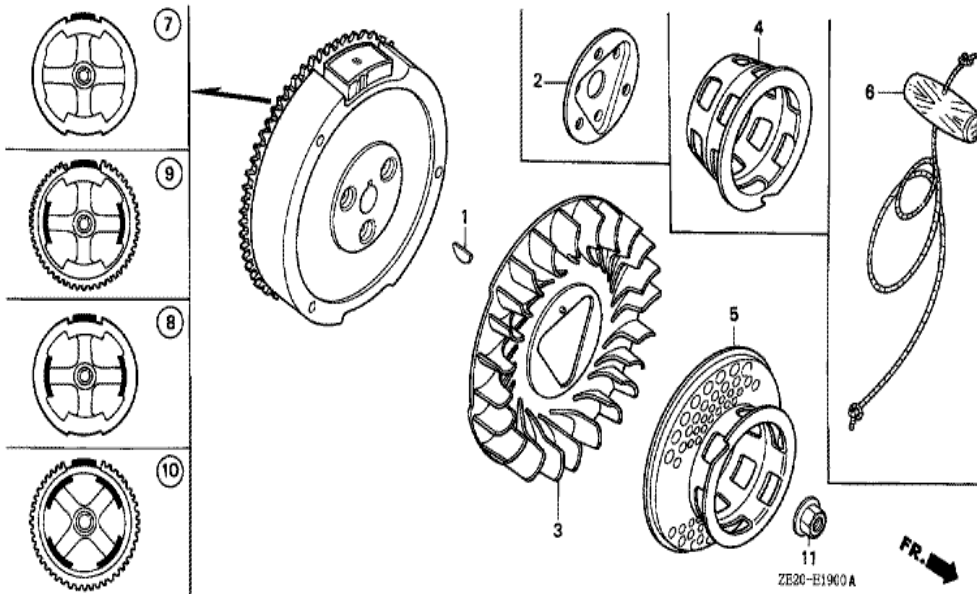
Ref	Partnumber	Description	GX240	Serial Numbers
002	18310-ZE3-N01	MUFFLER COMP.	1	
003	18320-ZE3-003	PROTECTOR, R. MUFFLER	1	
005	18325-ZE3-003	PROTECTOR, L. MUFFLER	1	
006	18330-ZE2-000	PIPE, EX.	1	
008	18333-ZE3-000	GASKET, EX. PIPE	1	1072860
010	18355-ZE2-000	ARRESTER, SPARK	1	
010	18355-ZE3-010	ARRESTER, SPARK	1	
013	18381-ZE3-820	GASKET, MUFFLER (ARRESTER)	1	
014	90050-ZE1-000	SCREW, TAPPING, 5X8	(6)	
018	94050-08000	NUT, FLANGE, 8MM	2	



ZE20-B1700

FR. →

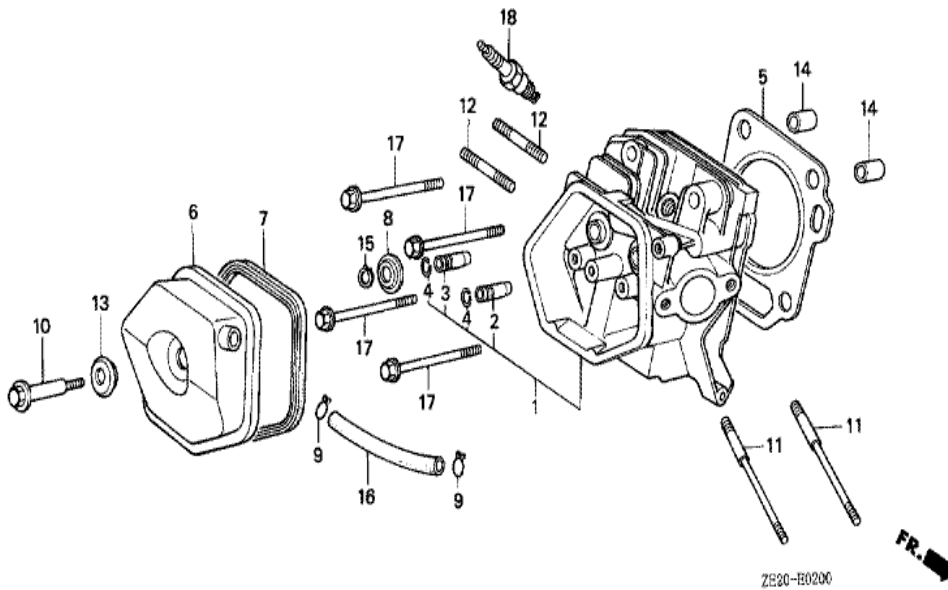
Ref	Partnumber	Description	GX240	Serial Numbers
001	16854-ZE1-000	RUBBER, SUPPORTER (107MM)	1	1523056
001	16854-ZH8-000	RUBBER, SUPPORTER (107MM)	1	1487905
002	16955-ZE1-000	JOINT, FUEL TANK	1	
005	17510-ZE2-000ZA	TANK COMP., FUEL *NH31 *	(1)	1487905
005	17510-ZE2-010ZA	TANK COMP., FUEL *NH31 *	(1)	1487906
006	17620-890-010	CAP COMP., FUEL FILLER	(1)	
007	17631-329-003	PACKING, FUEL FILLER CAP (39X58X3)	(1)	
011	91353-671-004	O-RING, 14MM (NOK)	(1)	
013	94050-08000	NUT, FLANGE, 8MM	2	
014	95001-4522240	TUBE, FUEL, 4.5X222 (95001-45001-60M)	(1)	
015	95002-02080	CLIP, TUBE (B8)	2	
016	95900-0802500	BOLT, FLANGE, 8X25	2	



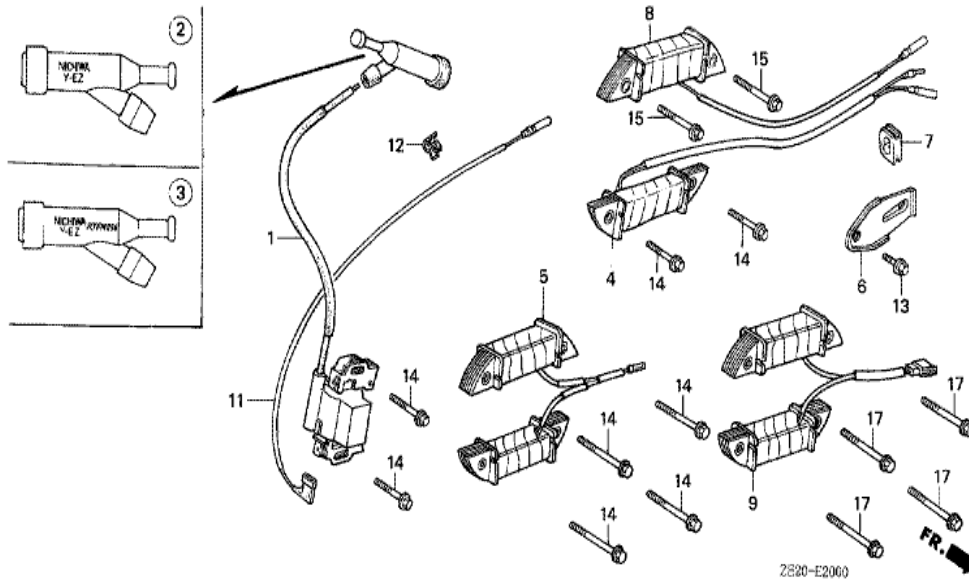
ZE20-E1900A



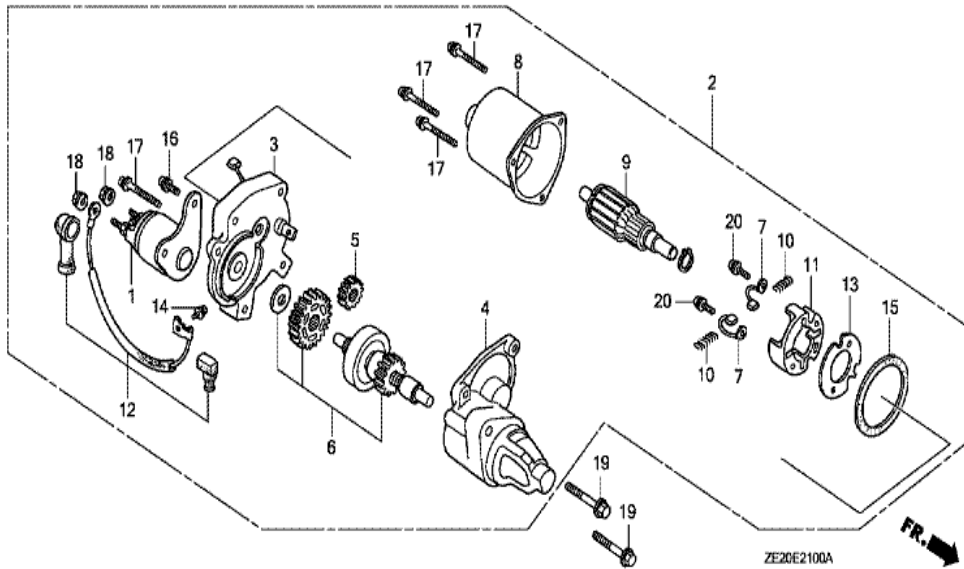
Ref	Partnumber	Description	GX240	Serial Numbers
001	13331-357-000	KEY, SPECIAL WOODRUFF, 25X18	1	
003	19511-ZE2-000	FAN, COOLING	1	
005	28451-ZE2-811	PULLEY COMP., STARTER	(1)	
009	31100-ZE2-821	FLYWHEEL COMP. (STARTER MOTOR)	1	
011	90201-ZE3-790	NUT, SPECIAL, 16MM	1	



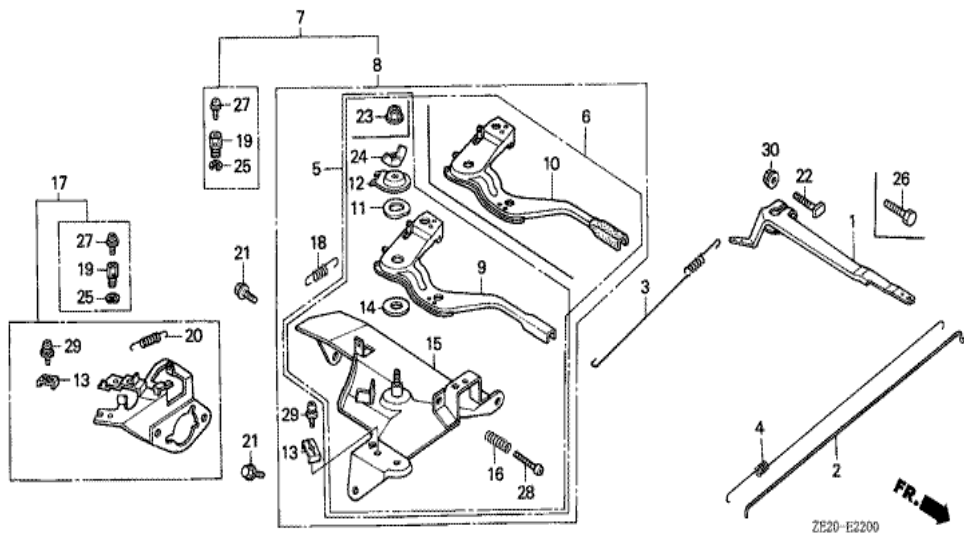
<u>Ref</u>	<u>Partnumber</u>	<u>Description</u>	<u>GX240</u>	<u>Serial Numbers</u>
001	122A0-ZE2-030	HEAD COMP., CYLINDER	1	
002	12204-ZE2-315	GUIDE, IN. VALVE (OS)	(1)	1000441
003	12205-ZE2-305	GUIDE, EX. VALVE (OS)	(1)	
004	12216-ZE2-300	CLIP, VALVE GUIDE	2	
005	12251-ZE2-000	GASKET, CYLINDER HEAD	1	
006	12310-ZE2-010	COVER COMP., HEAD	1	1014290
007	12391-ZE2-010	PACKING, HEAD COVER	1	1086329
008	14775-ZE2-010	SEAT, VALVE SPRING	1	
010	90014-ZE2-000	BOLT, HEAD COVER	1	
011	90042-ZE2-000	BOLT, STUD, 8X123	2	
012	90047-ZE2-000	BOLT, STUD, 8X47	2	
013	90441-ZE2-010	WASHER COMP., HEAD COVER	1	1069850
014	94301-12200	DOWEL PIN, 12X20	2	
<u>Ref</u>	<u>Partnumber</u>	<u>Description</u>	<u>GX240</u>	<u>Serial Numbers</u>
015	94510-11000	CIRCLIP, EXTERNAL, 11MM	1	
016	95005-1110530	TUBE, 11X105 (95005-11001-30M)	1	1014290
017	95725-1008000	BOLT, FLANGE, 10X80	4	
018	98079-55855	PLUG, SPARK (W16EPR-U) (DENSO)	(1)	
018	98079-56846	PLUG, SPARK (BPR6ES) (NGK)	(1)	
018	98079-56855	PLUG, SPARK (W20EPR-U) (DENSO)	(1)	



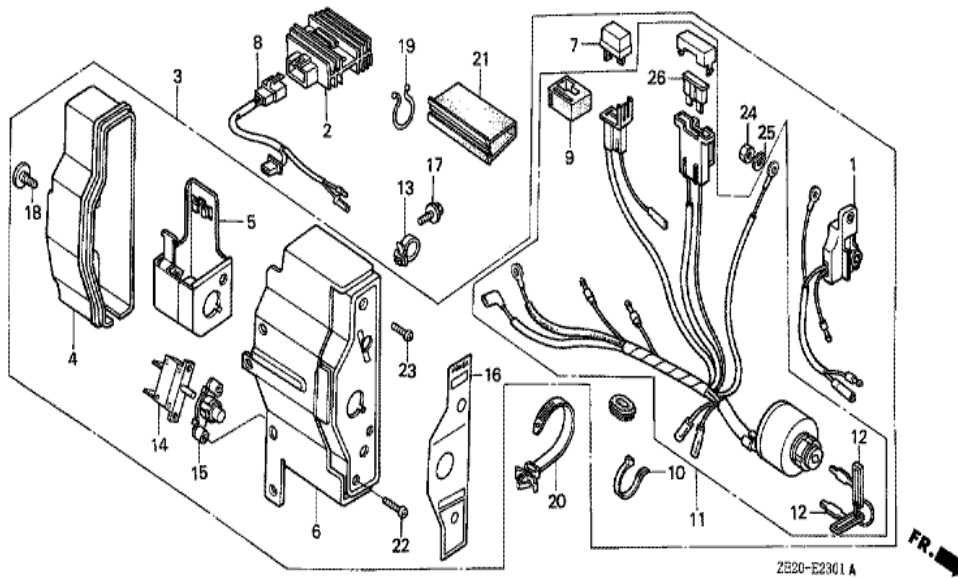
Ref	Partnumber	Description	GX240	Serial Numbers
001	30500-ZE2-003	COIL ASSY., IGNITION	(1)	1512433
001	30500-ZE2-013	COIL ASSY., IGNITION	1	1512434
003	30700-ZE1-013	CAP ASSY., NOISE SUPPRESSOR (NICHIBA Y-E	(1)	
006	31511-ZE2-000	CLAMPER, CORD	(1)	
007	31512-ZE2-000	GROMMET, CORD	1	
008	31630-ZE1-003	COIL ASSY., CHARGE (1A)	1	1479500
011	36101-ZE1-010	CORD, STOP SWITCH (370MM)	1	1512434
011	36101-ZE2-000	CORD, STOP SWITCH	(1)	1512433
012	36103-ZE1-000	HOLDER, STOP SWITCH CORD	2	1487105
013	90013-883-000	BOLT, FLANGE, 6X12 (CT200)	(1)	
014	90015-883-000	BOLT, FLANGE, 6X28 (CT200)	(2)	



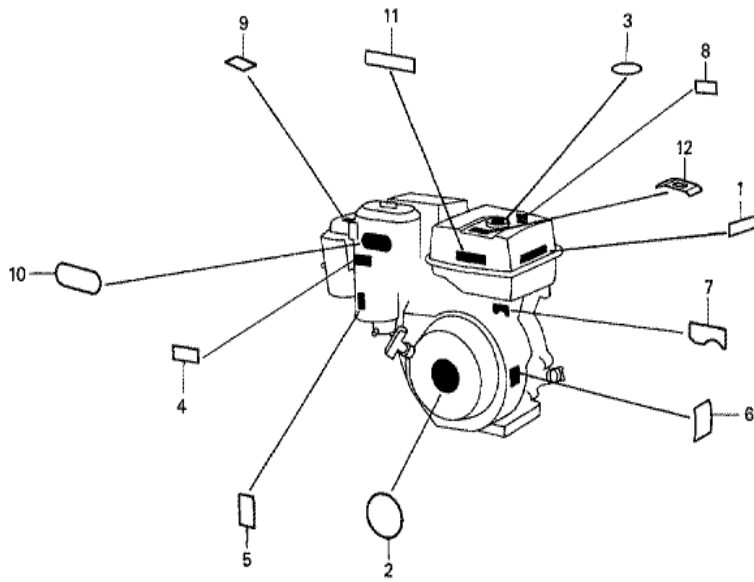
<u>Ref</u>	<u>Partnumber</u>	<u>Description</u>	<u>GX240</u>	<u>Serial Numbers</u>
001	31204-ZA0-003	CONTACTOR ASSY.	(1)	1012981
002	31210-ZE2-003	MOTOR UNIT, STARTER	(1)	
003	31211-ZE2-003	BRACKET, CENTER	(1)	
004	31212-ZE2-003	BRACKET, FR.	(1)	
005	31213-ZE2-003	GEAR, DRIVE PINION	(1)	
006	31214-ZE2-003	CLUTCH COMP., OVERRUNNING	(1)	
007	31215-ZE2-003	BRUSH	(2)	
008	31216-ZE2-003	YOKE COMP.	(1)	
009	31217-ZE2-003	ARMATURE COMP.	(1)	
010	31219-ZE2-003	SPRING, BRUSH RETURN	(4)	
011	31231-ZE2-003	HOLDER, BRUSH	(1)	
012	31232-ZE2-013	WIRE, WATER COVER	(1)	
013	31233-ZE2-003	INSULATOR	(1)	
<u>Ref</u>	<u>Partnumber</u>	<u>Description</u>	<u>GX240</u>	<u>Serial Numbers</u>
014	90110-ZE2-003	SCREW-WASHER, 4X6	(1)	
015	91601-ZE2-003	PACKING	(1)	
016	93892-0501418	SCREW-WASHER, 5X14	(2)	
017	93892-0503218	SCREW-WASHER, 5X32	(4)	
018	94070-06080	NUT-WASHER, 6MM	(2)	
019	95700-0804000	BOLT, FLANGE, 8X40	(2)	
020	31219-ZE3-003	SCREW-WASHER, 4X14	(2)	



Ref	Partnumber	Description	GX240	Serial Numbers	
001	16551-ZE2-000	ARM, GOVERNOR	1		
002	16555-ZE2-000	ROD, GOVERNOR	1		
003	16561-ZE2-000	SPRING, GOVERNOR (L=145.0MM) (WIRE DIAME	1		
004	16562-ZE2-000	SPRING, THROTTLE RETURN	1		
005	16570-ZE2-010	CONTROL ASSY.	(1)	1519063	
005	16570-ZE2-W00	CONTROL ASSY.	(1)	1519064	
009	16571-ZE2-000	LEVER, CONTROL	(1)	1519063	
009	16571-ZE2-W00	LEVER, CONTROL	(1)	1519064	
011	16574-ZE1-000	SPRING, LEVER	(1)		
012	16575-ZE2-000	WASHER, CONTROL LEVER	(1)	1519063	
012	16575-ZE2-W00	WASHER, CONTROL LEVER	(1)	1519064	
014	16578-ZE1-000	SPACER, CONTROL LEVER	(1)		
015	16581-ZE2-010	BASE COMP., CONTROL	(1)	1519063	
	<u>Ref</u>	<u>Partnumber</u>	<u>Description</u>	<u>GX240</u>	<u>Serial Numbers</u>
015	16581-ZE2-W00	BASE COMP., CONTROL (###)	(1)	1519064	
016	16584-883-300	SPRING, CONTROL ADJUSTING	(1)		
021	90013-883-000	BOLT, FLANGE, 6X12 (CT200)	2		
022	90015-ZE5-010	BOLT, GOVERNOR ARM	1	1094202	
023	90114-SA0-000	NUT, SELF-LOCK, 6MM	(1)	1519064	
024	90352-883-003	NUT, WING, 6MM	(1)	1519063	
028	93500-050280A	SCREW, PAN, 5X28	(1)		
030	94050-06000	NUT, FLANGE, 6MM	1		

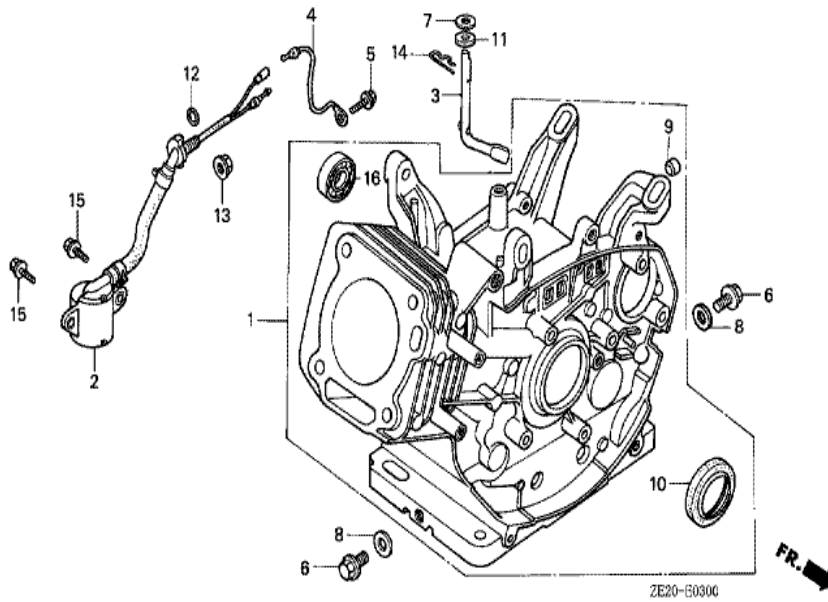


<u>Ref</u>	<u>Partnumber</u>	<u>Description</u>	<u>GX240</u>	<u>Serial Numbers</u>
001	15520-ZE2-822	ALERT UNIT, OIL (SEL)	1	
003	31610-ZE2-832ZB	BOX ASSY., CONTROL (ALERT) *R8 *	1	
004	31612-ZE2-003	CASE, CONTROL	1	
005	31614-ZE2-003	BRACKET, CASE MOUNTING	1	
006	31615-ZE2-003ZB	PANEL COMP., CONTROL *R8 *	1	
007	31700-124-008	RECTIFIER ASSY., SILICON (SHINDENGEN)	1	
009	32127-738-700	SUSPENSION, COUPLER	1	
010	32902-892-003	BAND	1	
011	35100-ZE2-023	SWITCH ASSY., COMBINATION	1	1479500
012	35111-880-003	KEY COMP.	2	
014	38240-VA3-900	PROTECTOR, CIRCUIT (1.0A)	1	1479500
015	38250-ZA8-701	LENS ASSY., PROTECTOR	1	
016	87529-ZE2-831	PANEL, CONTROL BOX (EXTERNAL-ALERT)	1	
<u>Ref</u>	<u>Partnumber</u>	<u>Description</u>	<u>GX240</u>	<u>Serial Numbers</u>
017	90013-883-000	BOLT, FLANGE, 6X12 (CT200)	(2)	3116814
018	90380-MA6-010	SCREW, SPECIAL, 6X12	1	
019	90630-751-000	CLIP, PURSE LOCK	1	
020	90672-SAO-003	STRAP, CABLE, 118MM (BLACK)	1	
021	91406-ZE2-003	TUBE, FASTENER, 30MM	1	
022	93500-030120H	SCREW, PAN, 3X12	2	
023	93500-040120H	SCREW, PAN, 4X12	1	
024	94001-043900S	NUT, HEX., 4MM	(1)	
026	98200-30500	FUSE, BLADE (5A)	1	1479500

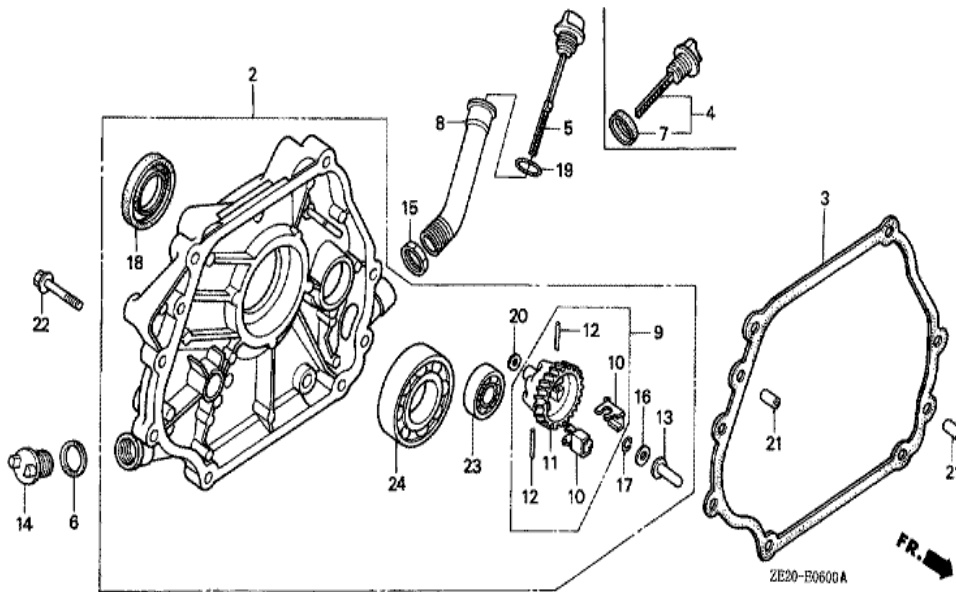


ZE20-E2800

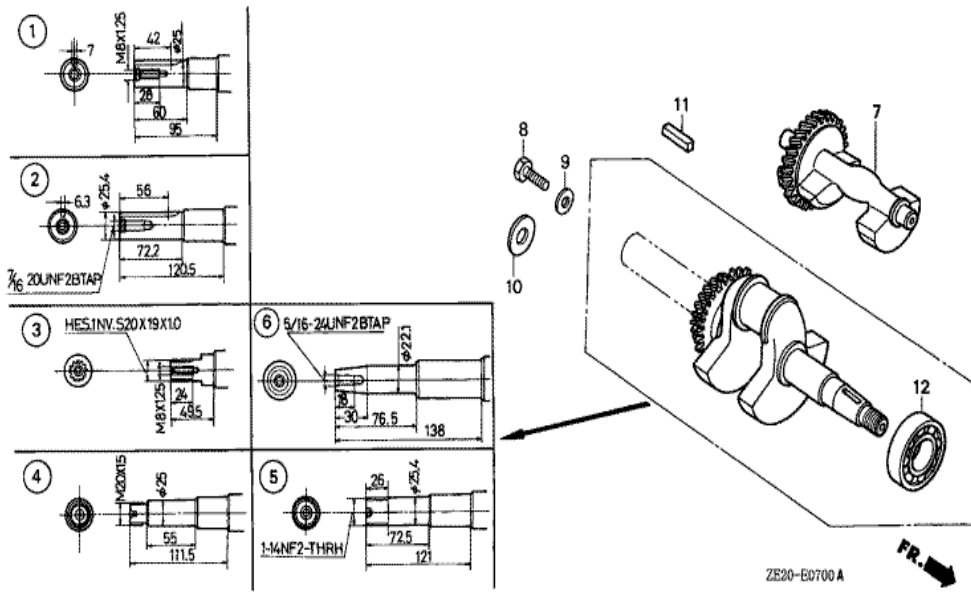
Ref	Partnumber	Description	GX240	Serial Numbers
002	87521-ZE2-830	EMBLEM (EXTERNAL-ALERT)	(1)	
003	87522-ZE1-810	MARK, CAUTION	(1)	
005	87528-ZE2-810	MARK, CHOKE (ORANGE)	(1)	



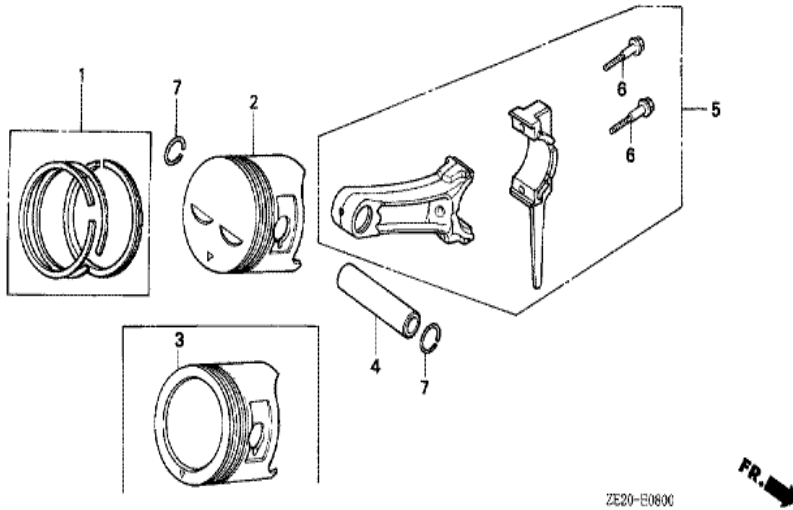
Ref	Partnumber	Description	GX240	Serial Numbers
001	120A0-ZE2-823	BARREL ASSY., CYLINDER (SELFSTARTER+ALER	(1)	1487106
002	15510-ZE2-013	SWITCH ASSY., OIL LEVEL	1	
003	16541-ZE2-000	SHAFT, GOVERNOR ARM	1	
006	90131-883-000	BOLT, DRAIN PLUG, 12X15	2	
007	90446-KE1-000	WASHER, 8.2X17X0.8	1	
008	90601-ZE2-000	WASHER, DRAIN PLUG, 12MM	2	1518601
008	94109-12000	WASHER, DRAIN PLUG, 12MM	2	1518602
010	91201-890-003	OIL SEAL, 30X46X8	(1)	
011	91203-952-771	OIL SEAL, 8X14X5	1	
012	91353-671-004	O-RING, 14MM (NOK)	(1)	
013	94050-10000	NUT, FLANGE, 10MM	(1)	
014	94251-08000	PIN, LOCK, 8MM	1	
015	95700-0601200	BOLT, FLANGE, 6X12	(2)	



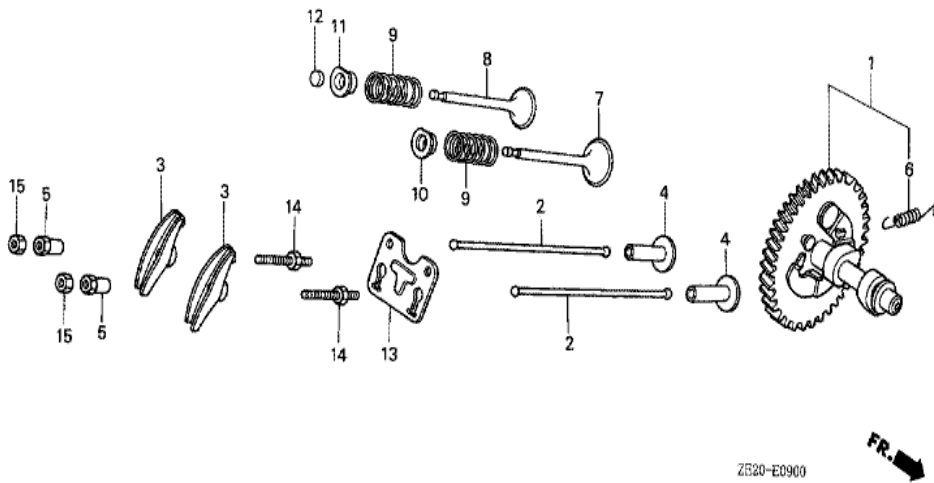
<u>Ref</u>	<u>Partnumber</u>	<u>Description</u>	<u>GX240</u>	<u>Serial Numbers</u>
002	11300-ZE2-600	COVER ASSY., CRANKCASE	1	
003	11381-ZE2-000	PACKING, CASE COVER	1	3151974
004	15600-735-700	CAP ASSY., OIL FILLER	(1)	
006	15621-896-010	PACKING, OIL FILLER CAP	1	
007	15625-ZE1-000	PACKING, OIL FILLER CAP	(1)	
009	16510-ZE2-000	GOVERNOR ASSY.	1	
010	16511-ZE2-000	WEIGHT, GOVERNOR	2	
011	16512-ZE2-000	HOLDER, GOVERNOR WEIGHT	1	
012	16513-ZE2-000	PIN, GOVERNOR WEIGHT	2	
014	15620-ZG4-910	CAP, OIL FILLER	1	1528044
014	25611-735-000	CAP, OIL HOLE	1	1528043
016	90473-147-000	WASHER, 6X16	1	
017	90602-896-000	CLIP, GOVERNOR HOLDER	1	1287216
<u>Ref</u>	<u>Partnumber</u>	<u>Description</u>	<u>GX240</u>	<u>Serial Numbers</u>
017	90602-ZE1-000	CLIP, GOVERNOR HOLDER	1	1287217
018	91201-890-003	OIL SEAL, 30X46X8	1	
020	94101-06800	WASHER, PLAIN, 6MM	1	
022	95900-0803500	BOLT, FLANGE, 8X35	7	
024	96100-6206000	BEARING, RADIAL BALL, 6206	1	



Ref	Partnumber	Description	GX240	Serial Numbers
006	13310-ZE2-670	CRANKSHAFT COMP.	1	1494214
006	13310-ZE2-671	CRANKSHAFT COMP.	1	1494215
011	90741-ZE2-000	KEY, SPECIAL WOODRUFF, 25X18	1	
012	96100-6206000	BEARING, RADIAL BALL, 6206	1	



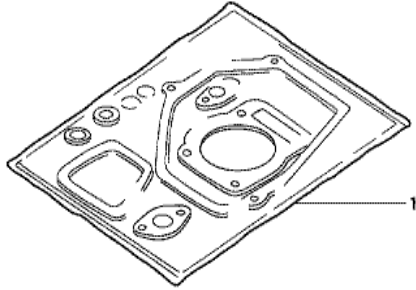
<u>Ref</u>	<u>Partnumber</u>	<u>Description</u>	<u>GX240</u>	<u>Serial Numbers</u>
001	13010-ZE2-013	RING SET, PISTON (STD.) (NIPPON)	1	1242765
001	13010-ZE2-014	RING SET, PISTON (STD.) (TEIKOKU)	1	1281054
001	13011-ZE2-013	RING SET, PISTON (0.25) (NIPPON)	(1)	
001	13011-ZE2-014	RING SET, PISTON (0.25) (TEIKOKU)	(1)	1281054
001	13012-ZE2-013	RING SET, PISTON (0.50) (NIPPON)	(1)	1281054
001	13012-ZE2-014	RING SET, PISTON (0.50) (TEIKOKU)	(1)	1281054
001	13013-ZE2-013	RING SET, PISTON (0.75) (NIPPON)	(1)	1281054
001	13013-ZE2-014	RING SET, PISTON (0.75) (TEIKOKU)	(1)	1281054
002	13101-ZE2-010	PISTON (STD.)	1	1263003
002	13102-ZE2-010	PISTON (0.25)	(1)	1263003
002	13103-ZE2-010	PISTON (0.50)	(1)	1263003
002	13104-ZE2-010	PISTON (0.75)	(1)	1263003
004	13111-ZE2-000	PIN, PISTON	1	
<u>Ref</u>	<u>Partnumber</u>	<u>Description</u>	<u>GX240</u>	<u>Serial Numbers</u>
005	13200-ZE2-000	ROD ASSY., CONNECTING (STD.)	1	
005	13200-ZE2-305	ROD ASSY., CONNECTING (0.25 UNDER SIZE)	(1)	
006	90001-ZE8-000	BOLT, CONNECTING ROD	2	
007	90551-ZE1-000	CLIP, PISTON PIN, 18MM	2	



ZE20-E0900



<u>Ref</u>	<u>Partnumber</u>	<u>Description</u>	<u>GX240</u>	<u>Serial Numbers</u>
001	14100-ZE2-010	CAMSHAFT ASSY.	1	1494214
001	14100-ZE2-020	CAMSHAFT ASSY.	1	1494215
002	14410-ZE2-013	ROD, PUSH	2	
003	14431-ZE2-000	ARM, VALVE ROCKER	2	
004	14441-ZE2-000	LIFTER, VALVE	2	
005	14451-ZE1-003	PIVOT, ROCKER ARM	2	
006	14568-ZE1-000	SPRING, WEIGHT RETURN	1	
007	14711-ZE2-000	VALVE, IN.	1	
008	14721-ZE2-000	VALVE, EX.	(1)	
009	14751-ZE2-003	SPRING, VALVE	2	
010	14771-ZE2-000	RETAINER, IN. VALVE SPRING	1	
011	14773-ZE2-000	RETAINER, EX. VALVE SPRING	1	
012	14781-ZE2-000	ROTATOR, VALVE	1	
<u>Ref</u>	<u>Partnumber</u>	<u>Description</u>	<u>GX240</u>	<u>Serial Numbers</u>
013	14791-ZE2-000	PLATE, PUSH ROD GUIDE	1	1494214
013	14791-ZE2-010	GUIDE, PUSH ROD	1	1494215
014	90012-ZE0-010	BOLT, PIVOT, 8MM	2	
015	90206-ZE1-000	NUT, PIVOT ADJUSTING	2	



HENG-X0003

<u>Ref</u>	<u>Partnumber</u>	<u>Description</u>	<u>GX240</u>	<u>Serial Numbers</u>
001	061A1-ZE2-020	GASKET KIT	1	1072860