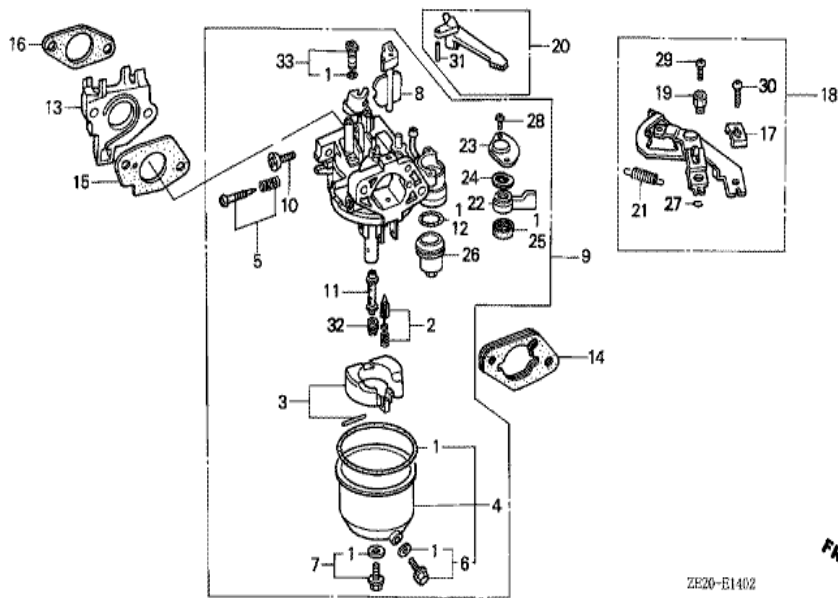


Ref	Partnumber	Description	GX240	Serial Numbers
002	16731-ZE2-003	CLIP, TUBE	1	
003	19610-ZE2-000ZA	COVER COMP., FAN *R8 *	(1)	
004	19620-ZE2-000ZA	PROTECTOR COMP., FAN COVER *R8 *	(1)	
005	19631-ZE2-010	SHROUD	1	1014290
009	81329-567-020	GROMMET, DRAIN HOLE	1	1494880
010	90013-883-000	BOLT, FLANGE, 6X12 (CT200)	(N)	
011	90684-ZA0-601	CLIP, HARNESS	(1)	
012	95701-0600800	BOLT, FLANGE, 6X8	(3)	

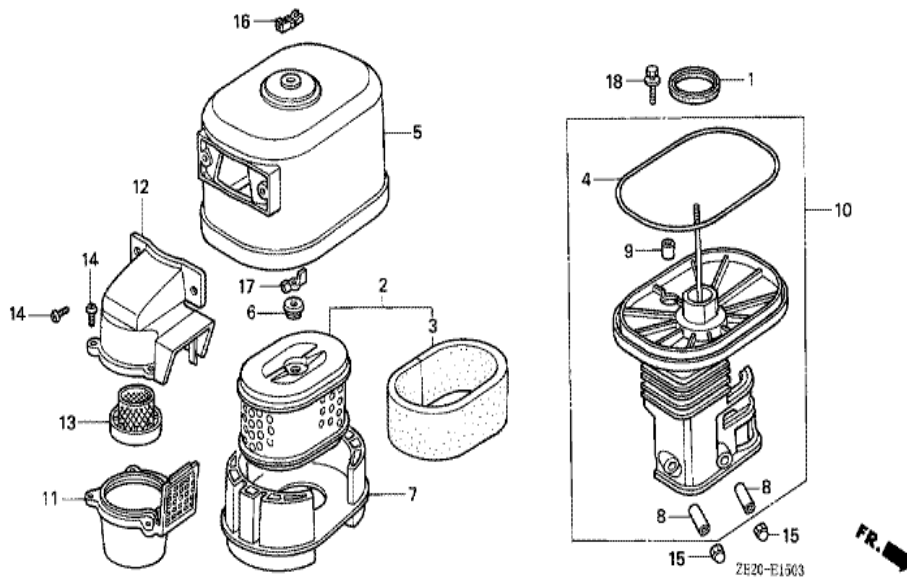


ZE20-E1402

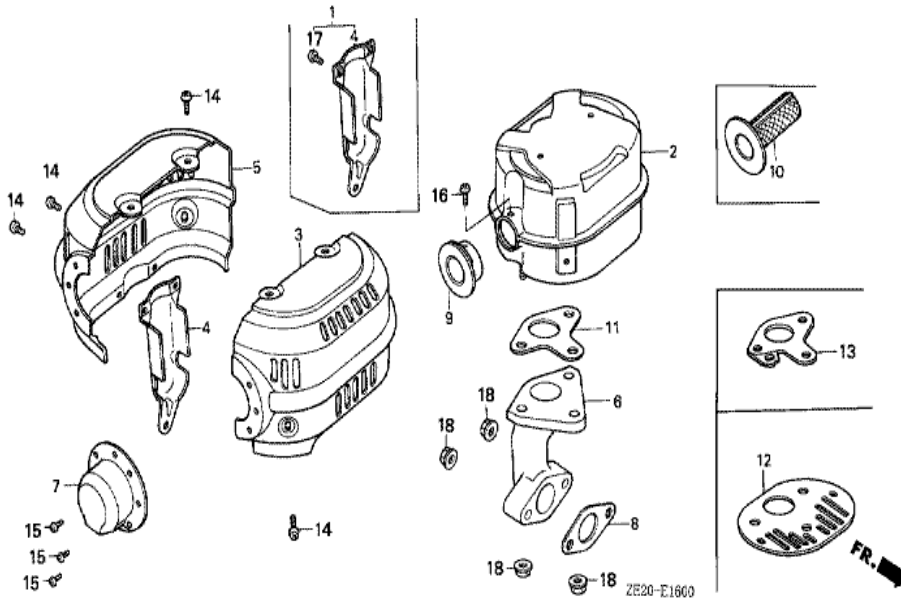


Ref	Partnumber	Description	GX240	Serial Numbers
001	16010-ZE2-811	GASKET SET	1	BE16B B
001	16010-ZE2-812	GASKET SET	1	BE16B C
002	16011-ZA0-931	VALVE SET, FLOAT	1	
003	16013-ZA0-931	FLOAT SET	1	
004	16015-ZE2-005	CHAMBER SET, FLOAT	1	
005	16016-ZA0-931	SCREW SET, PILOT	1	
006	16024-ZE1-811	SCREW SET, DRAIN	1	
007	16028-ZE0-005	SCREW SET	1	
008	16044-ZE2-005	CHOKE SET	1	
009	16100-ZE2-842	CARBURETOR ASSY. (BE16A A)	1	1289751
009	16100-ZE2-911	CARBURETOR ASSY. (BE16B A)	1	1289752
009	16100-ZE2-912	CARBURETOR ASSY. (BE16B B)	1	
009	16100-ZE2-913	CARBURETOR ASSY. (BE16B C)	1	

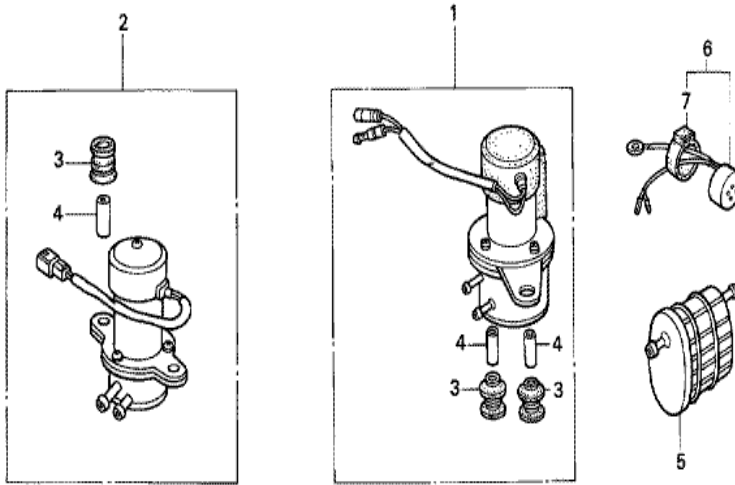
<u>Ref</u>	<u>Partnumber</u>	<u>Description</u>	<u>GX240</u>	<u>Serial Numbers</u>
010	16124-ZE0-005	SCREW, THROTTLE STOP	1	
011	16166-ZE2-015	NOZZLE, MAIN	1	
012	16173-001-004	PACKING, FUEL STRAINER CUP	1	
013	16211-ZE2-000	INSULATOR, CARBURETOR	1	
014	16220-ZA0-702	SPACER COMP., CARBURETOR	1	
015	16221-ZA0-700	PACKING, CARBURETOR	1	
016	16223-ZA0-700	PACKING, INSULATOR	1	
017	16576-891-000	HOLDER, CABLE	1	
018	16590-ZE2-812	STAY ASSY., CHOKE CONTROL (REMOTE)	1	
019	16594-883-010	HOLDER, WIRE	1	
020	16610-ZE1-000	LEVER COMP., CHOKE (STD.)	1	
021	16615-ZE2-810	SPRING, RETURN	1	
022	16953-ZE1-811	LEVER, COCK	1	
023	16954-ZF0-841	PLATE, LEVER SETTING	1	
024	16956-ZE1-811	SPRING, COCK LEVER	1	
025	16957-ZE1-811	PACKING, FUEL COCK	1	BE16B B
025	16957-ZE1-812	PACKING, FUEL COCK	1	BE16A C
026	16967-ZE0-811	CUP, FUEL STRAINER	1	
027	90605-230-000	CIRCLIP, 5MM	1	
028	93500-030081G	SCREW, PAN, 3X8	2	BE16B C
028	93500-030081H	SCREW, PAN, 3X8	2	BE16B B
029	93500-040060H	SCREW, PAN, 4X6	1	
030	93893-0501600	SCREW-WASHER, 5X16	1	
031	94305-20122	PIN, SPRING, 2X12	1	
032	99101-1240880	JET, MAIN, #88	(1)	
032	99101-1240900	JET, MAIN, #90	(1)	
032	99101-1240920	JET, MAIN, #92	1	BE16A A
032	99101-1240950	JET, MAIN, #95	1	BE16B A



<u>Ref</u>	<u>Partnumber</u>	<u>Description</u>	<u>GX240</u>	<u>Serial Numbers</u>
001	16271-ZE2-000	PACKING, ELBOW	1	
002	17210-ZE3-000	ELEMENT, AIR CLEANER	1	
002	17210-ZE3-010	ELEMENT, AIR CLEANER	1	
003	17218-ZE3-000	FILTER, OUTER	1	
004	17219-ZE3-840	PACKING, AIR CLEANER COVER	1	
005	17230-ZE3-841	COVER COMP., AIR CLEANER (CYCLONE)	1	
006	17232-891-000	GROMMET, AIR CLEANER	1	
008	17238-ZE2-310	COLLAR, AIR CLEANER	2	
009	17239-ZE3-840	COLLAR B, AIR CLEANER	1	1166939
010	17410-ZE3-840	ELBOW COMP., AIR CLEANER	1	
011	17470-ZE3-841	CASE COMP., PRE AIR CLEANER	1	
012	17475-ZE3-841	CAP, PRE AIR CLEANER	1	
013	17476-ZE3-841	GUIDE, PRE AIR CLEANER	1	
<u>Ref</u>	<u>Partnumber</u>	<u>Description</u>	<u>GX240</u>	<u>Serial Numbers</u>
014	90142-MB0-000	SCREW, PAN, 5X16.5	5	
015	90201-415-000	NUT, CAP, 6MM	2	
016	90203-PB2-000	NUT, AIR CLEANER COVER (DACRO COATING)	1	
017	90325-044-000	NUT, TOOL BOX SETTING	1	
018	93494-0602008	BOLT-WASHER, 6X20	1	



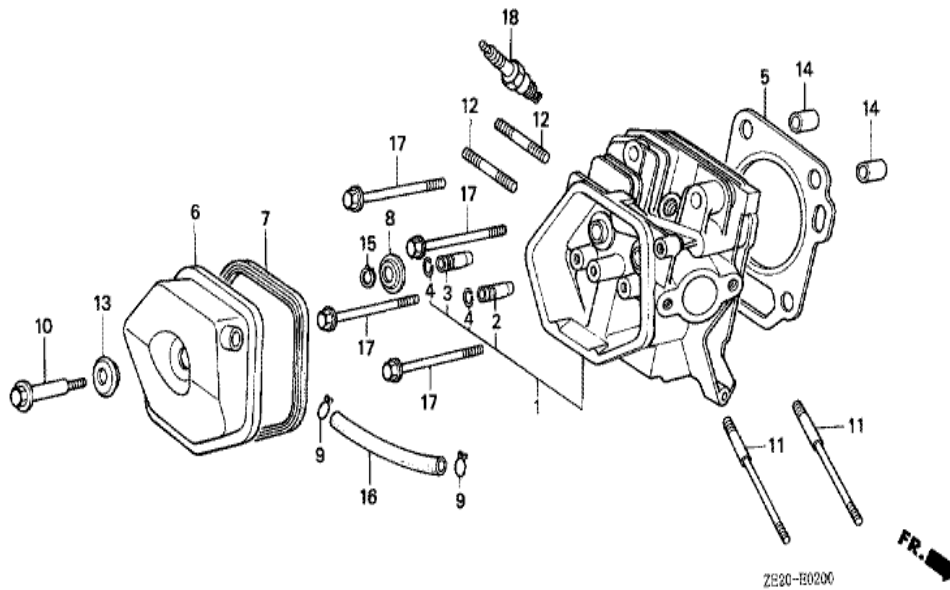
Ref	Partnumber	Description	GX240	Serial Numbers
008	18333-ZE3-000	GASKET, EX. PIPE	1	1072860
018	94050-08000	NUT, FLANGE, 8MM	2	



ZE20-E1800

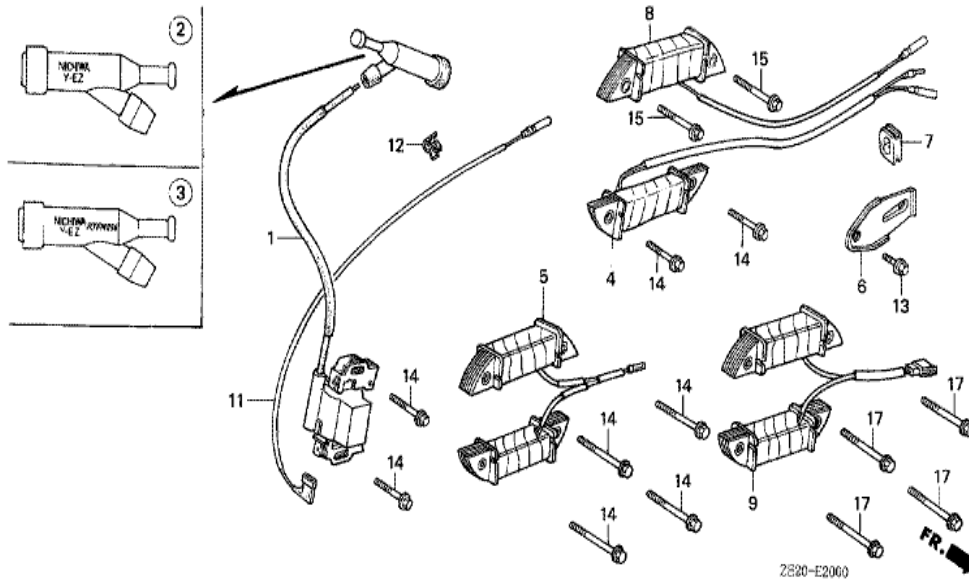
Ref	Partnumber	Description	GX240	Serial Numbers
001	16700-679-063	PUMP ASSY., FUEL (MITSUBISHI)	1	1244536
001	16700-756-003	PUMP ASSY., FUEL (MITSUBISHI)	1	1244537 1289751
002	16700-679-083	PUMP ASSY., FUEL (COUPLER)	1	1289752
003	16711-679-000	RUBBER, FUEL PUMP MOUNTING	2	
004	16712-605-310	COLLAR, DISTANCE	2	1244537 1289751
004	16712-657-300	COLLAR, FUEL PUMP DISTANCE	2	1244536
004	16712-657-300	COLLAR, FUEL PUMP DISTANCE	2	1289752
005	16900-611-004	STRAINER COMP., FUEL	1	
006	38400-ZE8-003	BUZZER ASSY.	1	
007	38402-GC1-000	SUSPENSION, AUDIBLE PILOT	1	



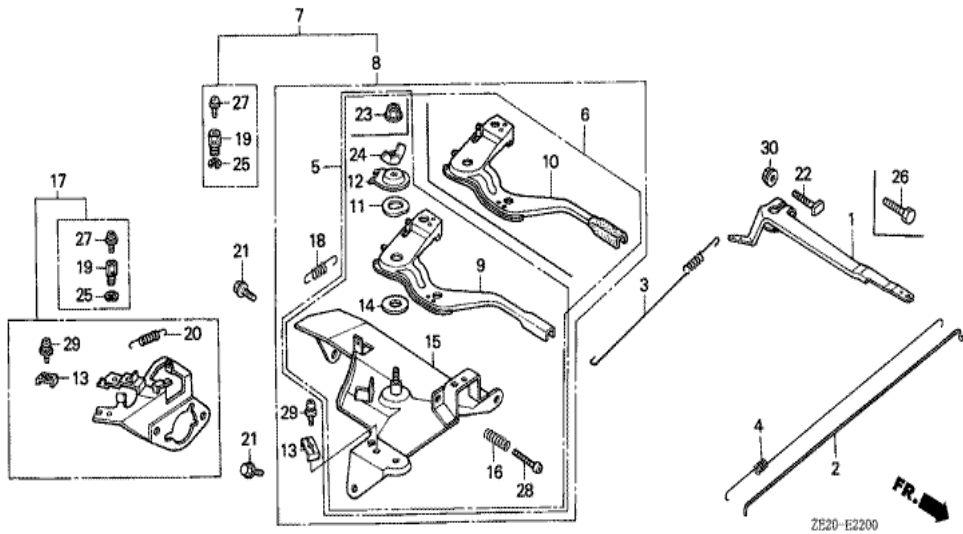


<u>Ref</u>	<u>Partnumber</u>	<u>Description</u>	<u>GX240</u>	<u>Serial Numbers</u>
001	122A0-ZE2-030	HEAD COMP., CYLINDER	1	
002	12204-ZE2-315	GUIDE, IN. VALVE (OS)	(1)	1000441
003	12205-ZE2-305	GUIDE, EX. VALVE (OS)	(1)	
004	12216-ZE2-300	CLIP, VALVE GUIDE	2	
005	12251-ZE2-000	GASKET, CYLINDER HEAD	1	
006	12310-ZE3-790	COVER COMP., HEAD (BREATHER TUBE JOINT)	1	
007	12391-ZE2-010	PACKING, HEAD COVER	1	1086329
008	14775-ZE2-010	SEAT, VALVE SPRING	1	
009	17316-611-000	CLIP, BREATHER TUBE	2	
010	90014-ZE2-000	BOLT, HEAD COVER	1	
011	90042-ZE2-000	BOLT, STUD, 8X123	2	
012	90002-ZE2-Y10	BOLT, STUD, 8X18	2	1204968
012	90012-KM9-000	BOLT, STUD, 8X34	2	1204969
<u>Ref</u>	<u>Partnumber</u>	<u>Description</u>	<u>GX240</u>	<u>Serial Numbers</u>
013	90441-ZE2-010	WASHER COMP., HEAD COVER	1	1069850
014	94301-12200	DOWEL PIN, 12X20	2	
015	94510-11000	CIRCLIP, EXTERNAL, 11MM	1	
016	12315-ZE3-840	TUBE, BREATHER	1	
017	95725-1008000	BOLT, FLANGE, 10X80	4	
018	98079-55846	PLUG, SPARK (BPR5ES) (NGK)	(1)	
018	98079-55855	PLUG, SPARK (W16EPR-U) (DENSO)	(1)	
018	98079-56846	PLUG, SPARK (BPR6ES) (NGK)	(1)	
018	98079-56855	PLUG, SPARK (W20EPR-U) (DENSO)	(1)	

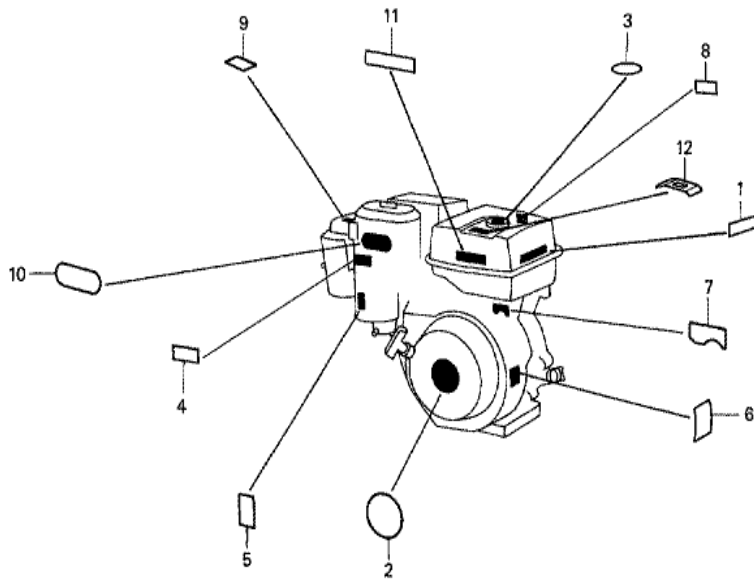




Ref	Partnumber	Description	GX240	Serial Numbers
001	30500-ZE2-003	COIL ASSY., IGNITION	(1)	1512433
001	30500-ZE2-013	COIL ASSY., IGNITION	1	1512434
003	30700-ZE1-013	CAP ASSY., NOISE SUPPRESSOR (NICHUWA Y-E	(1)	
007	31512-ZE2-000	GROMMET, CORD	1	
011	36101-ZE1-010	CORD, STOP SWITCH (370MM)	1	1512434
011	36101-ZE2-000	CORD, STOP SWITCH	(1)	1512433
012	36103-ZE1-000	HOLDER, STOP SWITCH CORD	2	1487105
014	90015-883-000	BOLT, FLANGE, 6X28 (CT200)	(2)	

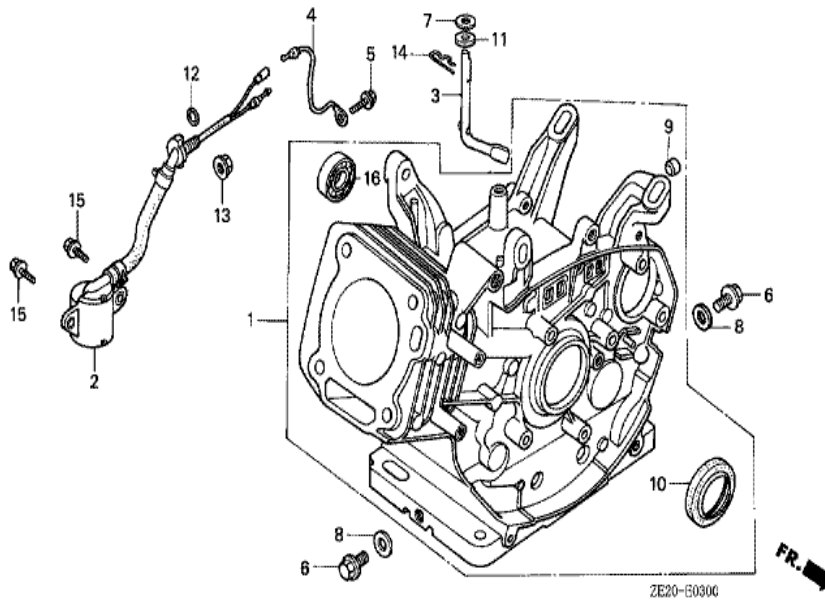


Ref	Partnumber	Description	GX240	Serial Numbers
001	16551-ZE2-000	ARM, GOVERNOR	1	
002	16555-ZE2-000	ROD, GOVERNOR	1	
003	16561-ZE2-000	SPRING, GOVERNOR (L=145.0MM) (WIRE DIAME	1	
004	16562-ZE2-000	SPRING, THROTTLE RETURN	1	
008	16570-ZE2-821	CONTROL ASSY. (REMOTE)	(1)	1519063
008	16570-ZE2-W20	CONTROL ASSY. (REMOTE)	(1)	1519064
009	16571-ZE2-000	LEVER, CONTROL	(1)	1519063
009	16571-ZE2-W00	LEVER, CONTROL	(1)	1519064
011	16574-ZE1-000	SPRING, LEVER	(1)	
012	16575-ZE2-000	WASHER, CONTROL LEVER	(1)	1519063
012	16575-ZE2-W00	WASHER, CONTROL LEVER	(1)	1519064
013	16576-891-000	HOLDER, CABLE	(1)	
014	16578-ZE1-000	SPACER, CONTROL LEVER	(1)	
<u>Ref</u>	<u>Partnumber</u>	<u>Description</u>	<u>GX240</u>	<u>Serial Numbers</u>
015	16581-ZE2-010	BASE COMP., CONTROL	(1)	1519063
015	16581-ZE2-W00	BASE COMP., CONTROL (###)	(1)	1519064
016	16584-883-300	SPRING, CONTROL ADJUSTING	(1)	
018	16592-883-310	SPRING, CABLE RETURN	(1)	
021	90013-883-000	BOLT, FLANGE, 6X12 (CT200)	2	
022	90015-ZE5-010	BOLT, GOVERNOR ARM	1	1094202
023	90114-SA0-000	NUT, SELF-LOCK, 6MM	(1)	1519064
024	90352-883-003	NUT, WING, 6MM	(1)	1519063
028	93500-050280A	SCREW, PAN, 5X28	(1)	
029	93500-050160A	SCREW, PAN, 5X16	(1)	1519064
029	93893-0501600	SCREW-WASHER, 5X16	(1)	1519063
030	94050-06000	NUT, FLANGE, 6MM	1	

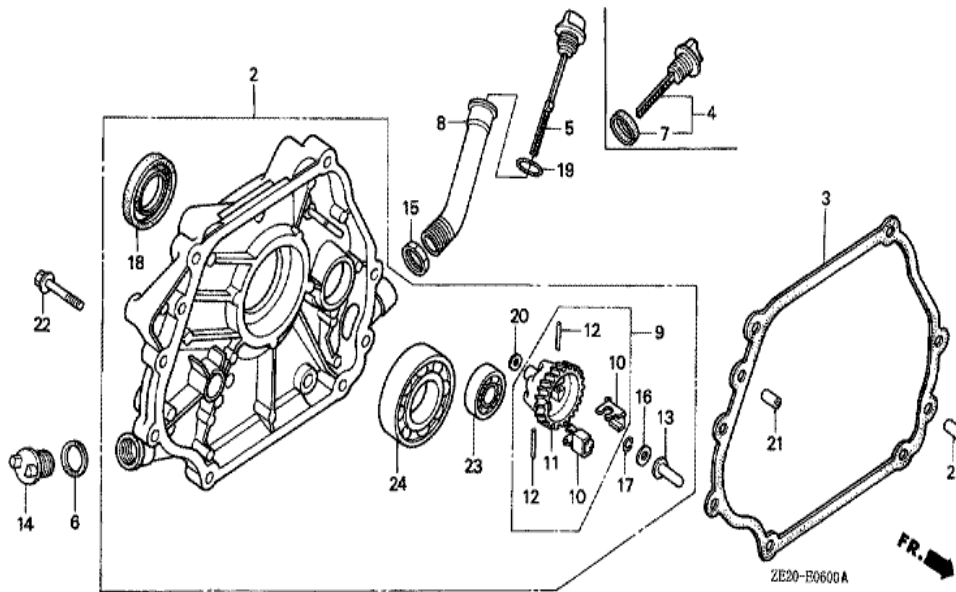


ZE20-E2800

Ref	Partnumber	Description	GX240	Serial Numbers
005	87528-ZE2-810	MARK, CHOKE (ORANGE)	(1)	
006	87530-ZE2-810	SUB EMBLEM (EXTERNAL)	(1)	
007	87532-ZE1-810	MARK, OIL ALERT (EXTERNAL)	(1)	3116814
009	87534-ZE1-841	LABEL, AIR CLEANER CAUTION	1	
010	87535-ZE1-840	MARK, AIR CLEANER SALES POINT	1	

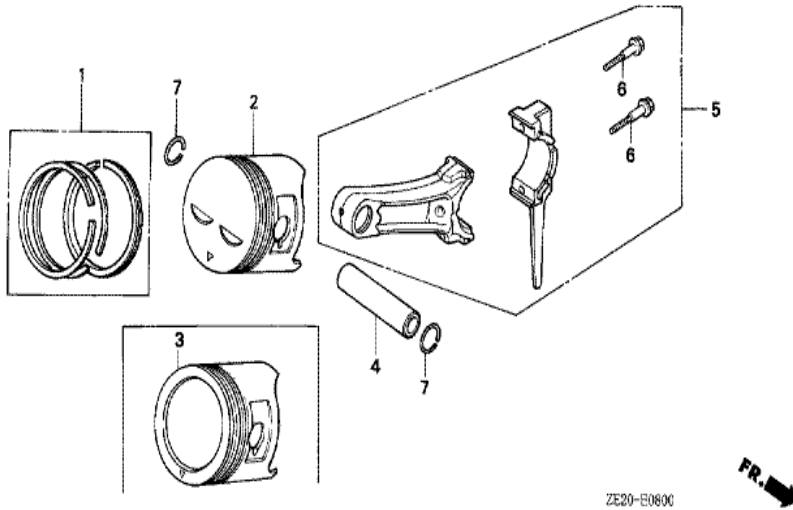


<u>Ref</u>	<u>Partnumber</u>	<u>Description</u>	<u>GX240</u>	<u>Serial Numbers</u>
001	120A0-ZE2-830	BARREL ASSY., CYLINDER (BALANCER+ALERT)	1	1501227
001	120A0-ZE2-831	BARREL ASSY., CYLINDER (BALANCER+ALERT)	(1)	1238478
001	120A0-ZE2-832	BARREL ASSY., CYLINDER (BALANCER+ALERT)	(1)	1487105
001	120A0-ZE2-833	BARREL ASSY., CYLINDER (BALANCER+OIL ALE	(1)	1487106
002	15510-ZE2-013	SWITCH ASSY., OIL LEVEL	1	
003	16541-ZE2-000	SHAFT, GOVERNOR ARM	1	
006	90131-883-000	BOLT, DRAIN PLUG, 12X15	2	
007	90446-KE1-000	WASHER, 8.2X17X0.8	1	
008	90601-ZE2-000	WASHER, DRAIN PLUG, 12MM	2	1518601
008	94109-12000	WASHER, DRAIN PLUG, 12MM	2	1518602
010	91201-890-003	OIL SEAL, 30X46X8	(1)	
012	91353-671-004	O-RING, 14MM (NOK)	(1)	
013	94050-10000	NUT, FLANGE, 10MM	(1)	
<u>Ref</u>	<u>Partnumber</u>	<u>Description</u>	<u>GX240</u>	<u>Serial Numbers</u>
014	94251-08000	PIN, LOCK, 8MM	1	
015	95700-0601200	BOLT, FLANGE, 6X12	(2)	
016	96100-6202000	BEARING, RADIAL BALL, 6202	1	



<u>Ref</u>	<u>Partnumber</u>	<u>Description</u>	<u>GX240</u>	<u>Serial Numbers</u>
002	11400-ZE2-600	COVER ASSY., CRANKCASE	1	1494214
002	11400-ZE2-601	COVER ASSY., CRANKCASE	1	1494215
003	11381-ZE2-000	PACKING, CASE COVER	1	3151974
005	15620-ZE2-Y11	CAP, OIL FILLER	1	
006	15621-896-010	PACKING, OIL FILLER CAP	1	
008	15630-888-670	PIPE COMP., OIL FILLER	1	
009	16510-ZE2-810	GOVERNOR ASSY.	1	1494214
009	16510-ZE2-811	GOVERNOR ASSY.	1	1494215
010	16511-ZE2-000	WEIGHT, GOVERNOR	2	
011	16512-ZE2-810	HOLDER, GOVERNOR WEIGHT	1	1494214
011	16512-ZE2-811	HOLDER, GOVERNOR WEIGHT	1	1494215
012	16513-ZE2-000	PIN, GOVERNOR WEIGHT	2	
013	16531-Z0A-000	SLIDER, GOVERNOR	1	
<u>Ref</u>	<u>Partnumber</u>	<u>Description</u>	<u>GX240</u>	<u>Serial Numbers</u>
014	15620-ZG4-910	CAP, OIL FILLER	1	1528044
014	25611-735-000	CAP, OIL HOLE	1	1528043
015	90011-883-630	NUT, OIL FILLER	1	
016	90473-147-000	WASHER, 6X16	1	
017	90602-896-000	CLIP, GOVERNOR HOLDER	1	1287216
017	90602-ZE1-000	CLIP, GOVERNOR HOLDER	1	1287217
018	91201-890-003	OIL SEAL, 30X46X8	1	
019	91303-800-000	O-RING, 16MM	1	
020	94101-06800	WASHER, PLAIN, 6MM	1	
021	90701-HC4-000	DOWEL PIN, 8X12	2	1342866
021	94301-08120	PIN A, DOWEL, 8X12	2	1240657 1342865
022	95900-0803500	BOLT, FLANGE, 8X35	7	
023	96100-6202000	BEARING, RADIAL BALL, 6202	1	
024	96100-6206000	BEARING, RADIAL BALL, 6206	1	

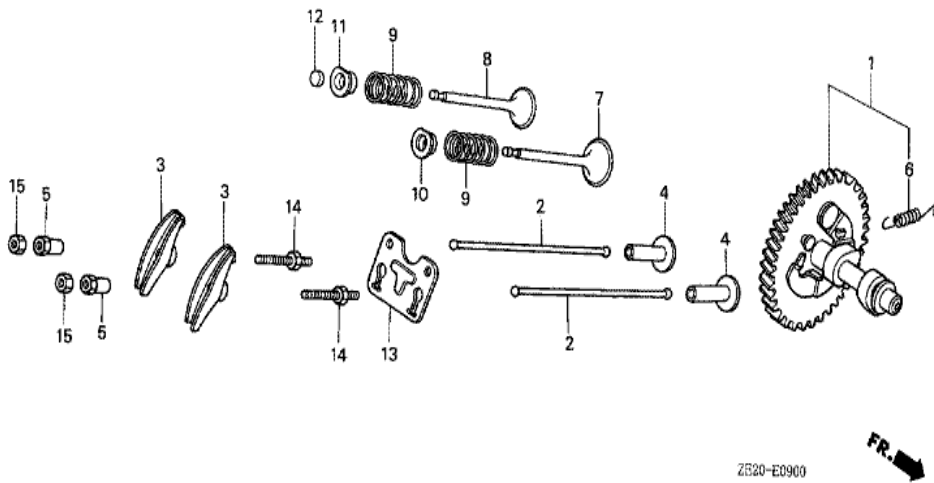




ZE20-E0600



<u>Ref</u>	<u>Partnumber</u>	<u>Description</u>	<u>GX240</u>	<u>Serial Numbers</u>
001	13010-ZE2-003	RING SET, PISTON (STD.) (NIPPON)	1	1281053
001	13010-ZE2-004	RING SET, PISTON (STD.) (TEIKOKU)	1	1281053
001	13010-ZE2-013	RING SET, PISTON (STD.) (NIPPON)	1	1242765
001	13010-ZE2-014	RING SET, PISTON (STD.) (TEIKOKU)	1	1281054
001	13011-ZE2-003	RING SET, PISTON (0.25) (NIPPON)	(1)	1281053
001	13011-ZE2-004	RING SET, PISTON (0.25) (TEIKOKU)	(1)	1281053
001	13011-ZE2-013	RING SET, PISTON (0.25) (NIPPON)	(1)	
001	13011-ZE2-014	RING SET, PISTON (0.25) (TEIKOKU)	(1)	1281054
001	13012-ZE2-003	RING SET, PISTON (0.50) (NIPPON)	(1)	1281053
001	13012-ZE2-004	RING SET, PISTON (0.50) (TEIKOKU)	(1)	1281053
001	13012-ZE2-013	RING SET, PISTON (0.50) (NIPPON)	(1)	1281054
001	13012-ZE2-014	RING SET, PISTON (0.50) (TEIKOKU)	(1)	1281054
001	13013-ZE2-003	RING SET, PISTON (0.75) (NIPPON)	(1)	1242764
<u>Ref</u>	<u>Partnumber</u>	<u>Description</u>	<u>GX240</u>	<u>Serial Numbers</u>
001	13013-ZE2-004	RING SET, PISTON (0.75) (TEIKOKU)	(1)	1281053
001	13013-ZE2-013	RING SET, PISTON (0.75) (NIPPON)	(1)	1281054
001	13013-ZE2-014	RING SET, PISTON (0.75) (TEIKOKU)	(1)	1281054
002	13101-ZE2-000	PISTON (STD.)	1	1263002
002	13101-ZE2-010	PISTON (STD.)	1	1263003
002	13102-ZE2-000	PISTON (0.25)	(1)	1263002
002	13102-ZE2-010	PISTON (0.25)	(1)	1263003
002	13103-ZE2-000	PISTON (0.50)	(1)	1263002
002	13103-ZE2-010	PISTON (0.50)	(1)	1263003
002	13104-ZE2-000	PISTON (0.75)	(1)	1263002
002	13104-ZE2-010	PISTON (0.75)	(1)	1263003
004	13111-ZE2-000	PIN, PISTON	1	
005	13200-ZE2-000	ROD ASSY., CONNECTING (STD.)	1	
005	13200-ZE2-305	ROD ASSY., CONNECTING (0.25 UNDER SIZE)	(1)	
006	90001-ZE8-000	BOLT, CONNECTING ROD	2	
007	90551-ZE1-000	CLIP, PISTON PIN, 18MM	2	

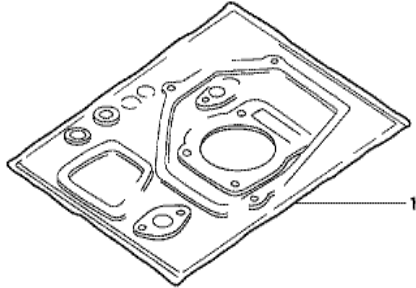


ZE20-E0900



<u>Ref</u>	<u>Partnumber</u>	<u>Description</u>	<u>GX240</u>	<u>Serial Numbers</u>
001	14100-ZE2-010	CAMSHAFT ASSY.	1	1494214
001	14100-ZE2-020	CAMSHAFT ASSY.	1	1494215
002	14410-ZE2-013	ROD, PUSH	2	
003	14431-ZE2-000	ARM, VALVE ROCKER	2	
004	14441-ZE2-000	LIFTER, VALVE	2	
005	14451-ZE1-003	PIVOT, ROCKER ARM	2	
006	14568-ZE1-000	SPRING, WEIGHT RETURN	1	
007	14711-ZE2-000	VALVE, IN.	1	
008	14721-ZE2-000	VALVE, EX.	(1)	
009	14751-ZE2-003	SPRING, VALVE	2	
010	14771-ZE2-000	RETAINER, IN. VALVE SPRING	1	
011	14773-ZE2-000	RETAINER, EX. VALVE SPRING	1	
012	14781-ZE2-000	ROTATOR, VALVE	1	
<u>Ref</u>	<u>Partnumber</u>	<u>Description</u>	<u>GX240</u>	<u>Serial Numbers</u>
013	14791-ZE2-000	PLATE, PUSH ROD GUIDE	1	1494214
013	14791-ZE2-010	GUIDE, PUSH ROD	1	1494215
014	90012-ZE0-010	BOLT, PIVOT, 8MM	2	
015	90206-ZE1-000	NUT, PIVOT ADJUSTING	2	





HENG-X0003

<u>Ref</u>	<u>Partnumber</u>	<u>Description</u>	<u>GX240</u>	<u>Serial Numbers</u>
001	061A1-ZE2-030	GASKET KIT	1	