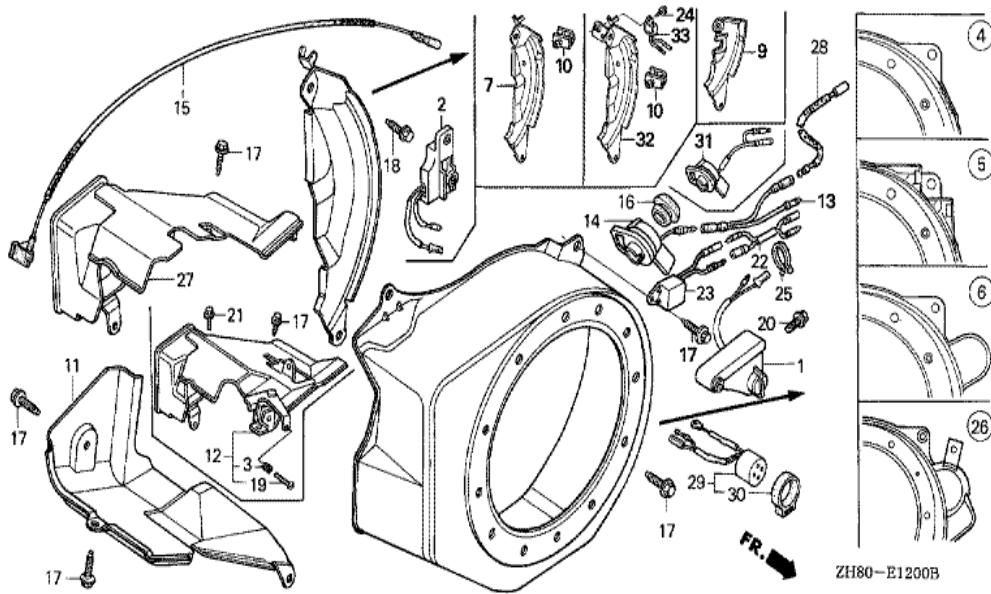


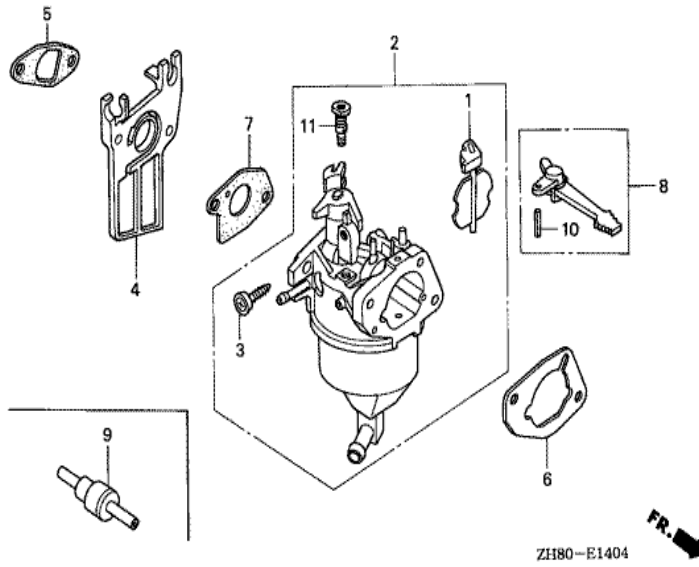


Ref	Partnumber	Description	GX160K1	Serial Numbers
002	28410-ZH8-003ZA	CASE COMP., RECOIL STARTER *R8 *	1	8367072
003	28420-ZH8-013	REEL, RECOIL STARTER (NATURAL)	(1)	
004	28422-ZH8-013	RATCHET, STARTER	(2)	
005	28433-ZH8-003	GUIDE, RATCHET	(1)	
006	28441-ZH8-003	SPRING, FRICTION	(1)	
007	28442-ZH8-003	SPRING, RECOIL STARTER	(1)	
008	28443-ZH8-003	SPRING, RETURN	(2)	
009	28461-ZH8-003	GRIP, STARTER	(1)	
010	28462-ZH8-003	ROPE, RECOIL STARTER	(1)	
012	90003-ZH8-003	SCREW, SETTING	(1)	
013	90008-ZE2-003	BOLT, FLANGE, 6X10	(3)	

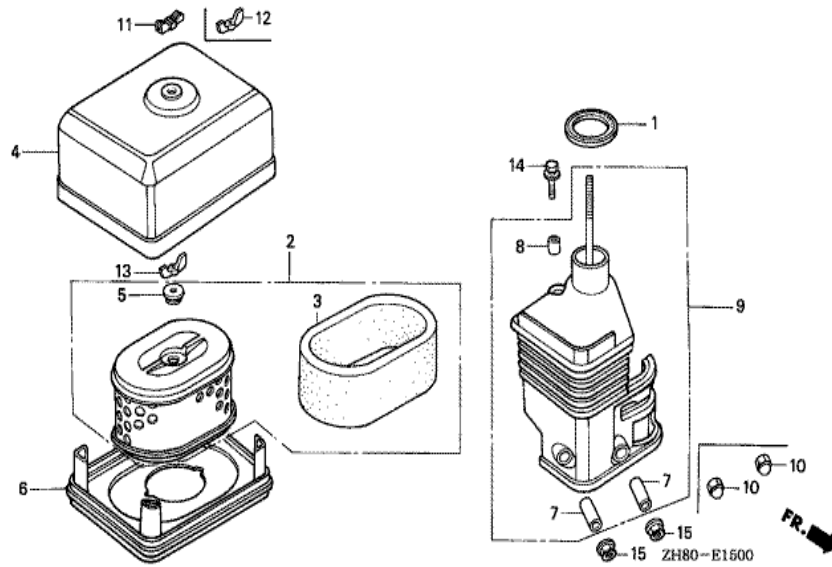


ZH80-E1200B

Ref	Partnumber	Description	GX160K1	Serial Numbers
004	19610-ZE1-000ZA	COVER COMP., FAN *R8 *	1	8369925
007	19612-ZH8-810	PLATE, SIDE (OIL ALERT)	1	4795905
007	19612-ZH8-811	PLATE, SIDE (OIL ALERT)	1	4795906 5066322
010	19613-ZE1-000	CLAMPER, CORD	1	4368640
010	90601-ZH7-013	CLIP, HARNESS	1	4368641
011	19630-ZH8-000	SHROUD COMP.	1	
013	32197-ZH8-003	SUB HARNESS	1	2468253
014	36100-ZH7-W41	SWITCH ASSY., ENGINE STOP	1	4368641
014	36100-ZH8-W41	SWITCH ASSY., ENGINE STOP	1	4368640
015	36101-ZE1-010	CORD, STOP SWITCH (370MM)	(1)	
017	90013-883-000	BOLT, FLANGE, 6X12 (CT200)	4	
018	90022-888-010	BOLT, FLANGE, 6X20 (CT200)	(1)	
024	95701-0600800	BOLT, FLANGE, 6X8	1	5372719
Ref	Partnumber	Description	GX160K1	Serial Numbers
032	19611-ZH8-810	PLATE COMP., SIDE (OIL ALERT)	1	5372719
033	34150-ZH7-003	ALERT UNIT, OIL	1	5372719



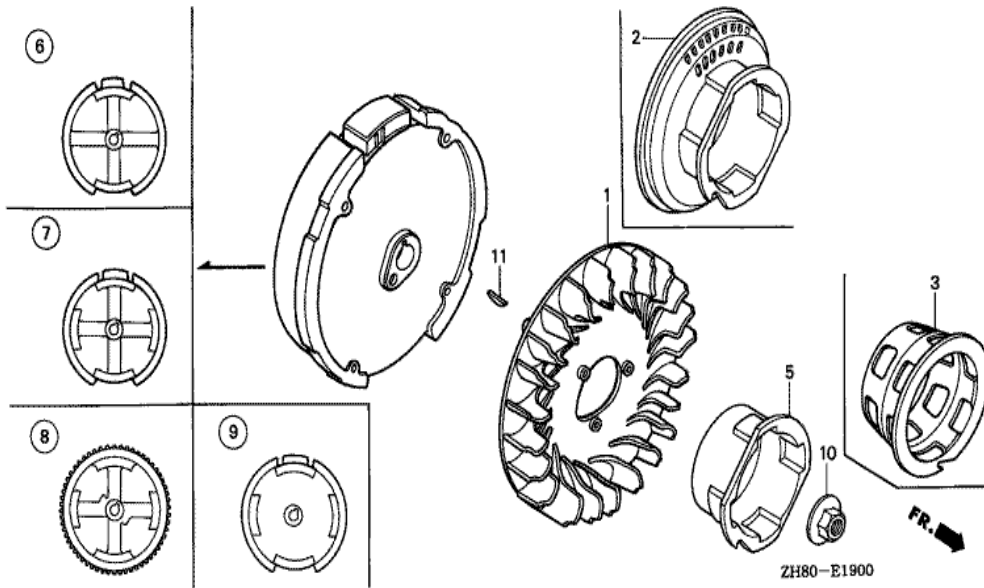
<u>Ref</u>	<u>Partnumber</u>	<u>Description</u>	<u>GX160K1</u>	<u>Serial Numbers</u>
001	16044-ZH8-831	CHOKE SET	1	
002	16100-ZH8-831	CARBURETOR ASSY. (BELOA A)	1	
003	16124-ZE0-005	SCREW, THROTTLE STOP	1	
004	16211-ZE1-000	INSULATOR, CARBURETOR	1	
005	16212-ZH8-800	PACKING, INSULATOR	1	
006	16220-ZE1-020	SPACER COMP., CARBURETOR	1	
007	16221-ZH8-801	PACKING, CARBURETOR	1	
008	16610-ZE1-000	LEVER COMP., CHOKE (STD.)	1	
009	36135-PH3-004	VALVE, DASHPOT CHECK	(1)	
010	94305-20122	PIN, SPRING, 2X12	1	
011	99204-ZE00350	JET SET, PILOT, #35	1	



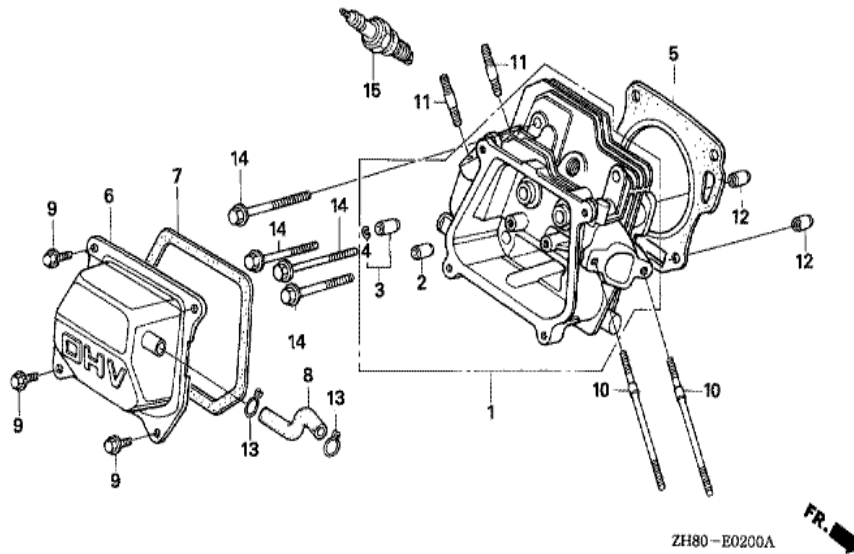
Ref	Partnumber	Description	GX160K1	Serial Numbers
001	16271-ZE1-000	PACKING, ELBOW	(1)	
002	17210-ZE1-822	ELEMENT, AIR CLEANER (DUAL)	(1)	
003	17218-ZE1-821	FILTER, OUTER	(1)	
004	17230-ZE1-820	COVER, AIR CLEANER (DUAL)	(1)	
005	17232-891-000	GROMMET, AIR CLEANER	(1)	
007	17238-ZE7-010	COLLAR, AIR CLEANER	(2)	
008	17239-ZE1-000	COLLAR B, AIR CLEANER	(1)	
009	17410-ZE1-020	ELBOW COMP., AIR CLEANER	(1)	
012	90325-044-000	NUT, TOOL BOX SETTING	1	2836834
013	90325-044-000	NUT, TOOL BOX SETTING	(1)	
014	95701-0602000	BOLT, FLANGE, 6X20	1	3385102
015	94050-06000	NUT, FLANGE, 6MM	2	2708122



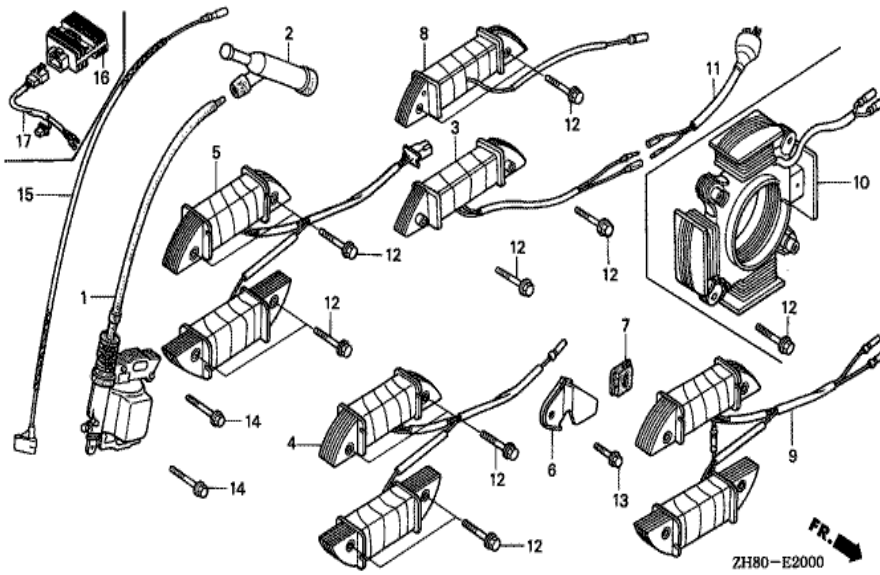
Ref	Partnumber	Description	GX160K1	Serial Numbers
001	17233-896-701	COLLAR, AIR CLEANER CASE	(2)	
002	18310-ZF1-000	MUFFLER COMP. (STD.)	(1)	
002	18310-ZH8-810	MUFFLER COMP. (ARRESTER)	(1)	
003	18320-ZF1-H01	PROTECTOR, MUFFLER (STD.) (BLACK)	1	3244960
006	18355-ZE1-000	ARRESTER, SPARK	(1)	
007	18381-ZH8-800	GASKET, MUFFLER	(1)	
009	18433-ZH8-W40	COVER COMP., MUFFLER	(1)	
010	18434-ZH8-W40	COVER COMP., RR. MUFFLER	(1)	
011	18436-ZH8-W40	BASE COMP., MUFFLER COVER	(1)	
012	18466-ZH8-W40	SPACER, MUFFLER COVER	(3)	
014	90050-ZE1-000	SCREW, TAPPING, 5X8	(4)	
015	90050-ZE1-000	SCREW, TAPPING, 5X8	(1)	
016	90050-ZH8-W40	SCREW, TAPPING, 5X25	(2)	
Ref	Partnumber	Description	GX160K1	Serial Numbers
020	90302-KF9-900	NUT, HEX., 5MM	(3)	
021	93891-0602007	SCREW-WASHER, 6X20	(3)	
022	94001-080000S	NUT, HEX., 8MM	2	
023	94103-05700	WASHER, PLAIN, 5MM	(3)	
024	90055-ZE1-000	SCREW, TAPPING, 4X6	(1)	



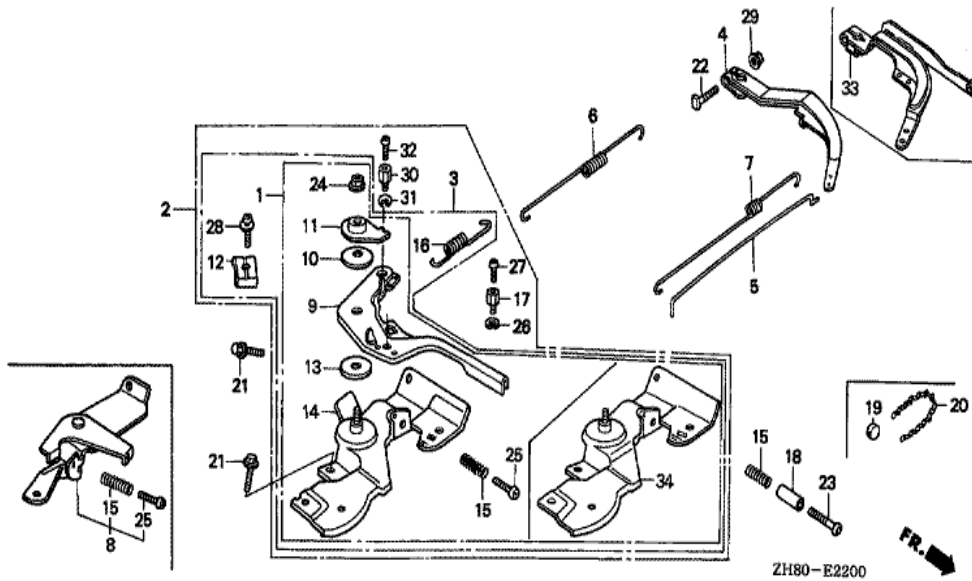
Ref	Partnumber	Description	GX160K1	Serial Numbers
001	19511-ZE1-000	FAN, COOLING	1	
005	28451-ZH8-003	PULLEY, STARTER	(1)	
006	31100-ZE1-010	FLYWHEEL COMP.	(1)	
010	90201-878-003	NUT, SPECIAL, 14MM	1	
011	13331-357-000	KEY, SPECIAL WOODRUFF, 25X18	1	



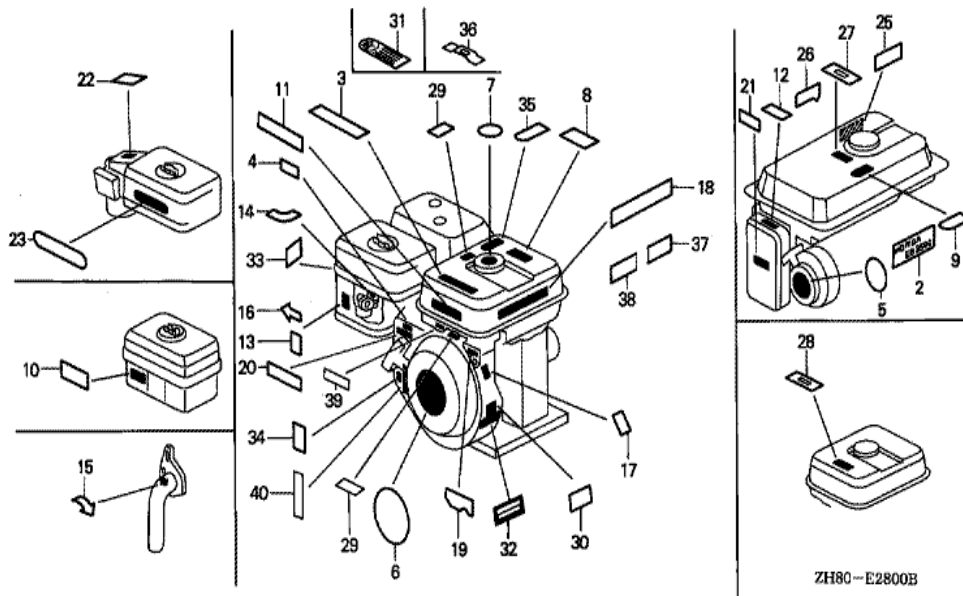
Ref	Partnumber	Description	GX160K1	Serial Numbers
001	12210-ZH8-020	HEAD COMP., CYLINDER	1	
002	12204-ZE1-306	GUIDE, IN. VALVE (OS)	(1)	
003	12205-ZE1-315	GUIDE, EX. VALVE (OS)	(1)	
004	12216-ZE5-300	CLIP, VALVE GUIDE	1	
005	12251-ZF1-800	GASKET, CYLINDER HEAD	(1)	
006	12310-ZE1-010	COVER COMP., HEAD	1	7638542
007	12391-ZE1-000	PACKING, HEAD COVER	1	
008	15721-ZH8-000	TUBE, BREATHER	(1)	
009	90013-883-000	BOLT, FLANGE, 6X12 (CT200)	4	2708337
010	90043-ZE1-020	BOLT, STUD, 6X112	2	
011	90047-ZE1-000	BOLT, STUD, 8X32	2	
012	94301-10160	DOWEL PIN, 10X16	2	
014	95723-0806000	BOLT, FLANGE, 8X60	4	
Ref	Partnumber	Description	GX160K1	Serial Numbers
015	98079-55846	PLUG, SPARK (BPR5ES) (NGK)	(1)	
015	98079-55855	PLUG, SPARK (W16EPR-U) (DENSO)	(1)	
015	98079-56846	PLUG, SPARK (BPR6ES) (NGK)	1	6276050
015	98079-56855	PLUG, SPARK (W20EPR-U) (DENSO)	1	6276050



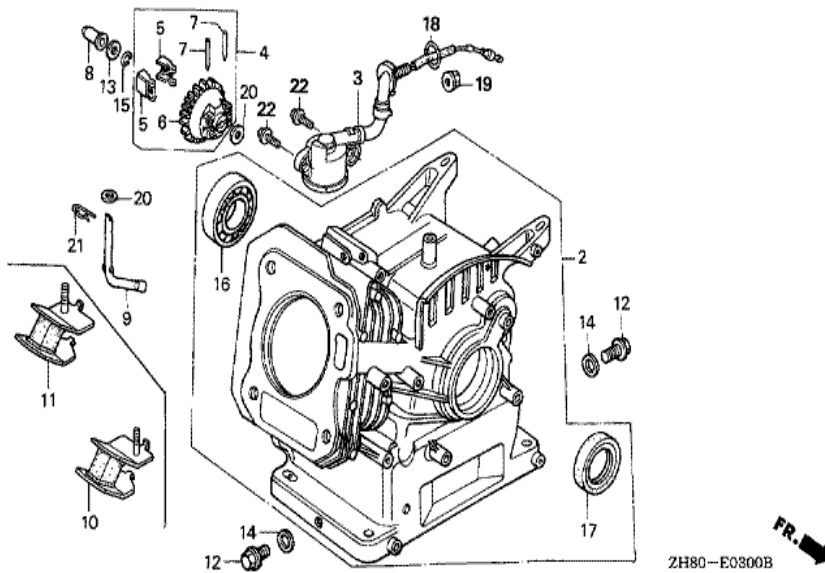
Ref	Partnumber	Description	GX160K1	Serial Numbers
001	30500-ZE1-033	COIL ASSY., IGNITION	1	8074561
002	30700-ZE1-013	CAP ASSY., NOISE SUPPRESSOR (NICHIIWA Y-E	1	6276050
014	90121-952-000	BOLT, FLANGE, 6X25 (CT200)	2	



Ref	Partnumber	Description	GX160K1	Serial Numbers
001	16500-ZH8-010	CONTROL ASSY. (STD.)	1	2000098
001	16500-ZH8-020	CONTROL ASSY.	1	5551818 6196199
001	16500-ZH8-030	CONTROL ASSY.	1	6196200
004	16551-ZE0-010	ARM, GOVERNOR	1	4913229
005	16555-ZE1-000	ROD, GOVERNOR	1	
006	16561-ZE1-020	SPRING, GOVERNOR	1	
007	16562-ZE1-020	SPRING, THROTTLE RETURN	1	
009	16571-ZH8-010	LEVER, CONTROL	1	5551818 6331304
009	16571-ZH8-020	LEVER, CONTROL	1	6331305
010	16574-ZE1-000	SPRING, LEVER	(1)	
011	16575-ZH8-000	WASHER, CONTROL LEVER	(1)	
013	16578-ZE1-000	SPACER, CONTROL LEVER	(1)	
015	16584-883-300	SPRING, CONTROL ADJUSTING	(1)	
Ref	Partnumber	Description	GX160K1	Serial Numbers
018	16599-ZG1-M10	COLLAR, STOPPER	1	
021	90013-883-000	BOLT, FLANGE, 6X12 (CT200)	2	
022	90015-ZE5-010	BOLT, GOVERNOR ARM	1	
023	90016-ZG9-N30	SCREW, RECESSED, 5X25	1	
024	90114-SAO-000	NUT, SELF-LOCK, 6MM	(1)	
025	93500-050250A	SCREW, PAN, 5X25	(1)	
029	94050-06000	NUT, FLANGE, 6MM	1	
034	16580-ZH8-020	BASE COMP., CONTROL	1	5551818 6331304
034	16580-ZH8-030	BASE COMP., CONTROL	1	6196200

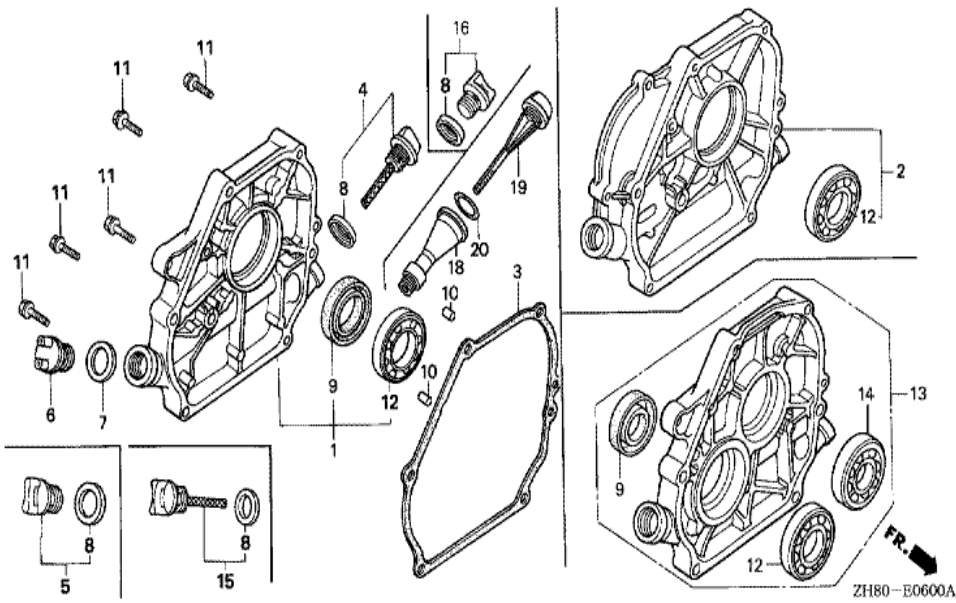


Ref	Partnumber	Description	GX160K1	Serial Numbers
004	87124-ZV3-010	MARK, EMERGENCY SWITCH INDICATION	1	
006	87521-ZH8-010	EMBLEM (5.5)	1	2468253 7438467
008	87522-ZH8-W40	MARK, CAUTION (PICTOGRAPH)	1	8953905
016	87528-883-661	MARK, CHOKE	1	
020	87532-ZH8-W40	MARK, THROTTLE INDICATION	1	

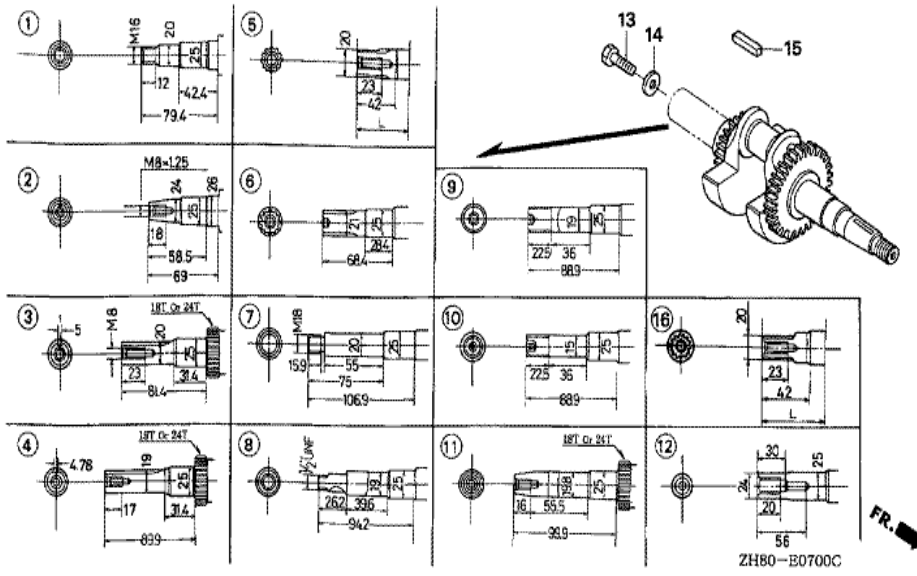


ZH80-E0300B

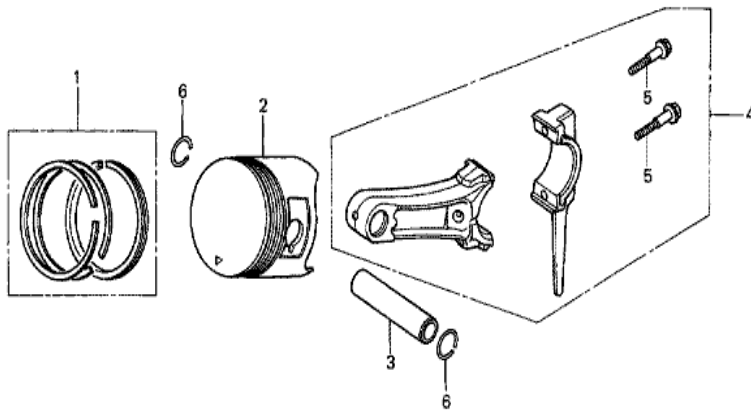
Ref	Partnumber	Description	GX160K1	Serial Numbers
002	12000-ZH8-406	BARREL ASSY., CYLINDER (OIL ALERT)	1	4067885
003	15510-ZE1-033	SWITCH ASSY., OIL LEVEL	(1)	
004	16510-ZE1-000	GOVERNOR ASSY.	1	4913229
005	16511-ZE1-000	WEIGHT, GOVERNOR	2	4913229
006	16512-ZE1-000	HOLDER, GOVERNOR WEIGHT	1	4913229
007	16513-ZE1-000	PIN, GOVERNOR WEIGHT	2	4913229
008	16531-ZE1-000	SLIDER, GOVERNOR	1	
009	16541-ZE1-000	SHAFT, GOVERNOR ARM	1	
012	90131-ZE1-000	BOLT, DRAIN PLUG	2	
013	90451-ZE1-000	WASHER, THRUST, 6MM	1	
014	90601-ZE1-000	WASHER, DRAIN PLUG, 10.2MM	2	
015	90602-ZE1-000	CLIP, GOVERNOR HOLDER	1	
016	91001-ZF1-003	BEARING, RADIAL BALL (6205TMB) (NTN)	1	
Ref	Partnumber	Description	GX160K1	Serial Numbers
016	91001-ZF1-004	BEARING, RADIAL BALL (6205SH) (KOYO)	1	
017	91202-883-005	OIL SEAL, 25X41X6	1	8565637
018	91353-671-004	O-RING, 14MM (NOK)	(1)	
019	94050-10000	NUT, FLANGE, 10MM	(1)	
020	94101-06800	WASHER, PLAIN, 6MM	2	
021	94251-08000	PIN, LOCK, 8MM	1	
022	95701-0601200	BOLT, FLANGE, 6X12	(2)	



Ref	Partnumber	Description	GX160K1	Serial Numbers
001	11300-ZE1-641	COVER ASSY., CRANKCASE	1	8566783
003	11381-ZH8-801	PACKING, CASE COVER (NON ASBESTOS)	1	3413170
004	15600-ZE1-003	CAP ASSY., OIL FILLER (GRAY)	1	2966710
005	15600-ZG4-003	CAP ASSY., OIL FILLER	1	2966710
008	15625-ZE1-003	PACKING, OIL FILLER CAP	2	2966710
009	91202-883-005	OIL SEAL, 25X41X6	1	8571217
010	94301-08140	DOWEL PIN, 8X14	2	
011	95701-0803200	BOLT, FLANGE, 8X32	6	
012	96100-6205000	BEARING, RADIAL BALL, 6205	1	



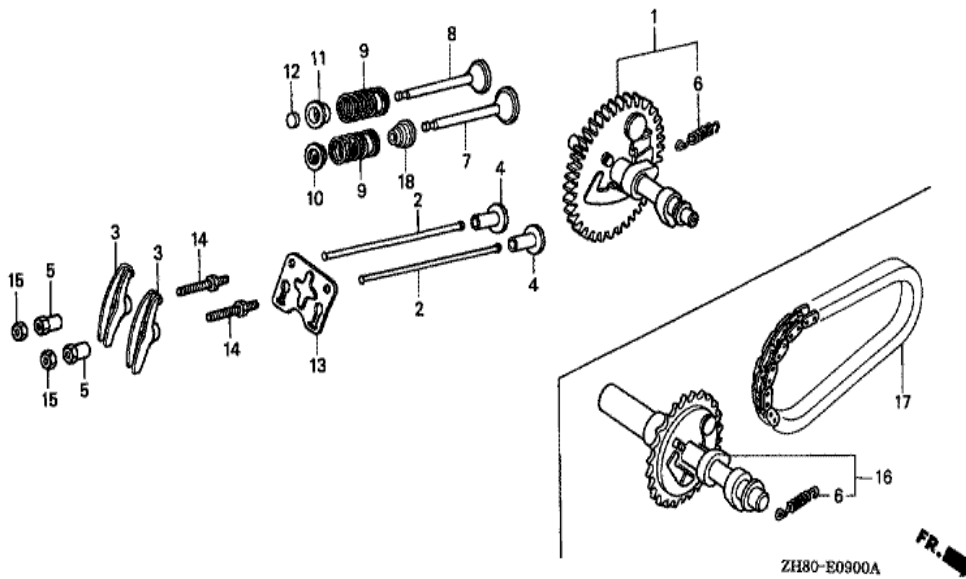
Ref	Partnumber	Description	GX160K1	Serial Numbers
011	13310-ZE1-670	CRANKSHAFT COMP. (24T)	1	



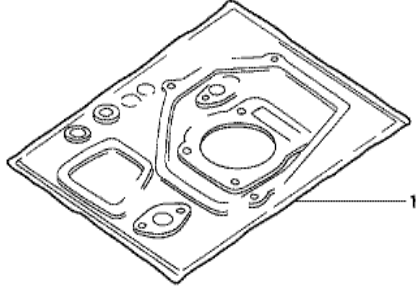
ZH80-E0800



Ref	Partnumber	Description	GX160K1	Serial Numbers
001	13010-ZF1-023	RING SET, PISTON (STD.) (TEIKOKU)	1	5495899
001	13010-ZF1-024	RING SET, PISTON (STD.) (NIPPON)	1	5495899
001	13010-ZH8-941	RING SET, PISTON (STD.) (TEIKOKU)	1	5495900 7603338
001	13010-ZH8-942	RING SET, PISTON (STD.) (NIPPON)	1	5495900 7603338
001	13011-ZF1-023	RING SET, PISTON (0.25) (TEIKOKU)	(1)	5495899
001	13011-ZF1-024	RING SET, PISTON (0.25) (NIPPON)	(1)	5495899
001	13011-ZH8-941	RING SET, PISTON (0.25) (TEIKOKU)	(1)	5495900 7603338
001	13011-ZH8-942	RING SET, PISTON (0.25) (NIPPON)	(1)	5495900 7603338
001	13012-ZF1-023	RING SET, PISTON (0.50) (TEIKOKU)	(1)	5495899
001	13012-ZF1-024	RING SET, PISTON (0.50) (NIPPON)	(1)	5495899
001	13012-ZH8-941	RING SET, PISTON (0.50) (TEIKOKU)	(1)	5495900 7603338
001	13012-ZH8-942	RING SET, PISTON (0.50) (NIPPON)	(1)	5495900 7603338
001	13013-ZF1-023	RING SET, PISTON (0.75) (TEIKOKU)	(1)	5495899
Ref	Partnumber	Description	GX160K1	Serial Numbers
001	13013-ZF1-024	RING SET, PISTON (0.75) (NIPPON)	(1)	5495899
001	13013-ZH8-941	RING SET, PISTON (0.75) (TEIKOKU)	(1)	5495900 7603338
001	13013-ZH8-942	RING SET, PISTON (0.75) (NIPPON)	(1)	5495900 7603338
002	13101-ZH8-000	PISTON (STD.)	1	7603338
002	13102-ZH8-000	PISTON (0.25)	(1)	7603338
002	13103-ZH8-000	PISTON (0.50)	(1)	7603338
002	13104-ZH8-000	PISTON (0.75)	(1)	7603338
003	13111-ZE1-000	PIN, PISTON	1	
004	13200-ZE1-010	ROD ASSY., CONNECTING (STD.)	1	
004	132A0-ZE1-000	ROD ASSY., CONNECTING (0.25 UNDER SIZE)	(1)	
005	90001-ZE1-000	BOLT, CONNECTING ROD	2	
006	90551-ZE1-000	CLIP, PISTON PIN, 18MM	2	



<u>Ref</u>	<u>Partnumber</u>	<u>Description</u>	<u>GX160K1</u>	<u>Serial Numbers</u>
001	14100-ZE1-812	CAMSHAFT ASSY.	1	4913229
002	14410-ZE1-010	ROD, PUSH	2	
003	14431-ZE1-000	ARM, VALVE ROCKER	2	
004	14441-ZE1-010	LIFTER, VALVE	2	
005	14451-ZE1-013	PIVOT, ROCKER ARM	2	
006	14568-ZE1-000	SPRING, WEIGHT RETURN	1	
007	14711-ZF1-000	VALVE, IN.	1	
008	14721-ZE7-000	VALVE, EX.	1	
009	14751-ZF1-000	SPRING, VALVE	2	
010	14771-ZE1-000	RETAINER, IN. VALVE SPRING	1	
011	14771-ZE1-000	RETAINER, IN. VALVE SPRING	1	
013	14791-ZE1-010	PLATE, PUSH ROD GUIDE	1	
014	90012-ZE0-010	BOLT, PIVOT, 8MM	2	
<u>Ref</u>	<u>Partnumber</u>	<u>Description</u>	<u>GX160K1</u>	<u>Serial Numbers</u>
015	90206-ZE1-000	NUT, PIVOT ADJUSTING	2	



HENG-X0003

<u>Ref</u>	<u>Partnumber</u>	<u>Description</u>	<u>GX160K1</u>	<u>Serial Numbers</u>
001	061A1-ZH8-040	GASKET KIT	1	3427859