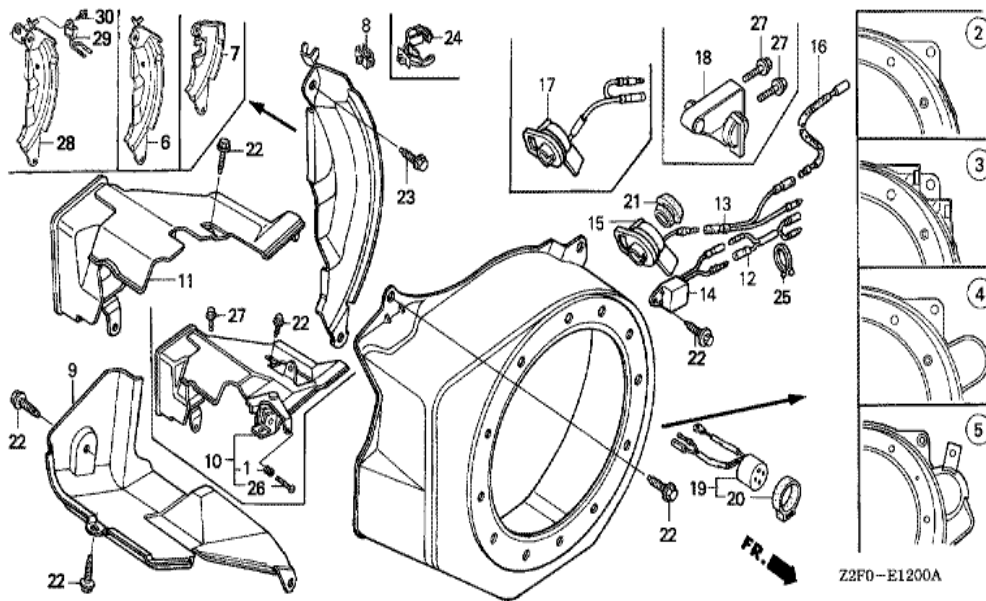
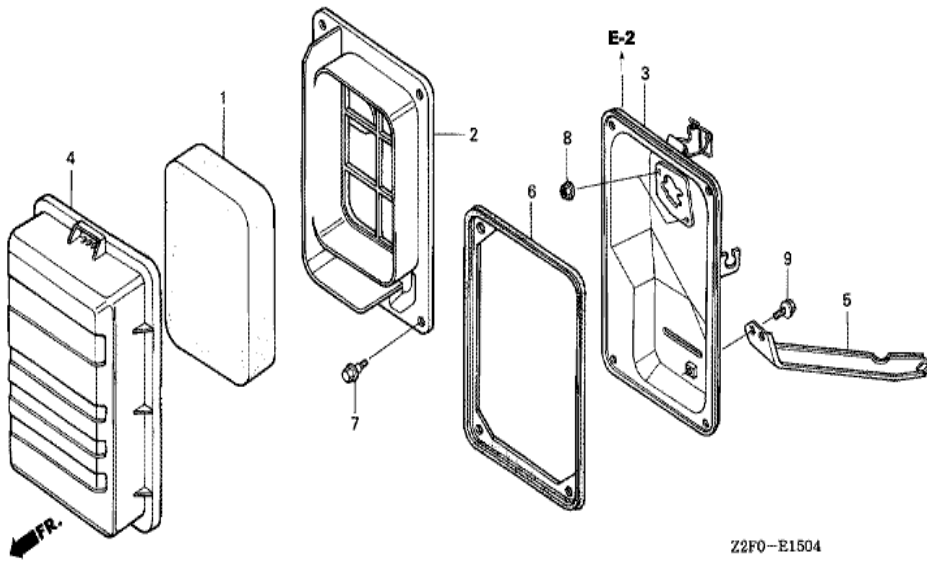


Ref	Partnumber	Description	GX160K1	Serial Numbers
001	28400-ZH8-023YA	STARTER ASSY., RECOIL *R280 *	1	1625955
001	28400-ZH8-023ZB	STARTER ASSY., RECOIL *NH1 *	1	1625955
001	28400-ZH8-033YA	STARTER ASSY., RECOIL *R280*	1	1625956
001	28400-ZH8-033ZB	STARTER ASSY., RECOIL *NH1*	1	1625956
004	28410-ZH8-003YA	CASE COMP., RECOIL STARTER *R280 *	1	
004	28410-ZH8-003ZB	CASE COMP., RECOIL STARTER *NH1 *	1	
005	28421-ZH8-801	REEL, RECOIL STARTER (BLACK)	1	
006	28422-ZH8-801	RATCHET, STARTER	2	
007	28431-ZH8-801	PLATE, FRICTION	1	
008	28433-ZH8-801	GUIDE, RATCHET	1	
009	28441-ZH8-801	SPRING, FRICTION	1	
010	28442-ZH8-003	SPRING, RECOIL STARTER	1	
011	28443-ZH8-801	SPRING, RETURN	2	
Ref	Partnumber	Description	GX160K1	Serial Numbers
012	28461-ZH8-003	GRIP, STARTER	1	1625955
012	28461-ZH8-013	KNOB, RECOIL SRARTER	1	1625956
013	28462-ZH8-003	ROPE, RECOIL STARTER	1	
015	90003-ZH8-801	SCREW, SETTING	1	
016	90008-ZE2-003	BOLT, FLANGE, 6X10	3	

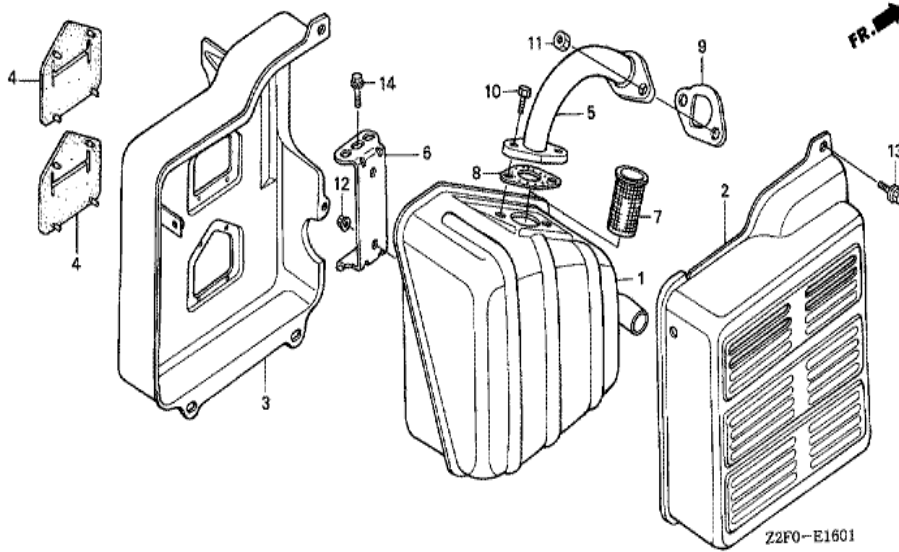


Ref	Partnumber	Description	GX160K1	Serial Numbers
001	16584-883-300	SPRING, CONTROL ADJUSTING	1	
002	19610-ZE1-010ZC	COVER COMP., FAN *NH1 *	1	
002	19610-ZE1-010ZP	COVER COMP., FAN *R280 *	1	
008	19613-ZE1-020	CLAMP, CORD	1	
009	19630-ZB2-000	SHROUD COMP., LOWER	1	
010	19640-ZB2-010	SHROUD ASSY., UPPER	1	
013	32197-ZH8-003	SUB HARNESS	1	
021	81329-567-020	GROMMET, DRAIN HOLE	1	
022	90013-883-000	BOLT, FLANGE, 6X12 (CT200)	8	
023	90022-888-010	BOLT, FLANGE, 6X20 (CT200)	1	
026	93500-050350A	SCREW, PAN, 5X35	1	
027	95701-0600800	BOLT, FLANGE, 6X8	1	
028	19611-ZH8-810	PLATE COMP., SIDE (OIL ALERT)	1	
Ref	Partnumber	Description	GX160K1	Serial Numbers
029	34150-ZH7-013	ALERT UNIT, OIL	1	
030	95701-0600800	BOLT, FLANGE, 6X8	1	

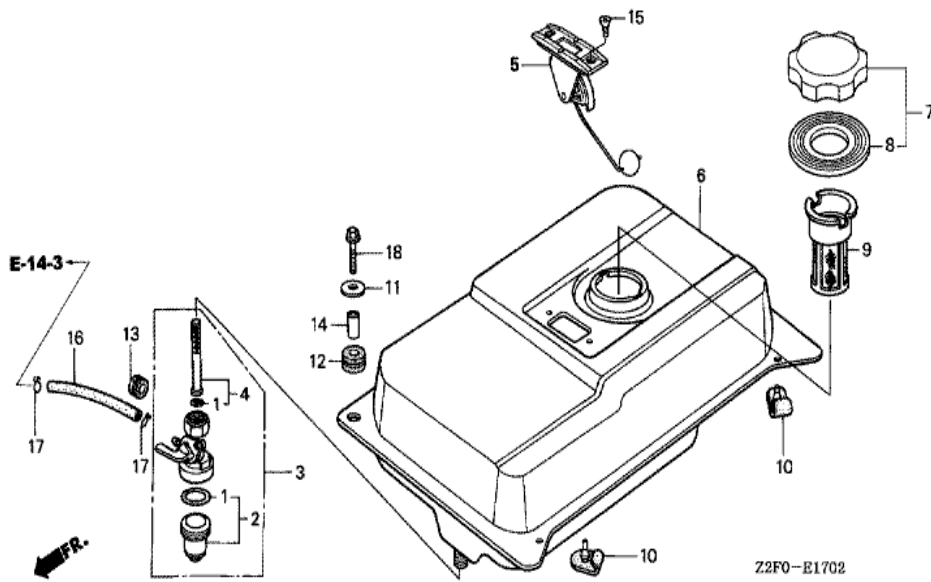


Z2F0-E1504

Ref	Partnumber	Description	GX160K1	Serial Numbers
001	17211-ZB2-000	ELEMENT, AIR CLEANER	1	
002	17212-ZB2-000	SEPARATOR, AIR CLEANER	1	
003	17220-ZB2-000	CASE COMP., AIR CLEANER	1	
004	17231-ZB2-000	COVER, AIR CLEANER	1	
005	17239-ZB2-000	STAY, AIR CLEANER	1	
006	17252-ZB2-000	SEAL, AIR CLEANER	1	
007	90115-459-770	BOLT, WINKER SETTING	4	
008	94050-06080	NUT, FLANGE, 6MM	2	
009	95701-0601000	BOLT, FLANGE, 6X10	1	

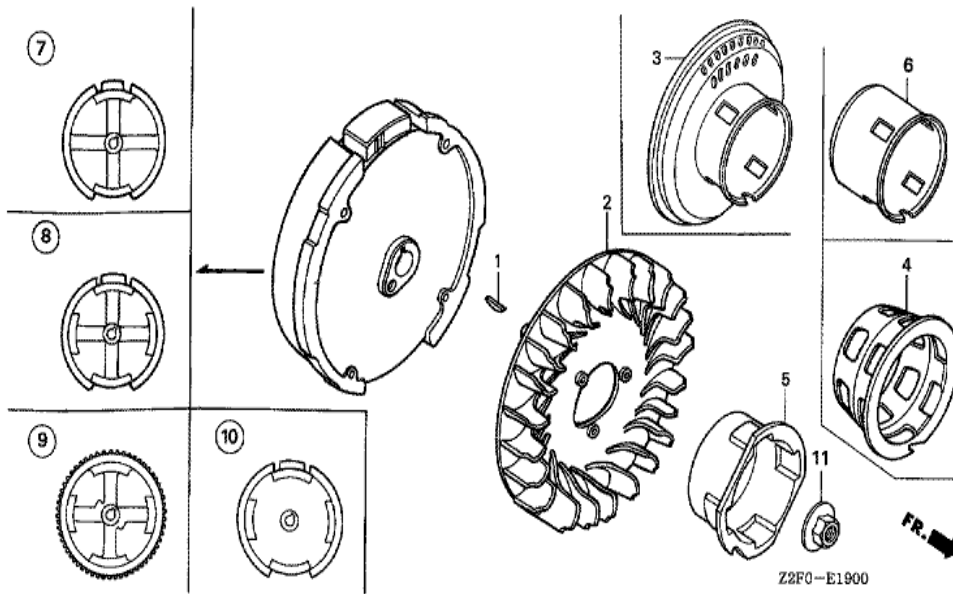


Ref	Partnumber	Description	GX160K1	Serial Numbers
001	18310-ZB3-C00	MUFFLER COMP.	1	
002	18320-ZB2-000	PROTECTOR, MUFFLER OUTER	1	
003	18325-ZB2-000	PROTECTOR, MUFFLER INNER	1	
004	18329-ZB2-000	SEAL, MUFFLER PROTECTOR	2	
005	18330-ZB2-000	PIPE COMP., EX.	1	
006	18338-ZB3-E30	STAY, MUFFLER	1	
007	18355-898-630	ARRESTER, SPARK	1	
008	18381-ZE1-800	GASKET, MUFFLER	1	
009	18381-ZH8-800	GASKET, MUFFLER	1	
010	92101-080200A	BOLT, HEX., 8X20	2	
011	94001-080000S	NUT, HEX., 8MM	2	
012	94050-06000	NUT, FLANGE, 6MM	2	
013	95701-0601200	BOLT, FLANGE, 6X12	5	



Z2F0-E1702

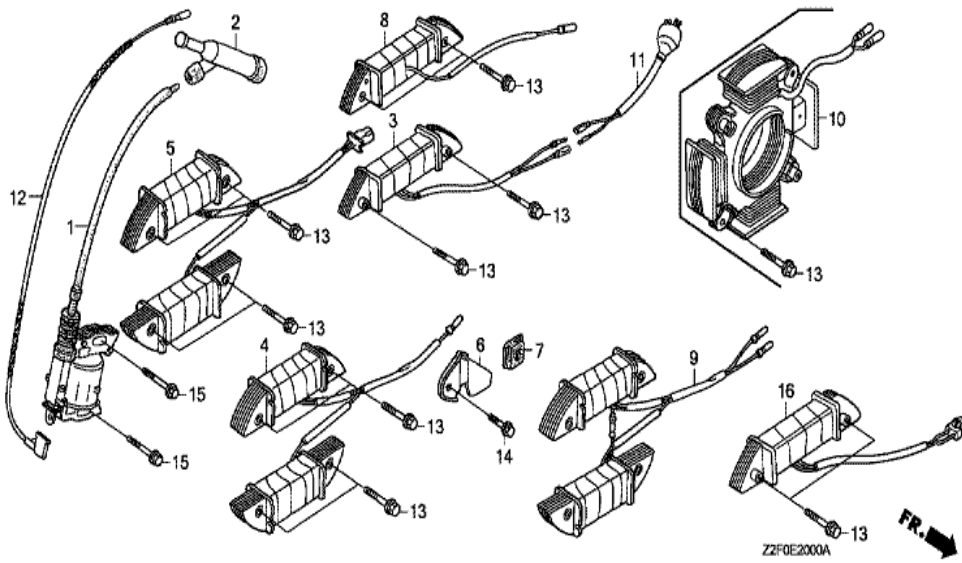
Ref	Partnumber	Description	GX160K1	Serial Numbers
001	16080-898-631	PACKING SET, COCK	1	
002	16081-471-831	CUP, FUEL STRAINER	1	
003	16950-898-633	COCK ASSY., FUEL	1	
004	16952-GG2-731	SCREEN SET	1	
010	50319-ZB2-000	RUBBER, TANK MOUNTING	2	
013	90854-ZB3-000	RUBBER, FUEL (9X15X20)	1	
016	95001-4521040	TUBE, FUEL, 4.5X210 (95001-45001-60M)	1	
017	95002-02080	CLIP, TUBE (B8)	2	



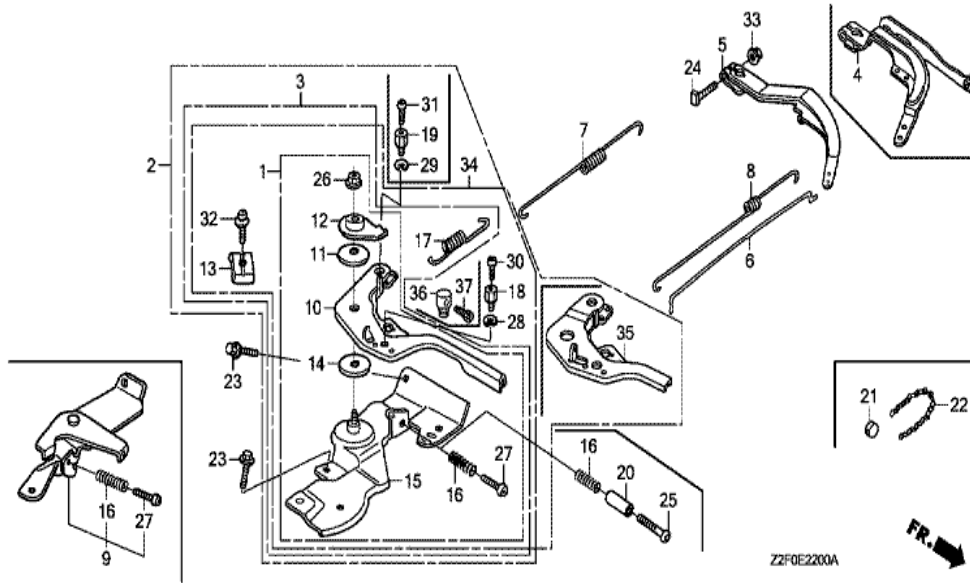
Ref	Partnumber	Description	GX160K1	Serial Numbers
001	13331-357-000	KEY, SPECIAL WOODRUFF, 25X18	1	
002	19511-ZE1-000	FAN, COOLING	1	
006	28451-ZH8-801	PULLEY, STARTER	1	
007	31100-ZE1-010	FLYWHEEL COMP.	1	
011	90201-878-003	NUT, SPECIAL, 14MM	1	



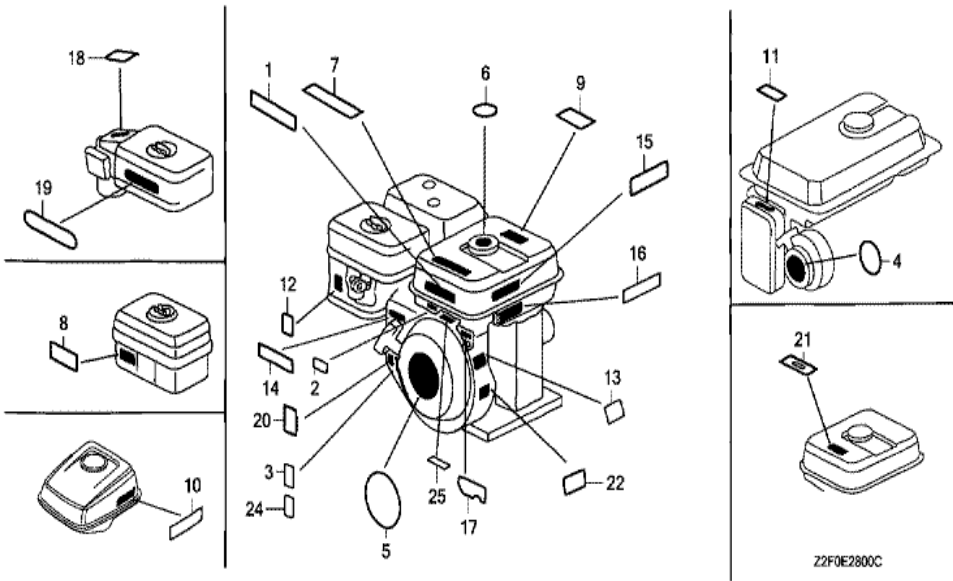
Ref	Partnumber	Description	GX160K1	Serial Numbers
001	12204-ZE1-306	GUIDE, IN. VALVE (OS)	1	
002	12205-ZE1-315	GUIDE, EX. VALVE (OS)	1	
003	12210-ZH8-415	HEAD COMP., CYLINDER	1	
004	12216-ZE5-300	CLIP, VALVE GUIDE	1	
005	12251-ZF1-800	GASKET, CYLINDER HEAD	1	
006	12310-ZE1-020	COVER COMP., HEAD	1	
007	12391-ZE1-000	PACKING, HEAD COVER	1	
008	15721-883-030	TUBE, BREATHER	1	
009	90013-883-000	BOLT, FLANGE, 6X12 (CT200)	4	
010	90043-ZB2-003	BOLT, STUD, 6X94	2	
011	90047-ZE1-000	BOLT, STUD, 8X32	2	
012	94301-10160	DOWEL PIN, 10X16	2	
014	95701-0806000	BOLT, FLANGE, 8X60	4	
Ref	Partnumber	Description	GX160K1	Serial Numbers
015	98079-56846	PLUG, SPARK (BPR6ES) (NGK)	1	
015	98079-56855	PLUG, SPARK (W20EPR-U) (DENSO)	1	



Ref	Partnumber	Description	GX160K1	Serial Numbers
001	30500-ZE1-073	COIL ASSY., IGNITION	1	
002	30700-ZE1-013	CAP ASSY., NOISE SUPPRESSOR (NICHIWA Y-E	1	
012	36101-ZB2-010	CORD, STOP SWITCH (395MM)	1	
015	90121-952-000	BOLT, FLANGE, 6X25 (CT200)	2	

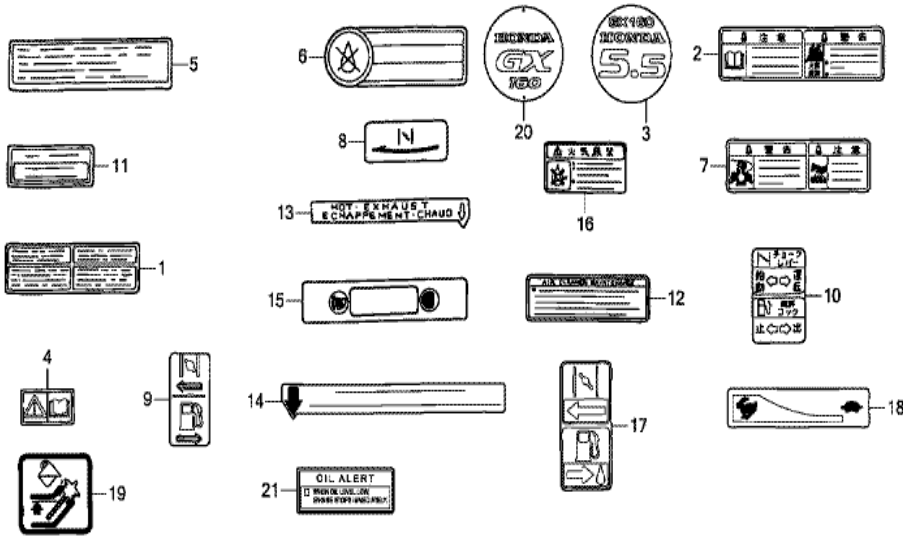


Ref	Partnumber	Description	GX160K1	Serial Numbers
005	16551-ZE0-010	ARM, GOVERNOR	1	
006	16555-ZE1-000	ROD, GOVERNOR	1	
007	16561-ZH8-D00	SPRING, GOVERNOR	1	
008	16562-ZE1-020	SPRING, THROTTLE RETURN	1	
024	90015-ZE5-010	BOLT, GOVERNOR ARM	1	
033	94050-06000	NUT, FLANGE, 6MM	1	



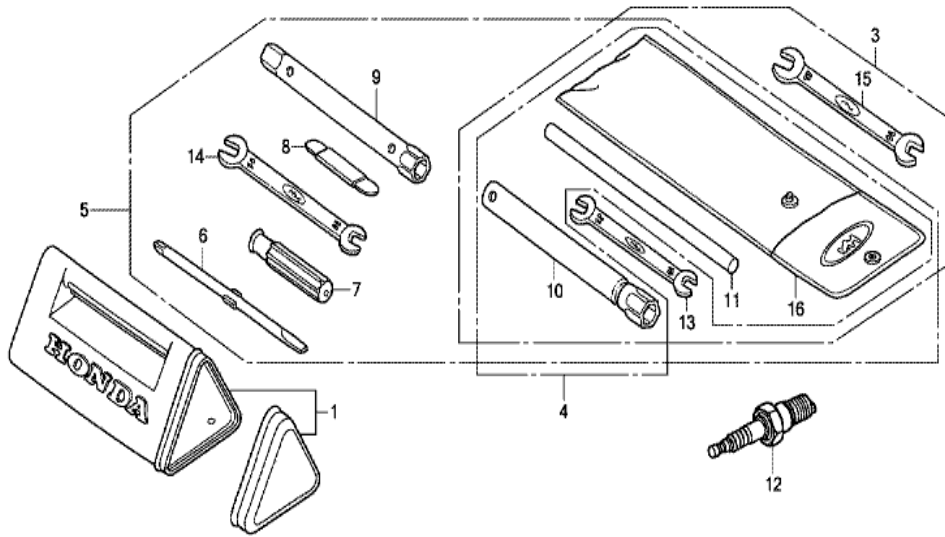
Z2F0E2800C

Ref	Partnumber	Description	GX160K1	Serial Numbers
005	87521-ZH8-040	EMBLEM (GX160)	1	
022	87594-ZB4-A00	MARK, OIL CAUTION	1	
024	87114-ZH7-000	LABEL, WARNING (NOT CERTIFIED FOR SALE)	1	
025	87516-Z0D-800	MARK, OPERATOR CAUTION	1	



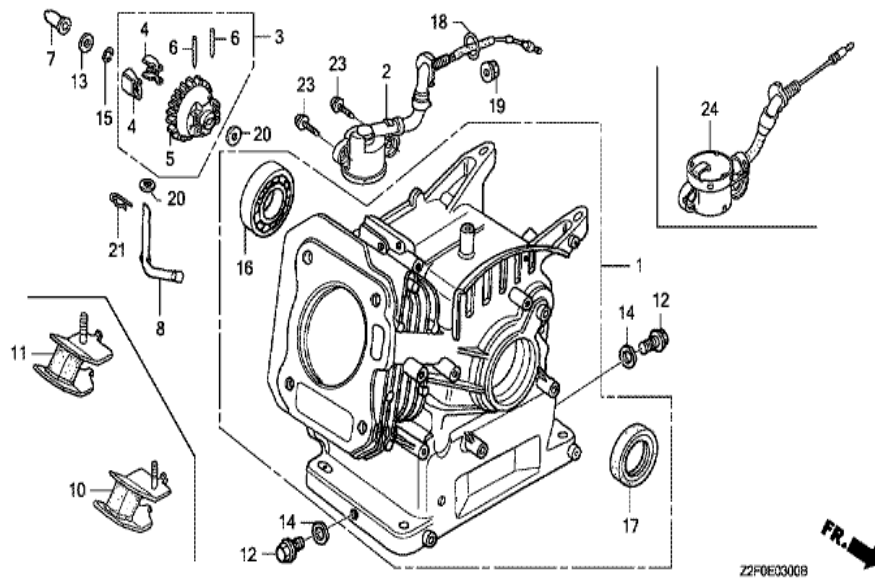
Z2F0E2801D

Ref	Partnumber	Description	GX160K1	Serial Numbers
006	87522-883-660	MARK, CAUTION (ENGLISH/FRENCH/SPANISH)	1	
008	87528-ZB2-630	MARK, CHOKE	1	
012	87533-ZC0-630	MARK, AIR CLEANER (ENGLISH)	1	
013	87539-ZB2-630	MARK, EX. CAUTION	1	



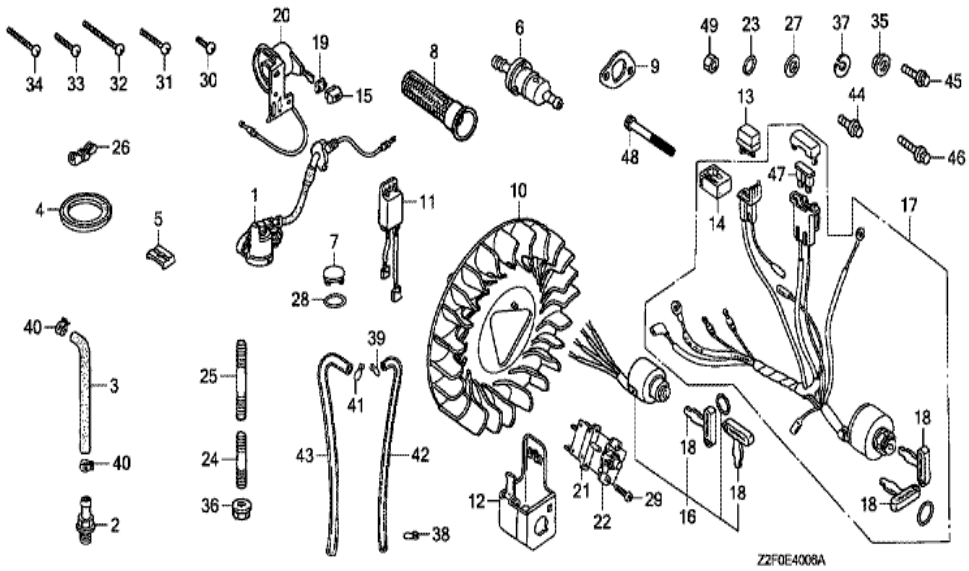
Z2FUE2900A

Ref	Partnumber	Description	GX160K1	Serial Numbers
010	99004-21001	WRENCH, BOX (P21)	1	

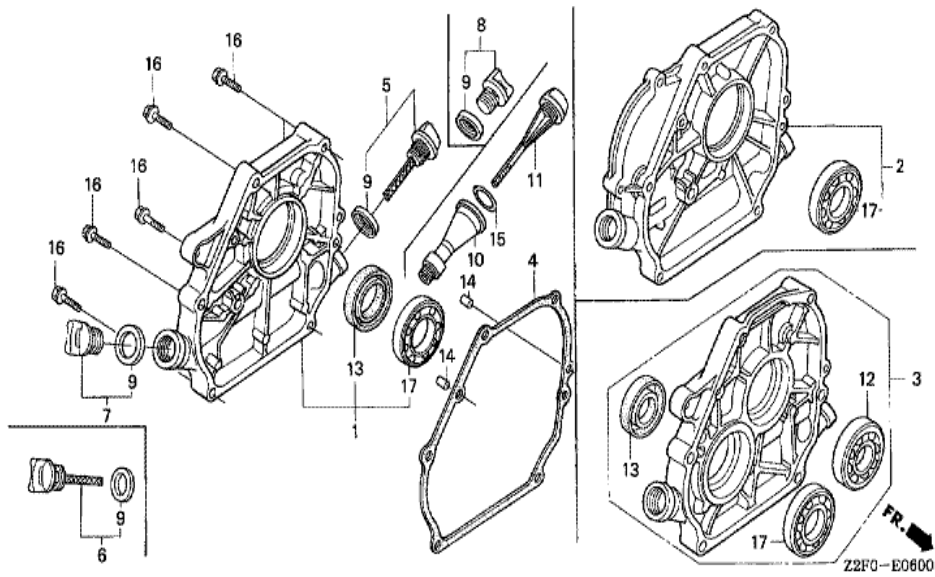


Z2F0E03008

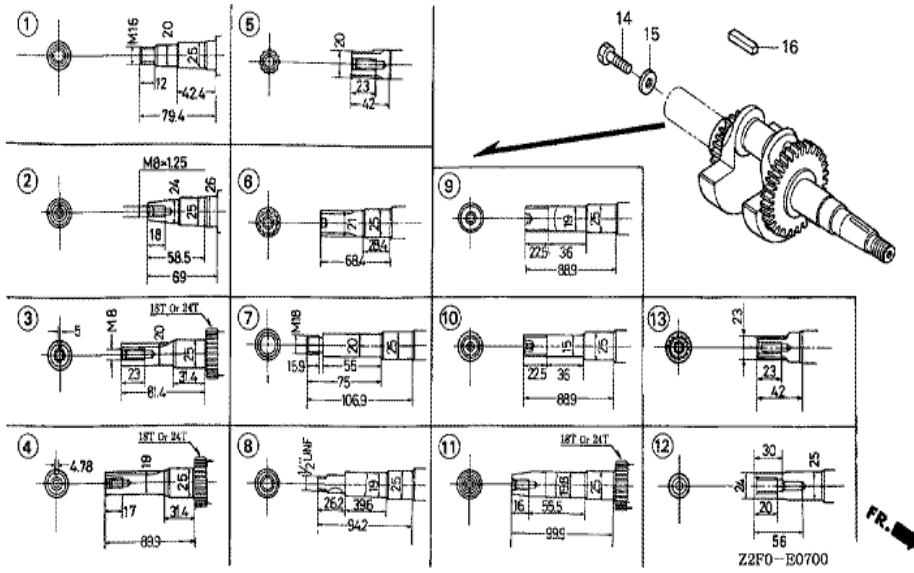
Ref	Partnumber	Description	GX160K1	Serial Numbers
001	12000-ZH8-426	BARREL ASSY., CYLINDER (OIL ALERT)	1	
002	15510-ZE1-043	SWITCH ASSY., OIL LEVEL	1	1513849
003	16510-ZE1-000	GOVERNOR ASSY.	1	
004	16511-ZE1-000	WEIGHT, GOVERNOR	2	
005	16512-ZE1-000	HOLDER, GOVERNOR WEIGHT	1	
006	16513-ZE1-000	PIN, GOVERNOR WEIGHT	2	
007	16531-ZE1-000	SLIDER, GOVERNOR	1	
008	16541-ZE1-000	SHAFT, GOVERNOR ARM	1	
012	90131-ZE1-000	BOLT, DRAIN PLUG	2	
013	90451-ZE1-000	WASHER, THRUST, 6MM	1	
014	90601-ZE1-000	WASHER, DRAIN PLUG, 10.2MM	2	
015	90602-ZE1-000	CLIP, GOVERNOR HOLDER	1	
016	91001-Z1T-003	BEARING, RADIAL BALL, 6205 (NSK)	1	
Ref	Partnumber	Description	GX160K1	Serial Numbers
016	91001-ZF1-003	BEARING, RADIAL BALL (6205TMB) (NTN)	1	
016	91001-ZF1-004	BEARING, RADIAL BALL (6205SH) (KOYO)	1	
017	91201-Z0T-801	OIL SEAL, 25X41X6 (NOK)	1	
018	91353-671-004	O-RING, 14MM (NOK)	1	
019	94050-10000	NUT, FLANGE, 10MM	1	
020	94101-06800	WASHER, PLAIN, 6MM	2	
021	94251-08000	PIN, LOCK, 8MM	1	
023	95701-0601200	BOLT, FLANGE, 6X12	2	
024	35480-Z0T-003	SWITCH ASSY., OIL LEVEL	1	1513850



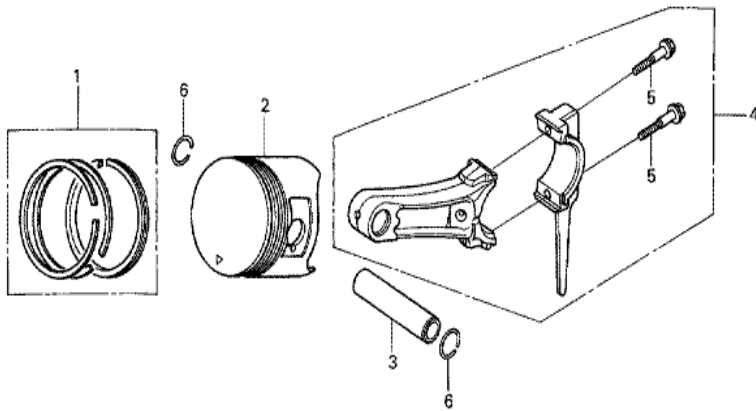
Ref	Partnumber	Description	GX160K1	Serial Numbers
015	32343-892-003	KNOB, COCK LEVER	1	
019	36106-892-003	BUSH, CONTROL KNOB	1	
020	36110-ZB2-003	SWITCH ASSY., ENGINE	1	
044	95701-0601000	BOLT, FLANGE, 6X10	1	



Ref	Partnumber	Description	GX160K1	Serial Numbers
001	11300-ZE1-634	COVER ASSY., CRANKCASE	1	
004	11381-ZH8-801	PACKING, CASE COVER (NON ASBESTOS)	1	
005	15600-ZE1-003	CAP ASSY., OIL FILLER (GRAY)	1	
007	15600-ZG4-003	CAP ASSY., OIL FILLER	1	
009	15625-ZE1-003	PACKING, OIL FILLER CAP	2	
013	91201-Z0T-801	OIL SEAL, 25X41X6 (NOK)	1	
014	94301-08140	DOWEL PIN, 8X14	2	
016	95701-0803200	BOLT, FLANGE, 8X32	6	
017	96100-6205000	BEARING, RADIAL BALL, 6205	1	



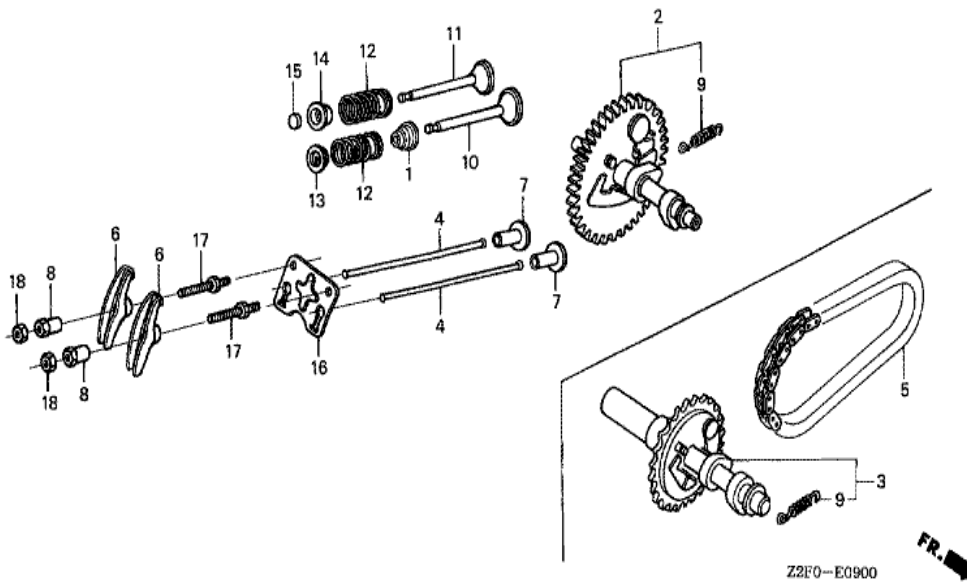
Ref	Partnumber	Description	GX160K1	Serial Numbers
002	13310-ZB2-000	CRANKSHAFT COMP.	1	



Z2F0-E0800



Ref	Partnumber	Description	GX160K1	Serial Numbers
001	13010-Z4K-004	RING SET, PISTON (STD.) (TPR)	1	
001	13011-Z4K-004	RING SET, PISTON (0.25) (TPR)	(1)	
001	13012-Z4K-004	RING SET, PISTON (0.50) (TPR)	(1)	
001	13013-Z4K-004	RING SET, PISTON (0.75) (TPR)	(1)	
002	13101-ZH8-020	PISTON (STD.)	1	
002	13102-ZH8-020	PISTON (0.25)	(1)	
002	13103-ZH8-020	PISTON (0.50)	(1)	
002	13104-ZH8-020	PISTON (0.75)	(1)	
003	13111-ZE1-000	PIN, PISTON	1	
004	13200-ZE1-010	ROD ASSY., CONNECTING (STD.)	1	1596553
004	13200-ZE1-020	ROD ASSY., CONNECTING (STD.)	1	1596554
005	90001-ZE1-000	BOLT, CONNECTING ROD	2	
006	90551-ZE1-000	CLIP, PISTON PIN, 18MM	2	



Z2F0-E0900



Ref	Partnumber	Description	GX160K1	Serial Numbers
001	12209-ZH8-003	SEAL, VALVE STEM	1	
002	14100-ZE1-812	CAMSHAFT ASSY.	1	
004	14410-ZE1-010	ROD, PUSH	2	
006	14431-ZE1-000	ARM, VALVE ROCKER	2	
007	14441-ZE1-010	LIFTER, VALVE	2	
008	14451-ZE1-013	PIVOT, ROCKER ARM	2	
009	14568-ZE1-000	SPRING, WEIGHT RETURN	1	
010	14711-ZF1-000	VALVE, IN.	1	
011	14721-ZF1-000	VALVE, EX.	1	
012	14751-ZF1-000	SPRING, VALVE	2	
013	14771-ZE1-000	RETAINER, IN. VALVE SPRING	1	
014	14773-ZE1-000	RETAINER, EX. VALVE SPRING	1	
015	14781-ZE1-000	ROTATOR, VALVE	1	
Ref	Partnumber	Description	GX160K1	Serial Numbers
016	14791-ZE1-010	PLATE, PUSH ROD GUIDE	1	
017	90012-ZE0-010	BOLT, PIVOT, 8MM	2	
018	90206-ZE1-000	NUT, PIVOT ADJUSTING	2	