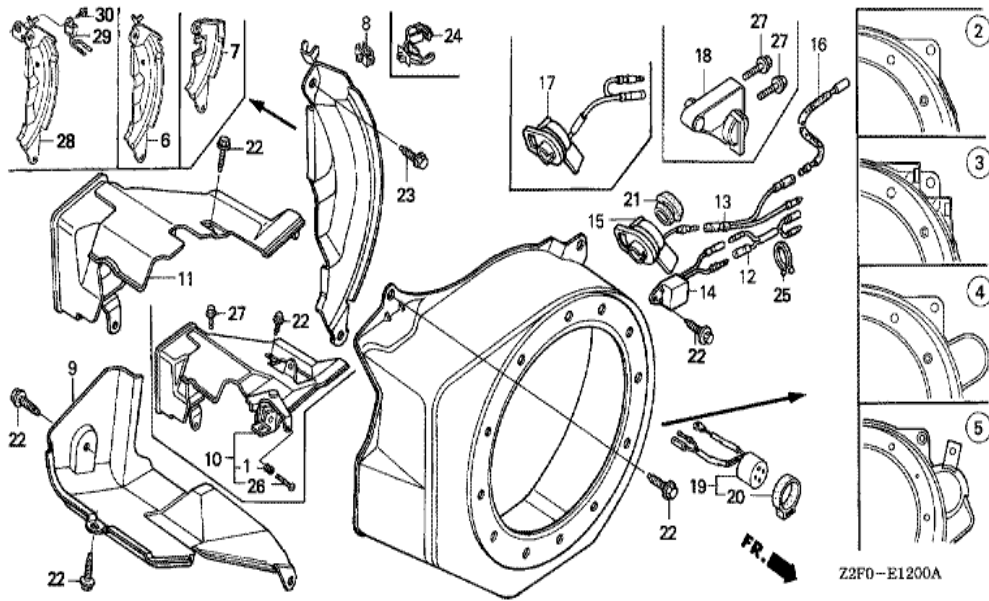
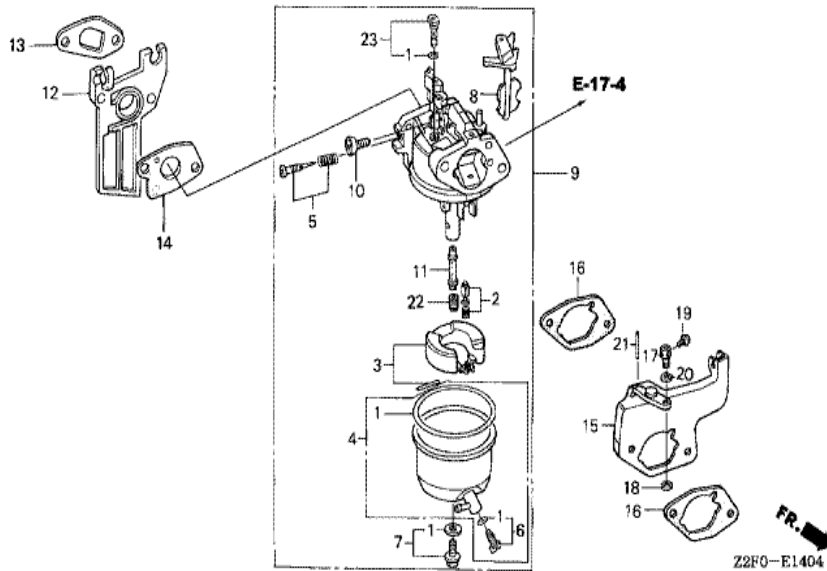


Ref	Partnumber	Description	GX160K1	Serial Numbers
002	28400-ZH8-D53	STARTER ASSY., RECOIL	1	
003	28410-ZH8-D51	CASE COMP., RECOIL STARTER	1	
005	28421-Z0T-003	REEL, RECOIL STARTER	1	1721558
005	28421-ZH8-801	REEL, RECOIL STARTER (BLACK)	1	1721557
006	28422-ZH8-801	RATCHET, STARTER	2	
007	28431-ZH8-801	PLATE, FRICTION	1	
008	28433-ZH8-801	GUIDE, RATCHET	1	
009	28441-ZH8-801	SPRING, FRICTION	1	
010	28442-ZH8-003	SPRING, RECOIL STARTER	1	
011	28443-ZH8-801	SPRING, RETURN	2	
012	28461-ZH8-003	GRIP, STARTER	1	1625955
012	28461-ZH8-013	KNOB, RECOIL SRARTER	1	1625956
013	28462-ZH8-003	ROPE, RECOIL STARTER	1	
Ref	Partnumber	Description	GX160K1	Serial Numbers
015	90003-ZH8-801	SCREW, SETTING	1	
016	90008-ZE2-003	BOLT, FLANGE, 6X10	3	

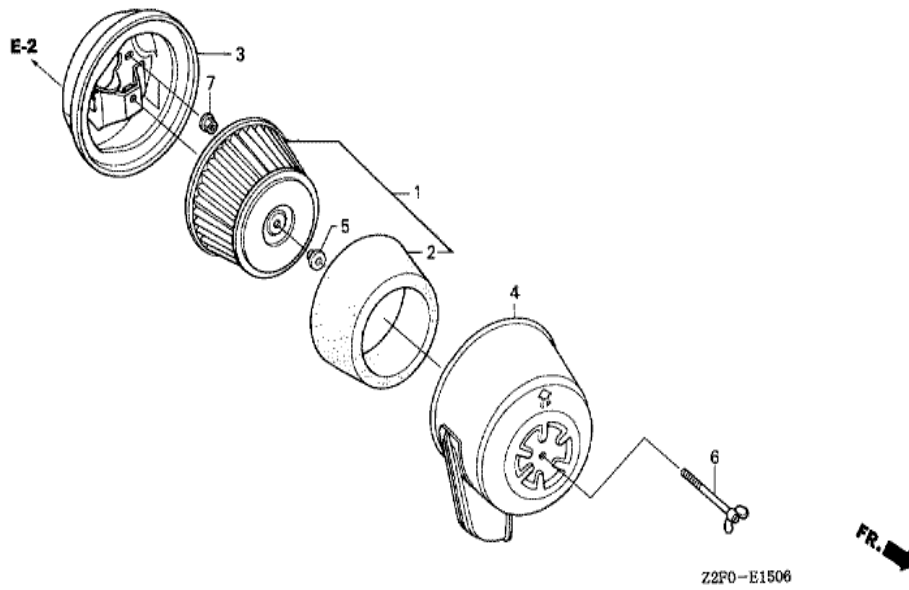


Z3F0-E1200A

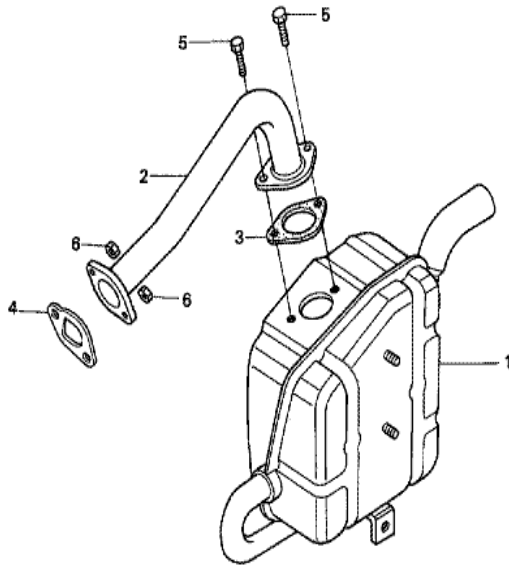
Ref	Partnumber	Description	GX160K1	Serial Numbers
002	19610-ZB6-010	COVER COMP., FAN	1	
006	19612-ZH8-000	PLATE, SIDE (STD.)	1	
022	90013-883-000	BOLT, FLANGE, 6X12 (CT200)	4	
023	90022-888-010	BOLT, FLANGE, 6X20 (CT200)	1	



<u>Ref</u>	<u>Partnumber</u>	<u>Description</u>	<u>GX160K1</u>	<u>Serial Numbers</u>
001	16010-ZB9-005	GASKET SET	1	
002	16011-ZE0-005	VALVE SET, FLOAT	1	
003	16013-ZE0-005	FLOAT SET	1	
004	16015-ZB9-005	CHAMBER SET, FLOAT	1	
005	16016-ZE0-005	SCREW SET, PILOT	1	
006	16024-ZB9-005	SCREW SET, DRAIN	1	
007	16028-ZE0-005	SCREW SET	1	
008	16044-ZE7-005	CHOKE SET	1	
009	16100-ZH8-D62	CARBURETOR ASSY. (BE51B B)	1	
010	16124-ZE0-005	SCREW, THROTTLE STOP	1	
011	16166-ZH8-D60	NOZZLE, MAIN	1	
012	16211-ZE1-000	INSULATOR, CARBURETOR	1	
013	16212-ZH8-800	PACKING, INSULATOR	1	
<u>Ref</u>	<u>Partnumber</u>	<u>Description</u>	<u>GX160K1</u>	<u>Serial Numbers</u>
014	16221-ZH8-801	PACKING, CARBURETOR	1	
015	16260-ZB6-000	STAY COMP., CHOKE	1	
016	16269-ZE1-800	PACKING, AIR CLEANER	2	
017	16617-890-010	HOLDER, CABLE	1	
018	90605-230-000	CIRCLIP, 5MM	1	
019	93500-040080A	SCREW, PAN, 4X8	1	
020	94101-06800	WASHER, PLAIN, 6MM	1	
021	94305-20182	PIN, SPRING, 2X18	1	
022	99101-ZH80650	JET, MAIN, #65	(1)	
022	99101-ZH80680	JET, MAIN, #68	(1)	
022	99101-ZH80700	JET, MAIN, #70	1	
023	99204-ZE00350	JET SET, PILOT, #35	1	

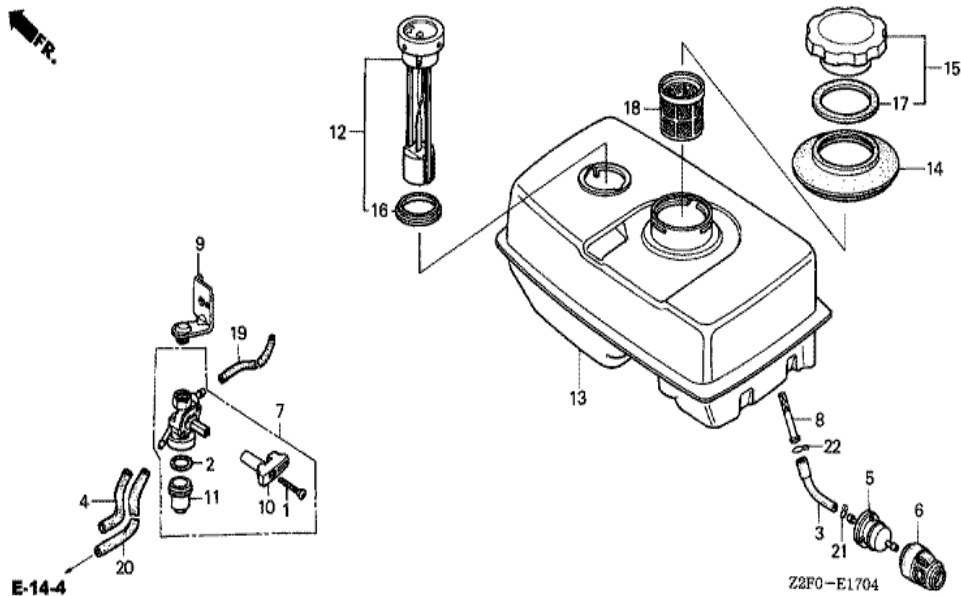


<u>Ref</u>	<u>Partnumber</u>	<u>Description</u>	<u>GX160K1</u>	<u>Serial Numbers</u>
001	17210-883-903	ELEMENT COMP., AIR CLEANER	1	
002	17218-883-901	ELEMENT B, AIR CLEANER	1	
003	17220-ZB6-601	CASE COMP., AIR CLEANER	1	
004	17230-ZB6-000	COVER COMP., AIR CLEANER	1	
005	17232-890-010	GROMMET, AIR CLEANER	1	
006	90143-300-020	BOLT, AIR CLEANER COVER	1	
007	94050-06000	NUT, FLANGE, 6MM	2	

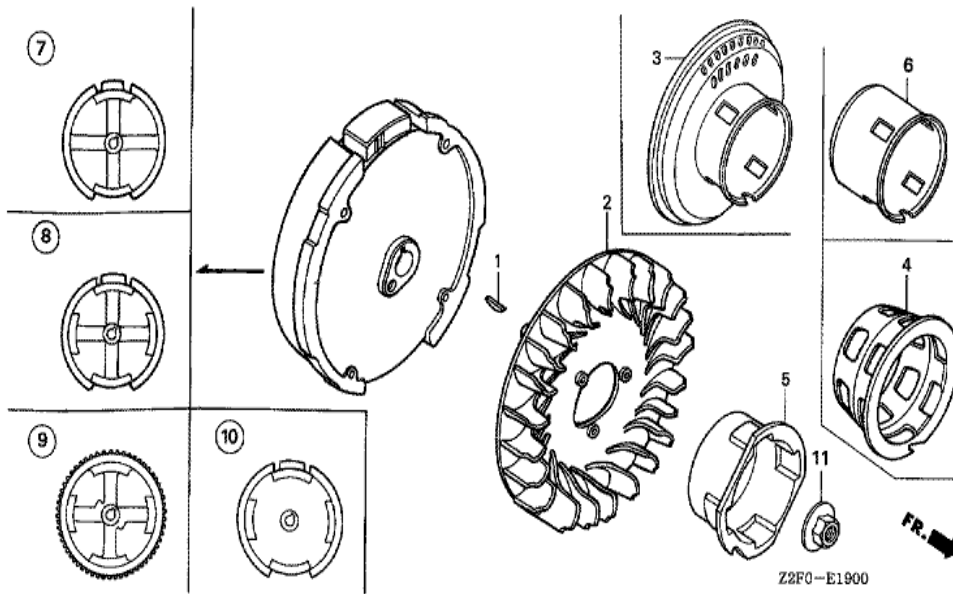


Z2P0-E1605

<u>Ref</u>	<u>Partnumber</u>	<u>Description</u>	<u>GX160K1</u>	<u>Serial Numbers</u>
001	18310-ZB6-C01	MUFFLER COMP.	1	
002	18330-ZB6-000	PIPE COMP., EX.	1	
003	18381-ZE1-800	GASKET, MUFFLER	1	
004	18381-ZH8-800	GASKET, MUFFLER	1	
005	92101-080200A	BOLT, HEX., 8X20	2	
006	94001-080000S	NUT, HEX., 8MM	2	

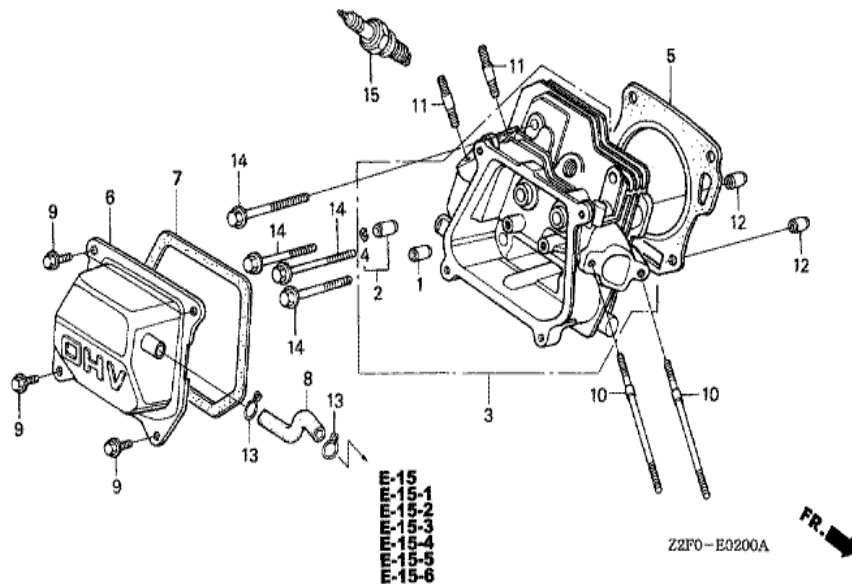


Ref	Partnumber	Description	GX160K1	Serial Numbers
001	16080-191-005	SCREW, OVAL, 4X32	1	
002	16173-001-004	PACKING, FUEL STRAINER CUP	1	
003	16852-ZB6-000	TUBE, FUEL TANK	1	
004	16857-ZB6-000	RUBBER, SUPPORTER	1	
005	16910-GB2-005	STRAINER COMP., FUEL	1	
006	16915-GB2-000	SUSPENSION, STRAINER	1	
007	16950-ZA0-013	COCK ASSY., FUEL	1	1237049
007	16950-ZA0-023	COCK ASSY., FUEL	1	1237050
008	16952-ZB6-000	BUSH, FUEL PURGE	1	
009	16956-ZA0-010	STAY COMP., FUEL COCK	1	
010	16963-191-005	LEVER, FUEL COCK	1	
011	16967-MA2-771	CUP, FUEL STRAINER	1	
012	17505-898-023	METER COMP., FUEL	1	
Ref	Partnumber	Description	GX160K1	Serial Numbers
013	17510-ZB6-010	TANK COMP., FUEL	1	
014	17520-ZA0-800	SEAL, FUEL FILLER NECK	1	
015	17620-899-013	CAP COMP., FUEL FILLER	1	
016	17624-187-020	PACKING C, FUEL METER	1	
017	17631-899-000	PACKING, FUEL FILLER CAP	1	
018	17670-ZB6-000	FILTER COMP., FUEL	1	
019	95001-4508040	TUBE, FUEL, 4.5X80 (95001-4500 (95001-45	1	
020	95001-4530040	TUBE, FUEL, 4.5X300 (95001-45001-60M)	1	
021	95002-02080	CLIP, TUBE (B8)	1	
022	95002-02100	CLIP, TUBE (B10)	1	

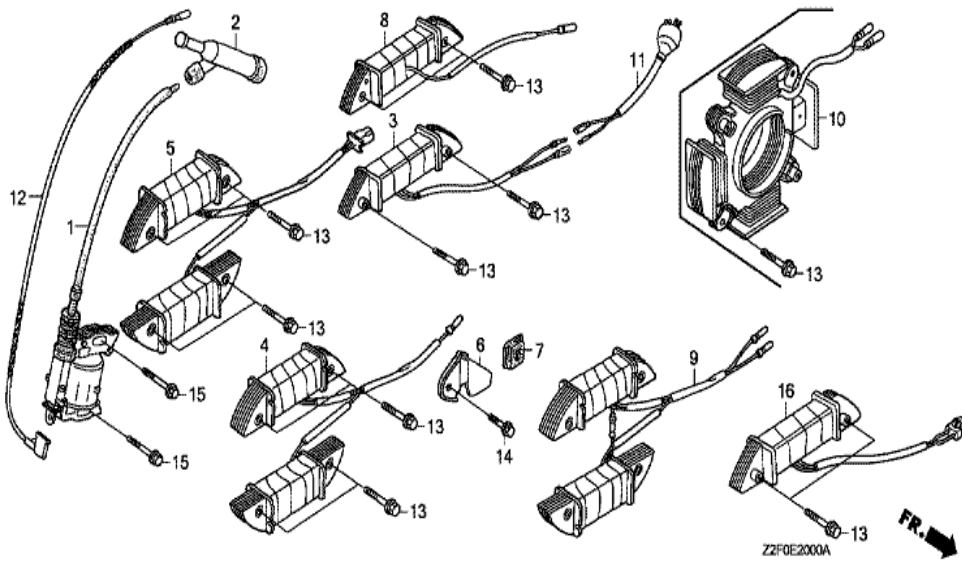


Z2F0-E1900

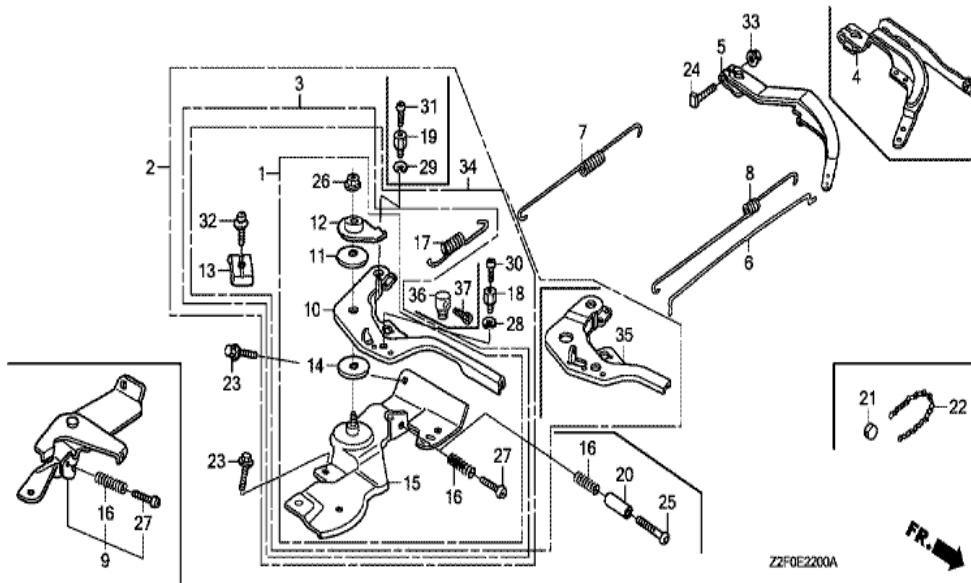
Ref	Partnumber	Description	GX160K1	Serial Numbers
001	13331-357-000	KEY, SPECIAL WOODRUFF, 25X18	1	
002	19511-ZE1-000	FAN, COOLING	1	
006	28451-ZH8-801	PULLEY, STARTER	1	
007	31100-ZE1-010	FLYWHEEL COMP.	1	
011	90201-878-003	NUT, SPECIAL, 14MM	1	



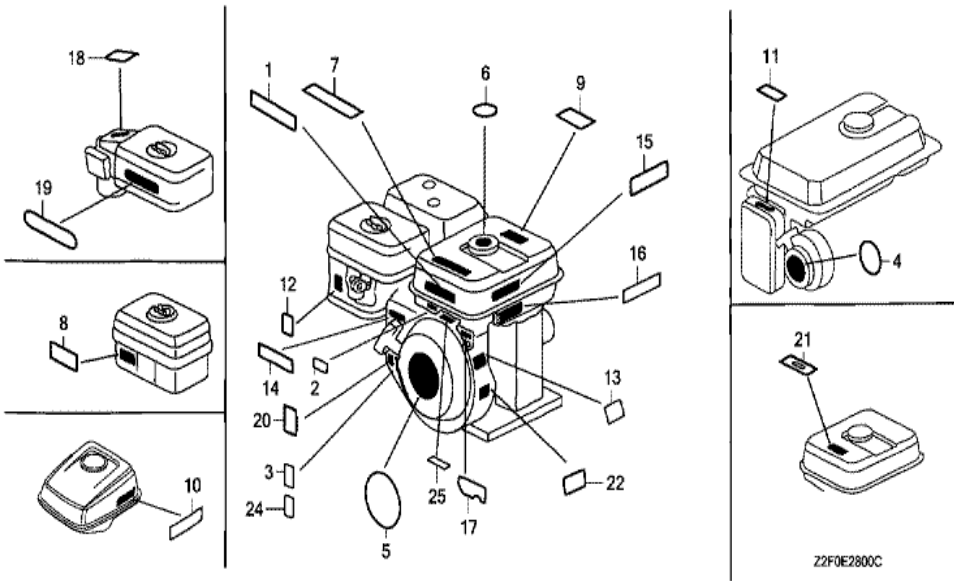
Ref	Partnumber	Description	GX160K1	Serial Numbers
001	12204-ZE1-306	GUIDE, IN. VALVE (OS)	1	
002	12205-ZE1-315	GUIDE, EX. VALVE (OS)	1	
003	12210-ZH8-405	HEAD COMP., CYLINDER	1	1237986
003	12210-ZH8-415	HEAD COMP., CYLINDER	1	1237987
004	12216-ZE5-300	CLIP, VALVE GUIDE	1	
005	12251-ZF1-800	GASKET, CYLINDER HEAD	1	
006	12310-ZE1-020	COVER COMP., HEAD	1	
007	12391-ZE1-000	PACKING, HEAD COVER	1	
008	15721-ZH8-D60	TUBE, BREATHER	1	
009	90013-883-000	BOLT, FLANGE, 6X12 (CT200)	4	
010	90043-ZB2-003	BOLT, STUD, 6X94	2	
011	90047-ZE1-000	BOLT, STUD, 8X32	2	
012	94301-10160	DOWEL PIN, 10X16	2	
Ref	Partnumber	Description	GX160K1	Serial Numbers
014	95701-0806000	BOLT, FLANGE, 8X60	4	1349665
014	95723-0806000	BOLT, FLANGE, 8X60	4	1349664
015	98079-56846	PLUG, SPARK (BPR6ES) (NGK)	1	
015	98079-56855	PLUG, SPARK (W20EPR-U) (DENSO)	1	



Ref	Partnumber	Description	GX160K1	Serial Numbers
001	30500-ZE1-043	COIL ASSY., IGNITION	1	1049706
001	30500-ZE1-053	COIL ASSY., IGNITION	1	1049707 1067684
001	30500-ZE1-063	COIL ASSY., IGNITION	1	1067685 1346318
001	30500-ZE1-073	COIL ASSY., IGNITION	1	1346319
002	30700-ZB6-013	CAP ASSY., NOISE SUPPRESSOR	1	
012	36101-ZE1-010	CORD, STOP SWITCH (370MM)	1	
015	90121-952-000	BOLT, FLANGE, 6X25 (CT200)	2	

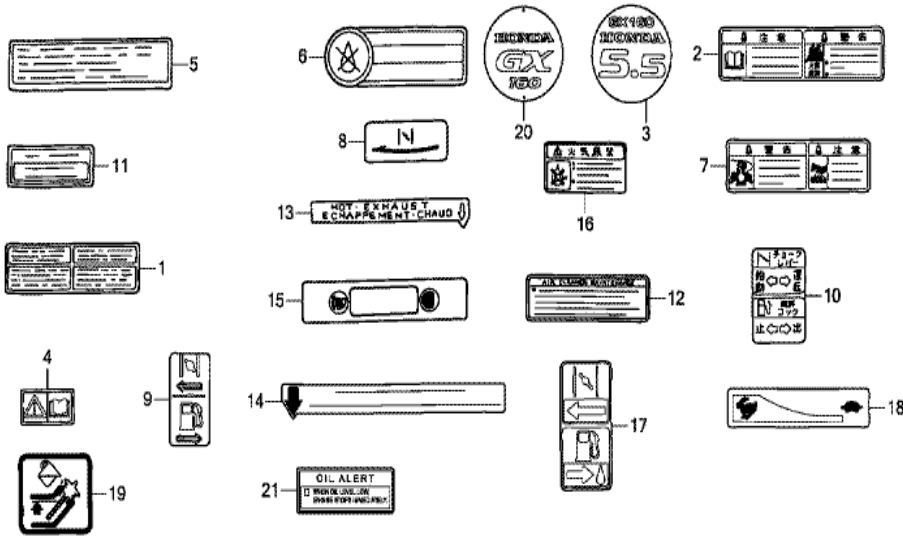


Ref	Partnumber	Description	GX160K1	Serial Numbers
002	16500-ZH8-863	CONTROL ASSY. (REMOTE)	1	
005	16551-ZE0-010	ARM, GOVERNOR	1	
006	16555-ZE1-000	ROD, GOVERNOR	1	
007	16561-ZE1-020	SPRING, GOVERNOR	1	
008	16562-ZE1-020	SPRING, THROTTLE RETURN	1	
010	16571-ZH8-S02	LEVER, CONTROL	1	
011	16574-ZE1-000	SPRING, LEVER	1	
012	16575-ZH8-000	WASHER, CONTROL LEVER	1	
013	16576-891-000	HOLDER, CABLE	1	
014	16578-ZE1-000	SPACER, CONTROL LEVER	1	
015	16580-ZH8-813	BASE COMP., CONTROL (REMOTE)	1	
016	16584-883-300	SPRING, CONTROL ADJUSTING	1	
017	16592-ZE1-810	SPRING, CABLE RETURN	1	
Ref	Partnumber	Description	GX160K1	Serial Numbers
018	16594-883-010	HOLDER, WIRE	1	
023	90013-883-000	BOLT, FLANGE, 6X12 (CT200)	2	
024	90015-ZE5-010	BOLT, GOVERNOR ARM	1	
026	90114-SA0-000	NUT, SELF-LOCK, 6MM	1	
027	93500-050250H	SCREW, PAN, 5X25	1	
028	90605-230-000	CIRCLIP, 5MM	1	
030	93500-040060H	SCREW, PAN, 4X6	1	
032	93500-050160A	SCREW, PAN, 5X16	1	
033	94050-06000	NUT, FLANGE, 6MM	1	



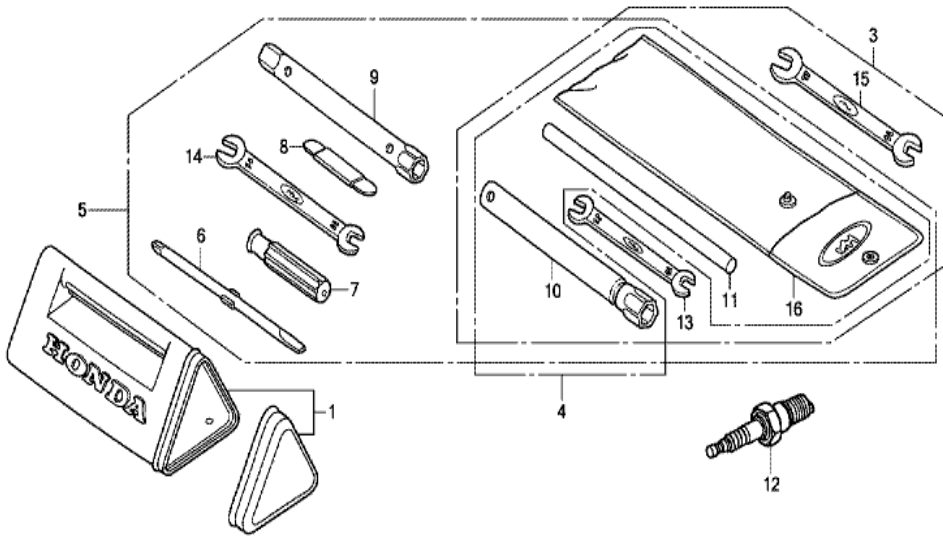
Z2F0E2800C

Ref	Partnumber	Description	GX160K1	Serial Numbers
002	87135-ZE2-020	LABEL, E-SPEC (15.5X27.5)	1	1165999
024	87114-ZH7-000	LABEL, WARNING (NOT CERTIFIED FOR SALE)	1	1055702



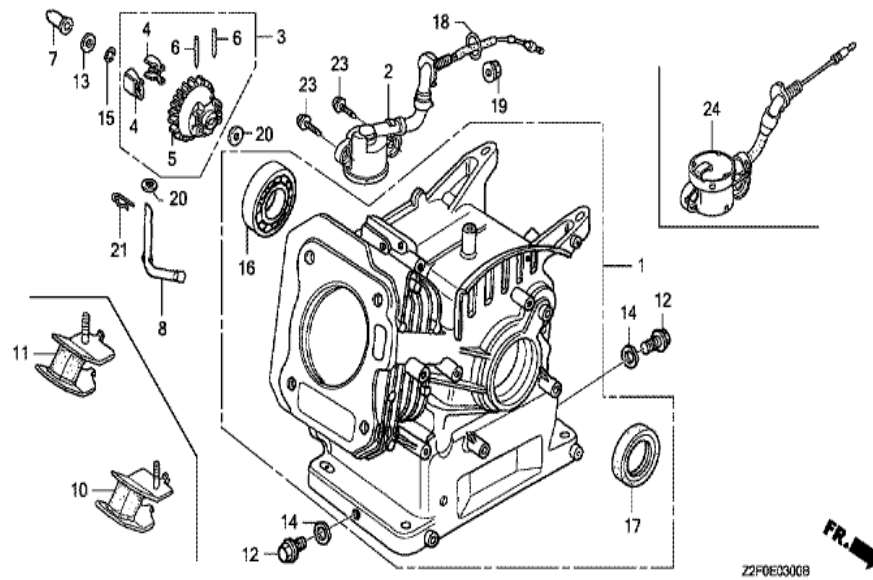
Z2F0E2801D

Ref	Partnumber	Description	GX160K1	Serial Numbers
007	87526-ZH8-000	MARK B, COMBINATION (JAPANESE)	1	



Z2F0E2900A

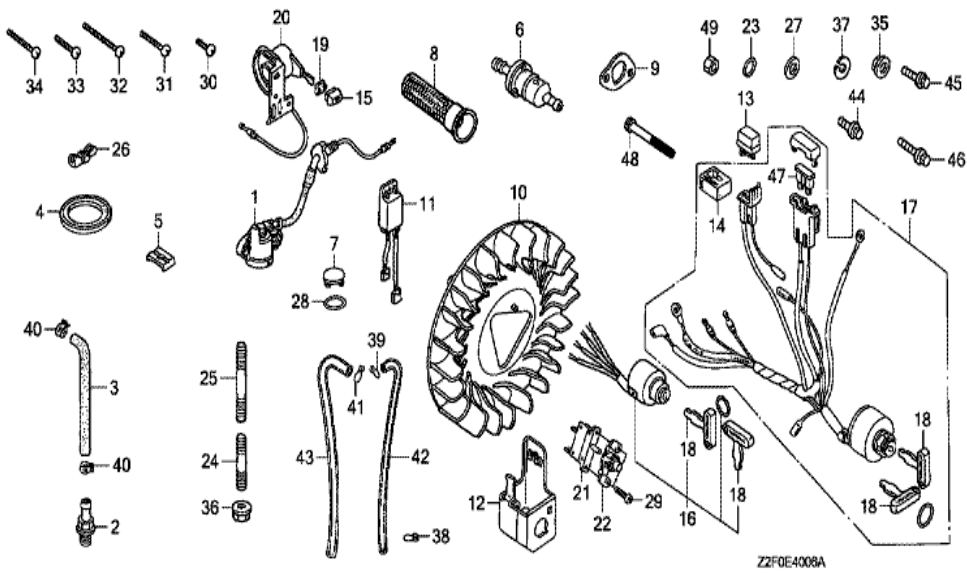
Ref	Partnumber	Description	GX160K1	Serial Numbers
010	89216-357-000	WRENCH, BOX (P21)	1	
011	99005-01000	BAR A, HANDLE	1	



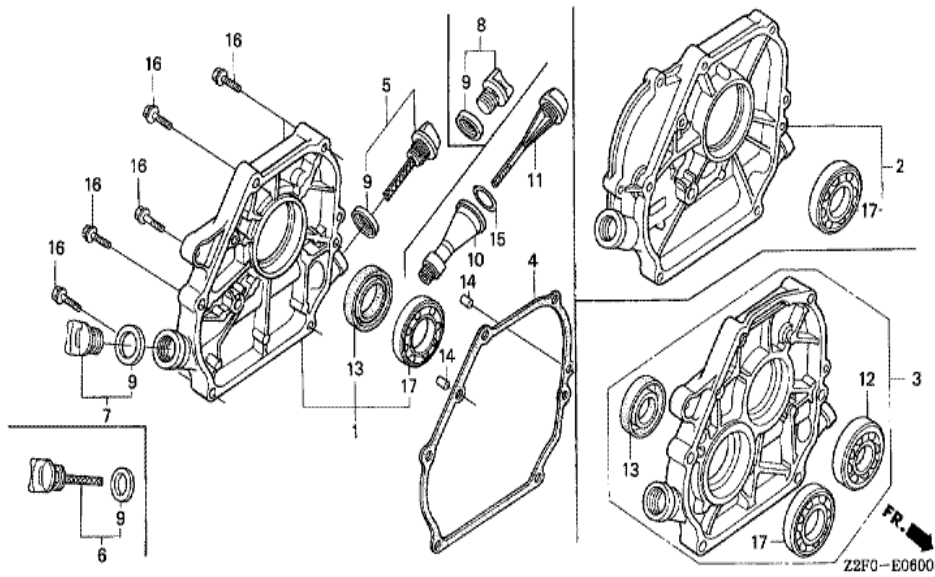
Z2F0E03008

FR. →

<u>Ref</u>	<u>Partnumber</u>	<u>Description</u>	<u>GX160K1</u>	<u>Serial Numbers</u>
001	12000-ZH8-425	BARREL ASSY., CYLINDER	1	
003	16510-ZE1-000	GOVERNOR ASSY.	1	
004	16511-ZE1-000	WEIGHT, GOVERNOR	2	
005	16512-ZE1-000	HOLDER, GOVERNOR WEIGHT	1	
006	16513-ZE1-000	PIN, GOVERNOR WEIGHT	2	
007	16531-ZE1-000	SLIDER, GOVERNOR	1	
008	16541-ZE1-000	SHAFT, GOVERNOR ARM	1	
011	68328-ZB2-000	RUBBER, BOTTOM	2	
012	90131-ZE1-000	BOLT, DRAIN PLUG	2	
013	90451-ZE1-000	WASHER, THRUST, 6MM	1	
014	90601-ZE1-000	WASHER, DRAIN PLUG, 10.2MM	2	
015	90602-ZE1-000	CLIP, GOVERNOR HOLDER	1	
016	91001-Z1T-003	BEARING, RADIAL BALL, 6205 (NSK)	1	
<u>Ref</u>	<u>Partnumber</u>	<u>Description</u>	<u>GX160K1</u>	<u>Serial Numbers</u>
016	91001-ZF1-003	BEARING, RADIAL BALL (6205TMB) (NTN)	1	
016	91001-ZF1-004	BEARING, RADIAL BALL (6205SH) (KOYO)	1	
017	91201-Z0T-801	OIL SEAL, 25X41X6 (NOK)	1	
020	94101-06800	WASHER, PLAIN, 6MM	2	
021	94251-08000	PIN, LOCK, 8MM	1	

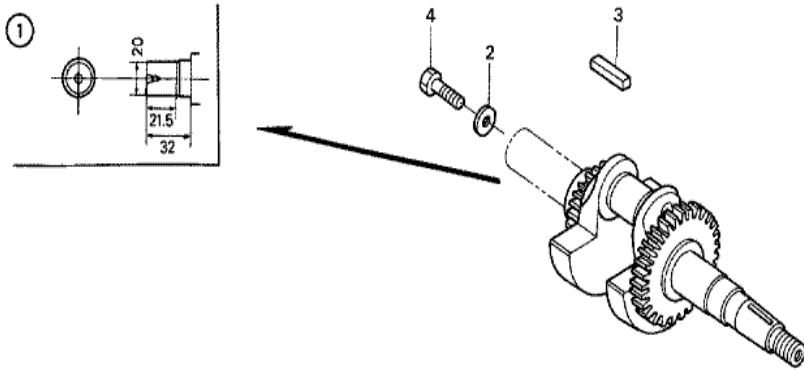


Ref	Partnumber	Description	GX160K1	Serial Numbers
007	17507-ZA0-800	CAP, FUEL METER	1	
028	91356-706-000	O-RING, 56X2.4	1	
034	93500-050320A	SCREW, PAN, 5X32	1	
038	95002-02080	CLIP, TUBE (B8)	4	
039	95002-35000	CLIP, TUBE (C6.5)	1	
041	95002-45000	CLIP, TUBE (C8)	1	
042	95003-0502131	TUBE, VINYL, 3.5X6.5X210 (9500 (95003-05	1	
043	95003-0902531	TUBE, VINYL, 4.5X8X250 (95003- (95003-09	1	



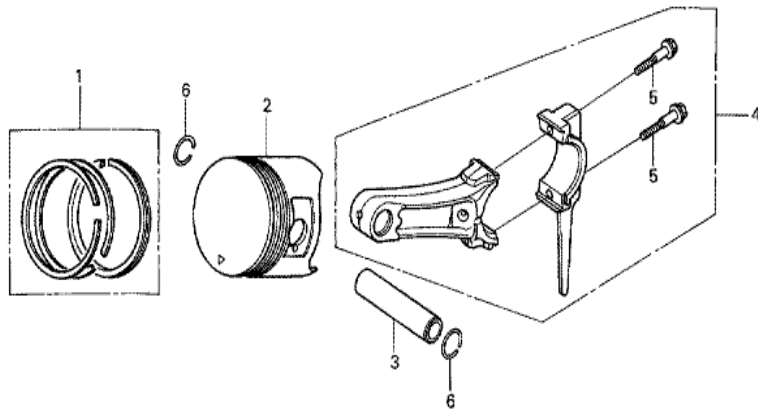
Z2F0-E0600

Ref	Partnumber	Description	GX160K1	Serial Numbers
003	11300-ZL0-691	COVER ASSY., CRANKCASE	1	
004	11381-ZH8-801	PACKING, CASE COVER (NON ASBESTOS)	1	
005	15600-ZE1-003	CAP ASSY., OIL FILLER (GRAY)	1	
007	15600-ZG4-003	CAP ASSY., OIL FILLER	1	
009	15625-ZE1-003	PACKING, OIL FILLER CAP	2	
012	91001-GF6-004	BEARING, RADIAL BALL, 6304	1	
013	91201-Z0T-801	OIL SEAL, 25X41X6 (NOK)	1	
014	94301-08140	DOWEL PIN, 8X14	2	
016	95701-0803200	BOLT, FLANGE, 8X32	6	
017	96100-6205000	BEARING, RADIAL BALL, 6205	1	



Z2F0-E0701

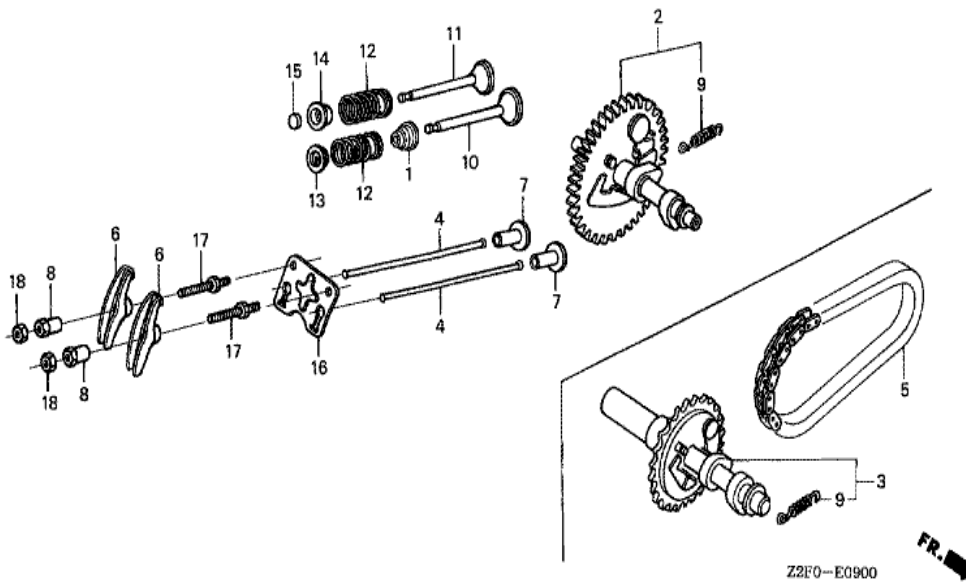
Ref	Partnumber	Description	GX160K1	Serial Numbers
001	13310-ZH8-690	CRANKSHAFT COMP.	1	
003	90741-883-810	KEY, 5X5X33 (YELLOW)	1	



Z2F0-E0800



<u>Ref</u>	<u>Partnumber</u>	<u>Description</u>	<u>GX160K1</u>	<u>Serial Numbers</u>
001	13010-Z4K-004	RING SET, PISTON (STD.) (TPR)	1	1314913
001	13010-ZL0-003	RING SET, PISTON (STD.) (TEIKOKU)	1	1314912
001	13010-ZL0-004	RING SET, PISTON (STD.) (NIPPON)	1	1314912
001	13011-Z4K-004	RING SET, PISTON (0.25) (TPR)	(1)	1314913
001	13011-ZL0-003	RING SET, PISTON (0.25) (TEIKOKU)	(1)	1314912
001	13011-ZL0-004	RING SET, PISTON (0.25) (NIPPON)	(1)	1314912
001	13012-Z4K-004	RING SET, PISTON (0.50) (TPR)	(1)	1314913
001	13012-ZL0-003	RING SET, PISTON (0.50) (TEIKOKU)	(1)	1314912
001	13012-ZL0-004	RING SET, PISTON (0.50) (NIPPON)	(1)	1314912
001	13013-Z4K-004	RING SET, PISTON (0.75) (TPR)	(1)	1314913
001	13013-ZL0-003	RING SET, PISTON (0.75) (TEIKOKU)	(1)	1314912
001	13013-ZL0-004	RING SET, PISTON (0.75) (NIPPON)	(1)	1314912
002	13101-ZH8-010	PISTON (STD.)	1	1314912
<u>Ref</u>	<u>Partnumber</u>	<u>Description</u>	<u>GX160K1</u>	<u>Serial Numbers</u>
002	13101-ZH8-020	PISTON (STD.)	1	1314913
002	13102-ZH8-010	PISTON (0.25)	(1)	1314912
002	13102-ZH8-020	PISTON (0.25)	(1)	1314913
002	13103-ZH8-010	PISTON (0.50)	(1)	1314912
002	13103-ZH8-020	PISTON (0.50)	(1)	1314913
002	13104-ZH8-010	PISTON (0.75)	(1)	1314912
002	13104-ZH8-020	PISTON (0.75)	(1)	1314913
003	13111-ZE1-000	PIN, PISTON	1	
004	13200-ZE1-010	ROD ASSY., CONNECTING (STD.)	1	1596553
004	13200-ZE1-020	ROD ASSY., CONNECTING (STD.)	1	1596554
005	90001-ZE1-000	BOLT, CONNECTING ROD	2	
006	90551-ZE1-000	CLIP, PISTON PIN, 18MM	2	



Z2F0-E0900



<u>Ref</u>	<u>Partnumber</u>	<u>Description</u>	<u>GX160K1</u>	<u>Serial Numbers</u>
001	12209-ZH8-003	SEAL, VALVE STEM	1	
003	14100-ZH8-690	CAMSHAFT ASSY.	1	
004	14410-ZE1-010	ROD, PUSH	2	
005	14411-ZH7-V91	CHAIN, P.T.O. DRIVE (DID270FH DHA-36LE)	1	
006	14431-ZE1-000	ARM, VALVE ROCKER	2	
007	14441-ZE1-010	LIFTER, VALVE	2	
008	14451-ZE1-013	PIVOT, ROCKER ARM	2	
009	14568-ZE1-000	SPRING, WEIGHT RETURN	1	
010	14711-ZF1-000	VALVE, IN.	1	
011	14721-ZF1-000	VALVE, EX.	1	
012	14751-ZF1-000	SPRING, VALVE	2	
013	14771-ZE1-000	RETAINER, IN. VALVE SPRING	1	
014	14773-ZE1-000	RETAINER, EX. VALVE SPRING	1	
<u>Ref</u>	<u>Partnumber</u>	<u>Description</u>	<u>GX160K1</u>	<u>Serial Numbers</u>
015	14781-ZE1-000	ROTATOR, VALVE	1	
016	14791-ZE1-010	PLATE, PUSH ROD GUIDE	1	
017	90012-ZE0-010	BOLT, PIVOT, 8MM	2	
018	90206-ZE1-000	NUT, PIVOT ADJUSTING	2	