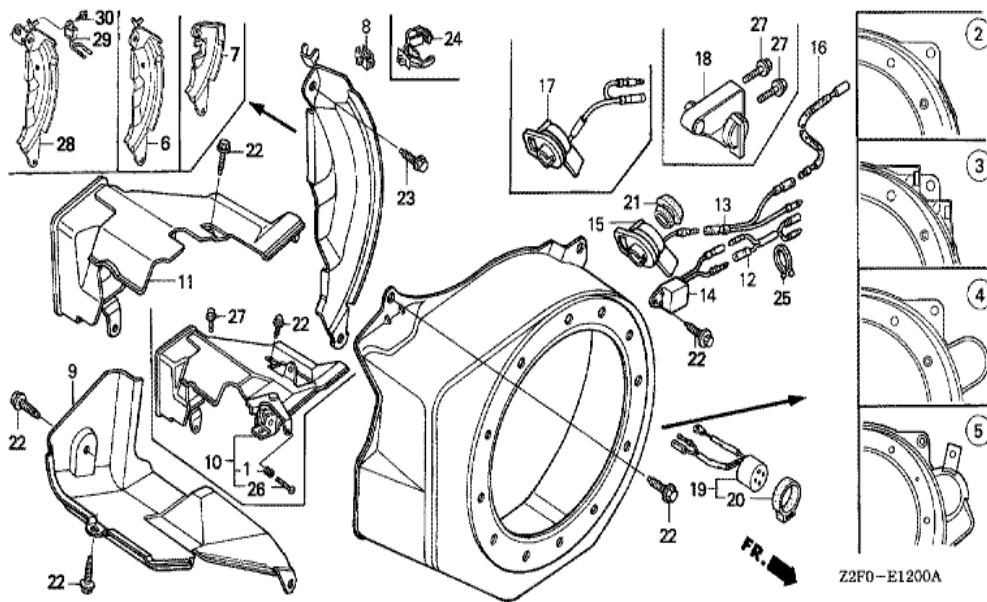


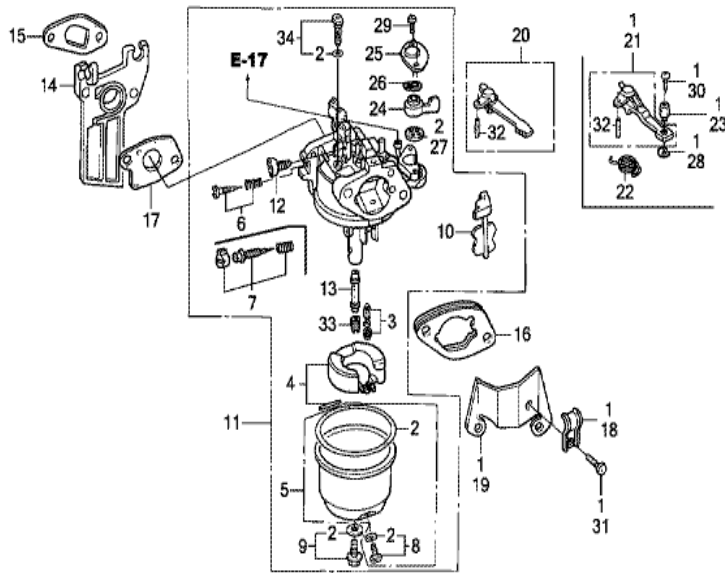
Ref	Partnumber	Description	GX160K1	Serial Numbers
001	28400-Z0T-003ZB	STARTER ASSY., RECOIL *R280*	(1)	1831201
001	28400-ZH8-023YA	STARTER ASSY., RECOIL *R280 *	1	
001	28400-ZH8-023YA	STARTER ASSY., RECOIL *R280 *	(1)	1625955
001	28400-ZH8-033YA	STARTER ASSY., RECOIL *R280*	(1)	1625956
001	28400-ZH8-033YA	STARTER ASSY., RECOIL *R280*	(1)	1625956 1831200
001	28400-ZH8-823ZD	STARTER ASSY., RECOIL (LONG ROPE) *R280	(1)	
001	28400-ZH8-823ZD	STARTER ASSY., RECOIL (LONG ROPE) *R280	(1)	
004	28410-ZH8-003YA	CASE COMP., RECOIL STARTER *R280 *	1	
004	28410-ZH8-003YA	CASE COMP., RECOIL STARTER *R280 *	(1)	
005	28421-Z0T-003	REEL, RECOIL STARTER	(1)	1831201
005	28421-ZH8-801	REEL, RECOIL STARTER (BLACK)	1	1052605
005	28421-ZH8-801	REEL, RECOIL STARTER (BLACK)	(1)	1831200
006	28422-ZH8-801	RATCHET, STARTER	2	

<u>Ref</u>	<u>Partnumber</u>	<u>Description</u>	<u>GX160K1</u>	<u>Serial Numbers</u>
006	28422-ZH8-801	RATCHET, STARTER	(2)	
007	28431-ZH8-801	PLATE, FRICTION	1	
007	28431-ZH8-801	PLATE, FRICTION	(1)	
008	28433-ZH8-801	GUIDE, RATCHET	1	
008	28433-ZH8-801	GUIDE, RATCHET	(1)	
009	28441-ZH8-801	SPRING, FRICTION	1	
009	28441-ZH8-801	SPRING, FRICTION	(1)	
010	28442-ZH8-003	SPRING, RECOIL STARTER	1	
010	28442-ZH8-003	SPRING, RECOIL STARTER	(1)	
011	28443-ZH8-801	SPRING, RETURN	2	
011	28443-ZH8-801	SPRING, RETURN	(2)	
012	28461-ZH8-003	GRIP, STARTER	1	
012	28461-ZH8-003	GRIP, STARTER	(1)	1625955
012	28461-ZH8-013	KNOB, RECOIL STARTER	(1)	1625956
012	28461-ZH8-013	KNOB, RECOIL STARTER	(1)	1625956
013	28462-ZH8-003	ROPE, RECOIL STARTER	1	
013	28462-ZH8-003	ROPE, RECOIL STARTER	(1)	
014	28470-816-000	ROPE, STARTER	(1)	
015	90003-ZH8-801	SCREW, SETTING	1	
015	90003-ZH8-801	SCREW, SETTING	(1)	
016	90008-ZE2-003	BOLT, FLANGE, 6X10	3	
016	90008-ZE2-003	BOLT, FLANGE, 6X10	(3)	



Ref	Partnumber	Description	GX160K1	Serial Numbers
002	19610-ZE1-000ZP	COVER COMP., FAN *R280 *	1	1317119
002	19610-ZE1-000ZP	COVER COMP., FAN *R280 *	(1)	1317119
002	19610-ZE1-010ZP	COVER COMP., FAN *R280 *	1	1317120
002	19610-ZE1-010ZP	COVER COMP., FAN *R280 *	(1)	1317120
004	19610-ZE1-820ZG	COVER COMP., FAN (STARTER MOTOR) *R280 *	1	
004	19610-ZE1-820ZG	COVER COMP., FAN (STARTER MOTOR) *R280 *	(1)	1326972
004	19610-ZE1-821ZG	COVER COMP., FAN (STARTER MOTOR) *R280 *	(1)	1326973
004	19610-ZE1-821ZG	COVER COMP., FAN (STARTER MOTOR) *R280 *	(1)	1326973
005	19610-ZE1-830ZG	COVER COMP., FAN (STARTER MOTOR) *R280 *	1	
005	19610-ZE1-830ZG	COVER COMP., FAN (STARTER MOTOR) *R280 *	(1)	1320273
005	19610-ZE1-831ZG	COVER COMP., FAN (STARTER MOTOR) *R280 *	1	1320274
005	19610-ZE1-831ZG	COVER COMP., FAN (STARTER MOTOR) *R280 *	(1)	1320274
006	19612-ZH8-000	PLATE, SIDE (STD.)	1	

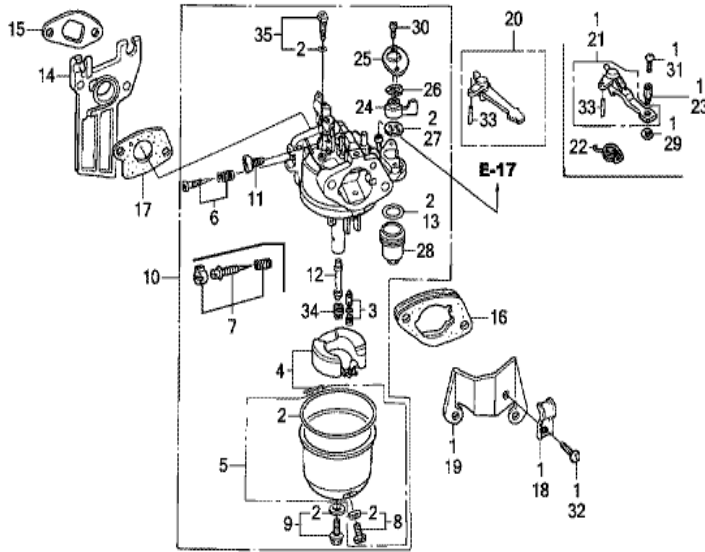
<u>Ref</u>	<u>Partnumber</u>	<u>Description</u>	<u>GX160K1</u>	<u>Serial Numbers</u>
006	19612-ZH8-000	PLATE, SIDE (STD.)	(1)	
006	19612-ZH8-821	PLATE, SIDE (LAMP)	(1)	
006	19612-ZH8-821	PLATE, SIDE (LAMP)	(1)	
007	19612-ZH8-840	PLATE, SIDE (STARTER MOTOR)	1	
007	19612-ZH8-840	PLATE, SIDE (STARTER MOTOR)	(1)	
009	19630-ZH8-000	SHROUD COMP.	1	
009	19630-ZH8-000	SHROUD COMP.	1	
015	36100-ZE1-015	SWITCH ASSY., ENGINE STOP	1	1085499
015	36100-ZE1-015	SWITCH ASSY., ENGINE STOP	(1)	
015	36100-ZH7-003	SWITCH ASSY., ENGINE STOP	1	1061811
015	36100-ZH7-003	SWITCH ASSY., ENGINE STOP	(1)	
022	90013-883-000	BOLT, FLANGE, 6X12 (CT200)	4	
022	90013-883-000	BOLT, FLANGE, 6X12 (CT200)	6	
023	90121-952-000	BOLT, FLANGE, 6X25 (CT200)	1	
023	90121-952-000	BOLT, FLANGE, 6X25 (CT200)	1	
024	90601-ZH7-013	CLIP, HARNESS	1	
024	90601-ZH7-013	CLIP, HARNESS	(1)	
028	19611-ZH8-810	PLATE COMP., SIDE (OIL ALERT)	1	
028	19611-ZH8-810	PLATE COMP., SIDE (OIL ALERT)	(1)	
028	19611-ZH8-820	PLATE COMP., SIDE (ALERT & LAMP)	(1)	
028	19611-ZH8-820	PLATE COMP., SIDE (ALERT & LAMP)	(1)	
029	34150-ZH7-003	ALERT UNIT, OIL	1	
029	34150-ZH7-003	ALERT UNIT, OIL	(1)	
030	95701-0600800	BOLT, FLANGE, 6X8	1	
030	95701-0600800	BOLT, FLANGE, 6X8	(1)	



FR. →
Z2F0E1400A

Ref	Partnumber	Description	GX160K1	Serial Numbers
001	06164-ZE1-000	CHOKE KIT, REMOTE CONTROL	(1)	
002	16010-ZE0-025	GASKET SET	1	
002	16010-ZE0-025	GASKET SET	(1)	
003	16011-ZE0-005	VALVE SET, FLOAT	1	
003	16011-ZE0-005	VALVE SET, FLOAT	(1)	
004	16013-ZE0-005	FLOAT SET	1	
004	16013-ZE0-005	FLOAT SET	(1)	
005	16015-ZE0-831	CHAMBER SET, FLOAT	1	
005	16015-ZE0-831	CHAMBER SET, FLOAT	(1)	
006	16016-ZE0-005	SCREW SET, PILOT	1	
006	16016-ZE0-005	SCREW SET, PILOT	(1)	
008	16024-ZE1-811	SCREW SET, DRAIN	1	
008	16024-ZE1-811	SCREW SET, DRAIN	(1)	

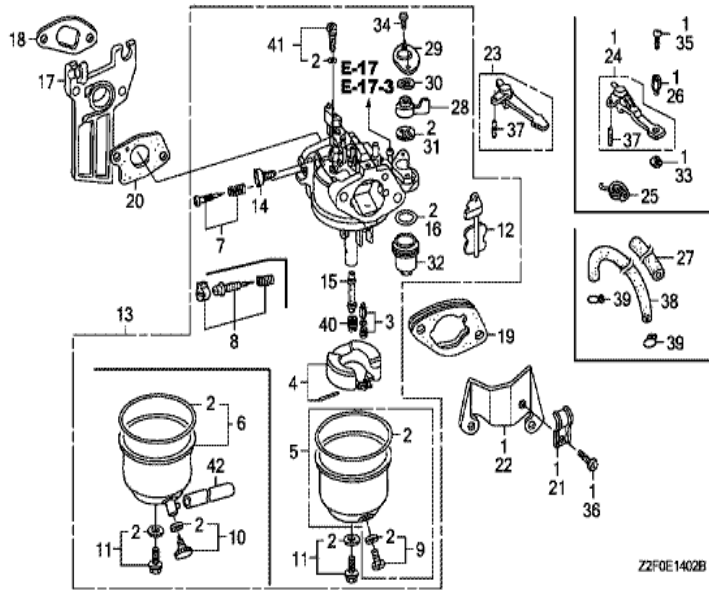
<u>Ref</u>	<u>Partnumber</u>	<u>Description</u>	<u>GX160K1</u>	<u>Serial Numbers</u>
009	16028-ZE0-005	SCREW SET	1	
009	16028-ZE0-005	SCREW SET	(1)	
010	16044-ZE0-005	CHOKE SET	1	
010	16044-ZE0-005	CHOKE SET	(1)	
011	16100-ZH8-812	CARBURETOR ASSY. (BE06H C)	1	
011	16100-ZH8-812	CARBURETOR ASSY. (BE06H C)	(1)	
012	16124-ZE0-005	SCREW, THROTTLE STOP	1	
012	16124-ZE0-005	SCREW, THROTTLE STOP	(1)	
013	16166-ZH8-W50	NOZZLE, MAIN	1	
013	16166-ZH8-W50	NOZZLE, MAIN	(1)	
014	16211-ZE1-000	INSULATOR, CARBURETOR	1	
015	16212-ZH8-800	PACKING, INSULATOR	1	
015	16212-ZH8-800	PACKING, INSULATOR	(1)	
016	16220-ZE1-020	SPACER COMP., CARBURETOR	1	
017	16221-ZH8-801	PACKING, CARBURETOR	1	
017	16221-ZH8-801	PACKING, CARBURETOR	(1)	
018	16582-883-300	HOLDER, CONTROL CABLE	1	
018	16582-883-300	HOLDER, CONTROL CABLE	(1)	
019	16598-ZE1-000	STAY, CHOKE CONTROL	1	
019	16598-ZE1-000	STAY, CHOKE CONTROL	(1)	
020	16610-ZE1-000	LEVER COMP., CHOKE (STD.)	1	
020	16610-ZE1-000	LEVER COMP., CHOKE (STD.)	(1)	
021	16610-ZE1-810	LEVER COMP., CHOKE (REMOTE)	1	
021	16610-ZE1-810	LEVER COMP., CHOKE (REMOTE)	(1)	
022	16615-ZE1-010	SPRING, RETURN	1	
022	16615-ZE1-010	SPRING, RETURN	(1)	
023	16617-890-010	HOLDER, CABLE	1	
023	16617-890-010	HOLDER, CABLE	(1)	
024	16953-ZE1-812	LEVER, COCK	1	
024	16953-ZE1-812	LEVER, COCK	(1)	
025	16954-ZE1-812	PLATE, LEVER SETTING	1	
025	16954-ZE1-812	PLATE, LEVER SETTING	(1)	
026	16956-ZE1-811	SPRING, COCK LEVER	1	
<u>Ref</u>	<u>Partnumber</u>	<u>Description</u>	<u>GX160K1</u>	<u>Serial Numbers</u>
026	16956-ZE1-811	SPRING, COCK LEVER	(1)	
027	16957-ZE1-812	PACKING, FUEL COCK	1	
027	16957-ZE1-812	PACKING, FUEL COCK	(1)	
028	90605-230-000	CIRCLIP, 5MM	1	
028	90605-230-000	CIRCLIP, 5MM	(1)	
029	93500-030061H	SCREW, PAN, 3X6	2	
029	93500-030061H	SCREW, PAN, 3X6	(2)	
030	93500-040080A	SCREW, PAN, 4X8	1	
030	93500-040080A	SCREW, PAN, 4X8	(1)	
031	93500-050080A	SCREW, PAN, 5X8	1	
031	93500-050080A	SCREW, PAN, 5X8	(1)	
032	94305-20122	PIN, SPRING, 2X12	1	
032	94305-20122	PIN, SPRING, 2X12	(1)	
033	99101-ZH80650	JET, MAIN, #65	(1)	
033	99101-ZH80680	JET, MAIN, #68	(1)	
033	99101-ZH80700	JET, MAIN, #70	1	
033	99101-ZH80700	JET, MAIN, #70	(1)	
034	99204-ZE00350	JET SET, PILOT, #35	1	
034	99204-ZE00350	JET SET, PILOT, #35	(1)	



FR.
Z2F0E1401A

Ref	Partnumber	Description	GX160K1	Serial Numbers
001	06164-ZE1-000	CHOKE KIT, REMOTE CONTROL	(1)	
002	16010-ZE1-812	GASKET SET	1	
002	16010-ZE1-812	GASKET SET	(1)	
003	16011-ZE0-005	VALVE SET, FLOAT	1	
003	16011-ZE0-005	VALVE SET, FLOAT	(1)	
004	16013-ZE0-005	FLOAT SET	1	
004	16013-ZE0-005	FLOAT SET	(1)	
005	16015-ZE0-831	CHAMBER SET, FLOAT	1	
005	16015-ZE0-831	CHAMBER SET, FLOAT	(1)	
006	16016-ZE0-005	SCREW SET, PILOT	(1)	BE11C B
007	16016-ZH7-W01	SCREW SET, PILOT	1	
007	16016-ZH7-W01	SCREW SET, PILOT	(1)	BE11C C
008	16024-ZE1-811	SCREW SET, DRAIN	1	

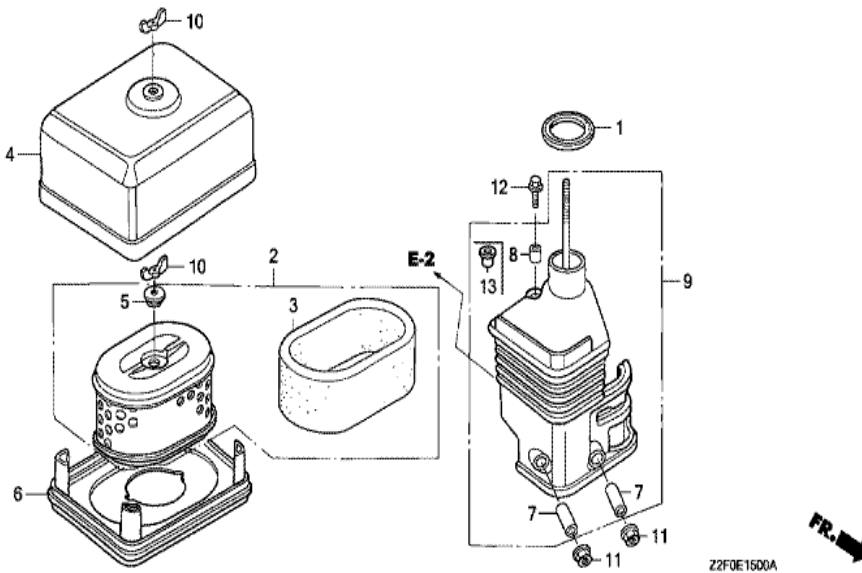
<u>Ref</u>	<u>Partnumber</u>	<u>Description</u>	<u>GX160K1</u>	<u>Serial Numbers</u>
008	16024-ZE1-811	SCREW SET, DRAIN	(1)	
009	16028-ZE0-005	SCREW SET	1	
009	16028-ZE0-005	SCREW SET	(1)	
010	16100-ZH8-801	CARBURETOR ASSY. (BE11C B)	(1)	1001091
010	16100-ZH8-802	CARBURETOR ASSY. (BE11C C)	1	
010	16100-ZH8-802	CARBURETOR ASSY. (BE11C C)	(1)	1001092
011	16124-ZE0-005	SCREW, THROTTLE STOP	1	
011	16124-ZE0-005	SCREW, THROTTLE STOP	(1)	
012	16166-ZH8-800	NOZZLE, MAIN	1	
012	16166-ZH8-800	NOZZLE, MAIN	(1)	
013	16173-001-004	PACKING, FUEL STRAINER CUP	1	
013	16173-001-004	PACKING, FUEL STRAINER CUP	(1)	
014	16211-ZE1-000	INSULATOR, CARBURETOR	1	
014	16211-ZE1-000	INSULATOR, CARBURETOR	(1)	
015	16212-ZH8-800	PACKING, INSULATOR	1	
015	16212-ZH8-800	PACKING, INSULATOR	(1)	
016	16220-ZE1-020	SPACER COMP., CARBURETOR	1	
016	16220-ZE1-020	SPACER COMP., CARBURETOR	(1)	
017	16221-ZH8-801	PACKING, CARBURETOR	1	
017	16221-ZH8-801	PACKING, CARBURETOR	(1)	
018	16582-883-300	HOLDER, CONTROL CABLE	(1)	
019	16598-ZE1-000	STAY, CHOKE CONTROL	(1)	
020	16610-ZE1-000	LEVER COMP., CHOKE (STD.)	1	
020	16610-ZE1-000	LEVER COMP., CHOKE (STD.)	(1)	
021	16610-ZE1-810	LEVER COMP., CHOKE (REMOTE)	(1)	
022	16615-ZE1-010	SPRING, RETURN	(1)	
023	16617-890-010	HOLDER, CABLE	(1)	
024	16953-ZE1-812	LEVER, COCK	1	
024	16953-ZE1-812	LEVER, COCK	(1)	
025	16954-ZE1-812	PLATE, LEVER SETTING	1	
025	16954-ZE1-812	PLATE, LEVER SETTING	(1)	
026	16956-ZE1-811	SPRING, COCK LEVER	1	
026	16956-ZE1-811	SPRING, COCK LEVER	(1)	
<u>Ref</u>	<u>Partnumber</u>	<u>Description</u>	<u>GX160K1</u>	<u>Serial Numbers</u>
027	16957-ZE1-812	PACKING, FUEL COCK	1	
027	16957-ZE1-812	PACKING, FUEL COCK	(1)	
028	16967-ZE0-811	CUP, FUEL STRAINER	1	
028	16967-ZE0-811	CUP, FUEL STRAINER	(1)	
029	90605-230-000	CIRCLIP, 5MM	1	
029	90605-230-000	CIRCLIP, 5MM	(1)	
030	93500-030061H	SCREW, PAN, 3X6	2	
030	93500-030061H	SCREW, PAN, 3X6	(2)	
031	93500-040080A	SCREW, PAN, 4X8	(1)	
032	93500-050080A	SCREW, PAN, 5X8	(1)	
033	94305-20122	PIN, SPRING, 2X12	1	
033	94305-20122	PIN, SPRING, 2X12	(1)	
034	99101-ZH80620	JET, MAIN, #62	(1)	
034	99101-ZH80650	JET, MAIN, #65	(1)	
034	99101-ZH80650	JET, MAIN, #65	(1)	
034	99101-ZH80680	JET, MAIN, #68	(1)	
034	99101-ZH80680	JET, MAIN, #68	(1)	
035	99204-ZE00380	JET SET, PILOT, #38	1	
035	99204-ZE00380	JET SET, PILOT, #38	(1)	



Ref	Partnumber	Description	GX160K1	Serial Numbers
001	06164-ZE1-000	CHOKE KIT, REMOTE CONTROL	1	
001	06164-ZE1-000	CHOKE KIT, REMOTE CONTROL	(1)	
002	16010-ZE1-812	GASKET SET	1	
002	16010-ZE1-812	GASKET SET	(1)	
003	16011-ZE0-005	VALVE SET, FLOAT	1	
003	16011-ZE0-005	VALVE SET, FLOAT	(1)	
004	16013-ZE0-005	FLOAT SET	1	
004	16013-ZE0-005	FLOAT SET	(1)	
005	16015-ZE0-831	CHAMBER SET, FLOAT	1	
005	16015-ZE0-831	CHAMBER SET, FLOAT	(1)	
007	16016-ZE0-005	SCREW SET, PILOT	1	
007	16016-ZE0-005	SCREW SET, PILOT	(1)	
009	16024-ZE1-811	SCREW SET, DRAIN	1	

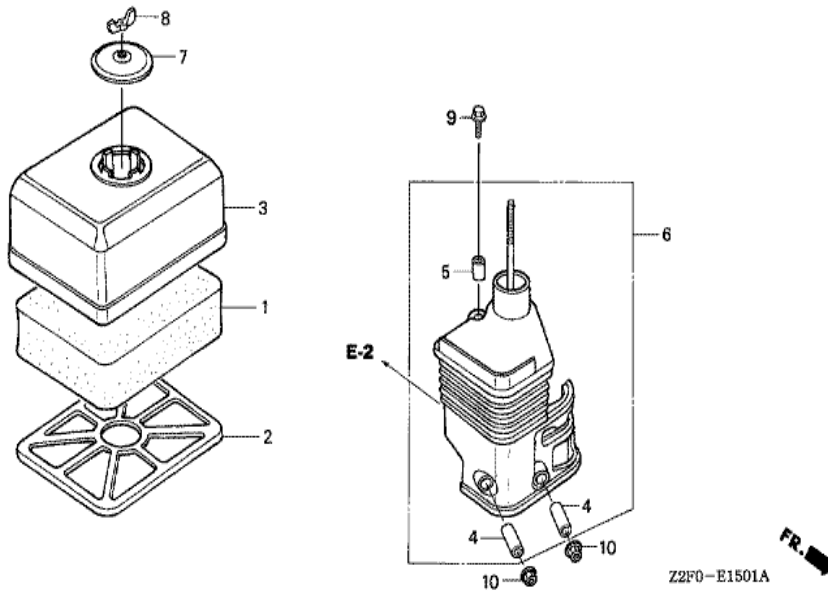
<u>Ref</u>	<u>Partnumber</u>	<u>Description</u>	<u>GX160K1</u>	<u>Serial Numbers</u>
009	16024-ZE1-811	SCREW SET, DRAIN	(1)	
011	16028-ZE0-005	SCREW SET	1	
011	16028-ZE0-005	SCREW SET	(1)	
012	16044-ZE0-005	CHOKE SET	1	
012	16044-ZE0-005	CHOKE SET	(1)	
013	16100-ZH8-822	CARBURETOR ASSY. (BE06J C)	(1)	
013	16100-ZH8-822	CARBURETOR ASSY. (BE06J C)	(1)	
014	16124-ZE0-005	SCREW, THROTTLE STOP	1	
014	16124-ZE0-005	SCREW, THROTTLE STOP	(1)	
015	16166-ZH8-W50	NOZZLE, MAIN	(1)	
015	16166-ZH8-W50	NOZZLE, MAIN	(1)	
016	16173-001-004	PACKING, FUEL STRAINER CUP	1	
016	16173-001-004	PACKING, FUEL STRAINER CUP	(1)	
017	16211-ZE1-000	INSULATOR, CARBURETOR	1	
018	16212-ZH8-800	PACKING, INSULATOR	1	
018	16212-ZH8-800	PACKING, INSULATOR	(1)	
019	16220-ZE1-020	SPACER COMP., CARBURETOR	1	
020	16221-ZH8-801	PACKING, CARBURETOR	1	
020	16221-ZH8-801	PACKING, CARBURETOR	(1)	
021	16582-883-300	HOLDER, CONTROL CABLE	1	
021	16582-883-300	HOLDER, CONTROL CABLE	(1)	
022	16598-ZE1-000	STAY, CHOKE CONTROL	1	
022	16598-ZE1-000	STAY, CHOKE CONTROL	(1)	
023	16610-ZE1-000	LEVER COMP., CHOKE (STD.)	1	
023	16610-ZE1-000	LEVER COMP., CHOKE (STD.)	(1)	
024	16610-ZE1-810	LEVER COMP., CHOKE (REMOTE)	1	
024	16610-ZE1-810	LEVER COMP., CHOKE (REMOTE)	(1)	
025	16615-ZE1-010	SPRING, RETURN	1	
025	16615-ZE1-010	SPRING, RETURN	(1)	
026	16617-890-010	HOLDER, CABLE	1	
026	16617-890-010	HOLDER, CABLE	(1)	
027	16854-ZG0-960	RUBBER, SUPPORTER	1	
027	16854-ZG0-960	RUBBER, SUPPORTER	(1)	

<u>Ref</u>	<u>Partnumber</u>	<u>Description</u>	<u>GX160K1</u>	<u>Serial Numbers</u>
028	16953-ZE1-812	LEVER, COCK	1	
028	16953-ZE1-812	LEVER, COCK	(1)	
029	16954-ZE1-812	PLATE, LEVER SETTING	1	
029	16954-ZE1-812	PLATE, LEVER SETTING	(1)	
030	16956-ZE1-811	SPRING, COCK LEVER	1	
030	16956-ZE1-811	SPRING, COCK LEVER	(1)	
031	16957-ZE1-812	PACKING, FUEL COCK	1	
031	16957-ZE1-812	PACKING, FUEL COCK	(1)	
032	16967-ZE0-811	CUP, FUEL STRAINER	1	
032	16967-ZE0-811	CUP, FUEL STRAINER	(1)	
033	90605-230-000	CIRCLIP, 5MM	1	
033	90605-230-000	CIRCLIP, 5MM	(1)	
034	93500-030061H	SCREW, PAN, 3X6	2	
034	93500-030061H	SCREW, PAN, 3X6	(2)	
035	93500-040080A	SCREW, PAN, 4X8	1	
035	93500-040080A	SCREW, PAN, 4X8	(1)	
036	93500-050080A	SCREW, PAN, 5X8	1	
036	93500-050080A	SCREW, PAN, 5X8	(1)	
037	94305-20122	PIN, SPRING, 2X12	1	
037	94305-20122	PIN, SPRING, 2X12	(1)	
040	99101-ZH80650	JET, MAIN, #65	(1)	
040	99101-ZH80650	JET, MAIN, #65	(1)	
040	99101-ZH80680	JET, MAIN, #68	(1)	
040	99101-ZH80680	JET, MAIN, #68	(1)	
040	99101-ZH80700	JET, MAIN, #70	(1)	
040	99101-ZH80700	JET, MAIN, #70	(1)	
041	99204-ZE00350	JET SET, PILOT, #35	1	
041	99204-ZE00350	JET SET, PILOT, #35	(1)	



ZZF0E1500A

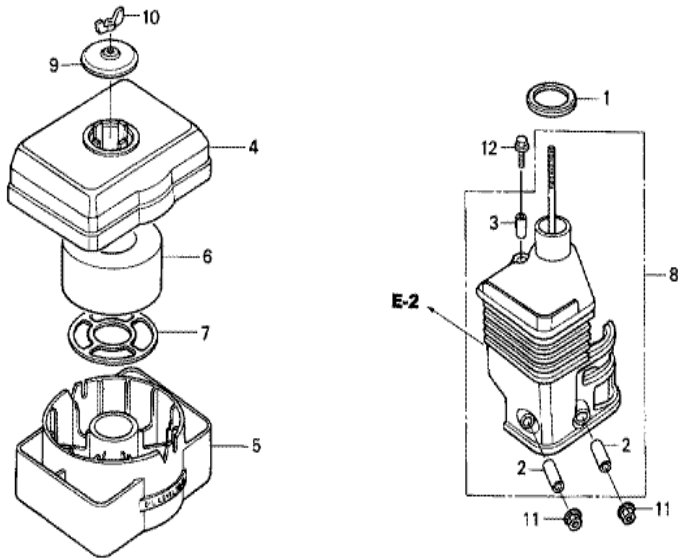
<u>Ref</u>	<u>Partnumber</u>	<u>Description</u>	<u>GX160K1</u>	<u>Serial Numbers</u>
001	16271-ZE1-000	PACKING, ELBOW	1	
001	16271-ZE1-000	PACKING, ELBOW	(1)	
002	17210-ZE1-822	ELEMENT, AIR CLEANER (DUAL)	1	
002	17210-ZE1-822	ELEMENT, AIR CLEANER (DUAL)	(1)	
003	17218-ZE1-821	FILTER, OUTER	1	
003	17218-ZE1-821	FILTER, OUTER	(1)	
004	17230-ZE1-820	COVER, AIR CLEANER (DUAL)	1	
004	17230-ZE1-820	COVER, AIR CLEANER (DUAL)	(1)	
005	17232-891-000	GROMMET, AIR CLEANER	1	
005	17232-891-000	GROMMET, AIR CLEANER	(1)	
006	17235-ZE1-831	NOSE, SILENCER	1	
006	17235-ZE1-831	NOSE, SILENCER	(1)	
007	17238-ZE7-010	COLLAR, AIR CLEANER	2	
<u>Ref</u>	<u>Partnumber</u>	<u>Description</u>	<u>GX160K1</u>	<u>Serial Numbers</u>
007	17238-ZE7-010	COLLAR, AIR CLEANER	(2)	
008	17239-ZE1-000	COLLAR B, AIR CLEANER	1	
008	17239-ZE1-000	COLLAR B, AIR CLEANER	(1)	
009	17410-ZE1-020	ELBOW COMP., AIR CLEANER	1	
009	17410-ZE1-020	ELBOW COMP., AIR CLEANER	(1)	
010	90325-044-000	NUT, TOOL BOX SETTING	2	
010	90325-044-000	NUT, TOOL BOX SETTING	(2)	
011	94050-06000	NUT, FLANGE, 6MM	2	
012	95701-0602000	BOLT, FLANGE, 6X20	1	



Z2F0-E1501A



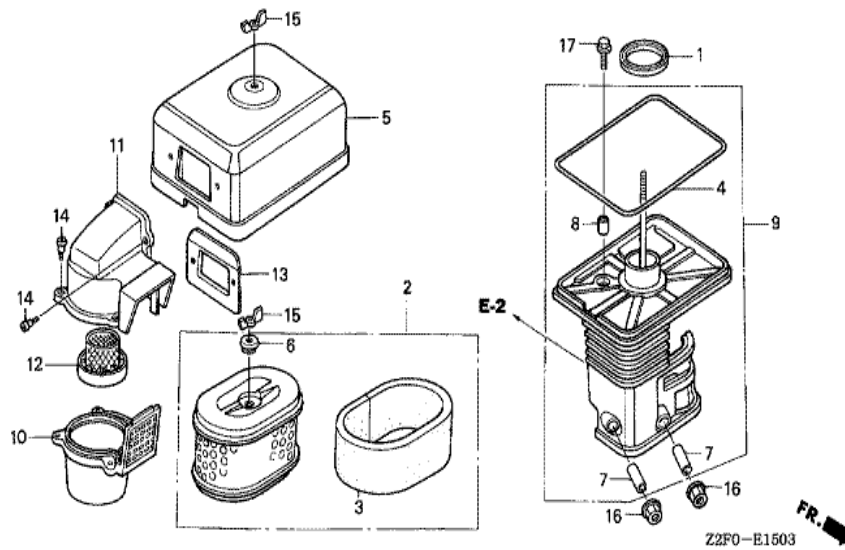
<u>Ref</u>	<u>Partnumber</u>	<u>Description</u>	<u>GX160K1</u>	<u>Serial Numbers</u>
001	17211-ZE1-000	ELEMENT, AIR CLEANER (SEMI DRY)	1	
001	17211-ZE1-000	ELEMENT, AIR CLEANER (SEMI DRY)	(1)	
002	17212-ZE1-000	GRID, AIR CLEANER (SEMI DRY)	1	
002	17212-ZE1-000	GRID, AIR CLEANER (SEMI DRY)	(1)	
003	17231-ZE1-000	COVER, AIR CLEANER (SEMI DRY)	1	
003	17231-ZE1-000	COVER, AIR CLEANER (SEMI DRY)	(1)	
004	17238-ZE7-010	COLLAR, AIR CLEANER	2	
004	17238-ZE7-010	COLLAR, AIR CLEANER	(2)	
005	17239-ZE1-000	COLLAR B, AIR CLEANER	1	
005	17239-ZE1-000	COLLAR B, AIR CLEANER	(1)	
006	17410-ZE1-020	ELBOW COMP., AIR CLEANER	1	
006	17410-ZE1-020	ELBOW COMP., AIR CLEANER	(1)	
007	17421-ZE1-000	CAP, CLEANER	1	
<u>Ref</u>	<u>Partnumber</u>	<u>Description</u>	<u>GX160K1</u>	<u>Serial Numbers</u>
007	17421-ZE1-000	CAP, CLEANER	(1)	
008	90325-044-000	NUT, TOOL BOX SETTING	1	
008	90325-044-000	NUT, TOOL BOX SETTING	(1)	
009	95701-0602000	BOLT, FLANGE, 6X20	1	
010	94050-06000	NUT, FLANGE, 6MM	2	



Z2F0-E1502

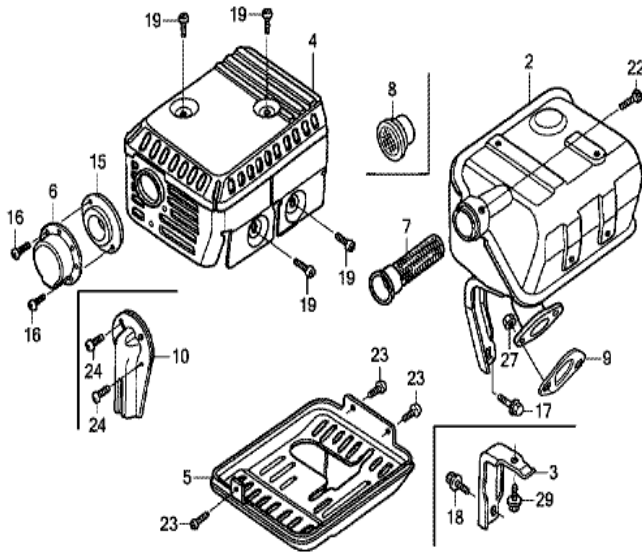
FR. →

<u>Ref</u>	<u>Partnumber</u>	<u>Description</u>	<u>GX160K1</u>	<u>Serial Numbers</u>
001	16271-ZE1-000	PACKING, ELBOW	1	
001	16271-ZE1-000	PACKING, ELBOW	(1)	
002	17238-ZE7-010	COLLAR, AIR CLEANER	2	
002	17238-ZE7-010	COLLAR, AIR CLEANER	(2)	
003	17239-ZE1-000	COLLAR B, AIR CLEANER	1	
003	17239-ZE1-000	COLLAR B, AIR CLEANER	(1)	
004	17401-ZE1-810	BODY, CLEANER (OIL BATH)	1	
004	17401-ZE1-810	BODY, CLEANER (OIL BATH)	(1)	
005	17402-ZE1-810	PAN, CLEANER OIL (OIL BATH)	1	
005	17402-ZE1-810	PAN, CLEANER OIL (OIL BATH)	(1)	
006	17403-ZE1-810	ELEMENT, AIR CLEANER (OIL BATH)	1	
006	17403-ZE1-810	ELEMENT, AIR CLEANER (OIL BATH)	(1)	
007	17404-841-000	GRID, AIR CLEANER	1	
<u>Ref</u>	<u>Partnumber</u>	<u>Description</u>	<u>GX160K1</u>	<u>Serial Numbers</u>
007	17404-841-000	GRID, AIR CLEANER	(1)	
008	17410-ZE1-020	ELBOW COMP., AIR CLEANER	1	
008	17410-ZE1-020	ELBOW COMP., AIR CLEANER	(1)	
009	17421-ZE1-000	CAP, CLEANER	1	
009	17421-ZE1-000	CAP, CLEANER	(1)	
010	90325-044-000	NUT, TOOL BOX SETTING	1	
010	90325-044-000	NUT, TOOL BOX SETTING	(1)	
011	94050-06000	NUT, FLANGE, 6MM	2	
012	95701-0602000	BOLT, FLANGE, 6X20	1	



Ref	Partnumber	Description	GX160K1	Serial Numbers
001	16271-ZE1-000	PACKING, ELBOW	1	
001	16271-ZE1-000	PACKING, ELBOW	(1)	
002	17210-ZE1-822	ELEMENT, AIR CLEANER (DUAL)	1	
002	17210-ZE1-822	ELEMENT, AIR CLEANER (DUAL)	(1)	
003	17218-ZE1-821	FILTER, OUTER	1	
003	17218-ZE1-821	FILTER, OUTER	(1)	
004	17219-733-010	PACKING, AIR CLEANER COVER	1	
004	17219-733-010	PACKING, AIR CLEANER COVER	(1)	
005	17230-ZE1-841	COVER, AIR CLEANER (CYCLONE)	1	
005	17230-ZE1-841	COVER, AIR CLEANER (CYCLONE)	(1)	
006	17232-891-000	GROMMET, AIR CLEANER	1	
006	17232-891-000	GROMMET, AIR CLEANER	(1)	
007	17238-ZE7-010	COLLAR, AIR CLEANER	2	

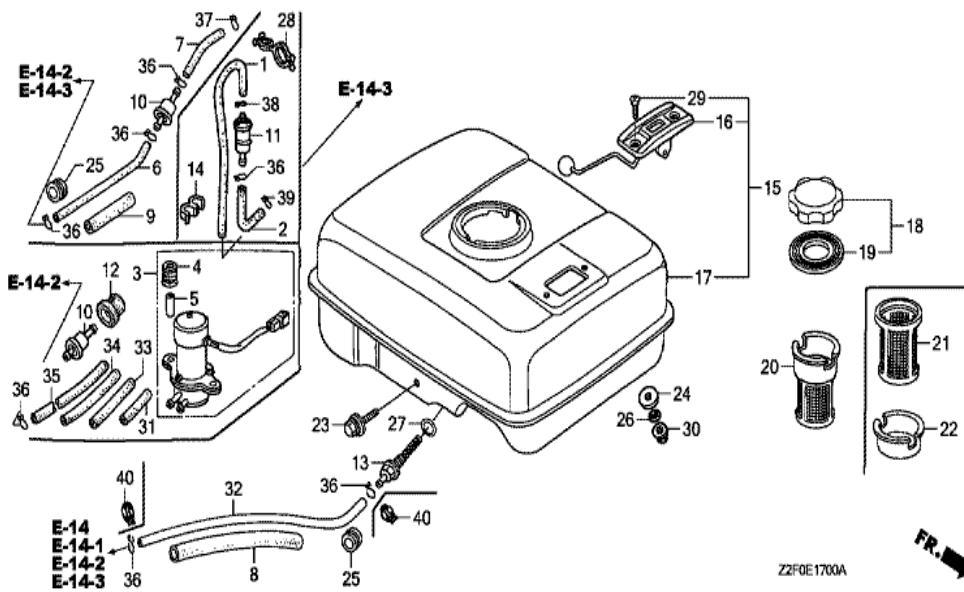
<u>Ref</u>	<u>Partnumber</u>	<u>Description</u>	<u>GX160K1</u>	<u>Serial Numbers</u>
007	17238-ZE7-010	COLLAR, AIR CLEANER	(2)	
008	17239-733-000	COLLAR B, AIR CLEANER	1	
008	17239-733-000	COLLAR B, AIR CLEANER	(1)	
009	17410-ZE1-840	ELBOW COMP., AIR CLEANER	1	
009	17410-ZE1-840	ELBOW COMP., AIR CLEANER	(1)	
010	17470-ZE1-842	CASE, PRE AIR CLEANER	1	
010	17470-ZE1-842	CASE, PRE AIR CLEANER	(1)	
011	17475-ZE1-841	CAP, PRE AIR CLEANER	1	
011	17475-ZE1-841	CAP, PRE AIR CLEANER	(1)	
012	17476-ZE1-841	GUIDE, PRE AIR CLEANER	1	
012	17476-ZE1-841	GUIDE, PRE AIR CLEANER	(1)	
013	17478-ZE1-841	PLATE, PRE AIR CLEANER	1	
013	17478-ZE1-841	PLATE, PRE AIR CLEANER	(1)	
014	90300-GB0-900	BOLT, MUDGUARD	5	
014	90300-GB0-900	BOLT, MUDGUARD	(5)	
015	90325-044-000	NUT, TOOL BOX SETTING	2	
015	90325-044-000	NUT, TOOL BOX SETTING	(2)	
016	94050-06000	NUT, FLANGE, 6MM	2	
017	95701-0602000	BOLT, FLANGE, 6X20	1	



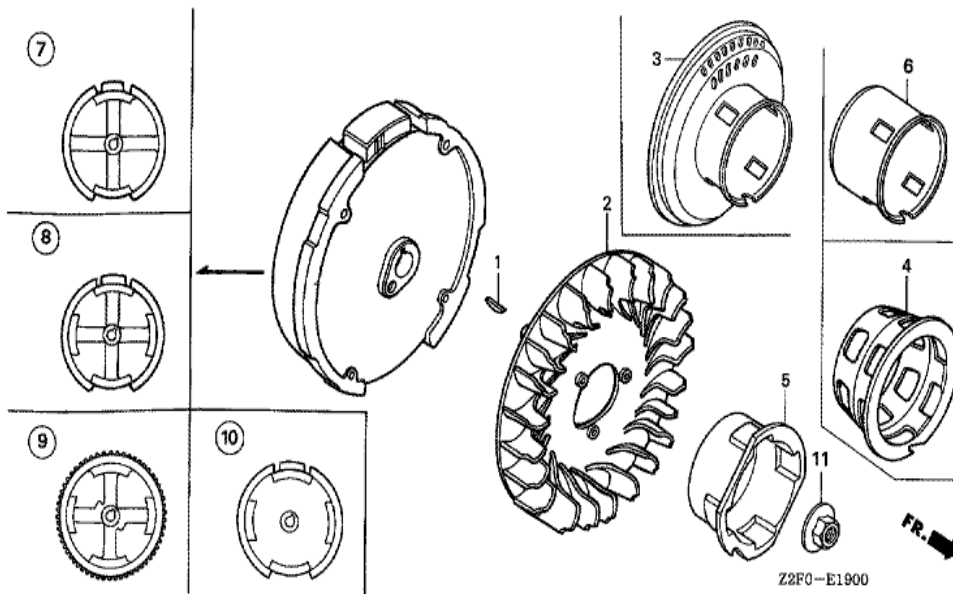
FR. →
Z2F0E1600A

Ref	Partnumber	Description	GX160K1	Serial Numbers
002	18310-ZE1-821	MUFFLER COMP. (SILENT)	(1)	
002	18310-ZE1-821	MUFFLER COMP. (SILENT)	(1)	
002	18310-ZE1-900	MUFFLER COMP.	(1)	
002	18310-ZE1-900	MUFFLER COMP.	(1)	
002	18310-ZF1-000	MUFFLER COMP. (STD.)	(1)	
002	18310-ZF1-000	MUFFLER COMP. (STD.)	(1)	
002	18310-ZH8-810	MUFFLER COMP. (ARRESTER)	(1)	
002	18310-ZH8-810	MUFFLER COMP. (ARRESTER)	(1)	
003	18315-ZE1-000	STAY, MUFFLER	1	
003	18315-ZE1-000	STAY, MUFFLER	(1)	
004	18320-ZF1-H01	PROTECTOR, MUFFLER (STD.) (BLACK)	1	
004	18320-ZF1-H01	PROTECTOR, MUFFLER (STD.) (BLACK)	(1)	1626121
004	18320-ZF1-H02	PROTECTOR, MUFFLER (STD.) (BLACK)	(1)	1626122

<u>Ref</u>	<u>Partnumber</u>	<u>Description</u>	<u>GX160K1</u>	<u>Serial Numbers</u>
004	18320-ZF1-H02	PROTECTOR, MUFFLER (STD.) (BLACK)	(1)	1626122
004	18320-ZF1-H51	PROTECTOR, MUFFLER (SILENT)	1	1635603
004	18320-ZF1-H51	PROTECTOR, MUFFLER (SILENT)	(1)	
005	18325-ZE1-010	PROTECTOR, LOWER	1	
005	18325-ZE1-010	PROTECTOR, LOWER	(1)	
006	18331-883-810	CAP, MUFFLER	1	
006	18331-883-810	CAP, MUFFLER	(1)	
006	18340-ZE1-010	DEFLECTOR COMP.	(1)	
006	18340-ZE1-010	DEFLECTOR COMP.	(1)	
007	18355-ZE1-000	ARRESTER, SPARK	1	
007	18355-ZE1-000	ARRESTER, SPARK	(1)	
007	18355-ZE1-810	ARRESTER, SPARK (SILENT)	1	1007811
007	18355-ZE1-810	ARRESTER, SPARK (SILENT)	(1)	
009	18381-ZH8-800	GASKET, MUFFLER	1	
009	18381-ZH8-800	GASKET, MUFFLER	(1)	
015	18522-ZE1-000	GUIDE, MUFFLER	1	
015	18522-ZE1-000	GUIDE, MUFFLER	(1)	
016	90002-ZG0-003	SCREW, TAPPING, 4X8	2	
016	90002-ZG0-003	SCREW, TAPPING, 4X8	(2)	
016	90055-ZE1-000	SCREW, TAPPING, 4X6	(2)	
016	90055-ZE1-000	SCREW, TAPPING, 4X6	(2)	
018	90016-ZE1-000	BOLT, FLANGE, 6X13 (CT200)	1	
018	90016-ZE1-000	BOLT, FLANGE, 6X13 (CT200)	(1)	
019	90050-ZE1-000	SCREW, TAPPING, 5X8	4	
019	90050-ZE1-000	SCREW, TAPPING, 5X8	(4)	
022	90056-ZL0-000	SCREW, TAPPING, 4X6	(1)	
022	90056-ZL0-000	SCREW, TAPPING, 4X6	(1)	
023	90055-ZE1-000	SCREW, TAPPING, 4X6	3	
023	90055-ZE1-000	SCREW, TAPPING, 4X6	(3)	
027	94001-080000S	NUT, HEX., 8MM	2	
029	95701-0601200	BOLT, FLANGE, 6X12	1	
029	95701-0601200	BOLT, FLANGE, 6X12	(1)	

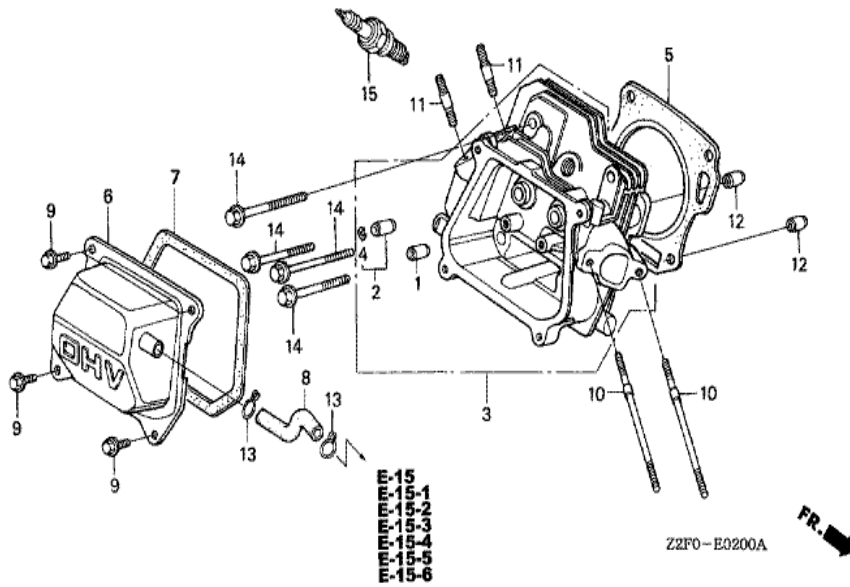


Ref	Partnumber	Description	GX160K1	Serial Numbers
008	16854-ZH8-000	RUBBER, SUPPORTER (107MM)	1	
008	16854-ZH8-000	RUBBER, SUPPORTER (107MM)	(1)	
013	16955-ZE1-000	JOINT, FUEL TANK	1	
013	16955-ZE1-000	JOINT, FUEL TANK	(1)	
015	17500-ZE1-813ZA	TANK ASSY., FUEL (GAUGE) *NH31 *	1	
015	17500-ZE1-813ZA	TANK ASSY., FUEL (GAUGE) *NH31 *	(1)	
016	17505-ZE1-013	GAUGE ASSY., FUEL	1	
016	17505-ZE1-013	GAUGE ASSY., FUEL	(1)	
017	17510-ZE1-020ZA	TANK COMP., FUEL *NH31 *	1	
017	17510-ZE1-020ZA	TANK COMP., FUEL *NH31 *	(1)	1342707
017	17510-ZE1-030ZA	TANK COMP., FUEL *NH31 *	1	1342708
017	17510-ZE1-030ZA	TANK COMP., FUEL *NH31 *	(1)	1342708
018	17620-Z0T-305	CAP COMP., FUEL FILLER (CHROME PLATED)	1	
<u>Ref</u>	<u>Partnumber</u>	<u>Description</u>	<u>GX160K1</u>	<u>Serial Numbers</u>
018	17620-Z0T-305	CAP COMP., FUEL FILLER (CHROME PLATED)	(1)	
019	17631-Z0T-812	PACKING, FUEL FILLER CAP (39X62X3) (TOUY	1	
019	17631-Z0T-812	PACKING, FUEL FILLER CAP (39X62X3) (TOUY	(1)	
020	17672-ZE2-W01	FILTER, FUEL	(1)	
020	17672-ZE2-W01	FILTER, FUEL	(1)	
023	90004-ZH7-003	BOLT, FLANGE, 6X29	1	
023	90004-ZH7-003	BOLT, FLANGE, 6X29	(1)	
027	91353-671-004	O-RING, 14MM (NOK)	1	
027	91353-671-004	O-RING, 14MM (NOK)	(1)	
029	93600-050100A	SCREW, FLAT, 5X10	2	
029	93600-050100A	SCREW, FLAT, 5X10	(2)	
030	94050-06000	NUT, FLANGE, 6MM	2	
030	94050-06000	NUT, FLANGE, 6MM	(2)	
032	95001-4514040	TUBE, FUEL, 4.5X140 (95001-45001-60M)	(1)	
032	95001-4514040	TUBE, FUEL, 4.5X140 (95001-45001-60M)	(1)	
036	95002-02080	CLIP, TUBE (B8)	1	
036	95002-02080	CLIP, TUBE (B8)	(2)	



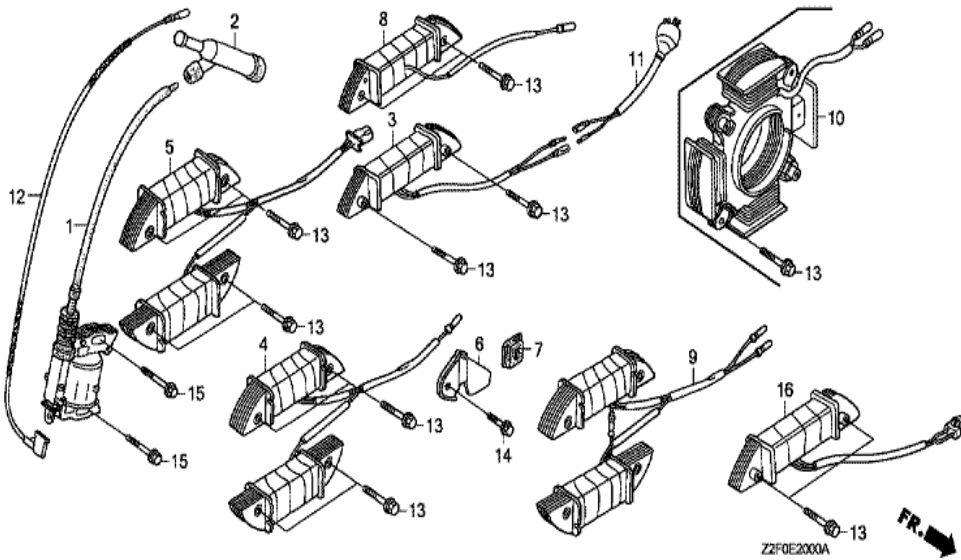
Z2F0-E1900

<u>Ref</u>	<u>Partnumber</u>	<u>Description</u>	<u>GX160K1</u>	<u>Serial Numbers</u>
001	13331-357-000	KEY, SPECIAL WOODRUFF, 25X18	1	
002	19511-ZE1-000	FAN, COOLING	1	
003	28450-ZH8-801	PULLEY COMP., STARTER	1	
003	28450-ZH8-801	PULLEY COMP., STARTER	(1)	
006	28451-ZH8-801	PULLEY, STARTER	1	
006	28451-ZH8-801	PULLEY, STARTER	(1)	
007	31100-ZE1-010	FLYWHEEL COMP.	1	
007	31100-ZE1-010	FLYWHEEL COMP.	(1)	
008	31100-ZE1-811	FLYWHEEL COMP. (LAMP)	1	
008	31100-ZE1-811	FLYWHEEL COMP. (LAMP)	(1)	
009	31100-ZE1-821	FLYWHEEL COMP. (STARTER MOTOR)	1	
009	31100-ZE1-821	FLYWHEEL COMP. (STARTER MOTOR)	(1)	
010	31100-ZH8-W03	FLYWHEEL COMP. (4POLE-3MAGNET)	1	
<u>Ref</u>	<u>Partnumber</u>	<u>Description</u>	<u>GX160K1</u>	<u>Serial Numbers</u>
010	31100-ZH8-W03	FLYWHEEL COMP. (4POLE-3MAGNET)	(1)	
011	90201-878-003	NUT, SPECIAL, 14MM	1	



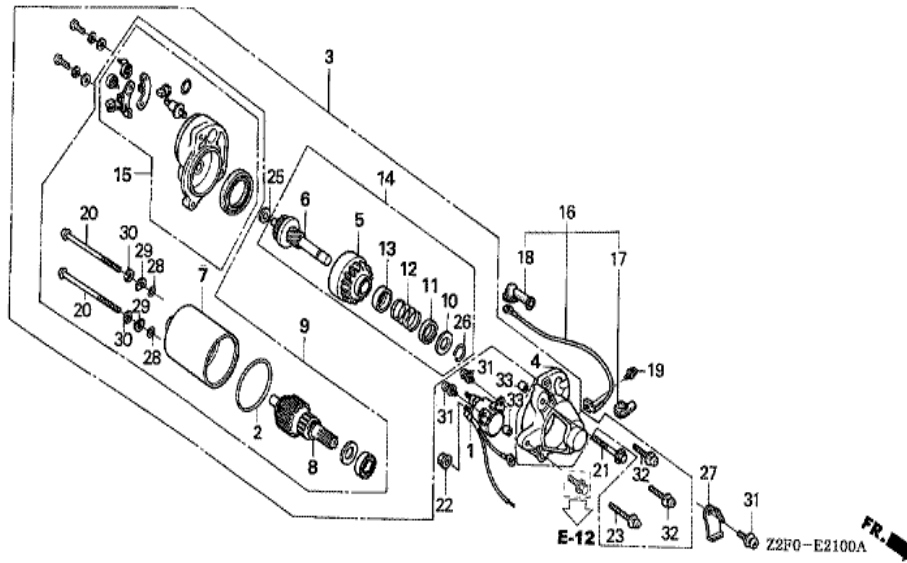
Ref	Partnumber	Description	GX160K1	Serial Numbers
001	12204-ZE1-306	GUIDE, IN. VALVE (OS)	1	
002	12205-ZE1-315	GUIDE, EX. VALVE (OS)	1	
003	12210-ZH8-405	HEAD COMP., CYLINDER	1	1237986
003	12210-ZH8-405	HEAD COMP., CYLINDER	1	1237986
003	12210-ZH8-415	HEAD COMP., CYLINDER	1	1237987
004	12216-ZE5-300	CLIP, VALVE GUIDE	1	
005	12251-ZF1-800	GASKET, CYLINDER HEAD	1	
005	12251-ZF1-800	GASKET, CYLINDER HEAD	(1)	
006	12310-ZE1-020	COVER COMP., HEAD	(1)	
006	12310-ZE1-842	COVER COMP., HEAD (BREATHING TUBE)	(1)	
006	12310-ZE1-842	COVER COMP., HEAD (BREATHING TUBE)	(1)	
007	12391-ZE1-000	PACKING, HEAD COVER	1	
008	15721-ZE1-840	TUBE, BREATHING	(1)	

<u>Ref</u>	<u>Partnumber</u>	<u>Description</u>	<u>GX160K1</u>	<u>Serial Numbers</u>
008	15721-ZE1-840	TUBE, BREATHER	(1)	
008	15721-ZH8-000	TUBE, BREATHER	(1)	
008	15721-ZH8-000	TUBE, BREATHER	(1)	
009	90013-883-000	BOLT, FLANGE, 6X12 (CT200)	4	
010	90043-ZE1-020	BOLT, STUD, 6X112	2	
010	90043-ZE1-020	BOLT, STUD, 6X112	2	
011	90047-ZE1-000	BOLT, STUD, 8X32	2	
012	94301-10160	DOWEL PIN, 10X16	2	
013	95002-80000	CLIP, TUBE (C12)	2	
013	95002-80000	CLIP, TUBE (C12)	(2)	
014	95701-0806000	BOLT, FLANGE, 8X60	4	1349665
014	95723-0806000	BOLT, FLANGE, 8X60	4	
014	95723-0806000	BOLT, FLANGE, 8X60	4	1349664
015	98079-55841	PLUG, SPARK (BP5ES) (NGK)	(1)	
015	98079-55841	PLUG, SPARK (BP5ES) (NGK)	(1)	
015	98079-55846	PLUG, SPARK (BPR5ES) (NGK)	(1)	
015	98079-55846	PLUG, SPARK (BPR5ES) (NGK)	(1)	
015	98079-55854	PLUG, SPARK (W16EP-U) (DENSO)	(1)	
015	98079-55854	PLUG, SPARK (W16EP-U) (DENSO)	(1)	
015	98079-55855	PLUG, SPARK (W16EPR-U) (DENSO)	(1)	
015	98079-55855	PLUG, SPARK (W16EPR-U) (DENSO)	(1)	
015	98079-56841	PLUG, SPARK (BP6ES) (NGK)	(1)	
015	98079-56841	PLUG, SPARK (BP6ES) (NGK)	(1)	
015	98079-56854	PLUG, SPARK (W20EP-U) (DENSO)	(1)	
015	98079-56854	PLUG, SPARK (W20EP-U) (DENSO)	(1)	



Ref	Partnumber	Description	GX160K1	Serial Numbers
001	30500-ZE1-043	COIL ASSY., IGNITION	1	1049706
001	30500-ZE1-043	COIL ASSY., IGNITION	(1)	1049706
001	30500-ZE1-053	COIL ASSY., IGNITION	(1)	1049707 1067684
001	30500-ZE1-053	COIL ASSY., IGNITION	(1)	1049707 1067684
001	30500-ZE1-063	COIL ASSY., IGNITION	1	1067685
001	30500-ZE1-063	COIL ASSY., IGNITION	(1)	1067685 1346318
001	30500-ZE1-073	COIL ASSY., IGNITION	1	
001	30500-ZE1-073	COIL ASSY., IGNITION	(1)	1346319
002	30600-ZE1-013	TERMINAL ASSY., HIGH TENSION (NICHIWA Y-	1	
002	30600-ZE1-013	TERMINAL ASSY., HIGH TENSION (NICHIWA Y-	(1)	
002	30700-ZE1-013	CAP ASSY., NOISE SUPPRESSOR (NICHIWA Y-E	(1)	
002	30700-ZE1-013	CAP ASSY., NOISE SUPPRESSOR (NICHIWA Y-E	(1)	
003	31510-ZE1-003	COIL ASSY., LAMP (12V/15W)	(1)	

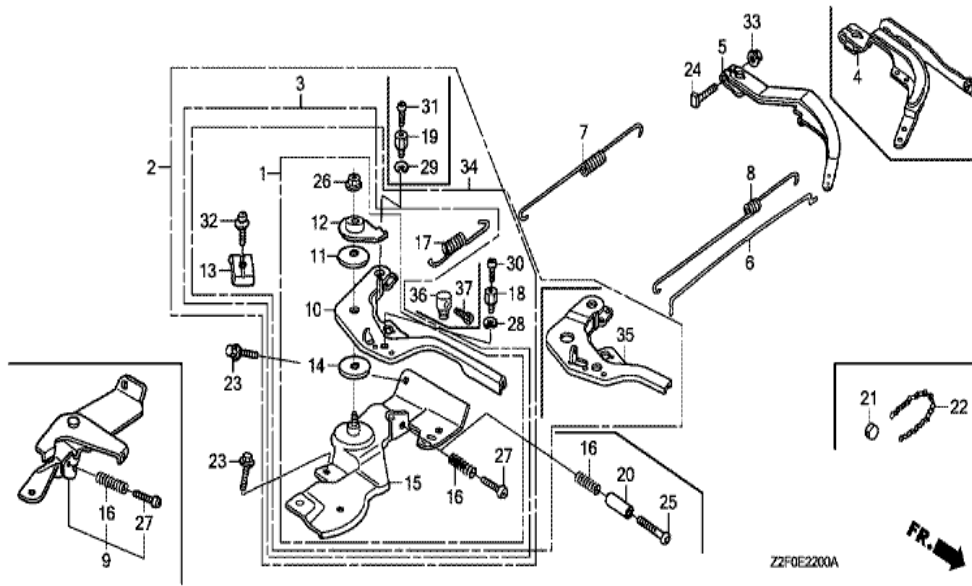
<u>Ref</u>	<u>Partnumber</u>	<u>Description</u>	<u>GX160K1</u>	<u>Serial Numbers</u>
003	31510-ZE1-811	COIL ASSY., LAMP (12V/25W)	(1)	
003	31510-ZE1-811	COIL ASSY., LAMP (12V/25W)	(1)	
003	31510-ZE1-821	COIL ASSY., LAMP (6V/15W)	(1)	
003	31510-ZE1-821	COIL ASSY., LAMP (6V/15W)	(1)	
003	31510-ZE1-831	COIL ASSY., LAMP (6V/25W)	(1)	
003	31510-ZE1-831	COIL ASSY., LAMP (6V/25W)	(1)	
004	31510-ZE1-711	COIL ASSY., LAMP (12V/50W)	1	
004	31510-ZE1-711	COIL ASSY., LAMP (12V/50W)	(1)	
005	31510-ZE1-721	COIL ASSY., LAMP & CHARGE	(1)	
006	31511-ZE1-000	CLAMPER, CORD	1	
006	31511-ZE1-000	CLAMPER, CORD	(1)	
007	31512-ZE1-000	GROMMET, CORD	1	
007	31512-ZE1-000	GROMMET, CORD	(1)	
008	31630-ZE1-003	COIL ASSY., CHARGE (1A)	1	
008	31630-ZE1-003	COIL ASSY., CHARGE (1A)	(1)	1347412
008	31630-ZE1-013	COIL ASSY., CHARGE (1A)	1	1347413
008	31630-ZE1-013	COIL ASSY., CHARGE (1A)	(1)	1347413
009	31630-ZF1-801	COIL ASSY., CHARGE (2.8A)	1	
009	31630-ZF1-801	COIL ASSY., CHARGE (2.8A)	(1)	
010	31630-ZH8-W01	COIL ASSY., CHARGE (12V-7A)	1	
010	31630-ZH8-W01	COIL ASSY., CHARGE (12V-7A)	(1)	
011	32105-ZE1-000	CABLE, DOUBLE CONNECTOR	(1)	
012	36101-ZB2-010	CORD, STOP SWITCH (395MM)	1	
012	36101-ZB2-010	CORD, STOP SWITCH (395MM)	(1)	
012	36101-ZE1-010	CORD, STOP SWITCH (370MM)	(1)	
012	36101-ZE1-010	CORD, STOP SWITCH (370MM)	(1)	
013	90015-883-000	BOLT, FLANGE, 6X28 (CT200)	2	
013	90015-883-000	BOLT, FLANGE, 6X28 (CT200)	(4)	
013	90018-ZE1-000	BOLT, FLANGE, 6X23 (CT200)	(2)	
013	90018-ZE1-000	BOLT, FLANGE, 6X23 (CT200)	(2)	
014	90019-883-000	BOLT, FLANGE, 5X10	1	
014	90019-883-000	BOLT, FLANGE, 5X10	(1)	
015	90121-952-000	BOLT, FLANGE, 6X25 (CT200)	2	



Ref	Partnumber	Description	GX160K1	Serial Numbers
001	31204-ZE1-003	SWITCH COMP., STARTING MAGNET	1	
001	31204-ZE1-003	SWITCH COMP., STARTING MAGNET	(1)	1371349
001	31204-ZE1-013	SWITCH COMP., STARTING MAGNET	1	1371350
001	31204-ZE1-013	SWITCH COMP., STARTING MAGNET	(1)	1371350
001	31204-ZE1-721	SWITCH ASSY., STARTER MAGNETIC	(1)	
001	31204-ZE1-721	SWITCH ASSY., STARTER MAGNETIC	(1)	
002	31206-KN7-670	O-RING	1	
002	31206-KN7-670	O-RING	(1)	
003	31210-ZE1-023	MOTOR UNIT, STARTER (SM-11203) (162MM)	1	
003	31210-ZE1-023	MOTOR UNIT, STARTER (SM-11203) (162MM)	(1)	
003	31210-ZE1-723	MOTOR UNIT, STARTER (SM-11205) (181MM)	(1)	
003	31210-ZE1-723	MOTOR UNIT, STARTER (SM-11205) (181MM)	(1)	
004	31212-ZE1-003	COVER COMP., GEAR	1	

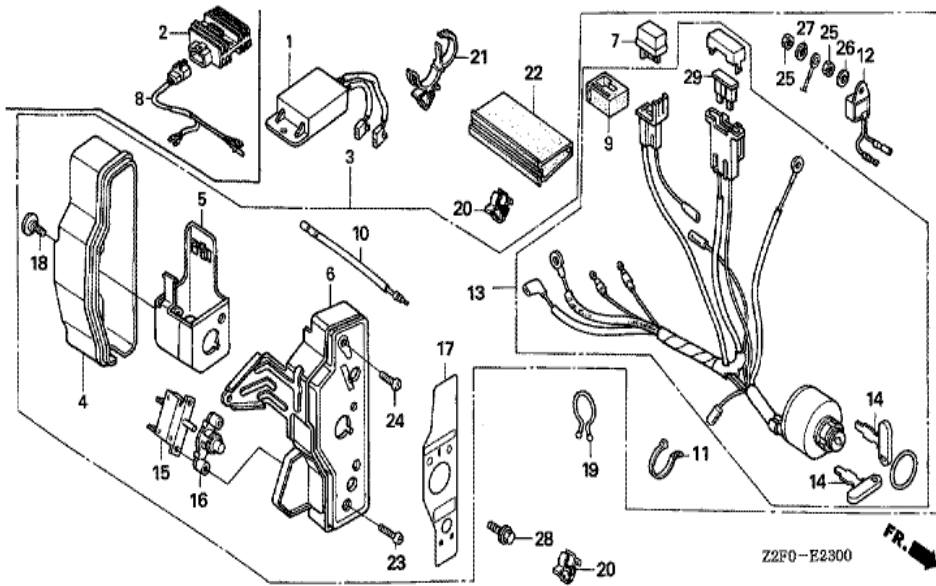
<u>Ref</u>	<u>Partnumber</u>	<u>Description</u>	<u>GX160K1</u>	<u>Serial Numbers</u>
004	31212-ZE1-003	COVER COMP., GEAR	(1)	
005	31214-ZE1-003	PINION ASSY.	1	
005	31214-ZE1-003	PINION ASSY.	(1)	
006	31215-ZE1-003	SHAFT UNIT, GEAR	1	
006	31215-ZE1-003	SHAFT UNIT, GEAR	(1)	
007	31216-ZE1-003	YOKE ASSY.	1	
007	31216-ZE1-003	YOKE ASSY.	(1)	
007	31216-ZE1-731	YOKE ASSY.	(1)	
007	31216-ZE1-731	YOKE ASSY.	(1)	
008	31217-ZE1-013	ROTOR ASSY.	1	
008	31217-ZE1-013	ROTOR ASSY.	(1)	
008	31217-ZE1-722	ROTOR ASSY.	(1)	
008	31217-ZE1-722	ROTOR ASSY.	(1)	
009	31220-ZE1-013	MOTOR ONLY	1	
009	31220-ZE1-013	MOTOR ONLY	(1)	
009	31220-ZE1-722	MOTOR ONLY	(1)	
009	31220-ZE1-722	MOTOR ONLY	(1)	
010	31221-ZE1-003	PIECE A, STOPPER	1	
010	31221-ZE1-003	PIECE A, STOPPER	(1)	
011	31222-ZE1-003	PIECE B, STOPPER	1	
011	31222-ZE1-003	PIECE B, STOPPER	(1)	
012	31223-ZE1-003	SPRING, RETURN	1	
012	31223-ZE1-003	SPRING, RETURN	(1)	
013	31224-ZE1-003	COVER, SPRING	1	
013	31224-ZE1-003	COVER, SPRING	(1)	
014	31230-ZE1-003	GEAR ASSY.	1	
014	31230-ZE1-003	GEAR ASSY.	(1)	
015	31235-ZE1-013	BRACKET COMP., FR.	1	
015	31235-ZE1-013	BRACKET COMP., FR.	(1)	
016	32410-ZE1-000	CORD, MAGNET SWITCH	1	
016	32410-ZE1-000	CORD, MAGNET SWITCH	(1)	1386986
016	32410-ZE1-010	CORD, MAGNET SWITCH	1	1386987
016	32410-ZE1-010	CORD, MAGNET SWITCH	(1)	1386987

<u>Ref</u>	<u>Partnumber</u>	<u>Description</u>	<u>GX160K1</u>	<u>Serial Numbers</u>
017	32411-ZE1-000	COVER, MAGNETIC SWITCH	1	
017	32411-ZE1-000	COVER, MAGNETIC SWITCH	(1)	
018	32411-253-000	COVER, STARTER MOTOR TERMINAL	1	
018	32411-253-000	COVER, STARTER MOTOR TERMINAL	(1)	
019	90010-ZE1-003	SCREW-WASHER, 5X8	1	
019	90010-ZE1-003	SCREW-WASHER, 5X8	(1)	
020	90012-ZE1-003	BOLT, SETTING	2	
020	90012-ZE1-003	BOLT, SETTING	(2)	
020	90012-ZE1-721	BOLT, SETTING	(2)	
020	90012-ZE1-721	BOLT, SETTING	(2)	
021	90017-883-000	BOLT, FLANGE, 6X32 (CT200)	1	
021	90017-883-000	BOLT, FLANGE, 6X32 (CT200)	(1)	
022	90071-MB0-000	NUT-WASHER, 6MM	2	
022	90071-MB0-000	NUT-WASHER, 6MM	(2)	
023	90115-GB4-700	SCREW-WASHER, 5X30	1	
023	90115-GB4-700	SCREW-WASHER, 5X30	(1)	
025	90502-187-701	WASHER, PINION	1	
025	90502-187-701	WASHER, PINION	(1)	
026	90603-ZE1-003	CIRCLIP, 10.2MM	1	
026	90603-ZE1-003	CIRCLIP, 10.2MM	(1)	
027	90631-ZE1-003	HOLDER, HARNESS	1	
027	90631-ZE1-003	HOLDER, HARNESS	(1)	
027	90631-ZE1-720	HOLDER, HARNESS	(1)	
027	90631-ZE1-720	HOLDER, HARNESS	(1)	
028	91301-ZE1-003	O-RING	2	
028	91301-ZE1-003	O-RING	(2)	
029	91402-ZE6-003	WASHER, SPECIAL	2	
029	91402-ZE6-003	WASHER, SPECIAL	(2)	
030	91403-ZE6-003	WASHER, SPRING	2	
030	91403-ZE6-003	WASHER, SPRING	(2)	
031	93892-0501408	SCREW-WASHER, 5X14	3	
031	93892-0501408	SCREW-WASHER, 5X14	(3)	
032	93892-0502008	SCREW-WASHER, 5X20	2	
<u>Ref</u>	<u>Partnumber</u>	<u>Description</u>	<u>GX160K1</u>	<u>Serial Numbers</u>
032	93892-0502008	SCREW-WASHER, 5X20	(2)	
033	94301-08100	DOWEL PIN, 8X10	2	
033	94301-08100	DOWEL PIN, 8X10	(2)	



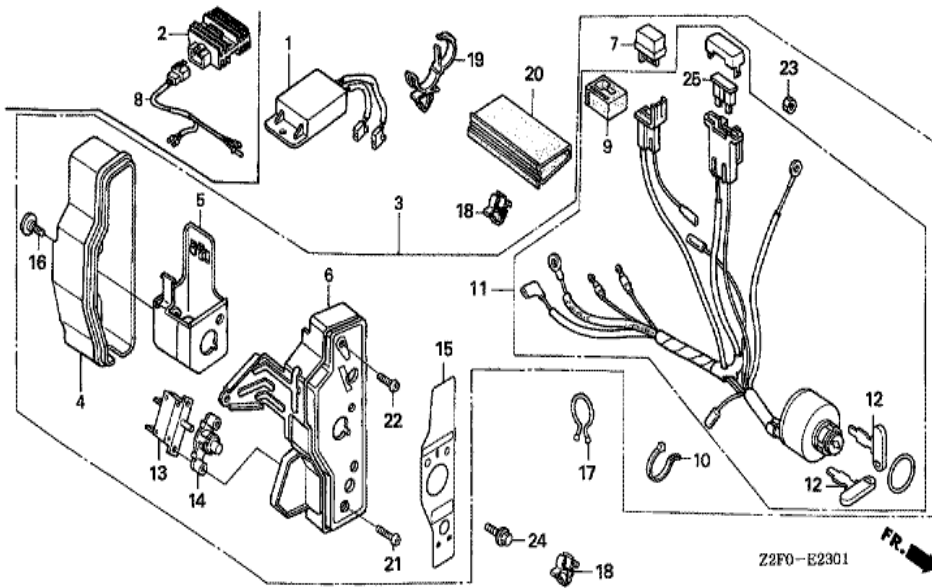
Ref	Partnumber	Description	GX160K1	Serial Numbers
001	16500-ZH8-030	CONTROL ASSY.	1	
001	16500-ZH8-030	CONTROL ASSY.	(1)	
001	16500-ZH8-833	CONTROL ASSY. (LOCK TYPE)	(1)	
001	16500-ZH8-833	CONTROL ASSY. (LOCK TYPE)	(1)	
001	16500-ZH8-843	CONTROL ASSY.	(1)	
001	16500-ZH8-843	CONTROL ASSY.	(1)	
001	16500-ZH8-883	CONTROL ASSY. (CYCLONE-STD.)	(1)	
001	16500-ZH8-883	CONTROL ASSY. (CYCLONE-STD.)	(1)	
002	16500-ZH8-813	CONTROL ASSY. (REMOTE/INTERNAL)	1	
002	16500-ZH8-853	CONTROL ASSY. (CYCLONE)	(1)	
002	16500-ZH8-853	CONTROL ASSY. (CYCLONE)	(1)	
002	16500-ZH8-893	CONTROL ASSY. (REMOTE INTL-S)	(1)	
002	16500-ZH8-893	CONTROL ASSY. (REMOTE INTL-S)	(1)	

<u>Ref</u>	<u>Partnumber</u>	<u>Description</u>	<u>GX160K1</u>	<u>Serial Numbers</u>
003	16500-ZH8-823	CONTROL ASSY. (REMOTE)	1	
003	16500-ZH8-823	CONTROL ASSY. (REMOTE)	(1)	
003	16500-ZH8-873	CONTROL ASSY. (CYCLONE-REMOTE)	(1)	
003	16500-ZH8-873	CONTROL ASSY. (CYCLONE-REMOTE)	(1)	
005	16551-ZE0-010	ARM, GOVERNOR	1	
005	16551-ZE0-010	ARM, GOVERNOR	1	
006	16555-ZE1-000	ROD, GOVERNOR	1	
007	16561-ZE1-020	SPRING, GOVERNOR	1	
008	16562-ZE1-020	SPRING, THROTTLE RETURN	1	
010	16571-ZH8-020	LEVER, CONTROL	(1)	
010	16571-ZH8-020	LEVER, CONTROL	(1)	
010	16571-ZH8-842	LEVER, CONTROL	(1)	
010	16571-ZH8-842	LEVER, CONTROL	(1)	
011	16574-ZE1-000	SPRING, LEVER	1	
011	16574-ZE1-000	SPRING, LEVER	(1)	
012	16575-ZH8-000	WASHER, CONTROL LEVER	1	
012	16575-ZH8-000	WASHER, CONTROL LEVER	(1)	
013	16576-891-000	HOLDER, CABLE	1	
013	16576-891-000	HOLDER, CABLE	(1)	
014	16578-ZE1-000	SPACER, CONTROL LEVER	1	
014	16578-ZE1-000	SPACER, CONTROL LEVER	(1)	
015	16580-ZH8-030	BASE COMP., CONTROL	1	
015	16580-ZH8-030	BASE COMP., CONTROL	(1)	
015	16580-ZH8-813	BASE COMP., CONTROL (REMOTE)	(1)	
015	16580-ZH8-813	BASE COMP., CONTROL (REMOTE)	(1)	
015	16580-ZH8-853	BASE COMP., CONTROL (CYCLONE) (###)	(1)	
015	16580-ZH8-853	BASE COMP., CONTROL (CYCLONE) (###)	(1)	
016	16584-883-300	SPRING, CONTROL ADJUSTING	1	
016	16584-883-300	SPRING, CONTROL ADJUSTING	(1)	
017	16592-ZE1-810	SPRING, CABLE RETURN	1	
017	16592-ZE1-810	SPRING, CABLE RETURN	(1)	
018	16594-883-010	HOLDER, WIRE	1	
018	16594-883-010	HOLDER, WIRE	(1)	
<u>Ref</u>	<u>Partnumber</u>	<u>Description</u>	<u>GX160K1</u>	<u>Serial Numbers</u>
021	16727-705-000	END, LOCK	(1)	
022	16729-705-010	WIRE, LOCK	(1)	
023	90013-883-000	BOLT, FLANGE, 6X12 (CT200)	2	
024	90015-ZE5-010	BOLT, GOVERNOR ARM	1	
026	90114-SA0-000	NUT, SELF-LOCK, 6MM	1	
026	90114-SA0-000	NUT, SELF-LOCK, 6MM	(1)	
027	90121-ZE0-000	SCREW, LOCK PAN	(1)	
027	93500-050250A	SCREW, PAN, 5X25	(1)	
027	93500-050250A	SCREW, PAN, 5X25	(1)	
027	93500-050250H	SCREW, PAN, 5X25	(1)	
027	93500-050250H	SCREW, PAN, 5X25	(1)	
028	90605-230-000	CIRCLIP, 5MM	1	
028	90605-230-000	CIRCLIP, 5MM	(1)	
030	93500-040060H	SCREW, PAN, 4X6	1	
030	93500-040060H	SCREW, PAN, 4X6	(1)	
032	93500-050160A	SCREW, PAN, 5X16	1	
032	93500-050160A	SCREW, PAN, 5X16	(1)	
033	94050-06000	NUT, FLANGE, 6MM	1	
034	16500-ZH8-813	CONTROL ASSY. (REMOTE/INTERNAL)	(1)	



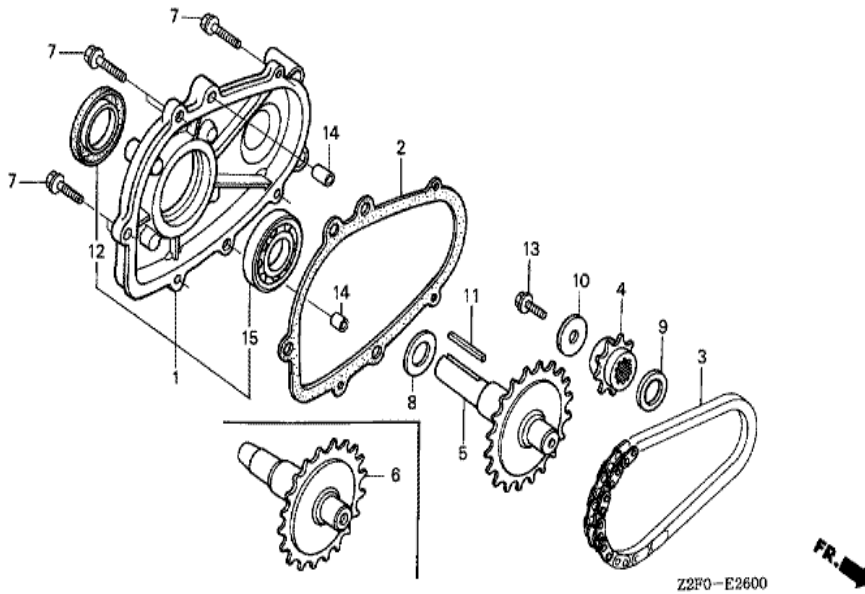
Ref	Partnumber	Description	GX160K1	Serial Numbers
001	31600-KE1-010	RECTIFIER COMP., REGULATOR	(1)	
002	31600-ZE2-861	RECTIFIER ASSY., REGULATOR (10A)	1	
002	31600-ZE2-861	RECTIFIER ASSY., REGULATOR (10A)	(1)	
003	31610-ZE1-825ZD	BOX ASSY., CONTROL (INTL-ALERT) *R280 *	(1)	
003	31610-ZE1-835ZG	BOX ASSY., CONTROL (EXP-ALERT) *R280*	(1)	
003	31610-ZE1-835ZG	BOX ASSY., CONTROL (EXP-ALERT) *R280*	(1)	
004	31612-ZE2-003	CASE, CONTROL	1	
004	31612-ZE2-003	CASE, CONTROL	(1)	
005	31614-ZE2-003	BRACKET, CASE MOUNTING	1	
005	31614-ZE2-003	BRACKET, CASE MOUNTING	(1)	
006	31615-ZE1-003ZG	PANEL COMP., CONTROL *R280 *	(1)	
006	31615-ZE1-003ZG	PANEL COMP., CONTROL *R280 *	(1)	
007	31700-124-008	RECTIFIER ASSY., SILICON (SHINDENGEN)	1	

<u>Ref</u>	<u>Partnumber</u>	<u>Description</u>	<u>GX160K1</u>	<u>Serial Numbers</u>
007	31700-124-008	RECTIFIER ASSY., SILICON (SHINDENGEN)	(1)	
008	32110-ZH8-W00	HARNESS ASSY., SUB WIRE	(1)	
009	32127-738-700	SUSPENSION, COUPLER	1	
009	32127-738-700	SUSPENSION, COUPLER	(1)	
010	32197-ZE1-003	HARNESS, SUB WIRE	1	
010	32197-ZE1-003	HARNESS, SUB WIRE	(1)	
011	32902-892-003	BAND	1	
011	32902-892-003	BAND	(1)	
012	34150-ZH7-013	ALERT UNIT, OIL	1	
012	34150-ZH7-013	ALERT UNIT, OIL	(1)	
013	35100-ZE1-812	SWITCH ASSY., COMBINATION	1	
013	35100-ZE1-812	SWITCH ASSY., COMBINATION	(1)	
014	35111-880-013	KEY COMP. (HONDA LOCK)	2	
014	35111-880-013	KEY COMP. (HONDA LOCK)	(2)	
015	38240-VA3-900	PROTECTOR, CIRCUIT (1.0A)	1	
015	38240-VA3-900	PROTECTOR, CIRCUIT (1.0A)	(1)	
016	38250-ZA8-701	LENS ASSY., PROTECTOR	1	
016	38250-ZA8-701	LENS ASSY., PROTECTOR	(1)	
017	87529-ZE2-020	PANEL, CONTROL BOX (INTERNAL)	(1)	
017	87529-ZE2-812	MARK, CONTROL BOX (EXP)	(1)	
017	87529-ZE2-812	MARK, CONTROL BOX (EXP)	(1)	
018	90380-MA6-010	SCREW, SPECIAL, 6X12	1	
018	90380-MA6-010	SCREW, SPECIAL, 6X12	(1)	
019	90630-751-000	CLIP, PURSE LOCK	1	
019	90630-751-000	CLIP, PURSE LOCK	(1)	
020	90682-ZE1-000	CLIP, CORD	2	
020	90682-ZE1-000	CLIP, CORD	(2)	
021	90690-SA0-003	STRAP, WIRE HARNESS, 25MM (BLACK)	1	
021	90690-SA0-003	STRAP, WIRE HARNESS, 25MM (BLACK)	(1)	
022	91406-ZE2-003	TUBE, FASTENER, 30MM	1	
022	91406-ZE2-003	TUBE, FASTENER, 30MM	(1)	
023	93500-030120H	SCREW, PAN, 3X12	2	
023	93500-030120H	SCREW, PAN, 3X12	(2)	
<u>Ref</u>	<u>Partnumber</u>	<u>Description</u>	<u>GX160K1</u>	<u>Serial Numbers</u>
024	93500-040120H	SCREW, PAN, 4X12	1	
024	93500-040120H	SCREW, PAN, 4X12	(1)	
025	94001-043900S	NUT, HEX., 4MM	2	
025	94001-043900S	NUT, HEX., 4MM	(2)	
026	94101-04800	WASHER, PLAIN, 4MM	1	
026	94101-04800	WASHER, PLAIN, 4MM	(1)	
027	94111-04800	WASHER, SPRING, 4MM	1	
027	94111-04800	WASHER, SPRING, 4MM	(1)	
028	95701-0601000	BOLT, FLANGE, 6X10	1	
028	95701-0601000	BOLT, FLANGE, 6X10	(1)	
029	98200-30500	FUSE, BLADE (5A)	1	
029	98200-30500	FUSE, BLADE (5A)	(1)	



Ref	Partnumber	Description	GX160K1	Serial Numbers
001	31600-KE1-010	RECTIFIER COMP., REGULATOR	(1)	
002	31600-ZE2-861	RECTIFIER ASSY., REGULATOR (10A)	(1)	
003	31610-ZE1-013ZD	BOX ASSY., CONTROL (INTERNAL) *R280 *	(1)	
003	31610-ZE1-013ZD	BOX ASSY., CONTROL (INTERNAL) *R280 *	(1)	
003	31610-ZE1-812ZD	BOX ASSY., CONTROL (EXTERNAL) *R280 *	(1)	
003	31610-ZE1-812ZD	BOX ASSY., CONTROL (EXTERNAL) *R280 *	(1)	
004	31612-ZE2-003	CASE, CONTROL	1	
004	31612-ZE2-003	CASE, CONTROL	(1)	
005	31614-ZE2-003	BRACKET, CASE MOUNTING	1	
005	31614-ZE2-003	BRACKET, CASE MOUNTING	(1)	
006	31615-ZE1-003ZG	PANEL COMP., CONTROL *R280 *	(1)	
006	31615-ZE1-003ZG	PANEL COMP., CONTROL *R280 *	(1)	
007	31700-124-008	RECTIFIER ASSY., SILICON (SHINDENGEN)	1	

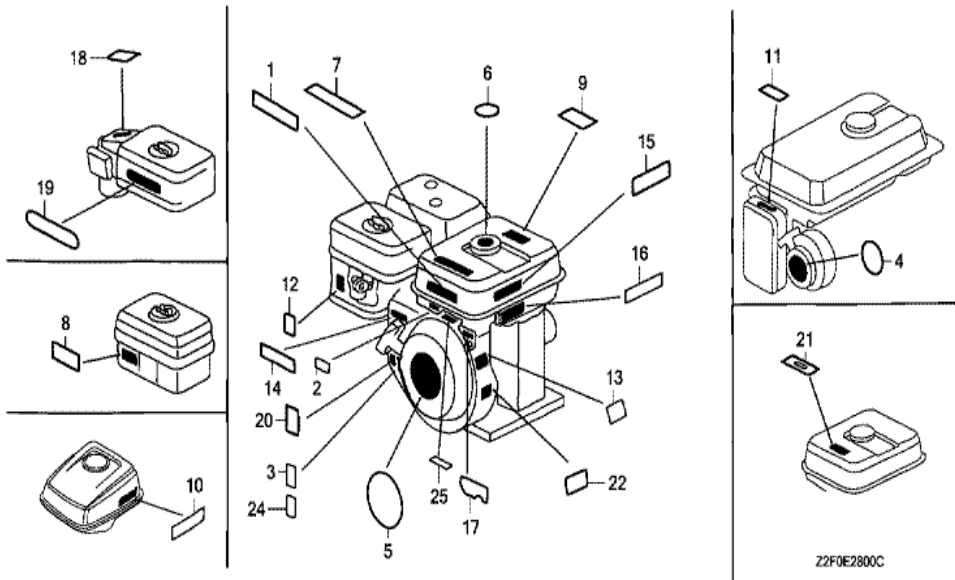
<u>Ref</u>	<u>Partnumber</u>	<u>Description</u>	<u>GX160K1</u>	<u>Serial Numbers</u>
007	31700-124-008	RECTIFIER ASSY., SILICON (SHINDENGEN)	(1)	
008	32110-ZH8-W00	HARNESS ASSY., SUB WIRE	(1)	
009	32127-738-700	SUSPENSION, COUPLER	1	
009	32127-738-700	SUSPENSION, COUPLER	(1)	
010	32902-892-003	BAND	1	
010	32902-892-003	BAND	(1)	
011	35100-ZE1-812	SWITCH ASSY., COMBINATION	1	
011	35100-ZE1-812	SWITCH ASSY., COMBINATION	(1)	
012	35111-880-013	KEY COMP. (HONDA LOCK)	2	
012	35111-880-013	KEY COMP. (HONDA LOCK)	(2)	
013	38240-VA3-900	PROTECTOR, CIRCUIT (1.0A)	1	
013	38240-VA3-900	PROTECTOR, CIRCUIT (1.0A)	(1)	
014	38250-ZA8-701	LENS ASSY., PROTECTOR	1	
014	38250-ZA8-701	LENS ASSY., PROTECTOR	(1)	
015	87529-ZE2-020	PANEL, CONTROL BOX (INTERNAL)	(1)	
016	90380-MA6-010	SCREW, SPECIAL, 6X12	1	
016	90380-MA6-010	SCREW, SPECIAL, 6X12	(1)	
017	90630-751-000	CLIP, PURSE LOCK	1	
017	90630-751-000	CLIP, PURSE LOCK	(1)	
018	90682-ZE1-000	CLIP, CORD	2	
018	90682-ZE1-000	CLIP, CORD	(2)	
019	90690-SA0-003	STRAP, WIRE HARNESS, 25MM (BLACK)	1	
019	90690-SA0-003	STRAP, WIRE HARNESS, 25MM (BLACK)	(1)	
020	91406-ZE2-003	TUBE, FASTENER, 30MM	1	
020	91406-ZE2-003	TUBE, FASTENER, 30MM	(1)	
021	93500-030120H	SCREW, PAN, 3X12	2	
021	93500-030120H	SCREW, PAN, 3X12	(2)	
022	93500-040120H	SCREW, PAN, 4X12	1	
022	93500-040120H	SCREW, PAN, 4X12	(1)	
023	94001-043900S	NUT, HEX., 4MM	1	
023	94001-043900S	NUT, HEX., 4MM	(1)	
024	95701-0601000	BOLT, FLANGE, 6X10	1	
024	95701-0601000	BOLT, FLANGE, 6X10	(1)	
<u>Ref</u>	<u>Partnumber</u>	<u>Description</u>	<u>GX160K1</u>	<u>Serial Numbers</u>
025	98200-30500	FUSE, BLADE (5A)	1	
025	98200-30500	FUSE, BLADE (5A)	(1)	



Z2F0-E2600



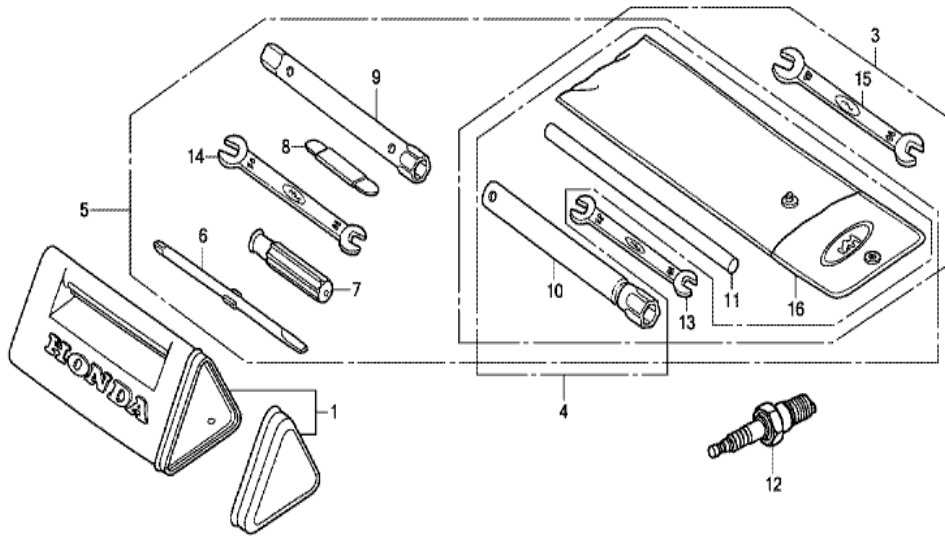
<u>Ref</u>	<u>Partnumber</u>	<u>Description</u>	<u>GX160K1</u>	<u>Serial Numbers</u>
001	11500-ZE1-611	COVER ASSY., CHAIN CASE	1	
002	11521-ZH8-800	PACKING, CHAIN CASE COVER	1	
002	11521-ZH8-800	PACKING, CHAIN CASE COVER	(1)	
003	14411-ZE1-611	CHAIN, P.T.O. DRIVE (DID317FM2-34LE)	1	
004	23110-ZE1-610	SPROCKET, DRIVE (13T)	1	
005	23710-ZE1-613	SHAFT, P.T.O. (26T)	1	
007	90015-883-000	BOLT, FLANGE, 6X28 (CT200)	5	
008	90456-ZE1-000	SPRING, THRUST	1	
009	90470-ZE1-000	SPACER, 20MM	1	
010	90471-ZE1-610	WASHER, 8MM	1	
011	90741-883-810	KEY, 5X5X33 (YELLOW)	1	
011	90741-883-810	KEY, 5X5X33 (YELLOW)	(1)	
012	91201-ZOT-801	OIL SEAL, 25X41X6 (NOK)	1	
<u>Ref</u>	<u>Partnumber</u>	<u>Description</u>	<u>GX160K1</u>	<u>Serial Numbers</u>
013	92101-080250A	BOLT, HEX., 8X25	1	
014	94301-08140	DOWEL PIN, 8X14	2	
015	96100-6205000	BEARING, RADIAL BALL, 6205	1	



Z2F0E2800C

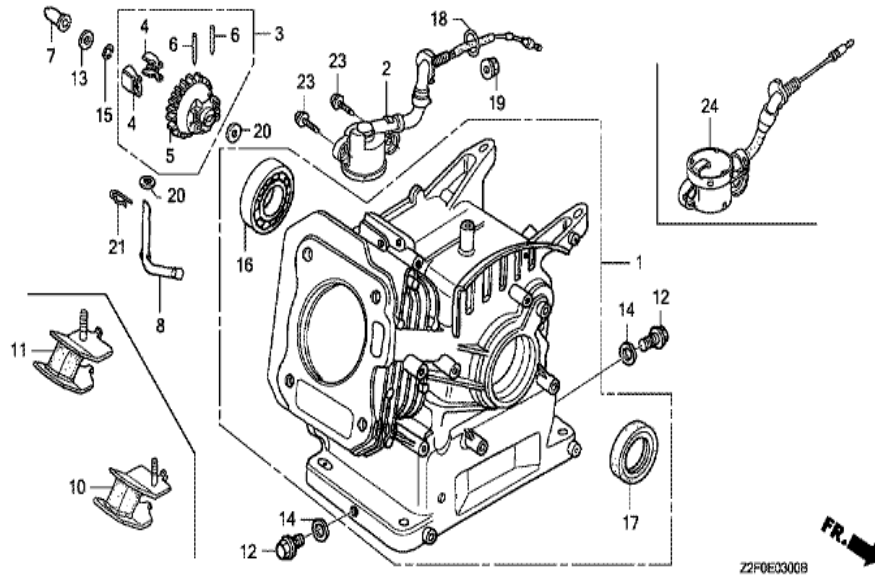
Ref	Partnumber	Description	GX160K1	Serial Numbers
001	87101-733-000	MARK, TOP	(1)	
001	87520-ZH8-000	MARK A, COMBINATION (JAPANESE)	(1)	
001	87520-ZH8-000	MARK A, COMBINATION (JAPANESE)	(1)	
001	87522-ZH9-010	LABEL, CAUTION (ENGLISH, ETC.)	(1)	
001	87522-ZH9-010	LABEL, CAUTION (ENGLISH, ETC.)	(1)	
002	87135-ZE2-020	LABEL, E-SPEC (15.5X27.5)	1	1001091
002	87135-ZE2-020	LABEL, E-SPEC (15.5X27.5)	1	1165999
003	87135-ZE2-020	LABEL, E-SPEC (15.5X27.5)	1	1165999
003	87135-ZE2-020	LABEL, E-SPEC (15.5X27.5)	1	1165999
005	87521-ZH8-030	EMBLEM (GX160 5.5)	1	
005	87521-ZH8-030	EMBLEM (GX160 5.5)	(1)	1314912
005	87521-ZH8-040	EMBLEM (GX160)	1	
005	87521-ZH8-040	EMBLEM (GX160)	(1)	1314913

<u>Ref</u>	<u>Partnumber</u>	<u>Description</u>	<u>GX160K1</u>	<u>Serial Numbers</u>
007	87522-ZH9-010	LABEL, CAUTION (ENGLISH, ETC.)	(1)	
007	87522-ZH9-010	LABEL, CAUTION (ENGLISH, ETC.)	(1)	
007	87522-ZH9-821	LABEL, CAUTION (THAI)	(1)	
007	87522-ZH9-821	LABEL, CAUTION (THAI)	(1)	
008	87524-883-690	MARK, AIR CLEANER CAUTION (OIL BATH) (AR	1	
008	87524-883-690	MARK, AIR CLEANER CAUTION (OIL BATH) (AR	(1)	
012	87528-ZE1-690	MARK, CHOKE (THAI)	(1)	
012	87528-ZE1-690	MARK, CHOKE (THAI)	(1)	
012	87528-ZE1-810	MARK, CHOKE	(1)	
012	87528-ZE1-810	MARK, CHOKE	(1)	
013	87530-ZH8-010	LABEL, SPECIFICATION (INTERNAL)	1	
013	87530-ZH8-010	LABEL, SPECIFICATION (INTERNAL)	(1)	
013	87530-ZH8-821	LABEL, SPECIFICATION (INTERNAL/L-TYPE)	(1)	
013	87530-ZH8-821	LABEL, SPECIFICATION (INTERNAL/L-TYPE)	(1)	
018	87534-ZE1-841	LABEL, AIR CLEANER CAUTION	1	
018	87534-ZE1-841	LABEL, AIR CLEANER CAUTION	(1)	
019	87535-ZE1-841	MARK, AIR CLEANER SALES POINT	1	
019	87535-ZE1-841	MARK, AIR CLEANER SALES POINT	(1)	
021	87565-ZE2-000	MARK, FUEL INDICATION (JAPANESE)	1	
021	87565-ZE2-000	MARK, FUEL INDICATION (JAPANESE)	(1)	
021	87565-ZE2-810	MARK, FUEL INDICATION (ENGLISH)	(1)	
021	87565-ZE2-810	MARK, FUEL INDICATION (ENGLISH)	(1)	
024	87114-ZH7-000	LABEL, WARNING (NOT CERTIFIED FOR SALE)	1	
024	87114-ZH7-000	LABEL, WARNING (NOT CERTIFIED FOR SALE)	1	1055702



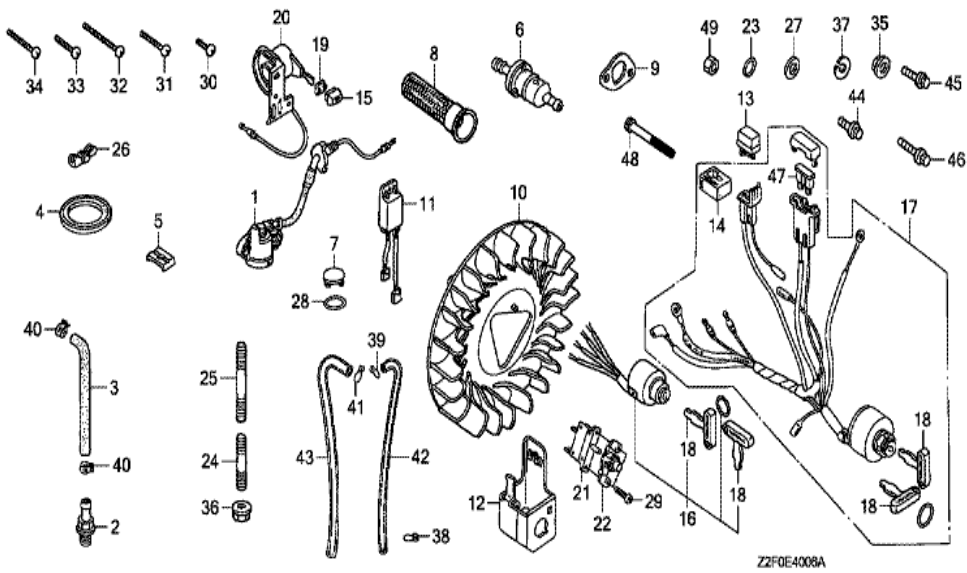
Z2F0E2900A

<u>Ref</u>	<u>Partnumber</u>	<u>Description</u>	<u>GX160K1</u>	<u>Serial Numbers</u>
003	89000-ZE1-000	TOOL KIT	1	
003	89000-ZE1-000	TOOL KIT	(1)	
010	89216-809-000	WRENCH COMP., SPARK PLUG	(1)	
010	89216-809-000	WRENCH COMP., SPARK PLUG	(1)	
010	89218-ZE1-000	WRENCH COMP., SPARK PLUG	(1)	
010	89218-ZE1-000	WRENCH COMP., SPARK PLUG	(1)	
011	89219-805-000	HANDLE, BOX WRENCH	1	
011	89219-805-000	HANDLE, BOX WRENCH	(1)	
013	99001-10120	SPANNER, 10X12	1	
013	99001-10120	SPANNER, 10X12	(1)	
015	99001-14170	SPANNER, 14X17	1	
015	99001-14170	SPANNER, 14X17	(1)	
016	99008-02300	BAG, TOOL, 230MM	(1)	
<u>Ref</u>	<u>Partnumber</u>	<u>Description</u>	<u>GX160K1</u>	<u>Serial Numbers</u>
016	99008-02300	BAG, TOOL, 230MM	(1)	

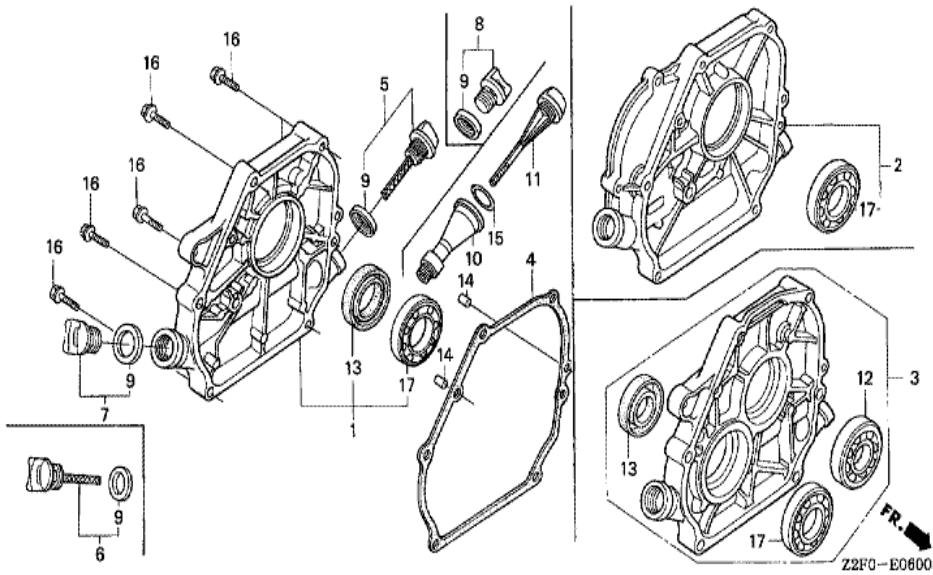


Ref	Partnumber	Description	GX160K1	Serial Numbers
001	12000-ZH8-425	BARREL ASSY., CYLINDER	1	
001	12000-ZH8-426	BARREL ASSY., CYLINDER (OIL ALERT)	1	
001	12000-ZH8-426	BARREL ASSY., CYLINDER (OIL ALERT)	1	
002	15510-ZE1-033	SWITCH ASSY., OIL LEVEL	1	
002	15510-ZE1-033	SWITCH ASSY., OIL LEVEL	(1)	1359761
002	15510-ZE1-043	SWITCH ASSY., OIL LEVEL	1	1359762 1513849
002	15510-ZE1-043	SWITCH ASSY., OIL LEVEL	(1)	1359762
003	16510-ZE1-000	GOVERNOR ASSY.	1	
003	16510-ZE1-000	GOVERNOR ASSY.	1	
004	16511-ZE1-000	WEIGHT, GOVERNOR	2	
005	16512-ZE1-000	HOLDER, GOVERNOR WEIGHT	1	
006	16513-ZE1-000	PIN, GOVERNOR WEIGHT	2	
007	16531-ZE1-000	SLIDER, GOVERNOR	1	

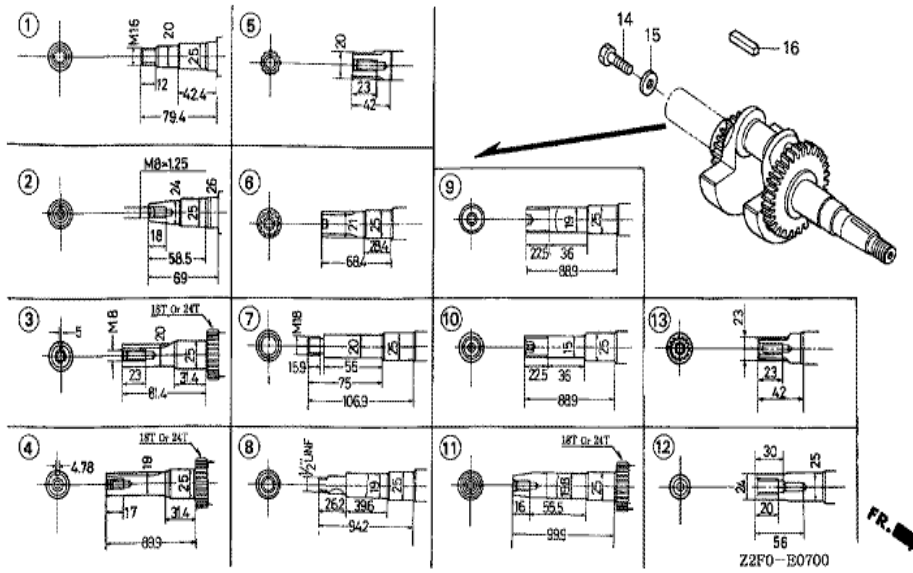
<u>Ref</u>	<u>Partnumber</u>	<u>Description</u>	<u>GX160K1</u>	<u>Serial Numbers</u>
008	16541-ZE1-000	SHAFT, GOVERNOR ARM	1	
012	90131-ZE1-000	BOLT, DRAIN PLUG	2	
013	90451-ZE1-000	WASHER, THRUST, 6MM	1	
014	90601-ZE1-000	WASHER, DRAIN PLUG, 10.2MM	2	
015	90602-ZE1-000	CLIP, GOVERNOR HOLDER	1	
016	91001-Z1T-003	BEARING, RADIAL BALL, 6205 (NSK)	1	
016	91001-ZF1-003	BEARING, RADIAL BALL (6205TMB) (NTN)	1	
016	91001-ZF1-003	BEARING, RADIAL BALL (6205TMB) (NTN)	1	
016	91001-ZF1-004	BEARING, RADIAL BALL (6205SH) (KOYO)	1	
016	91001-ZF1-004	BEARING, RADIAL BALL (6205SH) (KOYO)	1	
017	91201-Z0T-801	OIL SEAL, 25X41X6 (NOK)	1	
018	91353-671-004	O-RING, 14MM (NOK)	1	
018	91353-671-004	O-RING, 14MM (NOK)	(1)	
019	94050-10000	NUT, FLANGE, 10MM	1	
019	94050-10000	NUT, FLANGE, 10MM	(1)	
020	94101-06800	WASHER, PLAIN, 6MM	2	
021	94251-08000	PIN, LOCK, 8MM	1	
023	95701-0601200	BOLT, FLANGE, 6X12	2	
023	95701-0601200	BOLT, FLANGE, 6X12	(2)	



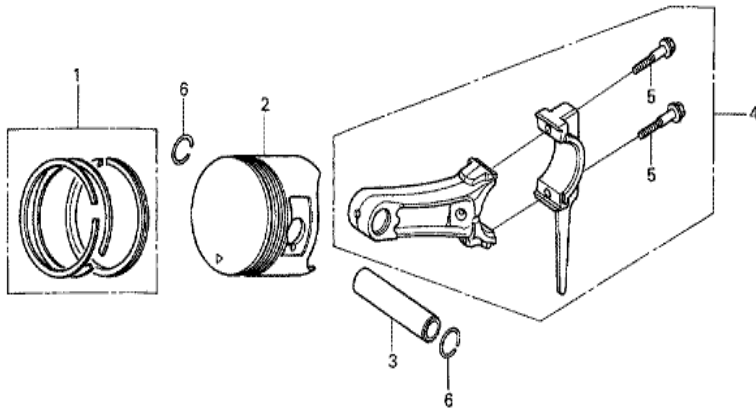
Ref	Partnumber	Description	GX160K1	Serial Numbers
016	35100-ZE1-013	SWITCH ASSY., COMBINATION	(1)	
018	35111-880-013	KEY COMP. (HONDA LOCK)	2	
018	35111-880-013	KEY COMP. (HONDA LOCK)	(2)	



Ref	Partnumber	Description	GX160K1	Serial Numbers
002	11300-ZE1-613	COVER ASSY., CRANKCASE	1	
004	11381-ZH8-801	PACKING, CASE COVER (NON ASBESTOS)	1	
004	11381-ZH8-801	PACKING, CASE COVER (NON ASBESTOS)	(1)	
005	15600-ZE1-003	CAP ASSY., OIL FILLER (GRAY)	1	
007	15600-ZG4-003	CAP ASSY., OIL FILLER	1	
009	15625-ZE1-003	PACKING, OIL FILLER CAP	1	
009	15625-ZE1-003	PACKING, OIL FILLER CAP	2	
014	94301-08140	DOWEL PIN, 8X14	2	
016	95701-0803200	BOLT, FLANGE, 8X32	6	
017	96100-6205000	BEARING, RADIAL BALL, 6205	1	



Ref	Partnumber	Description	GX160K1	Serial Numbers
005	13310-ZE1-610	CRANKSHAFT COMP. (L=209.5)	1	
014	92000-080250A	BOLT, HEX., 8X25	(1)	1347412
014	92000-080250A	BOLT, HEX., 8X25	(1)	1347412
014	92101-080250A	BOLT, HEX., 8X25	1	
014	92101-080250A	BOLT, HEX., 8X25	(1)	1347413
014	92101-080250A	BOLT, HEX., 8X25	1	
014	92101-080250A	BOLT, HEX., 8X25	(1)	1347413
015	90473-842-000	WASHER, 8MM	1	
015	90473-842-000	WASHER, 8MM	(1)	
016	90741-883-810	KEY, 5X5X33 (YELLOW)	1	
016	90741-883-810	KEY, 5X5X33 (YELLOW)	(1)	

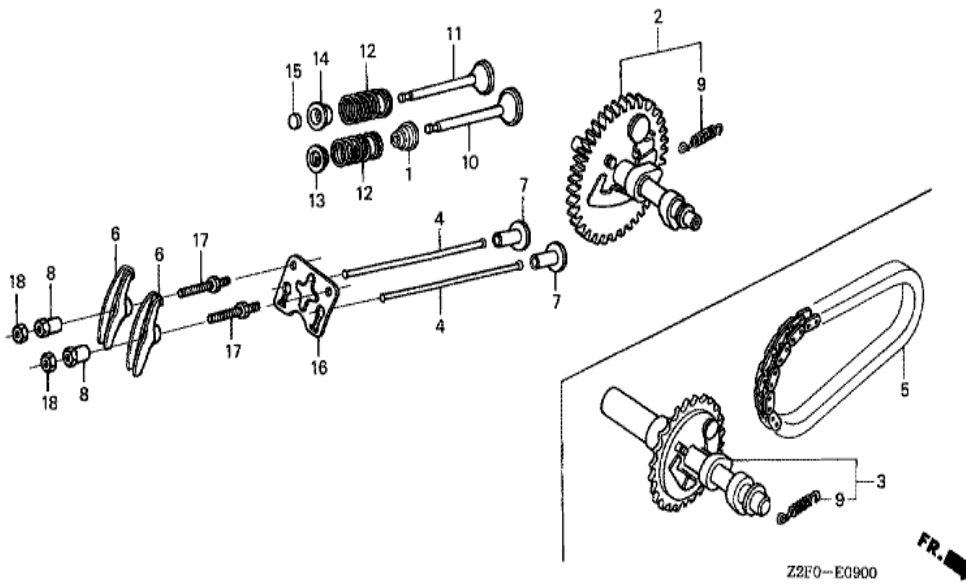


Z2F0-E0800



Ref	Partnumber	Description	GX160K1	Serial Numbers
001	13010-Z4K-004	RING SET, PISTON (STD.) (TPR)	1	1314913
001	13010-ZL0-003	RING SET, PISTON (STD.) (TEIKOKU)	1	1335725
001	13010-ZL0-003	RING SET, PISTON (STD.) (TEIKOKU)	1	1314912
001	13010-ZL0-004	RING SET, PISTON (STD.) (NIPPON)	1	1335725
001	13010-ZL0-004	RING SET, PISTON (STD.) (NIPPON)	1	1314912
001	13011-Z4K-004	RING SET, PISTON (0.25) (TPR)	(1)	1335726
001	13011-Z4K-004	RING SET, PISTON (0.25) (TPR)	(1)	1314913
001	13011-ZL0-003	RING SET, PISTON (0.25) (TEIKOKU)	(1)	1314912
001	13011-ZL0-003	RING SET, PISTON (0.25) (TEIKOKU)	(1)	1314912
001	13011-ZL0-004	RING SET, PISTON (0.25) (NIPPON)	(1)	1335725
001	13011-ZL0-004	RING SET, PISTON (0.25) (NIPPON)	(1)	1314912
001	13012-Z4K-004	RING SET, PISTON (0.50) (TPR)	(1)	1314913
001	13012-Z4K-004	RING SET, PISTON (0.50) (TPR)	(1)	1314913

<u>Ref</u>	<u>Partnumber</u>	<u>Description</u>	<u>GX160K1</u>	<u>Serial Numbers</u>
001	13012-ZL0-003	RING SET, PISTON (0.50) (TEIKOKU)	(1)	
001	13012-ZL0-003	RING SET, PISTON (0.50) (TEIKOKU)	(1)	1314912
001	13012-ZL0-004	RING SET, PISTON (0.50) (NIPPON)	(1)	1335725
001	13012-ZL0-004	RING SET, PISTON (0.50) (NIPPON)	(1)	1314912
001	13013-Z4K-004	RING SET, PISTON (0.75) (TPR)	(1)	1314913
001	13013-Z4K-004	RING SET, PISTON (0.75) (TPR)	(1)	1314913
001	13013-ZL0-003	RING SET, PISTON (0.75) (TEIKOKU)	(1)	1335725
001	13013-ZL0-003	RING SET, PISTON (0.75) (TEIKOKU)	(1)	1314912
001	13013-ZL0-004	RING SET, PISTON (0.75) (NIPPON)	(1)	1314912
001	13013-ZL0-004	RING SET, PISTON (0.75) (NIPPON)	(1)	1314912
002	13101-ZH8-010	PISTON (STD.)	1	
002	13101-ZH8-010	PISTON (STD.)	1	1314912
002	13101-ZH8-020	PISTON (STD.)	1	1314913
002	13101-ZH8-020	PISTON (STD.)	1	1314913
002	13102-ZH8-010	PISTON (0.25)	(1)	
002	13102-ZH8-010	PISTON (0.25)	(1)	1314912
002	13102-ZH8-020	PISTON (0.25)	(1)	1314913
002	13102-ZH8-020	PISTON (0.25)	(1)	1314913
002	13103-ZH8-010	PISTON (0.50)	(1)	1314912
002	13103-ZH8-010	PISTON (0.50)	(1)	1314912
002	13103-ZH8-020	PISTON (0.50)	(1)	1314913
002	13103-ZH8-020	PISTON (0.50)	(1)	1314913
002	13104-ZH8-010	PISTON (0.75)	(1)	
002	13104-ZH8-010	PISTON (0.75)	(1)	1314912
002	13104-ZH8-020	PISTON (0.75)	(1)	
002	13104-ZH8-020	PISTON (0.75)	(1)	1314913
003	13111-ZE1-000	PIN, PISTON	1	
004	13200-ZE1-010	ROD ASSY., CONNECTING (STD.)	1	
004	13200-ZE1-010	ROD ASSY., CONNECTING (STD.)	1	1596553
004	13200-ZE1-020	ROD ASSY., CONNECTING (STD.)	1	1596554
004	13200-ZE1-020	ROD ASSY., CONNECTING (STD.)	1	1596554
005	90001-ZE1-000	BOLT, CONNECTING ROD	2	
006	90551-ZE1-000	CLIP, PISTON PIN, 18MM	2	



Ref	Partnumber	Description	GX160K1	Serial Numbers
001	12209-ZH8-003	SEAL, VALVE STEM	1	
002	14100-ZE1-812	CAMSHAFT ASSY.	1	
002	14100-ZE1-812	CAMSHAFT ASSY.	1	
004	14410-ZE1-010	ROD, PUSH	2	
006	14431-ZE1-000	ARM, VALVE ROCKER	2	
007	14441-ZE1-010	LIFTER, VALVE	2	
008	14451-ZE1-013	PIVOT, ROCKER ARM	2	
009	14568-ZE1-000	SPRING, WEIGHT RETURN	1	
010	14711-ZF1-000	VALVE, IN.	1	
011	14721-ZH8-810	VALVE, EX. (STELLITE)	(1)	
011	14721-ZH8-810	VALVE, EX. (STELLITE)	(1)	
012	14751-ZF1-000	SPRING, VALVE	2	
013	14771-ZE1-000	RETAINER, IN. VALVE SPRING	1	
<u>Ref</u>	<u>Partnumber</u>	<u>Description</u>	<u>GX160K1</u>	<u>Serial Numbers</u>
014	14773-ZE1-000	RETAINER, EX. VALVE SPRING	1	
015	14781-ZE1-000	ROTATOR, VALVE	1	
016	14791-ZE1-010	PLATE, PUSH ROD GUIDE	1	
017	90012-ZE0-010	BOLT, PIVOT, 8MM	2	
018	90206-ZE1-000	NUT, PIVOT ADJUSTING	2	