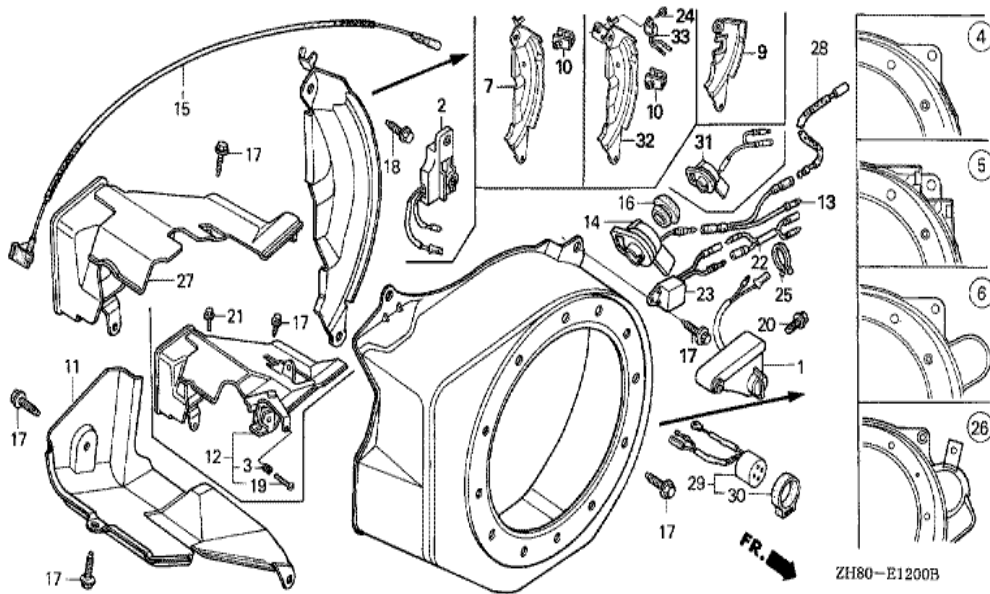


ZH80-E1100

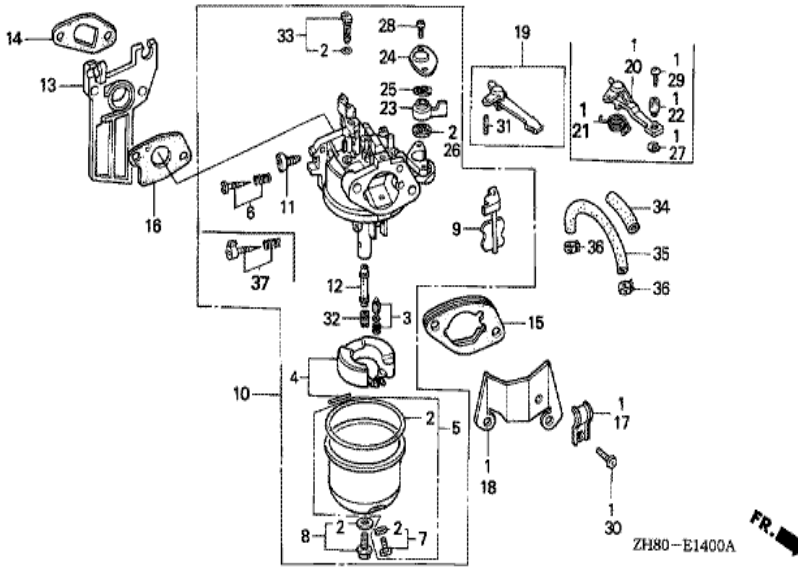


Ref	Partnumber	Description	GX160K1	Serial Numbers
001	28400-ZH8-013YA	STARTER ASSY., RECOIL *R280 *	1	8367073
001	28400-ZH8-013ZA	STARTER ASSY., RECOIL *R8 *	1	8367072
001	28400-ZH8-821ZA	STARTER ASSY., RECOIL (LONG ROPE) *R8 *	(1)	2438252
001	28400-ZH8-822ZA	STARTER ASSY., RECOIL (LONG ROPE) *R8 *	1	8366916
002	28410-ZH8-003YA	CASE COMP., RECOIL STARTER *R280 *	1	8367073
002	28410-ZH8-003ZA	CASE COMP., RECOIL STARTER *R8 *	1	8367072
003	28420-ZH8-013	REEL, RECOIL STARTER (NATURAL)	(1)	
004	28422-ZH8-013	RATCHET, STARTER	(2)	
005	28433-ZH8-003	GUIDE, RATCHET	(1)	
006	28441-ZH8-003	SPRING, FRICTION	(1)	
007	28442-ZH8-003	SPRING, RECOIL STARTER	(1)	
008	28443-ZH8-003	SPRING, RETURN	(2)	
009	28461-ZH8-003	GRIP, STARTER	(1)	
<u>Ref</u>	<u>Partnumber</u>	<u>Description</u>	<u>GX160K1</u>	<u>Serial Numbers</u>
010	28462-ZH8-003	ROPE, RECOIL STARTER	(1)	
011	28462-ZH8-821	ROPE, RECOIL STARTER (LONG)	(1)	
012	90003-ZH8-003	SCREW, SETTING	(1)	
013	90008-ZE2-003	BOLT, FLANGE, 6X10	(3)	
018	28470-816-000	ROPE, STARTER	(1)	



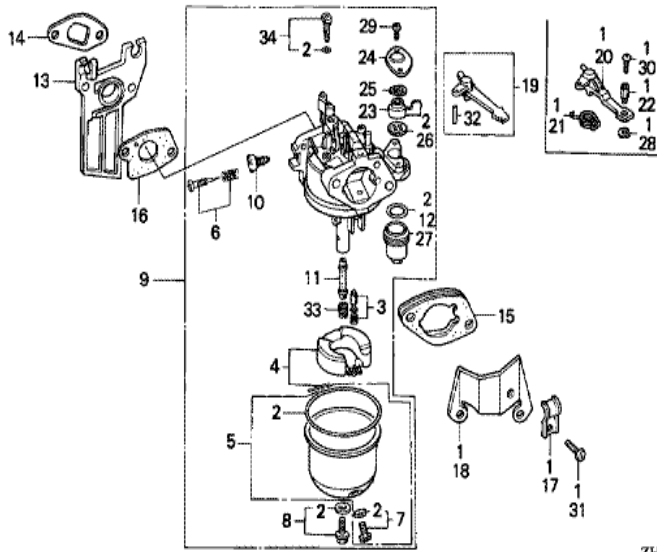
Ref	Partnumber	Description	GX160K1	Serial Numbers
001	15520-ZE1-003	ALERT UNIT, OIL	(1)	2468252
004	19610-ZE1-000ZA	COVER COMP., FAN *R8 *	1	8369925
004	19610-ZE1-000ZP	COVER COMP., FAN *R280 *	1	8369926
005	19610-ZE1-810ZA	COVER COMP., FAN (OIL ALERT) *R8 *	(1)	2468252
006	19610-ZE1-820ZA	COVER COMP., FAN (STARTER MOTOR) *R8*	1	8366916
006	19610-ZE1-820ZG	COVER COMP., FAN (STARTER MOTOR) *R280 *	(1)	8366917
007	19612-ZH8-000	PLATE, SIDE (STD.)	(1)	
007	19612-ZH8-810	PLATE, SIDE (OIL ALERT)	1	4795905
007	19612-ZH8-811	PLATE, SIDE (OIL ALERT)	1	4795906 5066322
007	19612-ZH8-812	PLATE, SIDE (OIL ALERT)	1	5066323 5372718
007	19612-ZH8-820	PLATE, SIDE (LAMP)	1	4795906 5066322
007	19612-ZH8-821	PLATE, SIDE (LAMP)	1	5066323 5372718
007	19612-ZH8-830	PLATE, SIDE (ALERT & LAMP)	(1)	4795905

<u>Ref</u>	<u>Partnumber</u>	<u>Description</u>	<u>GX160K1</u>	<u>Serial Numbers</u>
009	19612-ZH8-840	PLATE, SIDE (STARTER MOTOR)	(1)	
010	19613-ZE1-000	CLAMPER, CORD	1	4368640
010	90601-ZH7-013	CLIP, HARNESS	1	4368641
011	19630-ZH8-000	SHROUD COMP.	1	
013	32197-ZH8-003	SUB HARNESS	1	2468253
014	36100-ZE1-015	SWITCH ASSY., ENGINE STOP	1	2468253 4368640
014	36100-ZH7-003	SWITCH ASSY., ENGINE STOP	1	4368641
015	36101-ZB2-010	CORD, STOP SWITCH (395MM)	(1)	
015	36101-ZE1-010	CORD, STOP SWITCH (370MM)	(1)	
016	81329-567-020	GROMMET, DRAIN HOLE	(1)	
017	90013-883-000	BOLT, FLANGE, 6X12 (CT200)	4	
018	90022-888-010	BOLT, FLANGE, 6X20 (CT200)	(1)	
020	95701-0600800	BOLT, FLANGE, 6X8	(2)	2468252
022	32105-ZH8-V10	CABLE, DOUBLE CONNECTOR	(1)	5372719
024	95701-0600800	BOLT, FLANGE, 6X8	1	5372719
026	19610-ZE1-830ZB	COVER COMP., FAN (STARTER MOTOR) *R8 *	1	8373305
026	19610-ZE1-830ZG	COVER COMP., FAN (STARTER MOTOR) *R280 *	(1)	8373306
032	19611-ZH8-810	PLATE COMP., SIDE (OIL ALERT)	1	5372719
033	34150-ZH7-003	ALERT UNIT, OIL	1	5372719



Ref	Partnumber	Description	GX160K1	Serial Numbers
001	06164-ZE1-000	CHOKE KIT, REMOTE CONTROL	(1)	
002	16010-ZE0-025	GASKET SET	(1)	
003	16011-ZE0-005	VALVE SET, FLOAT	(1)	
004	16013-ZE0-005	FLOAT SET	(1)	
005	16015-ZE1-811	CHAMBER SET, FLOAT	1	BE06H B
006	16016-ZE0-005	SCREW SET, PILOT	1	BE06H C
007	16024-ZE1-811	SCREW SET, DRAIN	(1)	
008	16028-ZE0-005	SCREW SET	(1)	
009	16044-ZE0-005	CHOKE SET	1	BE06H B
010	16100-ZH8-810	CARBURETOR ASSY. (BE06H A)	(1)	2895090
010	16100-ZH8-811	CARBURETOR ASSY. (BE06H B)	1	2895091 4012407
011	16124-ZE0-005	SCREW, THROTTLE STOP	(1)	
012	16166-ZH8-810	NOZZLE, MAIN	(1)	BE06H A

<u>Ref</u>	<u>Partnumber</u>	<u>Description</u>	<u>GX160K1</u>	<u>Serial Numbers</u>
012	16166-ZH8-W50	NOZZLE, MAIN	1	BE06H B
013	16211-ZE1-000	INSULATOR, CARBURETOR	1	
014	16212-ZH8-800	PACKING, INSULATOR	(1)	
015	16220-ZE1-020	SPACER COMP., CARBURETOR	1	
016	16221-ZH8-801	PACKING, CARBURETOR	(1)	
017	16582-883-300	HOLDER, CONTROL CABLE	(1)	
018	16598-ZE1-000	STAY, CHOKE CONTROL	(1)	
019	16610-ZE1-000	LEVER COMP., CHOKE (STD.)	(1)	
020	16610-ZE1-810	LEVER COMP., CHOKE (REMOTE)	(1)	
021	16615-ZE1-010	SPRING, RETURN	(1)	
022	16617-890-010	HOLDER, CABLE	(1)	
023	16953-ZE1-812	LEVER, COCK	(1)	
024	16954-ZE1-812	PLATE, LEVER SETTING	(1)	
025	16956-ZE1-811	SPRING, COCK LEVER	(1)	
026	16957-ZE1-812	PACKING, FUEL COCK	(1)	
027	90605-230-000	CIRCLIP, 5MM	(1)	
028	93500-030081G	SCREW, PAN, 3X8	(2)	BE06H B
029	93500-040080A	SCREW, PAN, 4X8	(1)	
030	93500-050080A	SCREW, PAN, 5X8	(1)	
031	94305-20122	PIN, SPRING, 2X12	(1)	
032	99101-ZF50680	JET, MAIN, #68	(1)	BE06H A
032	99101-ZF50700	JET, MAIN, #70	(1)	BE06H A
032	99101-ZF50720	JET, MAIN, #72	1	BE06H A
032	99101-ZH70650	JET, MAIN, #65	(1)	BE06H B BE06H B
032	99101-ZH70680	JET, MAIN, #68	(1)	BE06H B BE06H B
032	99101-ZH70700	JET, MAIN, #70	1	BE06H B BE06H B
032	99101-ZH80650	JET, MAIN, #65	(1)	BE06H C
032	99101-ZH80680	JET, MAIN, #68	(1)	BE06H C
032	99101-ZH80700	JET, MAIN, #70	1	BE06H C
033	99204-ZE00350	JET SET, PILOT, #35	1	
033	99204-ZE00380	JET SET, PILOT, #38	(1)	BE06H A

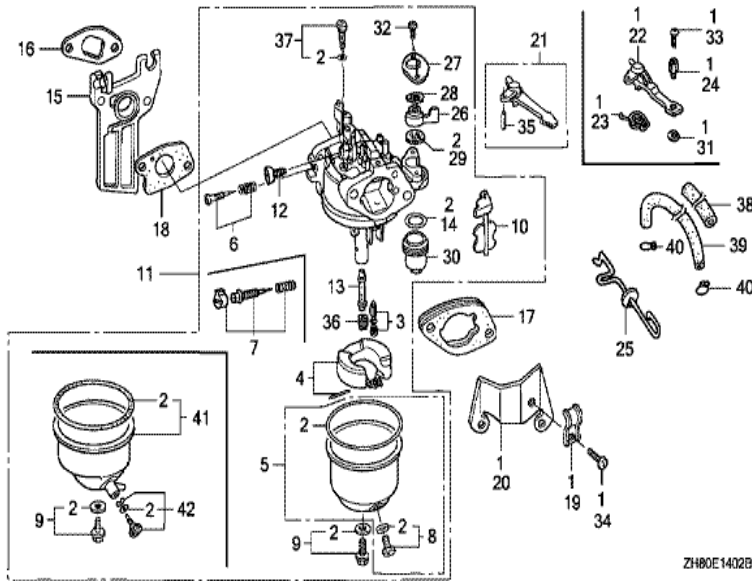


ZH80-E1401



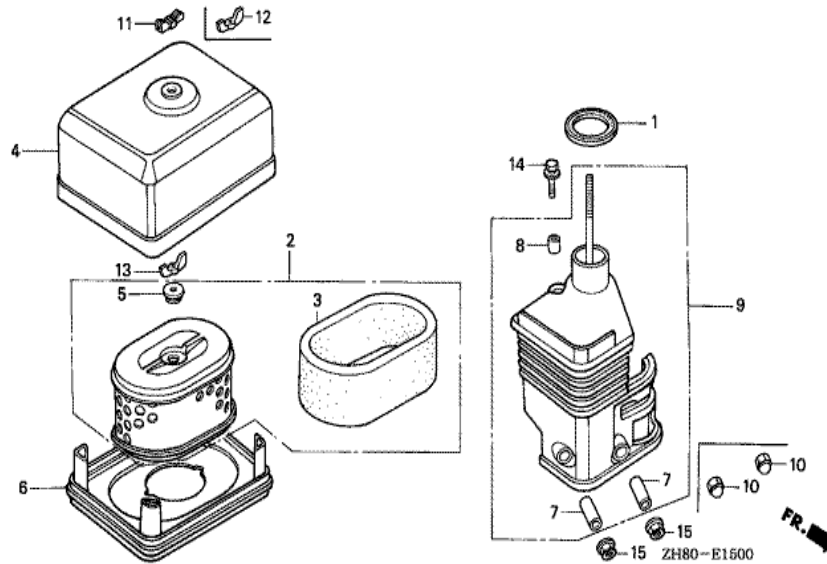
Ref	Partnumber	Description	GX160K1	Serial Numbers
001	06164-ZE1-000	CHOKE KIT, REMOTE CONTROL	(1)	
002	16010-ZE1-812	GASKET SET	(1)	
003	16011-ZE0-005	VALVE SET, FLOAT	(1)	
004	16013-ZE0-005	FLOAT SET	(1)	
005	16015-ZE0-831	CHAMBER SET, FLOAT	1	
005	16015-ZE1-811	CHAMBER SET, FLOAT	(1)	BE11C A
006	16016-ZE0-005	SCREW SET, PILOT	(1)	
007	16024-ZE1-811	SCREW SET, DRAIN	(1)	
008	16028-ZE0-005	SCREW SET	(1)	
009	16100-ZH8-800	CARBURETOR ASSY. (BE11C A)	(1)	4047733
009	16100-ZH8-801	CARBURETOR ASSY. (BE11C B)	1	
010	16124-ZE0-005	SCREW, THROTTLE STOP	(1)	
011	16166-ZH8-800	NOZZLE, MAIN	(1)	

<u>Ref</u>	<u>Partnumber</u>	<u>Description</u>	<u>GX160K1</u>	<u>Serial Numbers</u>
012	16173-001-004	PACKING, FUEL STRAINER CUP	(1)	
013	16211-ZE1-000	INSULATOR, CARBURETOR	1	
014	16212-ZH8-000	PACKING, INSULATOR	(1)	
014	16212-ZH8-800	PACKING, INSULATOR	1	
015	16220-ZE1-020	SPACER COMP., CARBURETOR	1	
016	16221-ZE1-000	PACKING, CARBURETOR	(1)	2630823
016	16221-ZH8-800	PACKING, CARBURETOR	(1)	2630824
016	16221-ZH8-801	PACKING, CARBURETOR	1	
017	16582-883-300	HOLDER, CONTROL CABLE	(1)	
018	16598-ZE1-000	STAY, CHOKE CONTROL	(1)	
019	16610-ZE1-000	LEVER COMP., CHOKE (STD.)	(1)	
020	16610-ZE1-810	LEVER COMP., CHOKE (REMOTE)	(1)	
021	16615-ZE1-010	SPRING, RETURN	(1)	
022	16617-890-010	HOLDER, CABLE	(1)	
023	16953-ZE1-812	LEVER, COCK	(1)	
024	16954-ZE1-812	PLATE, LEVER SETTING	(1)	
025	16956-ZE1-811	SPRING, COCK LEVER	(1)	
026	16957-ZE1-812	PACKING, FUEL COCK	(1)	
027	16967-ZE0-811	CUP, FUEL STRAINER	(1)	
028	90605-230-000	CIRCLIP, 5MM	(1)	
029	93500-030061H	SCREW, PAN, 3X6	2	
029	93500-030081G	SCREW, PAN, 3X8	(2)	BE11C A
030	93500-040080A	SCREW, PAN, 4X8	(1)	
031	93500-050080A	SCREW, PAN, 5X8	(1)	
032	94305-20122	PIN, SPRING, 2X12	(1)	
033	99101-ZF50620	JET, MAIN, #62	(1)	BE11C A
033	99101-ZF50650	JET, MAIN, #65	(1)	BE11C A
033	99101-ZF50680	JET, MAIN, #68	1	
033	99101-ZH80620	JET, MAIN, #62	(1)	BE11C B
033	99101-ZH80650	JET, MAIN, #65	(1)	BE11C B
033	99101-ZH80680	JET, MAIN, #68	1	BE11C B
034	99204-ZE00380	JET SET, PILOT, #38	(1)	

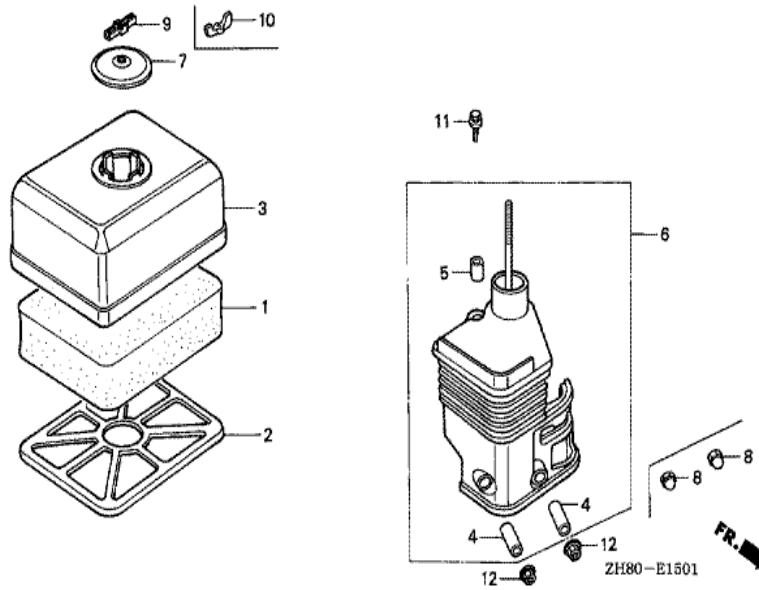


Ref	Partnumber	Description	GX160K1	Serial Numbers
001	06164-ZE1-000	CHOKE KIT, REMOTE CONTROL	(1)	
002	16010-ZE1-812	GASKET SET	(1)	
003	16011-ZE0-005	VALVE SET, FLOAT	(1)	
004	16013-ZE0-005	FLOAT SET	(1)	
005	16015-ZE1-811	CHAMBER SET, FLOAT	1	BE65B A
006	16016-ZE0-005	SCREW SET, PILOT	1	BE06J C
008	16024-ZE1-811	SCREW SET, DRAIN	(1)	
009	16028-ZE0-005	SCREW SET	(1)	
010	16044-ZE0-005	CHOKE SET	1	BE06J B
011	16100-ZH8-820	CARBURETOR ASSY. (BE06J A)	1	2895090
011	16100-ZH8-821	CARBURETOR ASSY. (BE06J B)	1	2895091 4012551
012	16124-ZE0-005	SCREW, THROTTLE STOP	(1)	
013	16166-ZH8-810	NOZZLE, MAIN	1	BE06J A

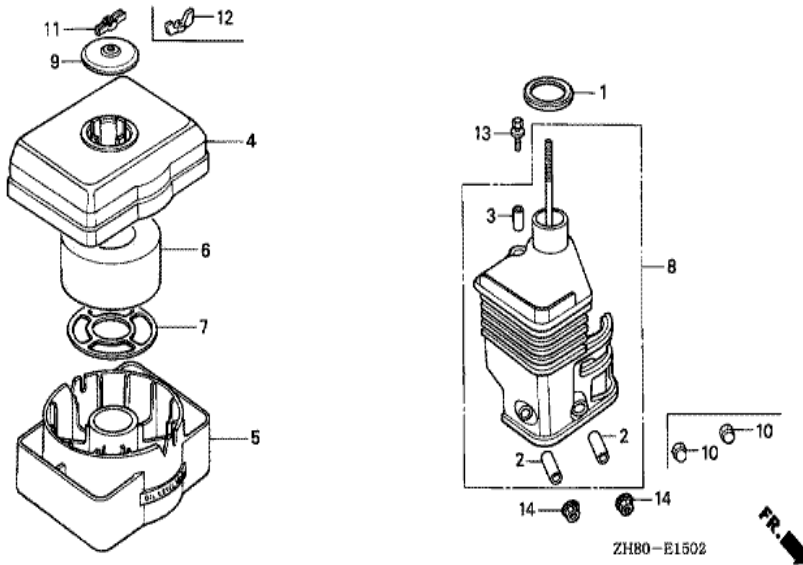
<u>Ref</u>	<u>Partnumber</u>	<u>Description</u>	<u>GX160K1</u>	<u>Serial Numbers</u>
013	16166-ZH8-W50	NOZZLE, MAIN	1	BE06J B
014	16173-001-004	PACKING, FUEL STRAINER CUP	(1)	
015	16211-ZE1-000	INSULATOR, CARBURETOR	1	
016	16212-ZH8-000	PACKING, INSULATOR	(1)	2630823
016	16212-ZH8-800	PACKING, INSULATOR	1	2630824
017	16220-ZE1-020	SPACER COMP., CARBURETOR	1	
018	16221-ZE1-000	PACKING, CARBURETOR	1	2630823
018	16221-ZH8-800	PACKING, CARBURETOR	1	3427128
018	16221-ZH8-801	PACKING, CARBURETOR	1	3427589
019	16582-883-300	HOLDER, CONTROL CABLE	(1)	
020	16598-ZE1-000	STAY, CHOKE CONTROL	(1)	
021	16610-ZE1-000	LEVER COMP., CHOKE (STD.)	(1)	
022	16610-ZE1-810	LEVER COMP., CHOKE (REMOTE)	(1)	
023	16615-ZE1-010	SPRING, RETURN	(1)	
024	16617-890-010	HOLDER, CABLE	(1)	
026	16953-ZE1-811	LEVER, COCK	1	BE06J B
026	16953-ZE1-812	LEVER, COCK	1	BE06J C
027	16954-ZE1-812	PLATE, LEVER SETTING	1	BE65B B
028	16956-ZE1-811	SPRING, COCK LEVER	(1)	
029	16957-ZE1-812	PACKING, FUEL COCK	(1)	
030	16967-ZE0-811	CUP, FUEL STRAINER	(1)	
031	90605-230-000	CIRCLIP, 5MM	(1)	
032	93500-030081G	SCREW, PAN, 3X8	2	BE65B A
033	93500-040080A	SCREW, PAN, 4X8	(1)	
034	93500-050080A	SCREW, PAN, 5X8	(1)	
035	94305-20122	PIN, SPRING, 2X12	(1)	
036	99101-ZF50680	JET, MAIN, #68	(1)	BE06J A
036	99101-ZF50700	JET, MAIN, #70	(1)	BE06J A
036	99101-ZF50720	JET, MAIN, #72	1	BE06J A
036	99101-ZH70650	JET, MAIN, #65	(1)	BE06J B BE06J B
036	99101-ZH70680	JET, MAIN, #68	(1)	BE06J B BE06J B
036	99101-ZH70700	JET, MAIN, #70	1	BE06J B BE06J B
036	99101-ZH80650	JET, MAIN, #65	(1)	BE06J C
<u>Ref</u>	<u>Partnumber</u>	<u>Description</u>	<u>GX160K1</u>	<u>Serial Numbers</u>
036	99101-ZH80680	JET, MAIN, #68	(1)	BE06J C
036	99101-ZH80700	JET, MAIN, #70	1	BE65B B
037	99204-ZE00350	JET SET, PILOT, #35	1	BE06J B
037	99204-ZE00380	JET SET, PILOT, #38	1	BE06J A



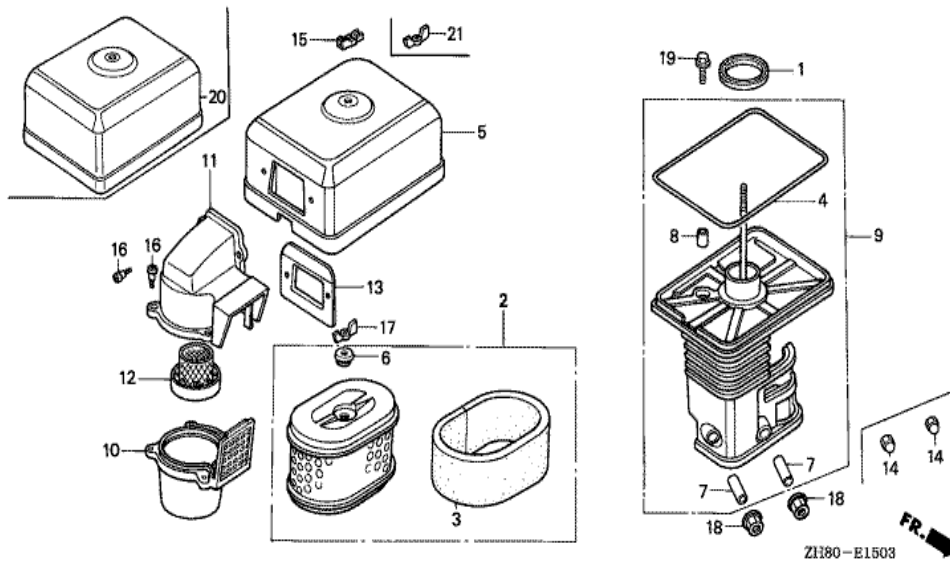
<u>Ref</u>	<u>Partnumber</u>	<u>Description</u>	<u>GX160K1</u>	<u>Serial Numbers</u>
001	16271-ZE1-000	PACKING, ELBOW	(1)	
002	17210-ZE1-822	ELEMENT, AIR CLEANER (DUAL)	(1)	
003	17218-ZE1-821	FILTER, OUTER	(1)	
004	17230-ZE1-820	COVER, AIR CLEANER (DUAL)	(1)	
005	17232-891-000	GROMMET, AIR CLEANER	(1)	
006	17235-ZE1-831	NOSE, SILENCER	(1)	
007	17238-ZE7-010	COLLAR, AIR CLEANER	(2)	
008	17239-ZE1-000	COLLAR B, AIR CLEANER	(1)	
009	17410-ZE1-020	ELBOW COMP., AIR CLEANER	(1)	
010	90201-415-000	NUT, CAP, 6MM	2	2708121
011	90203-PB2-000	NUT, AIR CLEANER COVER (DACRO COATING)	(1)	2468252
011	90203-ZA0-800	NUT, WING, 6MM (BLACK)	1	2468253 2836833
012	90325-044-000	NUT, TOOL BOX SETTING	1	2836834
<u>Ref</u>	<u>Partnumber</u>	<u>Description</u>	<u>GX160K1</u>	<u>Serial Numbers</u>
013	90325-044-000	NUT, TOOL BOX SETTING	(1)	
014	93494-0602008	BOLT-WASHER, 6X20	(1)	
015	94050-06000	NUT, FLANGE, 6MM	2	2708122



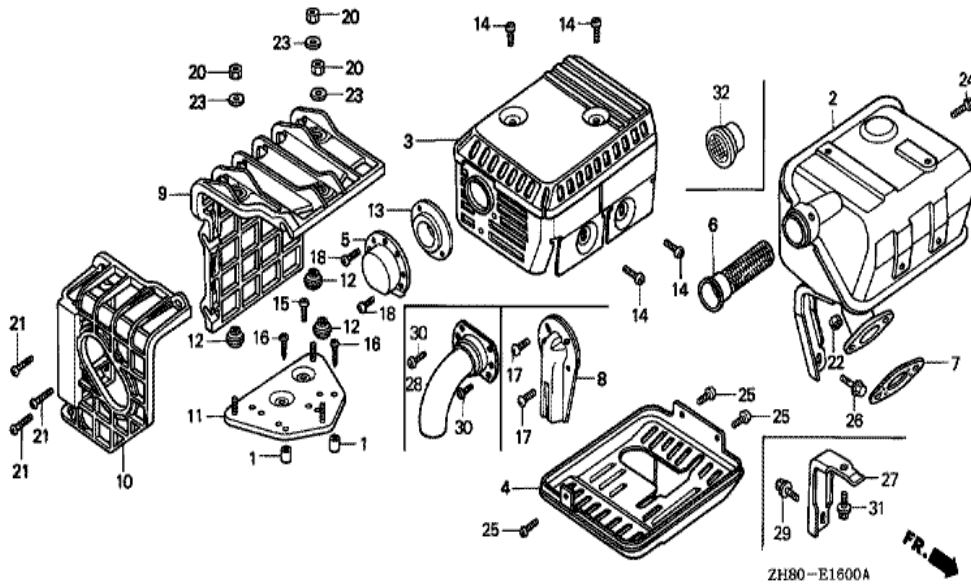
Ref	Partnumber	Description	GX160K1	Serial Numbers
001	17211-ZE1-000	ELEMENT, AIR CLEANER (SEMI DRY)	(1)	
002	17212-ZE1-000	GRID, AIR CLEANER (SEMI DRY)	(1)	
003	17231-ZE1-000	COVER, AIR CLEANER (SEMI DRY)	(1)	
004	17238-ZE7-010	COLLAR, AIR CLEANER	(2)	
005	17239-ZE1-000	COLLAR B, AIR CLEANER	(1)	
006	17410-ZE1-020	ELBOW COMP., AIR CLEANER	(1)	
007	17421-ZE1-000	CAP, CLEANER	(1)	
008	90201-415-000	NUT, CAP, 6MM	2	2708121
009	90203-PB2-000	NUT, AIR CLEANER COVER (DACRO COATING)	(1)	2468252
009	90203-ZA0-800	NUT, WING, 6MM (BLACK)	1	2468253 2836833
010	90325-044-000	NUT, TOOL BOX SETTING	1	2836834
011	93494-0602008	BOLT-WASHER, 6X20	(1)	
012	94050-06000	NUT, FLANGE, 6MM	2	2708122



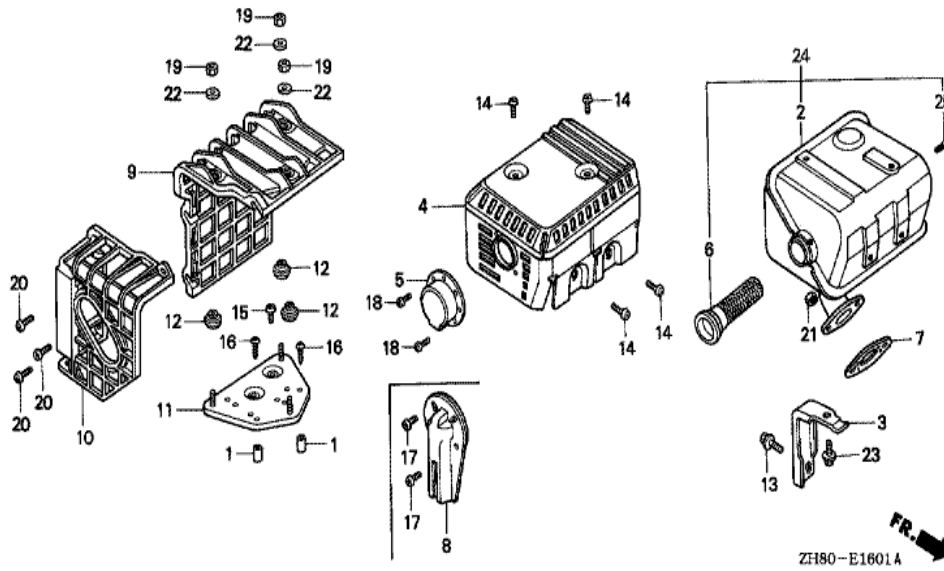
<u>Ref</u>	<u>Partnumber</u>	<u>Description</u>	<u>GX160K1</u>	<u>Serial Numbers</u>
001	16271-ZE1-000	PACKING, ELBOW	(1)	
002	17238-ZE7-010	COLLAR, AIR CLEANER	(2)	
003	17239-ZE1-000	COLLAR B, AIR CLEANER	(1)	
004	17401-ZE1-810	BODY, CLEANER (OIL BATH)	(1)	
005	17402-ZE1-810	PAN, CLEANER OIL (OIL BATH)	(1)	
006	17403-ZE1-810	ELEMENT, AIR CLEANER (OIL BATH)	(1)	
007	17404-841-000	GRID, AIR CLEANER	(1)	
008	17410-ZE1-020	ELBOW COMP., AIR CLEANER	(1)	
009	17421-ZE1-000	CAP, CLEANER	(1)	
010	90201-415-000	NUT, CAP, 6MM	2	
011	90203-PB2-000	NUT, AIR CLEANER COVER (DACRO COATING)	(1)	2468252
011	90203-ZA0-800	NUT, WING, 6MM (BLACK)	1	2468253 2836833
012	90325-044-000	NUT, TOOL BOX SETTING	1	2836834
<u>Ref</u>	<u>Partnumber</u>	<u>Description</u>	<u>GX160K1</u>	<u>Serial Numbers</u>
013	93494-0602008	BOLT-WASHER, 6X20	(1)	
014	94050-06000	NUT, FLANGE, 6MM	2	2709372



<u>Ref</u>	<u>Partnumber</u>	<u>Description</u>	<u>GX160K1</u>	<u>Serial Numbers</u>
001	16271-ZE1-000	PACKING, ELBOW	(1)	
002	17210-ZE1-822	ELEMENT, AIR CLEANER (DUAL)	(1)	
003	17218-ZE1-821	FILTER, OUTER	(1)	
004	17219-733-010	PACKING, AIR CLEANER COVER	(1)	
005	17230-ZE1-841	COVER, AIR CLEANER (CYCLONE)	(1)	
006	17232-891-000	GROMMET, AIR CLEANER	(1)	
007	17238-ZE7-010	COLLAR, AIR CLEANER	(2)	
008	17239-733-000	COLLAR B, AIR CLEANER	(1)	
009	17410-ZE1-840	ELBOW COMP., AIR CLEANER	(1)	
010	17470-ZE1-842	CASE, PRE AIR CLEANER	(1)	
011	17475-ZE1-841	CAP, PRE AIR CLEANER	(1)	
012	17476-ZE1-841	GUIDE, PRE AIR CLEANER	(1)	
013	17478-ZE1-841	PLATE, PRE AIR CLEANER	(1)	
<u>Ref</u>	<u>Partnumber</u>	<u>Description</u>	<u>GX160K1</u>	<u>Serial Numbers</u>
014	90201-415-000	NUT, CAP, 6MM	2	2709371
015	90203-PB2-000	NUT, AIR CLEANER COVER (DACRO COATING)	(1)	2468252
015	90203-ZA0-800	NUT, WING, 6MM (BLACK)	(1)	2468253 2836833
016	90300-GB0-900	BOLT, MUDGUARD	(5)	
017	90325-044-000	NUT, TOOL BOX SETTING	1	
018	94050-06000	NUT, FLANGE, 6MM	2	2709372
019	95701-0602000	BOLT, FLANGE, 6X20	(1)	
021	90325-044-000	NUT, TOOL BOX SETTING	(1)	

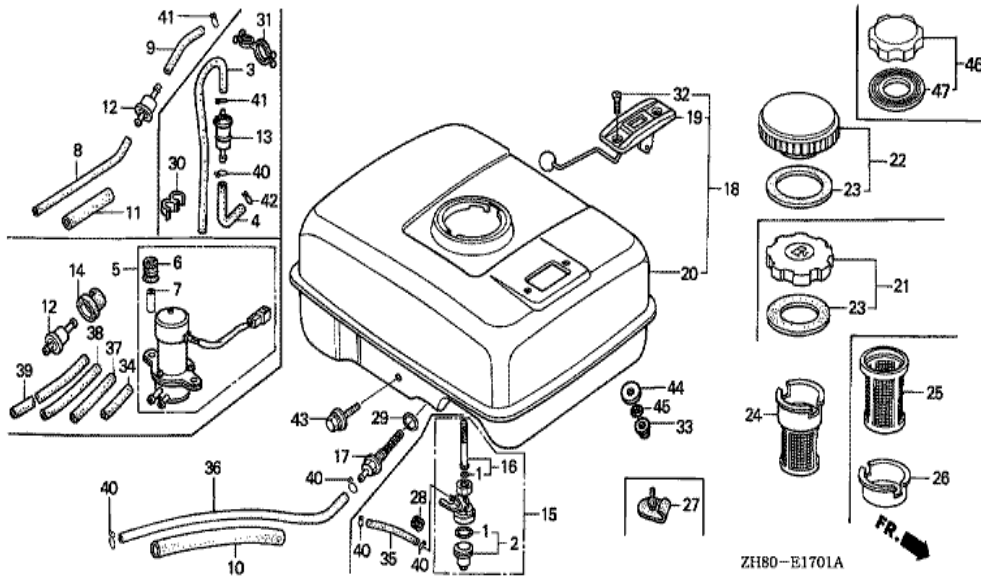


Ref	Partnumber	Description	GX160K1	Serial Numbers
002	18310-ZE1-900	MUFFLER COMP.	(1)	
002	18310-ZF1-000	MUFFLER COMP. (STD.)	(1)	
002	18310-ZH8-810	MUFFLER COMP. (ARRESTER)	(1)	
003	18320-ZE1-000	PROTECTOR, UPPER	(1)	2933995
003	18320-ZF1-H00	PROTECTOR, MUFFLER (STD.)	1	2081154 3244959
003	18320-ZF1-H01	PROTECTOR, MUFFLER (STD.) (BLACK)	1	3244960
003	18321-ZH8-000	PROTECTOR, UPPER	(1)	2081153
004	18325-ZE1-010	PROTECTOR, LOWER	(1)	
005	18331-883-810	CAP, MUFFLER	(1)	
006	18355-ZE1-000	ARRESTER, SPARK	(1)	
007	18381-ZH8-800	GASKET, MUFFLER	(1)	
013	18522-ZE1-000	GUIDE, MUFFLER	(1)	
014	90050-ZE1-000	SCREW, TAPPING, 5X8	(4)	
Ref	Partnumber	Description	GX160K1	Serial Numbers
018	90002-ZG0-003	SCREW, TAPPING, 4X8	2	
022	94001-080000S	NUT, HEX., 8MM	2	
024	90056-ZL0-000	SCREW, TAPPING, 4X6	(1)	
025	90055-ZE1-000	SCREW, TAPPING, 4X6	(3)	

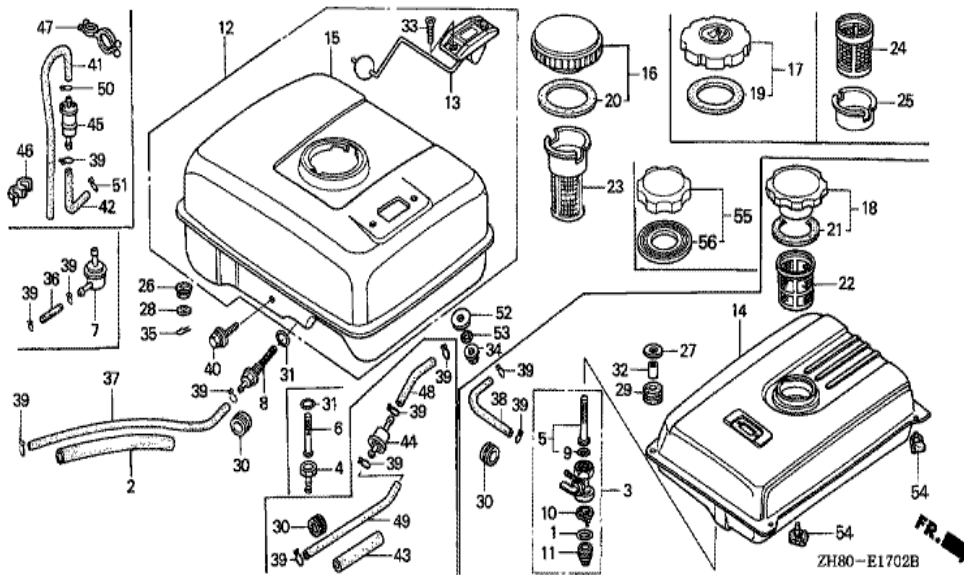


ZH80-E1601A

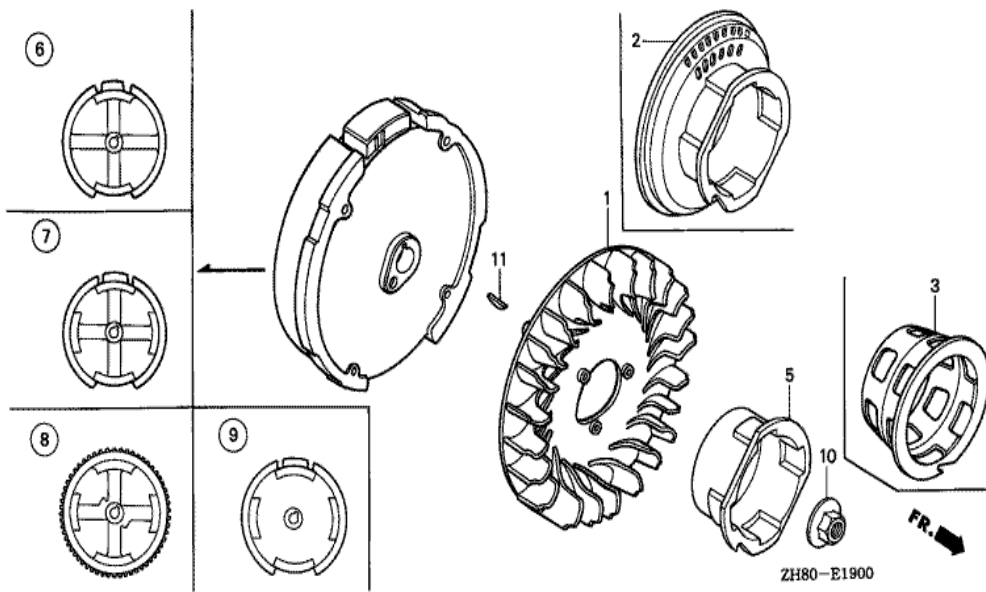
Ref	Partnumber	Description	GX160K1	Serial Numbers
002	18310-ZE1-821	MUFFLER COMP. (SILENT)	(1)	
003	18315-ZE1-000	STAY, MUFFLER	(1)	
004	18320-ZF1-H51	PROTECTOR, MUFFLER (SILENT)	(1)	
005	18331-883-810	CAP, MUFFLER	(1)	
006	18355-ZE1-810	ARRESTER, SPARK (SILENT)	(1)	
007	18381-ZH8-800	GASKET, MUFFLER	(1)	
013	90016-ZE1-000	BOLT, FLANGE, 6X13 (CT200)	(1)	
013	95701-0601200	BOLT, FLANGE, 6X12	(1)	3240676
013	95900-0601200	BOLT, FLANGE, 6X12	(1)	3240675
014	90050-ZE1-000	SCREW, TAPPING, 5X8	(4)	
018	90055-ZE1-000	SCREW, TAPPING, 4X6	(2)	
021	94001-080000S	NUT, HEX., 8MM	2	
023	95701-0601200	BOLT, FLANGE, 6X12	1	3240676
<u>Ref</u>	<u>Partnumber</u>	<u>Description</u>	<u>GX160K1</u>	<u>Serial Numbers</u>
023	95900-0601200	BOLT, FLANGE, 6X12	1	3240675
024	183A1-ZE1-821	MUFFLER COMP. (SILENT)	(1)	
025	90056-ZL0-000	SCREW, TAPPING, 4X6	(1)	



Ref	Partnumber	Description	GX160K1	Serial Numbers
010	16854-ZH8-000	RUBBER, SUPPORTER (107MM)	(1)	
017	16955-ZE1-000	JOINT, FUEL TANK	(1)	
018	17500-ZE1-813ZA	TANK ASSY., FUEL (GAUGE) *NH31 *	(1)	
019	17505-ZE1-013	GAUGE ASSY., FUEL	(1)	
020	17510-ZE1-020ZA	TANK COMP., FUEL *NH31 *	(1)	
021	17620-ZH7-013	CAP COMP., FUEL FILLER	1	3063878 4705772
021	17620-ZH7-023	CAP COMP., FUEL FILLER (BLACK)	1	4705773 8542059
022	17620-890-010	CAP COMP., FUEL FILLER	(1)	
022	17620-ZE2-W00	CAP COMP., FUEL FILLER (CHROME PLATED)	(1)	3063877
023	17631-329-003	PACKING, FUEL FILLER CAP (39X58X3)	(1)	3063877
023	17631-ZH7-003	PACKING, FUEL FILLER CAP (39X58X3)	1	8542059
024	17672-ZE2-W00	FILTER, FUEL	(1)	2468779
024	17672-ZE2-W01	FILTER, FUEL	1	
Ref	Partnumber	Description	GX160K1	Serial Numbers
025	17672-880-000	FILTER, FUEL	1	5060214
026	17673-893-000	HOLDER, FUEL FILTER	1	2468780 2827376
029	91353-671-004	O-RING, 14MM (NOK)	(1)	
032	93600-050100A	SCREW, FLAT, 5X10	(2)	
033	94050-06000	NUT, FLANGE, 6MM	(2)	
036	95001-4514040	TUBE, FUEL, 4.5X140 (95001-45001-60M)	(1)	
040	95002-02080	CLIP, TUBE (B8)	(2)	
043	95900-0602500	BOLT, FLANGE, 6X25	(1)	
046	17620-Z0T-814	CAP COMP., FUEL FILLER (CHROME PLATED) ((1)	8542060
047	17631-Z0T-812	PACKING, FUEL FILLER CAP (39X62X3) (TOUY	(1)	8542060

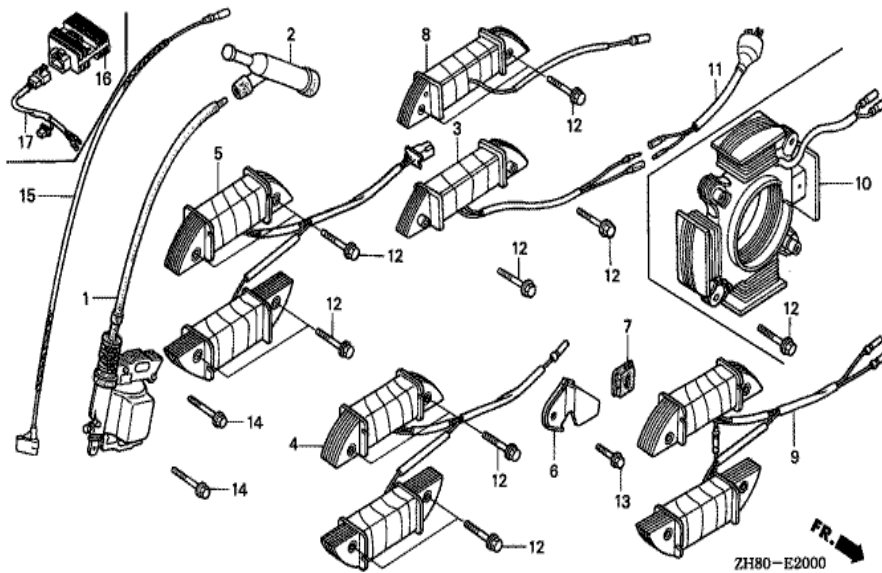


Ref	Partnumber	Description	GX160K1	Serial Numbers
002	16854-ZH8-000	RUBBER, SUPPORTER (107MM)	(1)	
008	16955-ZE1-000	JOINT, FUEL TANK	(1)	
012	17500-ZE1-813ZA	TANK ASSY., FUEL (GAUGE) *NH31 *	(1)	
013	17505-ZE1-013	GAUGE ASSY., FUEL	(1)	
015	17510-ZE1-020ZA	TANK COMP., FUEL *NH31 *	(1)	
016	17620-ZE2-W00	CAP COMP., FUEL FILLER (CHROME PLATED)	1	3063877
017	17620-ZH7-013	CAP COMP., FUEL FILLER	1	3063878 4705772
017	17620-ZH7-023	CAP COMP., FUEL FILLER (BLACK)	1	4705773 8542059
019	17631-ZH7-003	PACKING, FUEL FILLER CAP (39X58X3)	1	3063878 8542059
020	17631-329-003	PACKING, FUEL FILLER CAP (39X58X3)	1	3063877
023	17672-ZE2-W00	FILTER, FUEL	(1)	2468780
023	17672-ZE2-W01	FILTER, FUEL	1	2827377
024	17672-880-000	FILTER, FUEL	1	2468781 2827376
Ref	Partnumber	Description	GX160K1	Serial Numbers
025	17673-893-000	HOLDER, FUEL FILTER	1	2468781 2827376
031	91353-671-004	O-RING, 14MM (NOK)	(1)	
033	93600-050100A	SCREW, FLAT, 5X10	(2)	
034	94050-06000	NUT, FLANGE, 6MM	(2)	
037	95001-4514040	TUBE, FUEL, 4.5X140 (95001-45001-60M)	(1)	
039	95002-02080	CLIP, TUBE (B8)	(2)	
040	95900-0602500	BOLT, FLANGE, 6X25	(1)	
055	17620-Z0T-814	CAP COMP., FUEL FILLER (CHROME PLATED) ((1)	8542060
056	17631-Z0T-812	PACKING, FUEL FILLER CAP (39X62X3) (TOUY	(1)	8542060

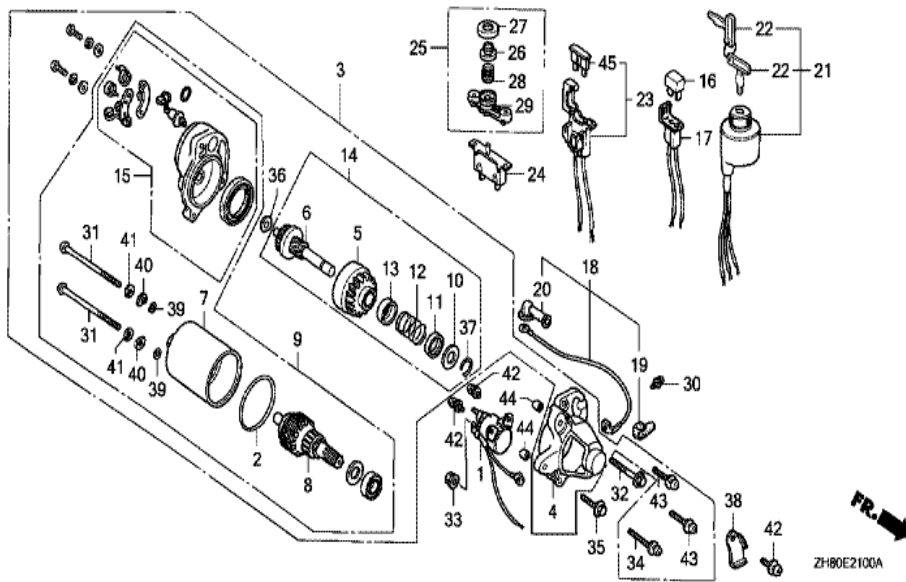


ZH80-E1900

Ref	Partnumber	Description	GX160K1	Serial Numbers
001	19511-ZE1-000	FAN, COOLING	1	
002	28450-ZH8-811	PULLEY COMP., STARTER	(1)	
005	28451-ZH8-003	PULLEY, STARTER	(1)	
006	31100-ZE1-010	FLYWHEEL COMP.	(1)	
007	31100-ZE1-811	FLYWHEEL COMP. (LAMP)	(1)	
008	31100-ZE1-821	FLYWHEEL COMP. (STARTER MOTOR)	(1)	
009	31100-ZH8-W03	FLYWHEEL COMP. (4POLE-3MAGNET)	(1)	
010	90201-878-003	NUT, SPECIAL, 14MM	1	
011	13331-357-000	KEY, SPECIAL WOODRUFF, 25X18	1	

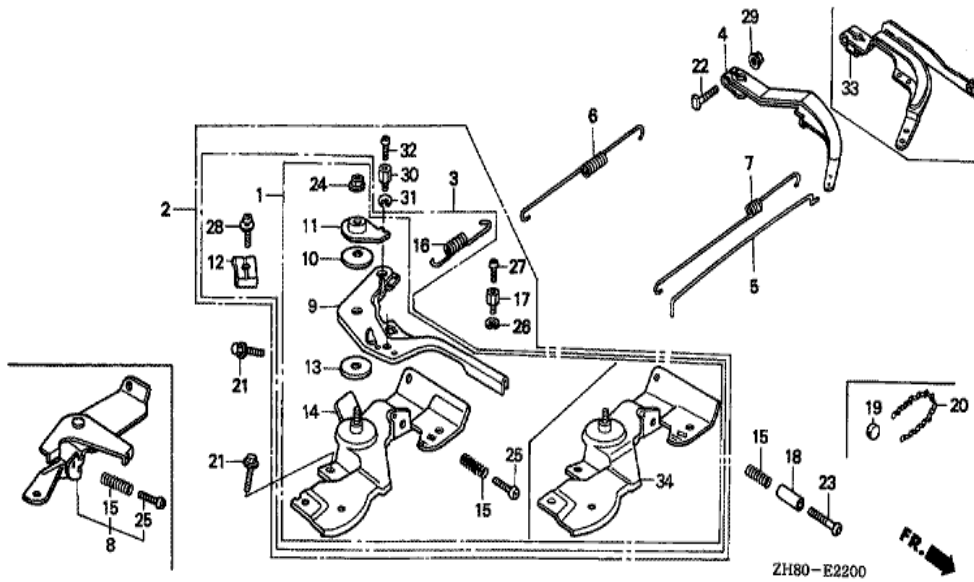


<u>Ref</u>	<u>Partnumber</u>	<u>Description</u>	<u>GX160K1</u>	<u>Serial Numbers</u>
001	30500-ZE1-033	COIL ASSY., IGNITION	1	8074561
001	30500-ZE1-043	COIL ASSY., IGNITION	1	8074562
002	30600-ZE1-013	TERMINAL ASSY., HIGH TENSION (NICHIWA Y-	1	6276049
002	30700-ZE1-013	CAP ASSY., NOISE SUPPRESSOR (NICHIWA Y-E	1	6276050
003	31510-ZE1-003	COIL ASSY., LAMP (12V/15W)	(1)	
003	31510-ZE1-811	COIL ASSY., LAMP (12V/25W)	(1)	
003	31510-ZE1-821	COIL ASSY., LAMP (6V/15W)	(1)	
003	31510-ZE1-831	COIL ASSY., LAMP (6V/25W)	(1)	
004	31510-ZE1-711	COIL ASSY., LAMP (12V/50W)	(1)	
005	31510-ZE1-721	COIL ASSY., LAMP & CHARGE	(1)	
006	31511-ZE1-000	CLAMPER, CORD	(1)	
007	31512-ZE1-000	GROMMET, CORD	(1)	
008	31630-ZE1-003	COIL ASSY., CHARGE (1A)	(1)	
<u>Ref</u>	<u>Partnumber</u>	<u>Description</u>	<u>GX160K1</u>	<u>Serial Numbers</u>
009	31630-ZF1-801	COIL ASSY., CHARGE (2.8A)	(1)	
010	31630-ZH8-W01	COIL ASSY., CHARGE (12V-7A)	(1)	
011	32105-ZE1-000	CABLE, DOUBLE CONNECTOR	(1)	
012	90015-883-000	BOLT, FLANGE, 6X28 (CT200)	(4)	
012	90018-ZE1-000	BOLT, FLANGE, 6X23 (CT200)	(2)	
013	90019-883-000	BOLT, FLANGE, 5X10	(1)	
014	90121-952-000	BOLT, FLANGE, 6X25 (CT200)	2	



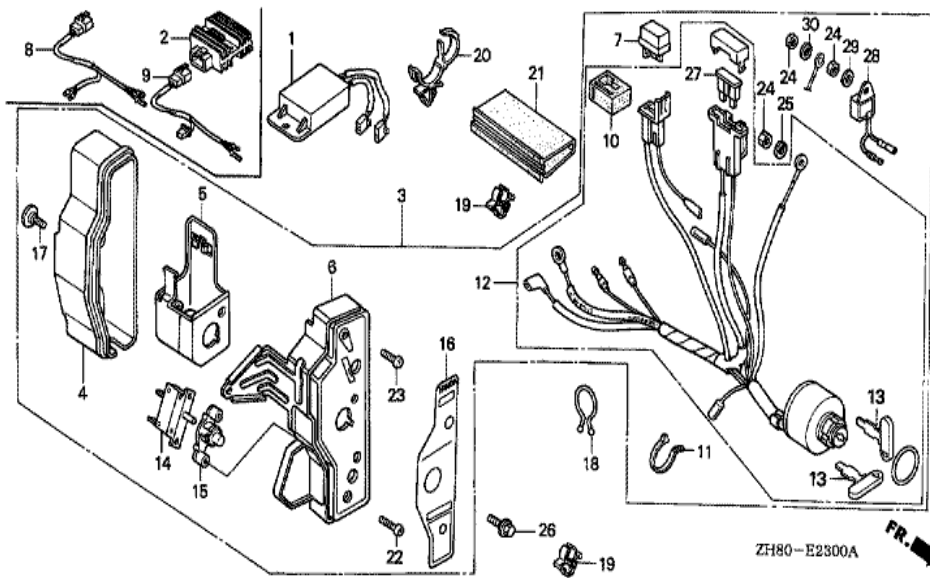
Ref	Partnumber	Description	GX160K1	Serial Numbers
001	31204-ZE1-003	SWITCH COMP., STARTING MAGNET	(1)	
001	31204-ZE1-721	SWITCH ASSY., STARTER MAGNETIC	(1)	
002	31206-KN7-670	O-RING	(1)	
003	31210-ZE1-023	MOTOR UNIT, STARTER (SM-11203) (162MM)	(1)	
003	31210-ZE1-723	MOTOR UNIT, STARTER (SM-11205) (181MM)	1	2653061
004	31212-ZE1-003	COVER COMP., GEAR	(1)	
005	31214-ZE1-003	PINION ASSY.	(1)	
006	31215-ZE1-003	SHAFT UNIT, GEAR	(1)	
007	31216-ZE1-003	YOKE ASSY.	(1)	
007	31216-ZE1-731	YOKE ASSY.	1	2833681
008	31217-ZE1-013	ROTOR ASSY.	(1)	
008	31217-ZE1-722	ROTOR ASSY.	1	2833681
009	31220-ZE1-013	MOTOR ONLY	(1)	

<u>Ref</u>	<u>Partnumber</u>	<u>Description</u>	<u>GX160K1</u>	<u>Serial Numbers</u>
009	31220-ZE1-722	MOTOR ONLY	1	2653061
010	31221-ZE1-003	PIECE A, STOPPER	(1)	
011	31222-ZE1-003	PIECE B, STOPPER	(1)	
012	31223-ZE1-003	SPRING, RETURN	(1)	
013	31224-ZE1-003	COVER, SPRING	(1)	
014	31230-ZE1-003	GEAR ASSY.	(1)	
015	31235-ZE1-013	BRACKET COMP., FR.	(1)	
016	31700-124-008	RECTIFIER ASSY., SILICON (SHINDENGEN)	(1)	
017	32130-ZE1-000	COUPLER COMP.	1	4023626
018	32410-ZE1-000	CORD, MAGNET SWITCH	(1)	
019	32411-ZE1-000	COVER, MAGNETIC SWITCH	(1)	
020	32411-253-000	COVER, STARTER MOTOR TERMINAL	(1)	
021	35100-ZE1-013	SWITCH ASSY., COMBINATION	1	4023626
022	35111-880-003	KEY COMP.	2	4023626
023	38220-ZE1-000	CASE COMP., FUSE	1	4023626
024	38240-VA3-900	PROTECTOR, CIRCUIT (1.0A)	(1)	
024	38240-ZE1-000	PROTECTOR, CIRCUIT (1.25A)	(1)	
025	38250-898-000	LENS ASSY., PROTECTOR	1	4023626
026	38251-898-000	LENS	1	4023626
027	38252-898-000	CAP, LENS	1	4023626
028	38253-898-000	SPRING, COIL	1	4023626
029	38254-898-000	HOLDER, LENS	(1)	
030	90010-ZE1-003	SCREW-WASHER, 5X8	(1)	
031	90012-ZE1-003	BOLT, SETTING	(2)	
031	90012-ZE1-721	BOLT, SETTING	2	2653061
032	90017-883-000	BOLT, FLANGE, 6X32 (CT200)	(1)	
033	90071-MB0-000	NUT-WASHER, 6MM	(2)	
034	90115-GB4-700	SCREW-WASHER, 5X30	(1)	
035	90121-952-000	BOLT, FLANGE, 6X25 (CT200)	(1)	
036	90502-187-701	WASHER, PINION	(1)	
037	90603-ZE1-003	CIRCLIP, 10.2MM	(1)	
038	90631-ZE1-003	HOLDER, HARNESS	(1)	
038	90631-ZE1-720	HOLDER, HARNESS	1	2833681
<u>Ref</u>	<u>Partnumber</u>	<u>Description</u>	<u>GX160K1</u>	<u>Serial Numbers</u>
039	91301-ZE1-003	O-RING	(2)	
040	91402-ZE6-003	WASHER, SPECIAL	(2)	
041	91403-ZE6-003	WASHER, SPRING	(2)	
042	93892-0501408	SCREW-WASHER, 5X14	(3)	
043	93892-0502008	SCREW-WASHER, 5X20	(2)	
044	94301-08100	DOWEL PIN, 8X10	(2)	
045	98200-30500	FUSE, BLADE (5A)	1	4023626

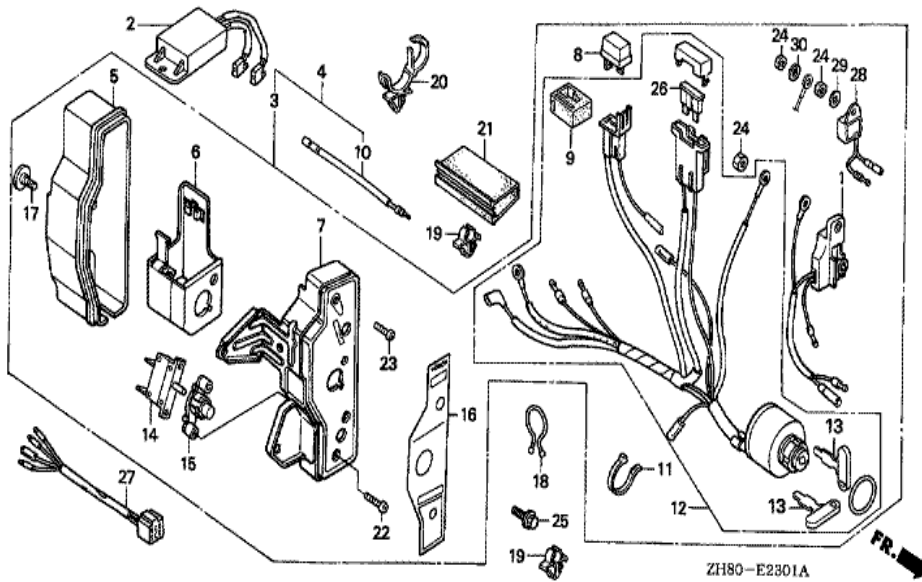


Ref	Partnumber	Description	GX160K1	Serial Numbers
001	16500-ZH8-000	CONTROL ASSY. (STD.)	(1)	3403754
001	16500-ZH8-010	CONTROL ASSY. (STD.)	1	2000098
001	16500-ZH8-020	CONTROL ASSY.	1	5551818 6196199
001	16500-ZH8-030	CONTROL ASSY.	1	6196200
001	16500-ZH8-830	CONTROL ASSY. (LOCK TYPE)	(1)	
001	16500-ZH8-840	CONTROL ASSY.	(1)	
001	16500-ZH8-880	CONTROL ASSY. (CYCLONE-STD.)	(1)	3427858
001	16500-ZH8-881	CONTROL ASSY. (CYCLONE-STD.)	(1)	3427859
002	16500-ZH8-810	CONTROL ASSY. (REMOTE/INTERNAL)	1	3393321
002	16500-ZH8-811	CONTROL ASSY. (REMOTE/INTERNAL)	1	3393322
002	16500-ZH8-812	CONTROL ASSY. (REMOTE/INTERNAL)	1	5444480 6196199
002	16500-ZH8-813	CONTROL ASSY. (REMOTE/INTERNAL)	1	6196200
002	16500-ZH8-850	CONTROL ASSY. (CYCLONE)	(1)	3454679

<u>Ref</u>	<u>Partnumber</u>	<u>Description</u>	<u>GX160K1</u>	<u>Serial Numbers</u>	
002	16500-ZH8-851	CONTROL ASSY. (CYCLONE)	(1)	3454680	
002	16500-ZH8-890	CONTROL ASSY. (REMOTE INTL-S)	1	2828661	3437688
002	16500-ZH8-891	CONTROL ASSY. (REMOTE INTL-S)	1	4764119	5551817
003	16500-ZH8-820	CONTROL ASSY. (REMOTE)	1		3393321
003	16500-ZH8-821	CONTROL ASSY. (REMOTE)	1	3393322	5551817
003	16500-ZH8-873	CONTROL ASSY. (CYCLONE-REMOTE)	(1)		
004	16551-ZE0-010	ARM, GOVERNOR	1		4913229
004	16551-ZE1-010	ARM, GOVERNOR	1		
005	16555-ZE1-000	ROD, GOVERNOR	1		
006	16561-ZE1-020	SPRING, GOVERNOR	1		
007	16562-ZE1-020	SPRING, THROTTLE RETURN	1		
009	16571-ZH8-000	LEVER, CONTROL	1		5551817
009	16571-ZH8-010	LEVER, CONTROL	1	5551818	6331304
009	16571-ZH8-020	LEVER, CONTROL	1	6331305	
009	16571-ZH8-840	LEVER, CONTROL	(1)		
010	16574-ZE1-000	SPRING, LEVER	(1)		
011	16575-ZH8-000	WASHER, CONTROL LEVER	(1)		
012	16576-891-000	HOLDER, CABLE	(1)		
013	16578-ZE1-000	SPACER, CONTROL LEVER	(1)		
014	16580-ZH8-000	BASE COMP., CONTROL	(1)		3403754
014	16580-ZH8-810	BASE COMP., CONTROL (REMOTE)	(1)		3393321
014	16580-ZH8-850	BASE COMP., CONTROL (CYCLONE)	(1)		3435940
015	16584-883-300	SPRING, CONTROL ADJUSTING	(1)		
016	16592-ZE1-810	SPRING, CABLE RETURN	(1)		
017	16594-883-010	HOLDER, WIRE	(1)		
019	16727-705-000	END, LOCK	(1)		
020	16729-705-010	WIRE, LOCK	(1)		
021	90013-883-000	BOLT, FLANGE, 6X12 (CT200)	2		
022	90015-ZE5-010	BOLT, GOVERNOR ARM	1		
024	90114-SAO-000	NUT, SELF-LOCK, 6MM	(1)		
025	90121-ZE0-000	SCREW, LOCK PAN	(1)	2933996	
025	90121-ZE1-000	SCREW, LOCK PAN	(1)		2933995
025	93500-050250A	SCREW, PAN, 5X25	(1)		
<u>Ref</u>	<u>Partnumber</u>	<u>Description</u>	<u>GX160K1</u>	<u>Serial Numbers</u>	
025	93500-050250H	SCREW, PAN, 5X25	(1)		
026	90605-230-000	CIRCLIP, 5MM	(1)		
027	93500-040060H	SCREW, PAN, 4X6	(1)		
028	93500-050160A	SCREW, PAN, 5X16	1	2740508	
028	93893-0501600	SCREW-WASHER, 5X16	1		2740507
029	94050-06000	NUT, FLANGE, 6MM	1		
034	16580-ZH8-010	BASE COMP., CONTROL	1	3403755	5551817
034	16580-ZH8-020	BASE COMP., CONTROL	1	5551818	6331304
034	16580-ZH8-030	BASE COMP., CONTROL	1	6196200	
034	16580-ZH8-811	BASE COMP., CONTROL (REMOTE)	1	3393322	5551817
034	16580-ZH8-812	BASE COMP., CONTROL (REMOTE)	1	5551818	6331304
034	16580-ZH8-813	BASE COMP., CONTROL (REMOTE)	1	6331305	
034	16580-ZH8-851	BASE COMP., CONTROL (CYCLONE)	1	3435941	5551817

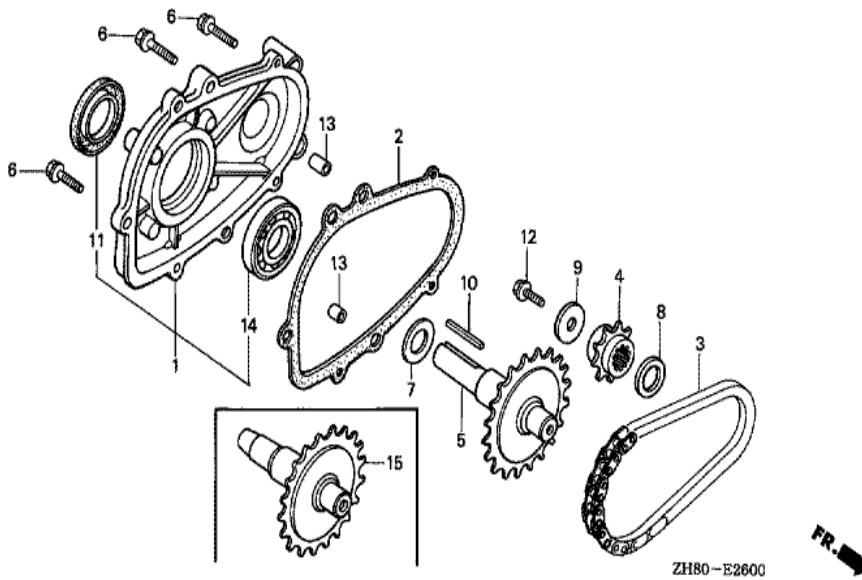


<u>Ref</u>	<u>Partnumber</u>	<u>Description</u>	<u>GX160K1</u>	<u>Serial Numbers</u>
001	31600-KE1-010	RECTIFIER COMP., REGULATOR	(1)	
003	31610-ZE1-013ZB	BOX ASSY., CONTROL (INTERNAL) *R8 *	(1)	
003	31610-ZE1-013ZD	BOX ASSY., CONTROL (INTERNAL) *R280 *	(1)	8364202
003	31610-ZE1-812ZB	BOX ASSY., CONTROL (EXTERNAL) *R8 *	1	8364201
004	31612-ZE2-003	CASE, CONTROL	(1)	
005	31614-ZE2-003	BRACKET, CASE MOUNTING	(1)	
006	31615-ZE1-003ZB	PANEL COMP., CONTROL *R8 *	(1)	
007	31700-124-008	RECTIFIER ASSY., SILICON (SHINDENGEN)	(1)	
010	32127-738-700	SUSPENSION, COUPLER	(1)	
011	32902-892-003	BAND	(1)	
012	35100-ZE1-812	SWITCH ASSY., COMBINATION	(1)	
013	35111-880-003	KEY COMP.	(2)	
014	38240-VA3-900	PROTECTOR, CIRCUIT (1.0A)	(1)	
<u>Ref</u>	<u>Partnumber</u>	<u>Description</u>	<u>GX160K1</u>	<u>Serial Numbers</u>
015	38250-ZA8-701	LENS ASSY., PROTECTOR	(1)	
016	87529-ZE2-010	PANEL, CONTROL BOX (INTERNAL)	(1)	8691291
016	87529-ZE2-020	PANEL, CONTROL BOX (INTERNAL)	(1)	8691292
016	87529-ZE2-811	MARK, CONTROL BOX (EXTERNAL)	(1)	
017	90380-MA6-010	SCREW, SPECIAL, 6X12	(1)	
018	90630-751-000	CLIP, PURSE LOCK	(1)	
019	90682-ZE1-000	CLIP, CORD	(2)	
020	90690-SA0-003	STRAP, WIRE HARNESS, 25MM (BLACK)	(1)	
021	91406-ZE2-003	TUBE, FASTENER, 30MM	(1)	
022	93500-030120H	SCREW, PAN, 3X12	(2)	
023	93500-040120H	SCREW, PAN, 4X12	(1)	
024	94001-043900S	NUT, HEX., 4MM	1	5380585
026	90015-883-000	BOLT, FLANGE, 6X28 (CT200)	(2)	
026	95701-0601000	BOLT, FLANGE, 6X10	(1)	
027	98200-30500	FUSE, BLADE (5A)	(1)	



Ref	Partnumber	Description	GX160K1	Serial Numbers
001	15520-ZE1-822	ALERT UNIT, OIL	(1)	2468252
002	31600-KE1-010	RECTIFIER COMP., REGULATOR	(1)	
003	31610-ZE1-823ZB	BOX ASSY., CONTROL (INTERNAL/ALERT) *R8	(1)	2468252
003	31610-ZE1-824ZB	BOX ASSY., CONTROL (INTERNAL/ALERT) *R8	(1)	2468253
003	31610-ZE1-833ZB	BOX ASSY., CONTROL (EXP-ALERT) * R8 *	(1)	2468252
004	31610-ZE1-834ZB	BOX ASSY., CONTROL (EXP-ALERT) * R8 *	1	2468253 5372718
005	31612-ZE2-003	CASE, CONTROL	(1)	
006	31614-ZE2-003	BRACKET, CASE MOUNTING	(1)	
007	31615-ZE1-003ZB	PANEL COMP., CONTROL *R8 *	1	8394660
007	31615-ZE1-003ZG	PANEL COMP., CONTROL *R280 *	1	8366917
008	31700-124-008	RECTIFIER ASSY., SILICON (SHINDENGEN)	(1)	
009	32127-738-700	SUSPENSION, COUPLER	(1)	
010	32197-ZE1-003	HARNES, SUB WIRE	1	2468253

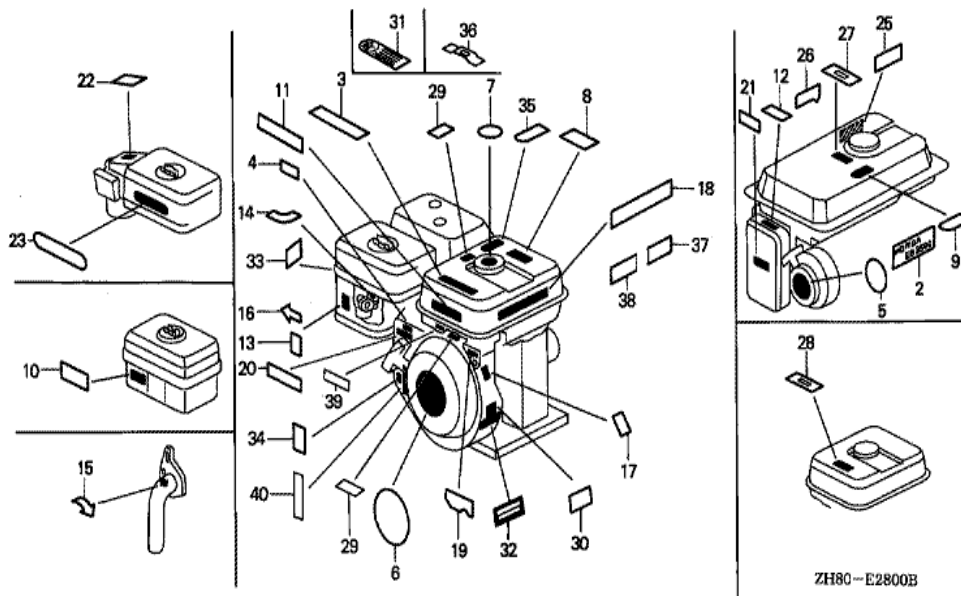
<u>Ref</u>	<u>Partnumber</u>	<u>Description</u>	<u>GX160K1</u>	<u>Serial Numbers</u>
011	32902-892-003	BAND	(1)	
012	35100-ZE1-812	SWITCH ASSY., COMBINATION	(1)	
013	35111-880-003	KEY COMP.	(2)	
014	38240-VA3-900	PROTECTOR, CIRCUIT (1.0A)	(1)	
015	38250-ZA8-701	LENS ASSY., PROTECTOR	(1)	
016	87529-ZE2-010	PANEL, CONTROL BOX (INTERNAL)	(1)	2468253
016	87529-ZE2-811	MARK, CONTROL BOX (EXTERNAL)	1	2468253
016	87529-ZE2-821	PANEL, CONTROL BOX (INTERNAL-ALERT)	(1)	2468252
016	87529-ZE2-831	PANEL, CONTROL BOX (EXTERNAL-ALERT)	(1)	2468252
017	90380-MA6-010	SCREW, SPECIAL, 6X12	(1)	
018	90630-751-000	CLIP, PURSE LOCK	(1)	
019	90682-ZE1-000	CLIP, CORD	(2)	
020	90690-SA0-003	STRAP, WIRE HARNESS, 25MM (BLACK)	(1)	
021	91406-ZE2-003	TUBE, FASTENER, 30MM	(1)	
022	93500-030120H	SCREW, PAN, 3X12	(2)	
023	93500-040120H	SCREW, PAN, 4X12	(1)	
024	94001-043900S	NUT, HEX., 4MM	1	5380585
025	90015-883-000	BOLT, FLANGE, 6X28 (CT200)	(2)	
025	95701-0601000	BOLT, FLANGE, 6X10	(1)	
026	98200-30500	FUSE, BLADE (5A)	(1)	
027	32110-ZH8-W00	HARNESS ASSY., SUB WIRE	(1)	



ZH80-E2600



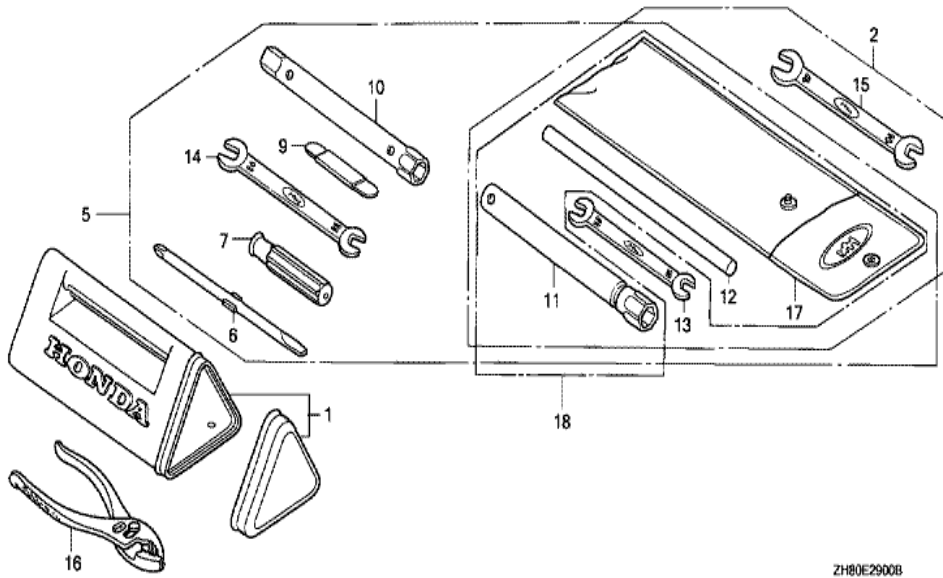
<u>Ref</u>	<u>Partnumber</u>	<u>Description</u>	<u>GX160K1</u>	<u>Serial Numbers</u>
001	11500-ZE1-610	COVER ASSY., CHAIN CASE	1	8574667
001	11500-ZE1-611	COVER ASSY., CHAIN CASE	1	8574668
002	11521-ZE1-610	PACKING, CHAIN CASE	(1)	
002	11521-ZH8-800	PACKING, CHAIN CASE COVER	(1)	
003	14411-ZE1-611	CHAIN, P.T.O. DRIVE (DID317FM2-34LE)	1	
004	23110-ZE1-610	SPROCKET, DRIVE (13T)	1	
005	23710-ZE1-613	SHAFT, P.T.O. (26T)	1	
006	90015-883-000	BOLT, FLANGE, 6X28 (CT200)	5	
007	90456-ZE1-000	SPRING, THRUST	1	
008	90470-ZE1-000	SPACER, 20MM	1	
009	90471-ZE1-610	WASHER, 8MM	1	
010	90741-883-810	KEY, 5X5X33 (YELLOW)	(1)	
011	91201-ZOT-801	OIL SEAL, 25X41X6 (NOK)	1	8574668
<u>Ref</u>	<u>Partnumber</u>	<u>Description</u>	<u>GX160K1</u>	<u>Serial Numbers</u>
011	91202-883-005	OIL SEAL, 25X41X6	1	8574667
012	92000-080250A	BOLT, HEX., 8X25	1	
013	94301-08140	DOWEL PIN, 8X14	2	
014	96100-6205000	BEARING, RADIAL BALL, 6205	1	



ZH80-E2800B

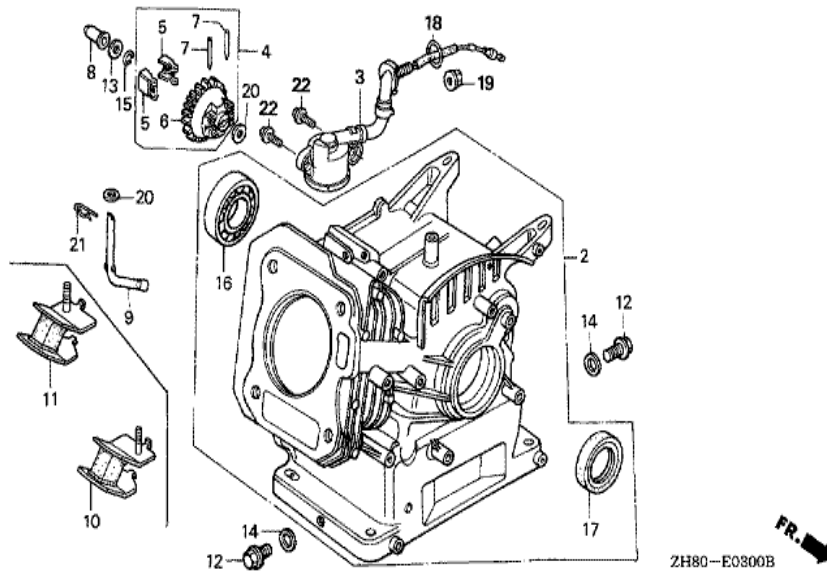
Ref	Partnumber	Description	GX160K1	Serial Numbers
003	87101-733-000	MARK, TOP	(1)	
003	87522-ZH9-010	LABEL, CAUTION (ENGLISH, ETC.)	(1)	
003	87522-ZH9-820	LABEL, CAUTION (THAI)	(1)	
003	87565-ZE2-000	MARK, FUEL INDICATION (JAPANESE)	(1)	
003	87565-ZE2-810	MARK, FUEL INDICATION (ENGLISH)	(1)	
006	87521-ZH8-000	EMBLEM (5.5PS)	(1)	2468252
006	87521-ZH8-010	EMBLEM (5.5)	1	2468253 7438467
006	87521-ZH8-020	EMBLEM (GX160 5.5)	1	7438468 8367036
006	87521-ZH8-030	EMBLEM (GX160 5.5)	1	8367037
006	87521-ZH8-810	EMBLEM (5.5HP)	(1)	2468252
007	87522-ZE1-010	LABEL, FUEL WARNING	1	2710012
007	87522-ZE1-810	MARK, CAUTION	1	3063877
008	87526-ZH8-000	MARK B, COMBINATION (JAPANESE)	1	3668136

<u>Ref</u>	<u>Partnumber</u>	<u>Description</u>	<u>GX160K1</u>	<u>Serial Numbers</u>
010	87524-883-690	MARK, AIR CLEANER CAUTION (OIL BATH) (AR	(1)	
011	87520-ZH8-000	MARK A, COMBINATION (JAPANESE)	1	3668136
011	87525-ZH8-810	EMBLEM, UPPER (EXTERNAL)	(1)	
013	87528-ZE1-000	MARK, CHOKE	(1)	2708634
013	87528-ZE1-690	MARK, CHOKE (THAI)	(1)	
013	87528-ZE1-810	MARK, CHOKE	(1)	
017	87530-ZH8-000	LABEL, SPECIFICATION (INTERNAL)	1	8066647
017	87530-ZH8-010	LABEL, SPECIFICATION (INTERNAL)	(1)	8066648
017	87530-ZH8-810	LABEL, SPECIFICATION (5.5HP)	(1)	
017	87530-ZH8-820	LABEL, SPECIFICATION (5.5PS)	(1)	8072944
017	87530-ZH8-821	LABEL, SPECIFICATION (INTERNAL/L-TYPE)	(1)	8072945
018	87532-ZB4-G60	MARK, OIL ALERT (GERMAN)	1	2739161
018	87532-ZB4-H50	MARK, OIL ALERT (FRENCH)	1	2739161
018	87532-ZH8-000	MARK, OIL ALERT	1	2468253
018	87532-ZH8-810	MARK, OIL ALERT (ENGLISH)	1	2468253
019	87532-ZE1-000	MARK, OIL ALERT (INTERNAL)	(1)	2468252
019	87532-ZE1-810	MARK, OIL ALERT (EXTERNAL)	1	2468253
022	87534-ZE1-841	LABEL, AIR CLEANER CAUTION	(1)	
023	87535-ZE1-840	MARK, AIR CLEANER SALES POINT	(1)	8381117
023	87535-ZE1-841	MARK, AIR CLEANER SALES POINT	(1)	8381118
028	87565-ZE2-810	MARK, FUEL INDICATION (ENGLISH)	1	3418182
033	87534-ZE1-000	LABEL, AIR CLEANER CAUTION	(1)	

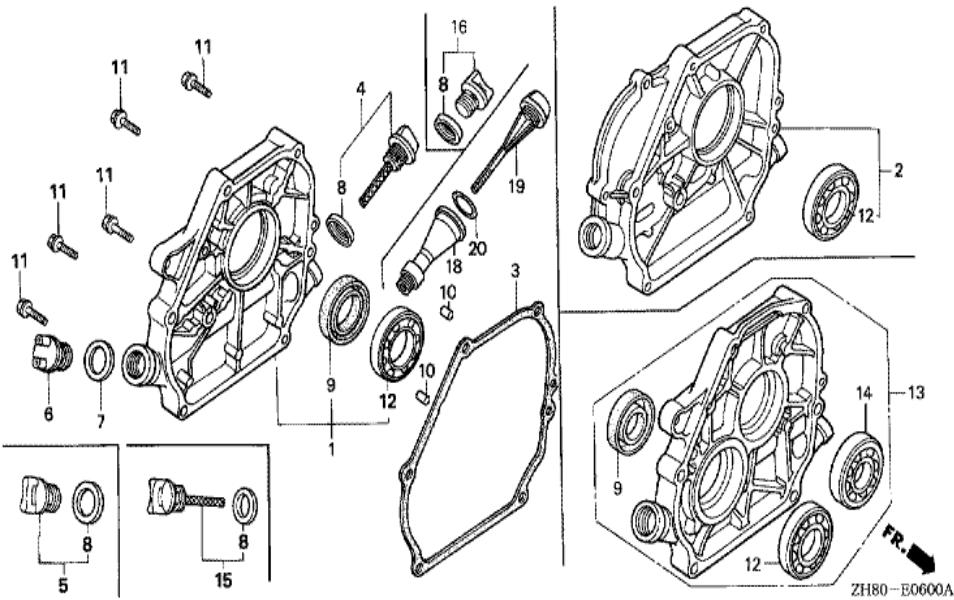


ZH80E2900B

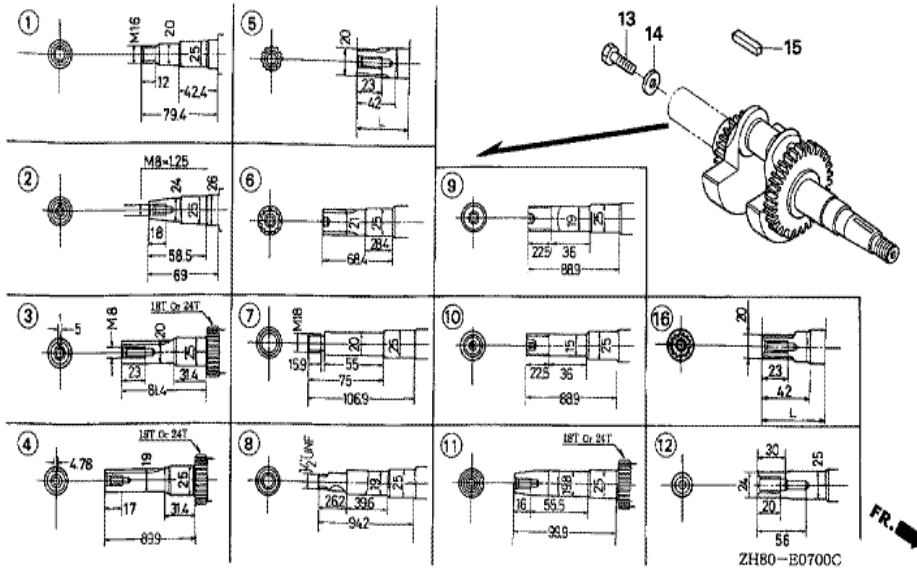
Ref	Partnumber	Description	GX160K1	Serial Numbers
002	89000-ZE1-000	TOOL KIT	(1)	
011	89216-809-000	WRENCH COMP., SPARK PLUG	(1)	
011	89218-ZE1-000	WRENCH COMP., SPARK PLUG	(1)	
012	89219-805-000	HANDLE, BOX WRENCH	(1)	
013	99001-10120	SPANNER, 10X12	(1)	
015	99001-14170	SPANNER, 14X17	(1)	
017	99008-02300	BAG, TOOL, 230MM	(1)	



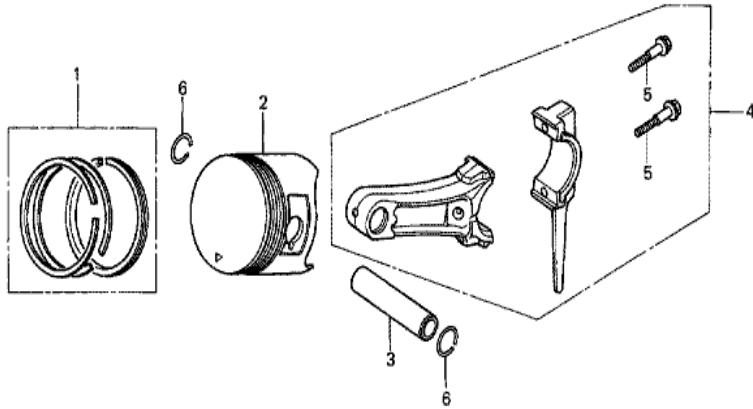
Ref	Partnumber	Description	GX160K1	Serial Numbers
002	12000-ZF1-020	BARREL ASSY., CYLINDER (STD.)	1	4067884
002	12000-ZF1-812	BARREL ASSY., CYLINDER (OIL ALERT)	(1)	4067884
002	12000-ZH8-000	BARREL ASSY., CYLINDER	1	4193707
002	12000-ZH8-415	BARREL ASSY., CYLINDER	1	4193708 8565637
002	12000-ZH8-416	BARREL ASSY., CYLINDER (OIL ALERT)	1	4067885 8565637
002	12000-ZH8-425	BARREL ASSY., CYLINDER	1	8565638
002	12000-ZH8-426	BARREL ASSY., CYLINDER (OIL ALERT)	1	8565638
003	15510-ZE1-033	SWITCH ASSY., OIL LEVEL	(1)	
004	16510-ZE1-000	GOVERNOR ASSY.	1	4913229
005	16511-ZE1-000	WEIGHT, GOVERNOR	2	4913229
006	16512-ZE1-000	HOLDER, GOVERNOR WEIGHT	1	4913229
007	16513-ZE1-000	PIN, GOVERNOR WEIGHT	2	4913229
008	16531-ZE1-000	SLIDER, GOVERNOR	1	
Ref	Partnumber	Description	GX160K1	Serial Numbers
009	16541-ZE1-000	SHAFT, GOVERNOR ARM	1	
012	90131-ZE1-000	BOLT, DRAIN PLUG	2	
013	90451-ZE1-000	WASHER, THRUST, 6MM	1	
014	90601-ZE1-000	WASHER, DRAIN PLUG, 10.2MM	2	
015	90602-ZE1-000	CLIP, GOVERNOR HOLDER	1	
016	91001-ZF1-003	BEARING, RADIAL BALL (6205TMB) (NTN)	1	
016	91001-ZF1-004	BEARING, RADIAL BALL (6205SH) (KOYO)	1	
017	91201-Z0T-801	OIL SEAL, 25X41X6 (NOK)	1	8565638
017	91202-883-005	OIL SEAL, 25X41X6	1	8565637
018	91353-671-004	O-RING, 14MM (NOK)	(1)	
019	94050-10000	NUT, FLANGE, 10MM	(1)	
020	94101-06800	WASHER, PLAIN, 6MM	2	
021	94251-08000	PIN, LOCK, 8MM	1	
022	95701-0601200	BOLT, FLANGE, 6X12	(2)	



<u>Ref</u>	<u>Partnumber</u>	<u>Description</u>	<u>GX160K1</u>	<u>Serial Numbers</u>
002	11300-ZE1-613	COVER ASSY., CRANKCASE	1	
003	11381-ZE1-000	PACKING, CASE COVER	(1)	2598206
003	11381-ZH8-800	PACKING, CASE COVER (NON ASBESTOS)	1	3413169
003	11381-ZH8-801	PACKING, CASE COVER (NON ASBESTOS)	1	3413170
004	15600-ZE1-000	CAP ASSY., OIL FILLER (GRAY)	1	2966709
004	15600-ZE1-003	CAP ASSY., OIL FILLER (GRAY)	1	2966710
005	15600-ZG4-003	CAP ASSY., OIL FILLER	1	2966710
006	15620-ZG4-910	CAP, OIL FILLER	1	2966709
007	15621-896-010	PACKING, OIL FILLER CAP	1	2966709
008	15625-ZE1-000	PACKING, OIL FILLER CAP	1	2966709
008	15625-ZE1-003	PACKING, OIL FILLER CAP	2	2966710
010	94301-08140	DOWEL PIN, 8X14	2	
011	95701-0803200	BOLT, FLANGE, 8X32	6	
<u>Ref</u>	<u>Partnumber</u>	<u>Description</u>	<u>GX160K1</u>	<u>Serial Numbers</u>
012	96100-6205000	BEARING, RADIAL BALL, 6205	1	



Ref	Partnumber	Description	GX160K1	Serial Numbers
005	13310-ZE1-610	CRANKSHAFT COMP. (L=209.5)	1	
013	92000-080250A	BOLT, HEX., 8X25	(1)	
014	90473-842-000	WASHER, 8MM	(1)	

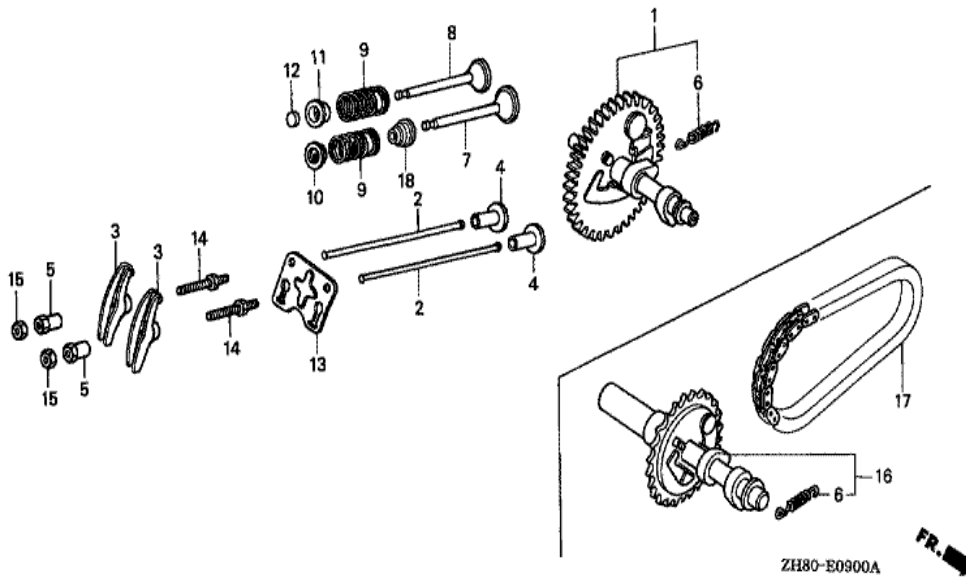


ZH80-E0800

FR.

Ref	Partnumber	Description	GX160K1	Serial Numbers
001	13010-ZF1-023	RING SET, PISTON (STD.) (TEIKOKU)	1	5495899
001	13010-ZF1-024	RING SET, PISTON (STD.) (NIPPON)	1	5495899
001	13010-ZH8-941	RING SET, PISTON (STD.) (TEIKOKU)	1	5495900 7603338
001	13010-ZH8-942	RING SET, PISTON (STD.) (NIPPON)	1	5495900 7603338
001	13010-ZL0-003	RING SET, PISTON (STD.) (TEIKOKU)	1	7603339
001	13010-ZL0-004	RING SET, PISTON (STD.) (NIPPON)	1	7603339
001	13011-ZF1-023	RING SET, PISTON (0.25) (TEIKOKU)	(1)	5495899
001	13011-ZF1-024	RING SET, PISTON (0.25) (NIPPON)	(1)	5495899
001	13011-ZH8-941	RING SET, PISTON (0.25) (TEIKOKU)	(1)	5495900 7603338
001	13011-ZH8-942	RING SET, PISTON (0.25) (NIPPON)	(1)	5495900 7603338
001	13011-ZL0-003	RING SET, PISTON (0.25) (TEIKOKU)	(1)	7603339
001	13011-ZL0-004	RING SET, PISTON (0.25) (NIPPON)	(1)	7603339
001	13012-ZF1-023	RING SET, PISTON (0.50) (TEIKOKU)	(1)	5495899

<u>Ref</u>	<u>Partnumber</u>	<u>Description</u>	<u>GX160K1</u>	<u>Serial Numbers</u>
001	13012-ZF1-024	RING SET, PISTON (0.50) (NIPPON)	(1)	5495899
001	13012-ZH8-941	RING SET, PISTON (0.50) (TEIKOKU)	(1)	5495900 7603338
001	13012-ZH8-942	RING SET, PISTON (0.50) (NIPPON)	(1)	5495900 7603338
001	13012-ZL0-003	RING SET, PISTON (0.50) (TEIKOKU)	(1)	7603339
001	13012-ZL0-004	RING SET, PISTON (0.50) (NIPPON)	(1)	7603339
001	13013-ZF1-023	RING SET, PISTON (0.75) (TEIKOKU)	(1)	5495899
001	13013-ZF1-024	RING SET, PISTON (0.75) (NIPPON)	(1)	5495899
001	13013-ZH8-941	RING SET, PISTON (0.75) (TEIKOKU)	(1)	5495900 7603338
001	13013-ZH8-942	RING SET, PISTON (0.75) (NIPPON)	(1)	5495900 7603338
001	13013-ZL0-003	RING SET, PISTON (0.75) (TEIKOKU)	(1)	7603339
001	13013-ZL0-004	RING SET, PISTON (0.75) (NIPPON)	(1)	7603339
002	13101-ZH8-000	PISTON (STD.)	1	7603338
002	13101-ZH8-010	PISTON (STD.)	1	7603339
002	13102-ZH8-000	PISTON (0.25)	(1)	7603338
002	13102-ZH8-010	PISTON (0.25)	(1)	7603339
002	13103-ZH8-000	PISTON (0.50)	(1)	7603338
002	13103-ZH8-010	PISTON (0.50)	(1)	7603339
002	13104-ZH8-000	PISTON (0.75)	(1)	7603338
002	13104-ZH8-010	PISTON (0.75)	(1)	7603339
003	13111-ZE1-000	PIN, PISTON	1	
004	13200-ZE1-010	ROD ASSY., CONNECTING (STD.)	1	
004	132A0-ZE1-000	ROD ASSY., CONNECTING (0.25 UNDER SIZE)	(1)	
005	90001-ZE1-000	BOLT, CONNECTING ROD	2	
006	90551-ZE1-000	CLIP, PISTON PIN, 18MM	2	



<u>Ref</u>	<u>Partnumber</u>	<u>Description</u>	<u>GX160K1</u>	<u>Serial Numbers</u>
001	14100-ZE1-812	CAMSHAFT ASSY.	1	4913229
002	14410-ZE1-010	ROD, PUSH	2	
003	14431-ZE1-000	ARM, VALVE ROCKER	2	
004	14441-ZE1-010	LIFTER, VALVE	2	
005	14451-ZE1-013	PIVOT, ROCKER ARM	2	
006	14568-ZE1-000	SPRING, WEIGHT RETURN	1	
007	14711-ZF1-000	VALVE, IN.	1	
008	14721-ZF1-000	VALVE, EX.	1	
008	14721-ZH8-810	VALVE, EX. (STELLITE)	1	
009	14751-ZF1-000	SPRING, VALVE	2	
010	14771-ZE1-000	RETAINER, IN. VALVE SPRING	1	
011	14773-ZE1-000	RETAINER, EX. VALVE SPRING	1	
012	14781-ZE1-000	ROTATOR, VALVE	1	
<u>Ref</u>	<u>Partnumber</u>	<u>Description</u>	<u>GX160K1</u>	<u>Serial Numbers</u>
013	14791-ZE1-010	PLATE, PUSH ROD GUIDE	1	
014	90012-ZE0-010	BOLT, PIVOT, 8MM	2	
015	90206-ZE1-000	NUT, PIVOT ADJUSTING	2	
018	12209-ZH8-003	SEAL, VALVE STEM	1	7664037



HENG-X0003

<u>Ref</u>	<u>Partnumber</u>	<u>Description</u>	<u>GX160K1</u>	<u>Serial Numbers</u>
001	061A1-ZH8-020	GASKET KIT	1	3413169
001	061A1-ZH8-040	GASKET KIT	1	3427859