



BOSCH

Angle Grinder

GWX 9-125 | 3 601 GB2 080

Table of Content

Spare parts list.....	2
Illustration - Type.....	4

Spare parts list

Item	Part Number	Description
1	1 619 P10 959	Motor Housing
2	1 604 220 59G	Field
3	1 619 P14 766	Armature 220-240V
4	1 607 200 31Y	Switch
5	1 604 460 263	Power supply cord H05 W-F CN 2,65m 2 x 0,75mm
6	2 600 703 012	Grommet Ø6,5-Ø6,9x95 MM
7	1 601 302 017	Fastening Clamp
8	1 619 P15 986	Nameplate
9	1 619 P11 195	Manufacturer's nameplate
12	1 619 P15 039	Suppression Filter
13	1 619 P08 829	groove ball bearing
14	1 619 P13 103	groove ball bearing
16	1 619 P01 811	Brush Holder
17	1 604 652 013	Spiral Spring
18	1 619 P11 487	Compression Spring
22	1 619 P10 968	Adjusting Slide
23	1 619 P10 969	Switch Button
25	1 619 P13 558	Housing Cover
26	1 600 502 023	Intermediate Ring
27	1 600 206 025	Rubber Ring
29	1 619 P10 970	Air-Deflector Ring
30	1 619 P14 769	Air Distributor
33	1 600 210 035	O-Ring 46,0x1,1 MM
35	1 600 136 013	Shim 0,1 MM THICK
35	1 600 136 014	Shim 0,2 MM THICK
35	1 600 136 015	Shim 0,3 MM THICK
36	1 619 P00 987	Washer
37	1 600 290 016	Rotary shaft lip seal
40	1 600 119 011	Retaining clip
41	1 600 A01 2V6	Plain bearing
45	2 915 011 007	Hex Nut DIN 934-M6-8-A
47	2 609 110 052	Special Screw
48	1 619 P00 220	Torx Oval-Head Screw 3x10
49	1 603 435 08X	Thread-forming tap. Screw M4x16-St w/ Precote 85-3

Spare parts list

Item	Part Number	Description
50	1 619 P00 105	Torx Oval-Head Screw 4x20
54	2 603 490 025	Torx Oval-Head Screw 4x30
55	1 619 P01 066	Torx Oval-Head Screw 4x25
56	1 600 A01 2X9	Braking Element
101	1 600 A01 2V1	Lever
102	1 600 A01 2V3	Torsion Spring
103	1 600 A01 2V4	Straight Pin
108	1 619 P02 866	Shrinkable Tube
131	3 600 210 109	O-Ring 47,0x1,5 MM
810	1 619 P11 715	Carbon-Brush Set
828	1 619 P15 214	Parts Set
831	1 619 P15 213	Gear Housing
838	1 619 P15 458	Set Of Gears
843	1 607 000 742	Catch Lever
858	2 910 641 081	Oval-Head Screw DIN7985-M3,5x5-4.8-H
650/1	1 619 P10 681	Auxiliary Handle
651	1 600 A00 XK8	Protective Cover 115 MM
891	1 602 025 0A0	Auxiliary Handle
894	1 615 430 020	Grease Tube 225 ML
895	1 605 430 003	Grease Tube 225 ML

Illustration - Type - E

3 601 GC9 000
 Stand } 19-08-05 Fig. /Abb. 1
 Issue }

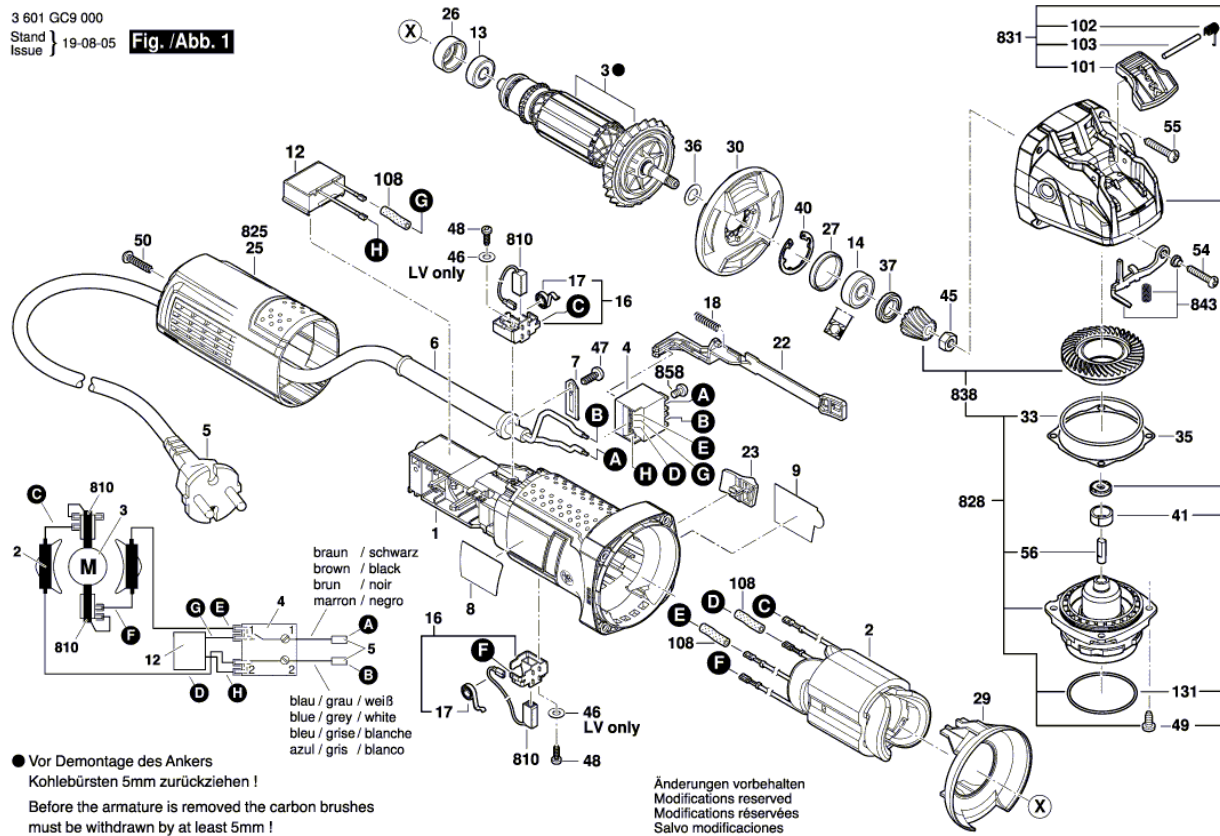
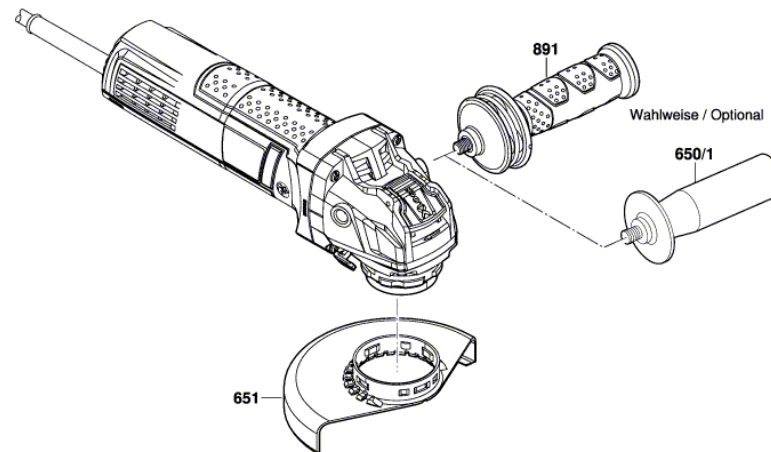


Illustration - Type - E

3 601 GC9 000
Stand } 19-08-05 **Fig. /Abb. 2**
Issue }



Änderungen vorbehalten
Modifications reserved
Modifications réservées
Salvo modificaciones

