



**BOSCH**

# Cordless Angle Grinder

GWX18V-10P | 3 601 JJ4 212

---

## Table of Content

Spare parts list.....	2
Illustration - Type.....	4

# Cordless Angle Grinder | GWX18V-10P | 3 601 JJ4 212

## Spare parts list

Item	Part Number	Description	Illustration	
1	1 619 P16 703	Motor Housing	1	
4	2 607 202 328	Switch	1	
5	1 619 P16 641	Fan	1	
6	1 619 P16 509	Air-Deflector Ring	1	
7	1 619 P16 508	Air Distributor	1	
8	1 619 P17 523	Nameplate	1	
9	1 619 P17 734	Manufacturer's nameplate	GWX18V-10P	1
12	1 600 A00 RK2	Ferrite	1	
14	1 619 P09 955	groove ball bearing	1	
17	1 600 100 P12	Cover	1	
18	1 600 A00 R9F	Switch-Pawl	1	
27	1 600 206 025	Rubber Ring	1	
28	3 600 210 109	O-Ring 47,0x1,5 MM	1	
33	1 619 P14 427	O-Ring	1	
35	1 600 136 013	Shim 0,1 MM THICK	1	
35	1 600 136 014	Shim 0,2 MM THICK	1	
35	1 600 136 015	Shim 0,3 MM THICK	1	
36	1 610 100 023	Washer	1	
37	1 600 A00 P17	Holder	1	
40	1 600 119 011	Retaining clip	1	
41	1 600 A01 2V6	Plain bearing	1	
42	1 600 A01 2V7	Retaining Washer	1	
43	1 600 A01 MB5	profile gasket	1	
44	1 604 611 042	Compression Spring	1	
45	1 619 P17 544	Hex Nut	1	
46	1 609 280 477	Compression Spring	1	
49	1 603 435 08X	Thread-forming tap. Screw M4x16-St w/ Precote 85-3	1	
50	2 609 110 201	Torx Flat-Head Screw 3x16	1	
53	1 619 P01 066	Torx Oval-Head Screw 4x25	1	
54	2 603 490 025	Torx Oval-Head Screw 4x30	1	
56	1 600 A01 2X9	Braking Element	1	
60	1 600 A00 R9L	Reverse-Transfer Lever	1	
97	1 619 P17 337	Warning Plate	1	
98	1 619 P15 487	Warning Plate	1	

**Spare parts list**

<b>Item</b>	<b>Part Number</b>	<b>Description</b>		<b>Illustration</b>
101	1 600 A01 6PJ	Lever		1
102	1 600 A01 2V3	Torsion Spring		1
103	1 600 A01 2V4	Straight Pin		1
802	1 607 000 CA4	Motor		1
803	1 607 000 CA5	Bevel Gear Shaft		1
821	1 619 P16 949	Gear Housing		1
828	1 619 P17 887	Bearing Flange		1
843	1 607 000 742	Catch Lever		1
851	1 607 000 DS8	Electronics Module		1
884	1 607 000 CA9	Filter Unit		1
651	1 600 A00 XL5	Protective Cover		2
655	1 602 025 0A0	Auxiliary Handle		2
657	1 607 A35 0CH	Battery Pack SCM	GBA18V80 8.0Ah ProCore	2
658	2 607 225 927	Charger	USA BC 1880 CV 13,3-18V/120V	2
894	1 615 430 020	Grease Tube	225 ML	2
895	1 605 430 003	Grease Tube	225 ML	2

Illustration - Type - E

3 601 JJ4 212  
 Stand 23-03-28  
 Issue } **Fig. /Abb. 1**

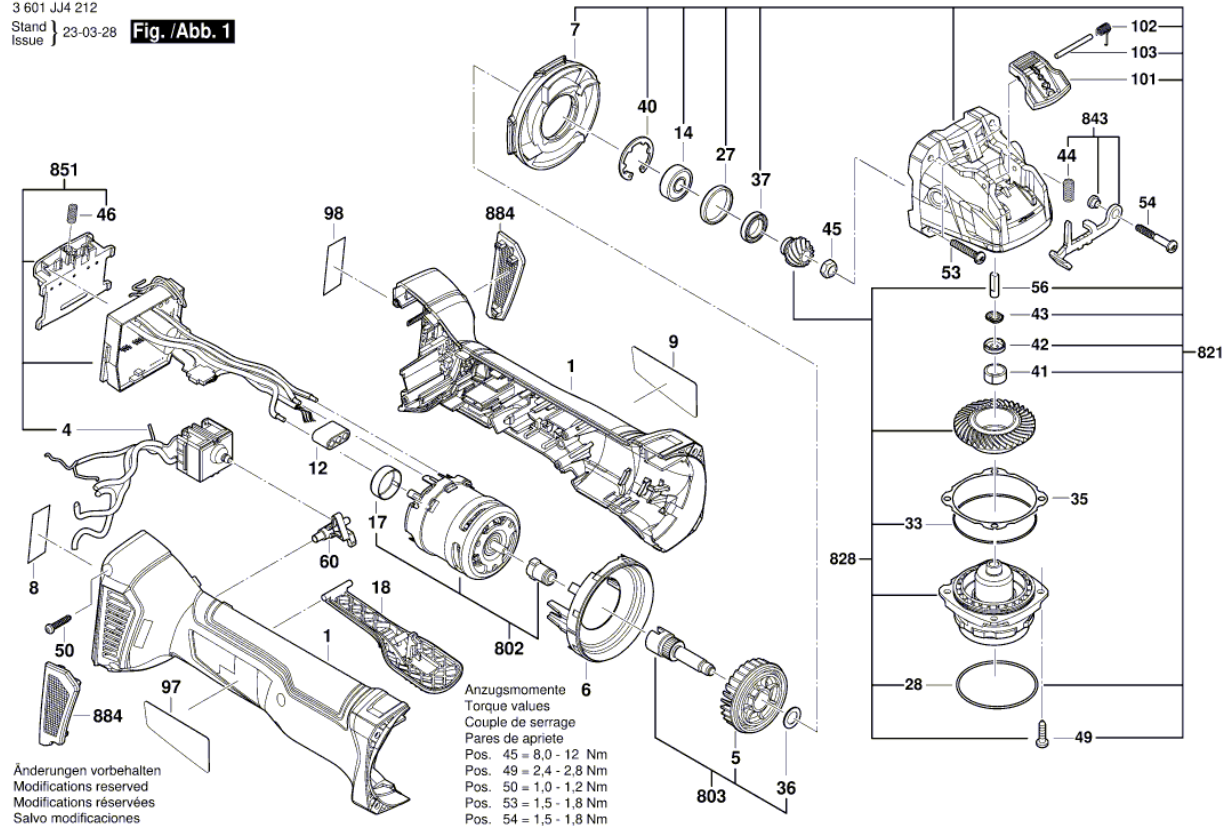
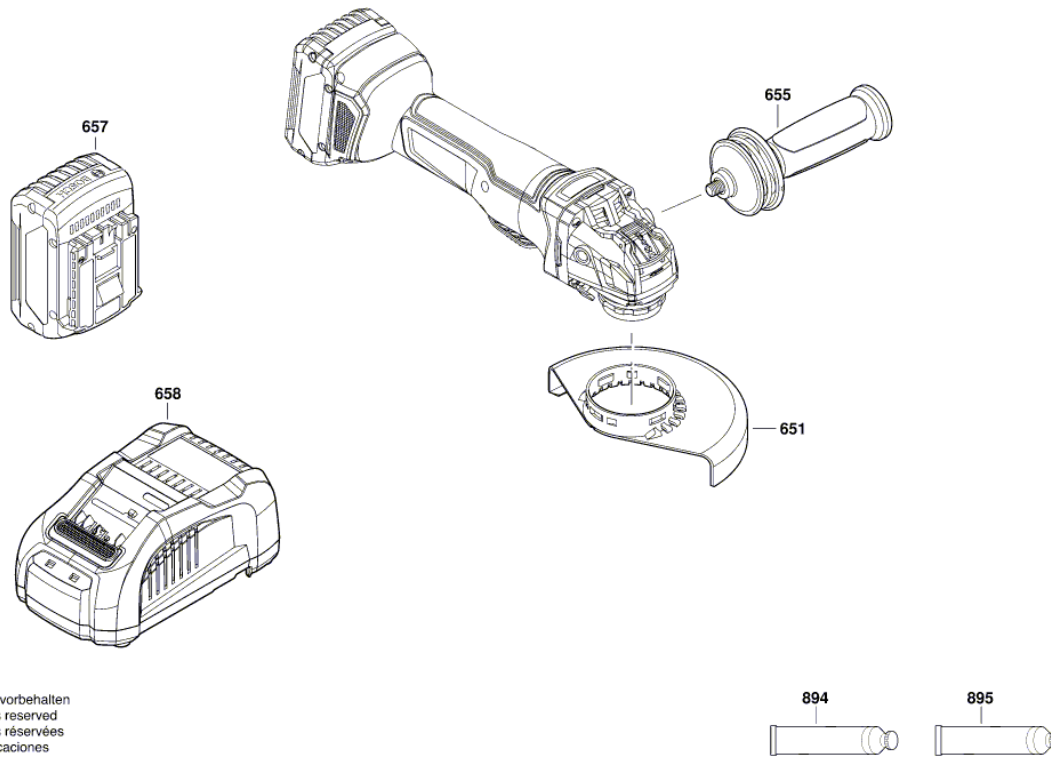


Illustration - Type - E

3 601 JJ4 212  
Stand } 23-03-28  
Issue } **Fig. /Abb. 2**



Änderungen vorbehalten  
Modifications reserved  
Modifications réservées  
Salvo modificaciones