



**BOSCH**

# Angle Grinder

GWX 13-60 | 3 601 GC2 110

---

## Table of Content

Spare parts list.....	2
Illustration - Type.....	4

Spare parts list

Item	Part Number	Description	Illustration
4	1 607 200 35A	Switch	1
5	1 604 460 336	Power supply cord x 1,31mm SJ 16/2 USA/CAN/SMA 2,68m 2	1
6	1 600 703 043	Grommet	1
7	1 601 302 017	Fastening Clamp	1
9	1 601 11C 3TB	Manufacturer's nameplate	1
13	2 600 905 032	Ball Bearing 7x19x6	1
14	1 600 905 032	groove ball bearing 8x22x7	1
24	1 605 500 274	Cover	1
25	1 605 500 276	Housing Cover	1
27	1 600 206 025	Rubber Ring	1
29	1 600 591 047	Air-Deflector Ring	1
30	1 600 591 048	Air Distributor	1
31	1 600 A01 M0M	Brush-Cover	1
33	1 600 210 035	O-Ring 46,0x1,1 MM	1
34	1 600 A01 2X9	Braking Element	1
35	1 600 136 013	Shim 0,1 MM THICK	1
35	1 600 136 014	Shim 0,2 MM THICK	1
35	1 600 136 015	Shim 0,3 MM THICK	1
35	1 600 136 020	Shim 0,15 MM THICK	1
37	1 600 290 016	Rotary shaft lip seal	1
40	1 600 119 011	Retaining clip	1
45	1 603 300 016	Hex Nut M7, SW10	1
49	1 603 435 08X	Thread-forming tap. Screw M4x16-St w/ Precote 85-3	1
50	2 603 490 023	Torx Oval-Head Screw 4x20	1
53	1 603 435 078	Torx Oval-Head Screw	1
54	1 603 414 026	Torx Oval-Head Screw 4x30	1
55	2 603 490 021	Torx Oval-Head Screw 4x12	1
97	1 601 11C 0PA	Warning Plate	1
108	1 600 712 030	Insulating Part	1
301/17	1 604 652 021	Spiral Spring	1
301/18	1 602 026 091	Switch Handle	1
301/19	1 604 611 031	Compression Spring	1
301/20	1 602 319 026	Adjusting Slide	1
301/48	1 613 435 034	Lens Head Screw 3x10 ST	1

# Angle Grinder | GWX 13-60 | 3 601 GC2 110

## Spare parts list

Item	Part Number	Description	Illustration
343	1 607 000 742	Catch Lever	1
343/44	1 604 611 042	Compression Spring	1
801	1 607 000 CY2	Motor Housing	1
802	1 604 220 533	Field assembly 127V	1
803	1 607 000 V66	Armature 120V	1
808	1 601 11A 95F	Nameplate	1
810	1 607 000 V61	Carbon-Brush Set	1
813	1 607 000 V38	groove ball bearing	1
816	1 607 000 V43	Brush Holder	1
818	1 607 000 V42	Pan head screw	1
821	1 607 000 EA1	Gear Housing	1
828	1 607 000 D5H	Parts Set	1
835	1 606 610 132	Fan	1
840	1 607 000 D5Y	Parts Set	1
840/1	1 607 000 EA7	Lever	1
841	1 607 000 D5Z	Parts Set	1
851	1 607 000 DA5	Speed governor	1
650/1	1 602 025 0A0	Auxiliary Handle	2
651	1 600 A00 XL6	Protective Cover	2
652	1 600 A00 XL8	Protective Cover	2
891	1 602 025 09T	Auxiliary Handle	2

Illustration - Type - E

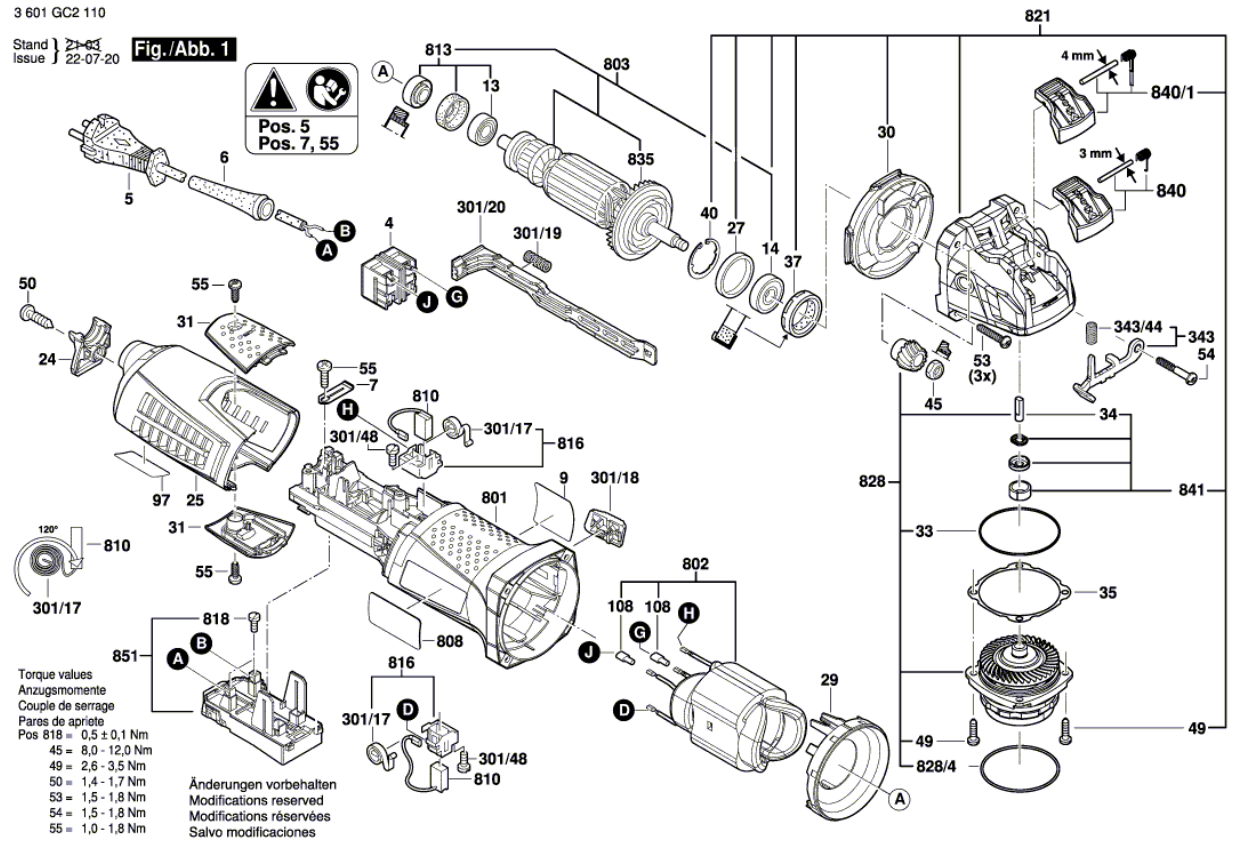
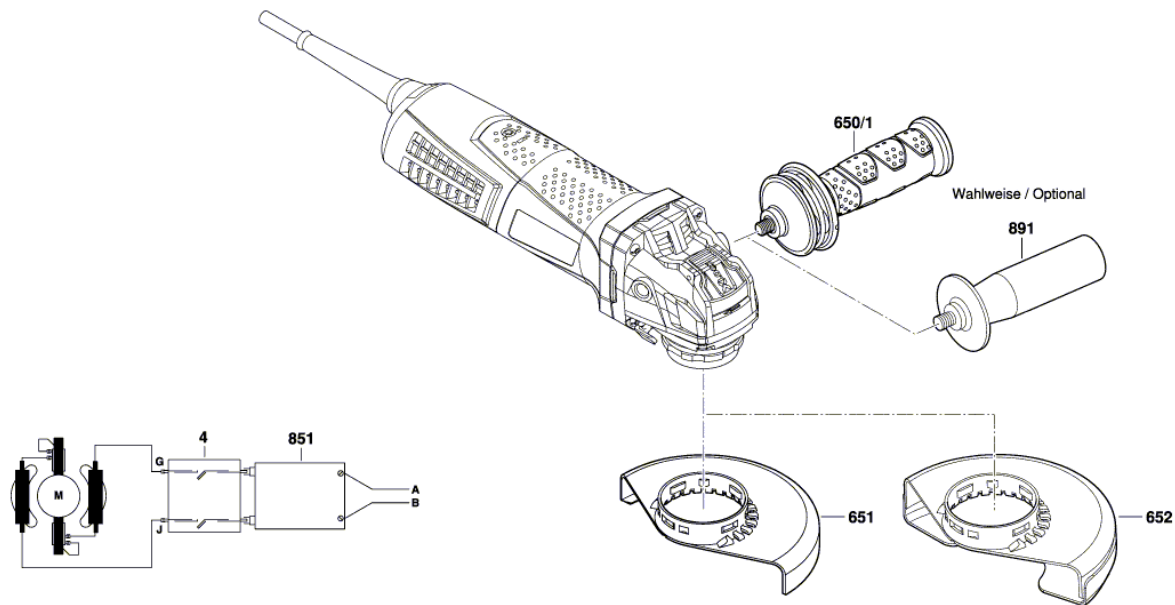


Illustration - Type - E

3 601 GC2 110

Stand } 21-03  
Issue } 22-04-11 **Fig./Abb. 2**



Änderungen vorbehalten  
Modifications reserved  
Modifications réservées  
Salvo modificaciones