

## Angle Grinder - 3 601 GC0 010 - GWX13-50VSP

www.powertools-aftersaleservice.com



**BOSCH**

Item	Part Number	Description	Illustration	Price	Quantity	Price Group
	2 1 604 220 479	Field 110-127V		1	-,-	1 33
3/13	2 600 905 032	Ball Bearing 7x19x6		1	-,-	1 17
	4 1 607 200 35A	Switch		1	-,-	1 23
	5 1 604 460 336	Power supply cord USA/CAN/SMA 2,68m 2 x 1,31mm SJ 16/2		1	-,-	1 26
	6 1 600 703 043	Grommet		1	-,-	1 13
	7 1 601 302 017	Fastening Clamp		1	-,-	1 10
	9 1 601 11C 2TZ	Manufacturer's nameplate		1	-,-	1 13
	14 1 600 905 032	groove ball bearing 8x22x7		1	-,-	1 18
	25 1 605 108 292	Housing Section		1	-,-	1 22
	27 1 600 206 025	Rubber Ring		1	-,-	1 12
	29 1 600 591 047	Air-Deflector Ring		1	-,-	1 12
	30 1 600 591 048	Air Distributor		1	-,-	1 13
	33 1 600 210 035	O-Ring 46,0x1,1 MM		1	-,-	1 11
	34 1 600 A01 2X9	Braking Element		1	-,-	1 12
	35 1 600 136 013	Shim 0,1 MM THICK		1	-,-	1 13
	35 1 600 136 014	Shim 0,2 MM THICK		1	-,-	1 13
	35 1 600 136 015	Shim 0,3 MM THICK		1	-,-	1 13
	35 1 600 136 020	Shim 0,15 MM THICK		1	-,-	1 13
	37 1 600 290 016	Rotary shaft lip seal		1	-,-	1 12
	40 1 600 119 011	Retaining clip		1	-,-	1 12
	45 1 603 300 016	Hex Nut M7, SW10		1	-,-	1 11
	49 1 603 435 08X	Thread-forming tap. Screw M4x16-St w/ Precote 85-3		1	-,-	4 10
	50 1 603 435 078	Torx Oval-Head Screw		1	-,-	4 10
	53 1 603 435 078	Torx Oval-Head Screw		1	-,-	3 10
	54 1 603 414 026	Torx Oval-Head Screw 4x30		1	-,-	1 10
	55 2 603 490 021	Torx Oval-Head Screw 4x12		1	-,-	1 10
	58 1 604 617 012	Compression Spring		1	-,-	1 10
	59 1 602 002 015	Locking Lever		1	-,-	1 10
	60 1 602 026 095	Reverse-Transfer Lever		1	-,-	1 10
	61 1 600 A00 X5A	Straight Pin		1	-,-	1 10
301/17	1 604 652 021	Spiral Spring		1	-,-	2 10
301/48	1 613 435 034	Lens Head Screw 3x10 ST		1	-,-	2 10

Item	Part Number	Description	Illustration	Price	Quantity	Price Group
343	1 607 000 742	Catch Lever	1	-,-	1	20
343/44	1 604 611 042	Compression Spring	1	-,-	1	11
650/1	1 602 025 052	Auxiliary Handle M10 ANTI-VIBRATION	2	-,-	1	31
651	1 600 A00 XL5	Protective Cover	2	-,-	1	28
801	1 607 000 D99	Motor Housing	1	-,-	1	-
803	1 607 000 V65	Armature 120V	1	-,-	1	44
808	1 601 11A 6JV	Nameplate	1	-,-	1	13
810	1 607 000 V61	Carbon-Brush Set	1	-,-	1	26
813	1 607 000 V38	groove ball bearing	1	-,-	1	20
816	1 607 000 V43	Brush Holder	1	-,-	1	15
818	1 607 000 505	Switch-Pawl	1	-,-	1	22
821	1 607 000 D5F	Gear Housing	1	-,-	1	34
828	1 607 000 D5G	Parts Set	1	-,-	1	39
828/04	3 600 210 109	O-Ring 47,0x1,5 MM	1	-,-	1	12
835	1 606 610 132	Fan	1	-,-	1	12
840	1 607 000 D5Y	Parts Set	1	-,-	1	20
841	1 607 000 D5Z	Parts Set	1	-,-	1	17
851	1 607 233 5DN	Speed governor	1	-,-	1	40
852	1 607 000 V42	Pan head screw	1	-,-	1	10

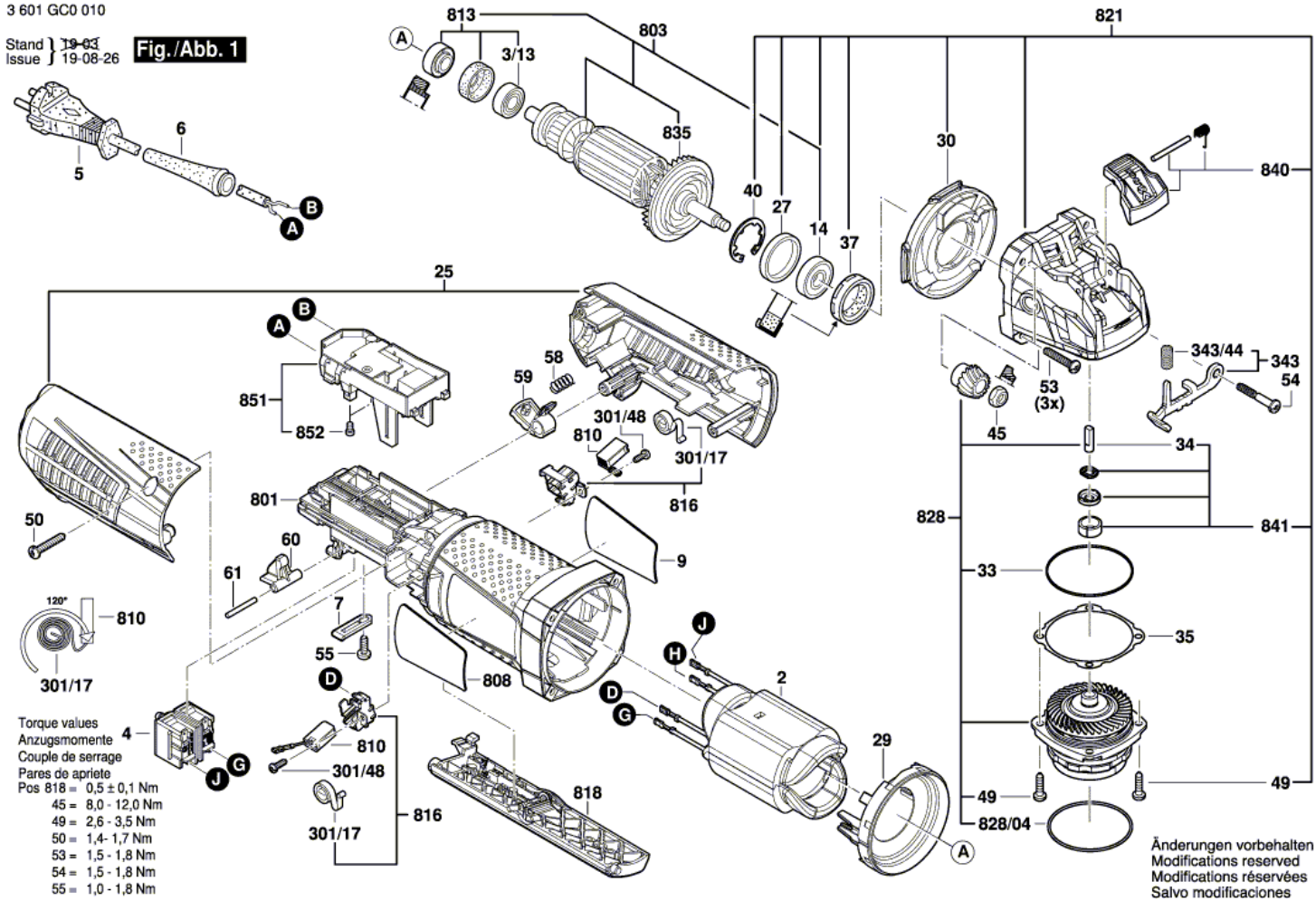
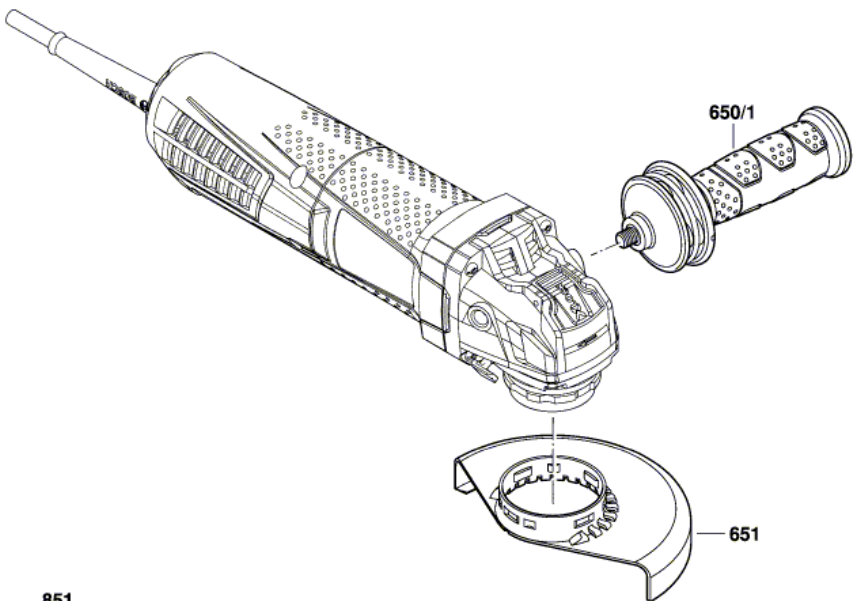


Illustration - Type E

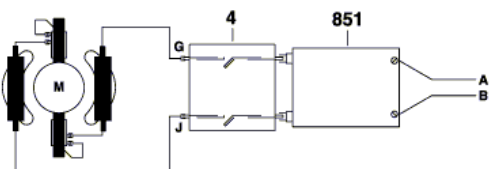


3 601 GC0 010

Stand }  
Issue }

16-01-13

**Fig./Abb. 2**



Änderungen vorbehalten  
Modifications reserved  
Modifications réservées  
Salvo modificaciones

Information subject to change without further notice.