



**BOSCH**

# Angle Grinder

GWS 900-125 | 3 601 C96 082

---

## Table of Content

Spare parts list.....	2
Illustration - Type.....	4

# Angle Grinder | GWS 900-125 | 3 601 C96 082

## Spare parts list

Item	Part Number	Description
1	1 619 P10 959	Motor Housing
2	1 604 220 59G	Field
3	1 604 010 BN1	Armature
4	1 607 200 31Y	Switch
5	1 604 460 263	Power supply cord H05 W-F CN 2,65m 2 x 0,75mm
6	2 600 703 012	Grommet Ø6,5-Ø6,9x95 MM
7	1 601 302 017	Fastening Clamp
12	1 619 P15 039	Suppression Filter
13	1 619 P08 829	groove ball bearing
14	1 619 P13 103	groove ball bearing
16	1 619 P01 811	Brush Holder
17	1 604 652 013	Spiral Spring
18	1 619 P11 487	Compression Spring
22	1 619 P10 968	Adjusting Slide
23	1 619 P10 969	Switch Button
25	1 619 P13 558	Housing Cover
26	1 600 502 023	Intermediate Ring
27	1 600 206 025	Rubber Ring
28/1	1 619 P07 440	Ball Bearing
28/3	2 916 660 013	Retaining clip DIN 472-32x1,2 MM
29	1 619 P10 970	Air-Deflector Ring
30	1 619 P14 139	Air Distributor
32	1 619 P06 419	Grinding Spindle M 14, SW 17
33	1 619 P02 820	O-Ring 44,0x1,0 MM
35	1 619 P02 821	Shim 0,1 MM
35	1 619 P02 822	Shim 0,2 MM
36	1 619 P00 987	Washer
37	1 600 100 033	Cover Disc
41	1 600 910 018	Needle bearing Ø8xØ12x8 MM
45	2 915 011 007	Hex Nut DIN 934-M6-8-A
47	2 609 110 052	Special Screw
48	1 619 P00 220	Torx Oval-Head Screw 3x10
49	1 603 435 068	Thread-forming tap. Screw DIN 7500, M4x10, SR10.2
50	1 619 P00 105	Torx Oval-Head Screw 4x20

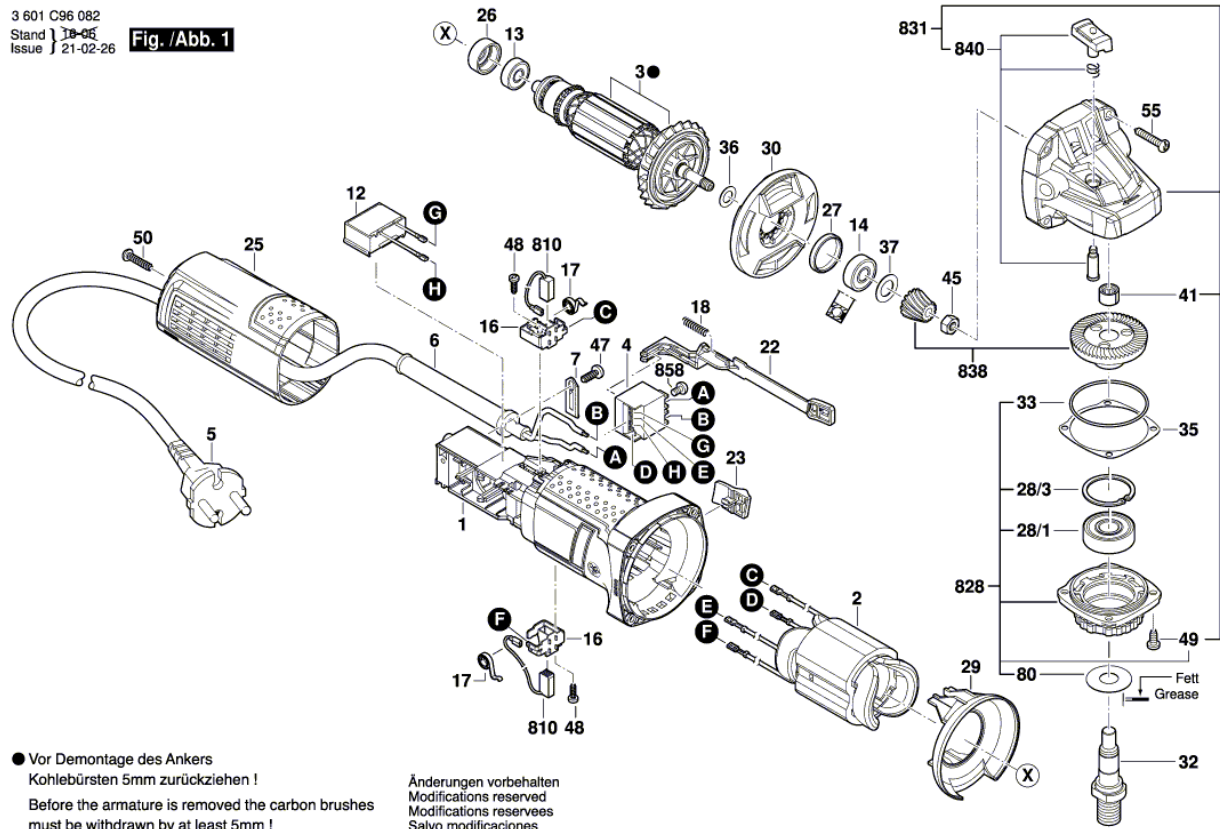
**Spare parts list**

<b>Item</b>	<b>Part Number</b>	<b>Description</b>		
55	1 619 P01 066	Torx Oval-Head Screw	4x25	
80	1 619 P09 390	Cover Disc		
810	1 619 P11 715	Carbon-Brush Set		
828	1 619 P07 451	Bearing Flange		
831	1 619 P12 186	Gear Housing		
838	1 619 P14 111	Set Of Gears		
840	1 619 P12 188	Push Button		
858	2 910 641 081	Oval-Head Screw	DIN7985-M3,5x5-4.8-H	
650/1	1 602 025 09T	Auxiliary Handle		
650/2	1 603 345 043	Round Nut	M14	
650/3	1 619 P08 927	Pin-Type Face-Wrench		
650/5	2 605 703 014	Clamping Flange	Ø22,3xØ42 MM	
650/5/2	1 600 210 039	O-Ring	20,35x1,78 MM	
651	1 600 A00 XU7	Protective Cover	Ø125 MM	SILVER
894	1 615 430 020	Grease Tube	225 ML	
895	1 605 430 003	Grease Tube	225 ML	

Illustration - Type - E

3 601 C96 082  
 Stand } 18-05  
 Issue } 21-02-26

Fig. /Abb. 1

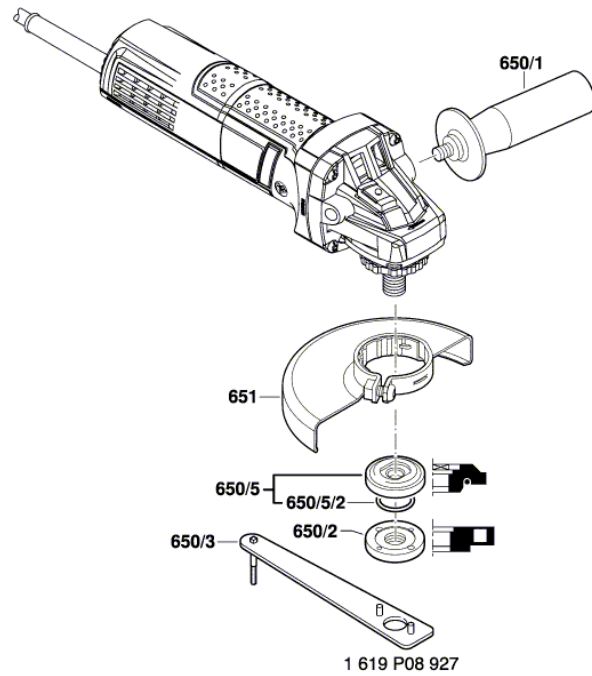


● Vor Demontage des Ankers  
 Kohlebürsten 5mm zurückziehen!  
 Before the armature is removed the carbon brushes  
 must be withdrawn by at least 5mm!

Änderungen vorbehalten  
 Modifications reserved  
 Modificaciones reservées  
 Salvo modificaciones

Illustration - Type - E

3 601 C96 082  
Stand } 18-06  
Issue } 16-07-05 **Fig. /Abb. 2**



Änderungen vorbehalten  
Modifications reserved  
Modificaciones reservadas  
Salvo modificaciones

