



**BOSCH**

# Angle Grinder

GWS 8-115 Z | 3 601 H31 500

---

## Table of Content

Spare parts list.....	2
Illustration - Type.....	4

# Angle Grinder | GWS 8-115 Z | 3 601 H31 500

## Spare parts list

Item	Part Number	Description
1	1 605 108 222	Motor Housing BLUE
4	1 607 200 257	Switch Assembly
4/56	1 603 415 004	Lens Head Screw
6	1 619 P14 643	Grommet Ø 8,6mm
7	1 601 302 017	Fastening Clamp
9	1 619 P12 558	Manufacturer's nameplate
13	2 600 905 032	Ball Bearing 7x19x6
14	1 619 P09 955	groove ball bearing
16	1 601 323 023	Brush Holder WITH DISCONNECTING DEVICE
17	1 604 652 013	Spiral Spring
25	1 600 508 031	Housing Cover BLUE
26	1 600 206 036	Rubber Ring
27	1 600 206 025	Rubber Ring
29	1 600 591 038	Air-Deflector Ring
30	1 600 591 014	Air-Deflector Ring
32	1 619 P06 419	Grinding Spindle M 14, SW 17
33	1 600 210 035	O-Ring 46,0x1,1 MM
35	1 600 136 013	Shim 0,1 MM THICK
35	1 600 136 014	Shim 0,2 MM THICK
35	1 600 136 015	Shim 0,3 MM THICK
38	1 606 333 616	Crown Gear Z=38
39	1 606 333 617	Bevel Gear Z=11
40	1 600 119 011	Retaining clip
41	1 600 200 029	Plain bearing
45	1 603 300 016	Hex Nut M7, SW10
47	2 912 401 019	Tapping Screw DIN7981-ST3,9x16-C-Z
48	2 912 401 005	Tapping Screw DIN7981-ST2,9x9,5C-Z
49	1 619 P07 559	Thread-forming tap. Screw
50	1 603 435 051	Tapping Screw ST3,9x32 SILVER
52	1 604 478 015	Connection Part
55	1 603 415 005	Oval-Head Screw
59	1 602 025 082	Plug BLUE
104	1 600 210 044	O-Ring 4,5x1,0 MM BLUE
105	1 601 071 000	Insulating Plate

Spare parts list

Item	Part Number	Description		
802	1 604 220 458	Field		
803	1 604 010 633	Armature With Fan	220-230V	
805	1 604 460 262	Power supply cord 0,75mm H05 VV-F	CN 220V 2,65m 2 x	
808	1 619 P13 408	Nameplate		
810	1 607 014 176	Carbon-Brush Set		
818	1 607 000 744	Switch-Pawl		
821	1 605 806 5SC	Gear Housing		
828	1 619 P09 751	Bearing Flange		
835	1 606 610 129	Fan		
840	1 607 000 A71	Push-Button		
880	1 619 P09 390	Cover Disc		
651	1 600 A00 XU6	Protective Cover	Ø115 MM	SILVER
891	1 602 025 09T	Auxiliary Handle		
891	1 602 025 0A0	Auxiliary Handle		
892	1 619 P09 976	Round Nut With 2 Holes		
893	1 619 P08 928	Pin-Type Face-Wrench		
895	1 605 703 113	Clamping-Flange	M10, 16-20 MM	
897	1 605 430 003	Grease Tube	225 ML	
898	1 615 430 020	Grease Tube	225 ML	
899	3 605 430 008	Oil	1000 ML	

Illustration - Type - E

3 601 H31 5Z1  
 Stand } 15-03  
 Issue } 16-05-11

Fig./Abb. 1

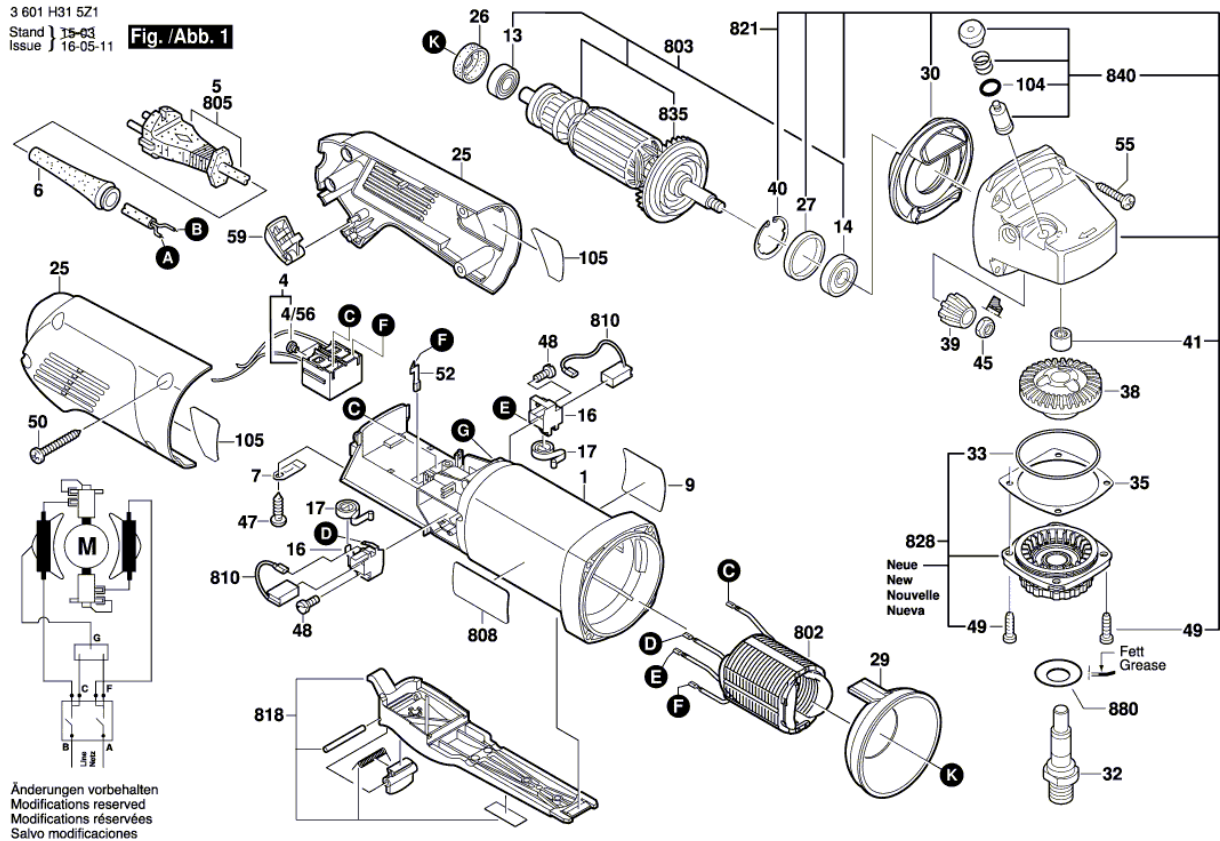
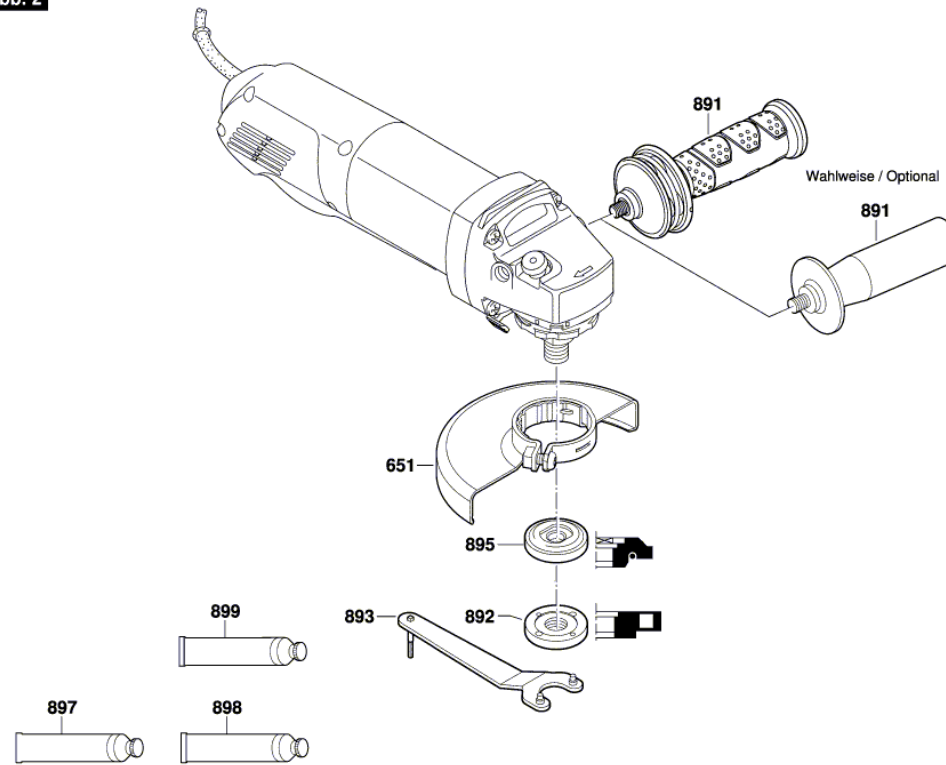


Illustration - Type - E

3 601 H31 5Z1  
Stand } 15-03-31 **Fig./Abb. 2**  
Issue }



Änderungen vorbehalten  
Modifications reserved  
Modifications réservées  
Salvo modificaciones