



**BOSCH**

# Angle Grinder

GWS 8-100 C | 0 601 377 643

---

## Table of Content

Spare parts list.....	2
Illustration - Type.....	4

**Spare parts list**

<b>Item</b>	<b>Part Number</b>	<b>Description</b>
1	1 619 P09 772	Motor Housing
2	1 604 220 340	Field 220-240V
3	1 604 010 667	Armature With Fan 220-240V
3/50	1 606 610 141	Fan
4	1 607 200 146	Switch
5	1 604 460 263	Power supply cord CN 2,65m 2 x 0,75mm H05 W-F
6	2 600 703 012	Grommet Ø6,5-Ø6,9x95 MM
7	1 601 302 017	Fastening Clamp
9	1 619 P31 098	Manufacturer's nameplate GWS 8-100 C
12	2 609 120 008	Suppression Filter
13	2 600 905 032	Ball Bearing 7x19x6
14	1 619 P11 240	groove ball bearing
16	1 619 P01 811	Brush Holder
17	1 604 652 013	Spiral Spring
18	1 604 611 031	Compression Spring
22	1 602 319 009	Adjusting Slide
23	1 602 026 068	Switch Handle BLACK
25	1 605 500 194	Housing Cover BLUE
26	1 600 502 024	Intermediate Ring
27	1 600 206 025	Rubber Ring
29	1 600 591 023	Air-Deflector Ring
30	1 600 591 024	Air-Deflector Ring
32	1 603 523 111	Grinding Spindle M10, SW12
33	1 600 210 041	O-Ring 42,0x1,1 MM
35	1 600 136 016	Shim 0,1 MM THICK
35	1 600 136 017	Shim 0,2 MM THICK
37	1 600 100 033	Cover Disc
38	2 609 110 150	Conversion Gear
39	2 609 110 149	Pinion
45	2 915 011 007	Hex Nut DIN 934-M6-8-A
47	2 609 110 052	Special Screw
48	1 619 P00 220	Torx Oval-Head Screw 3x10
49	1 603 435 068	Thread-forming tap. Screw DIN 7500, M4x10, SR10.2
50	2 910 611 020	Tapping Screw DIN 7981-ST3,9x19-C-H

**Spare parts list**

<b>Item</b>	<b>Part Number</b>	<b>Description</b>	
51	1 607 233 139	Regulator	220-240V
55	2 910 611 022	Tapping Screw	DIN 7981-ST3,9x25-C-H
80	1 619 P09 390	Cover Disc	
808	1 619 P00 569	Nameplate	
810	1 607 014 145	Carbon-Brush Set	
821	1 605 806 466	Gear Housing	
828	1 605 805 090	Bearing Flange	BLACK
840	1 607 000 298	Push-Button	BLACK
841	1 600 910 018	Needle bearing	Ø8xØ12x8 MM
650/10	1 602 025 09T	Auxiliary Handle	
650/20	1 619 P09 976	Round Nut With 2 Holes	
650/30	2 609 110 015	Pin-Type Face-Wrench	
650/50	1 605 703 113	Clamping-Flange	M10, 16-20 MM
651	2 609 110 050	Protective Guard	Ø 115 MM

Illustration - Type - E

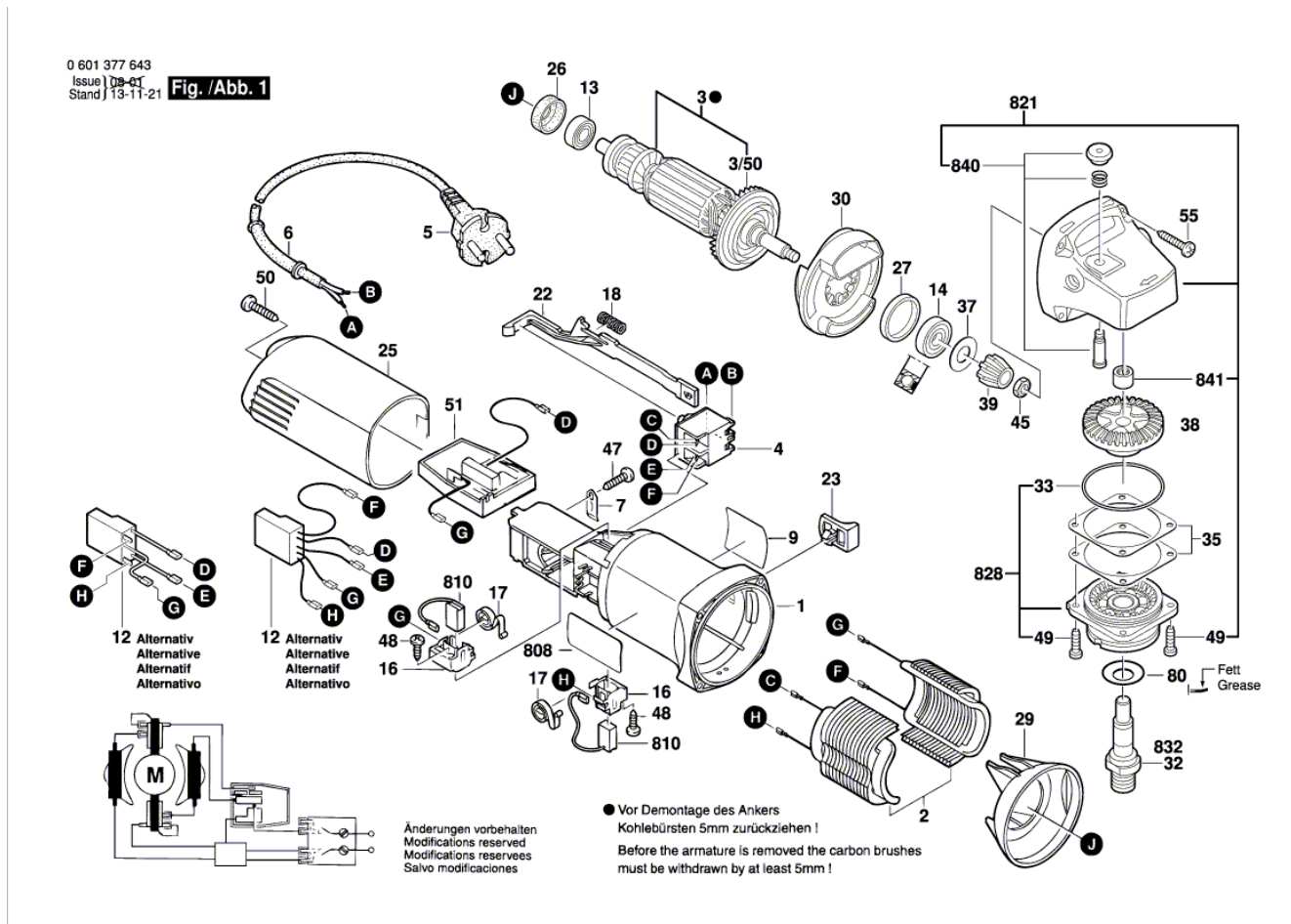
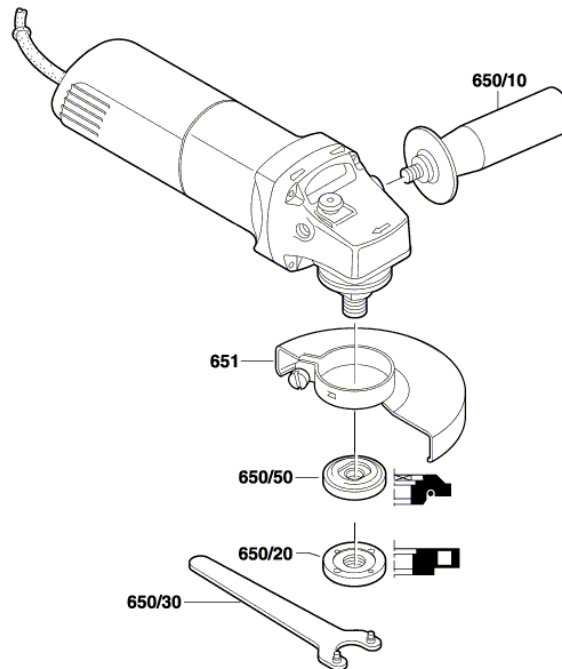


Illustration - Type - E

0 601 377 643  
Stand | 03-07-23  
Issue | 03-07-24 **Fig./Abb. 2**



der ingen voor behal ten  
Modifications reserved  
Modificaciones reservadas  
Salvo modificaciones