



BOSCH

Angle Grinder

GWS 700 | 3 601 CA3 080

Table of Content

Spare parts list.....	2
Illustration - Type.....	4

Angle Grinder | GWS 700 | 3 601 CA3 080**Spare parts list**

Item	Part Number	Description
1	1 619 PB4 405	Motor Housing
2	1 619 PB4 413	Field
3	1 619 PB4 412	Armature
4	1 619 PB4 414	On-Off Switch
5	1 619 PB7 751	Power supply cord
6	1 619 PB4 451	Cord guard
8	1 619 PB7 676	Nameplate
9	1 619 PB4 436	Manufacturer's nameplate
12	1 619 PB4 656	Pc Capacitor
13	1 619 PB4 422	groove ball bearing
14	1 619 PB4 423	groove ball bearing
22	1 619 PB4 452	Rubber Ring
23	1 619 PB4 443	Intermediate Ring
24	1 619 PB4 463	Spring retaining ring
25	1 619 PB4 469	O-Ring
27	1 619 PB4 460	Hex Nut
30	1 619 PB4 458	Tapping Screw
46	1 619 PB4 435	Air-Deflector Ring
47	1 619 PB4 456	Tapping Screw
50	1 619 PB4 406	Switch Button
51	1 619 PB4 408	Adjusting Slide
52	1 619 PB4 407	Housing Cover
53	1 619 PB4 454	Tapping Screw
810	1 619 PB4 749	Carbon Brush
816	1 619 PB4 671	Brush Holder
826	1 619 PB4 669	Fastening Clamp
828	1 619 PB4 667	Bearing Flange
831	1 619 PB4 673	Gear Housing
832	1 619 PB7 755	Drive Shaft
838	1 619 PB4 664	Pinion
840	1 619 PB4 665	Push-Button
651	1 619 PB7 672	Protective Cover
652	1 619 PB7 671	Clamping Flange
653	1 619 PB7 670	Round Nut
654	1 619 PB7 674	Pin-Type Face-Wrench

Spare parts list

Item	Part Number	Description
655	1 619 PB4 409	Auxiliary Handle

Illustration - Type - E

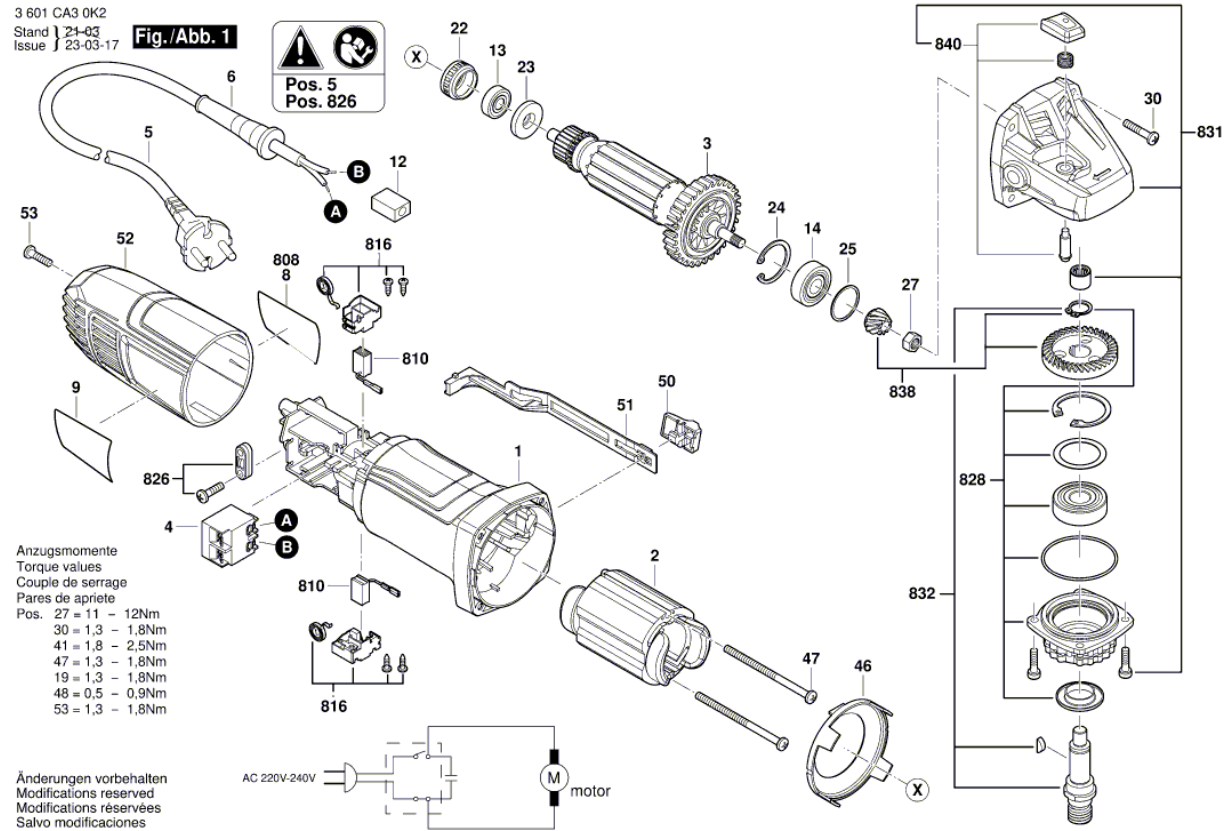
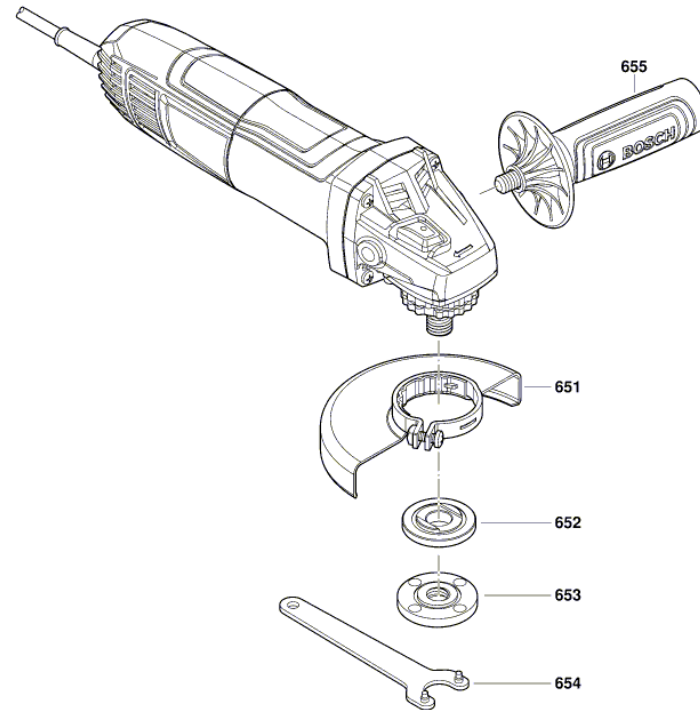


Illustration - Type - E

3 601 CA3 0K2
Stand } 20-12-09 **Fig./Abb. 2**
Issue }



Änderungen vorbehalten
Modifications reserved
Modifications réservées
Salvo modificaciones