



BOSCH

Angle Grinder

GWS 7-115 | 0 601 380 039

Table of Content

Spare parts list.....	2
Illustration - Type.....	4

Spare parts list

Item	Part Number	Description	Illustration
1	1 605 108 161	Motor Housing BLUE	1
2	1 604 220 586	Field	1
3/50	1 606 610 129	Fan	1
4	1 607 200 115	Switch	1
5	1 604 460 133	Power supply cord USA/CDN 2,15m 2 x 2,08mm SJ 14/2	1
6	1 600 703 030	Grommet Ø6,4-Ø7,2x67 MM	1
6	1 600 703 031	Grommet Ø7,3-Ø8,6x67 MM	1
6	1 600 703 032	Grommet Ø8,7-Ø9,5x67 MM	1
7	1 601 302 017	Fastening Clamp	1
9	1 601 118 144	Manufacturer's nameplate	1
13	2 600 905 032	Ball Bearing 7x19x6	1
14	1 600 905 032	groove ball bearing 8x22x7	1
16	1 604 336 030	Brush Holder	1
17	1 604 652 013	Spiral Spring	1
18	1 602 319 013	Switch-Pawl BLACK	1
19	1 604 611 024	Compression Spring	1
20	1 602 319 007	Shift-Lever Knob BLACK	1
25	1 605 500 169	Housing Cover BLUE	1
26	1 600 206 036	Rubber Ring	1
27	1 600 206 025	Rubber Ring	1
29	1 600 591 013	Air-Deflector Ring	1
30	1 600 591 014	Air-Deflector Ring	1
31	1 601 290 007	Clamping Spring	1
32	1 607 000 D6A	Grinding Spindle	1
33	3 600 210 124	O-Ring 46,0x1,1 MM RED	1
35	1 600 136 013	Shim 0,1 MM THICK	1
35	1 600 136 014	Shim 0,2 MM THICK	1
35	1 600 136 015	Shim 0,3 MM THICK	1
35	1 600 136 020	Shim 0,15 MM THICK	1
37	1 600 290 016	Rotary shaft lip seal	1
40	1 600 119 011	Retaining clip	1
41	1 600 910 018	Needle bearing Ø8xØ12x8 MM	1
45	1 603 300 016	Hex Nut M7, SW10	1
47	1 603 435 042	Plastic-Cutting Screw St3,9x12	1

Spare parts list

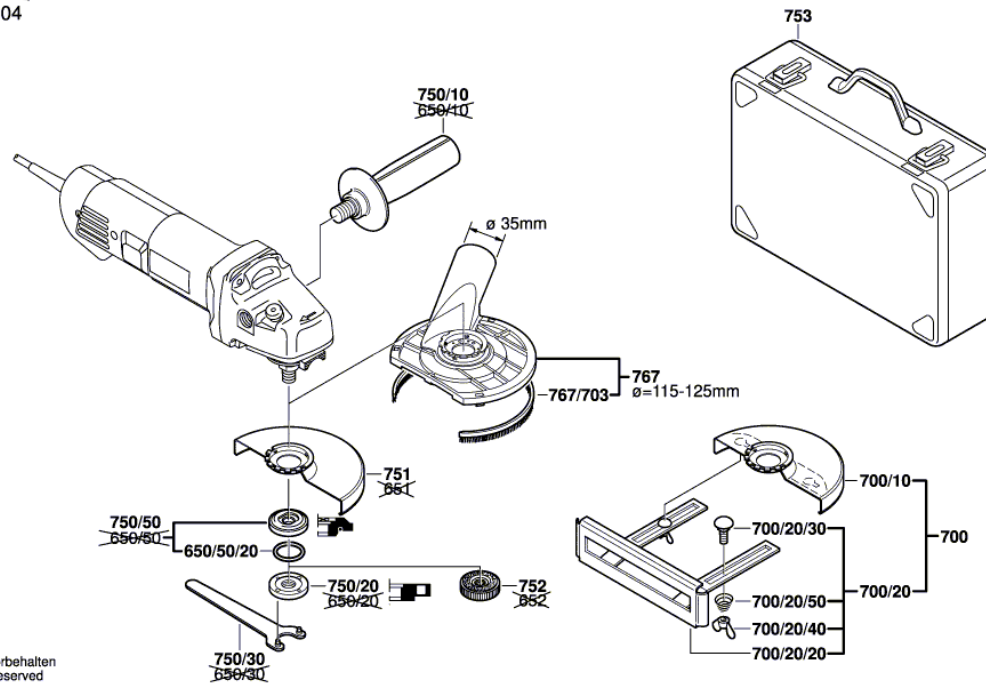
Item	Part Number	Description	Illustration
49	1 603 435 026	Thread-forming tap. Screw	1
50	1 603 435 037	Plastic-Cutting Screw	1
55	1 603 415 005	Oval-Head Screw	1
56	1 603 435 044	Plastic-Cutting Screw	1
57	1 603 429 002	Socket head cap screw M3,5x7 MM	1
80	1 619 P09 390	Cover Disc	1
104	1 600 210 044	O-Ring 4,5x1,0 MM BLUE	1
803	1 604 010 479	Armature With Fan 100-115V	1
808	1 601 11A 3H3	Nameplate	1
810	1 607 014 176	Carbon-Brush Set	1
821	1 605 806 451	Gear Housing	1
821/010	1 607 000 253	Push-Button BLACK	1
828	1 605 805 079	Bearing Flange BLACK	1
838	1 607 000 D4Y	Gear Unit	1
650/50/20	1 600 210 039	O-Ring 20,35x1,78 MM	2
700	2 607 001 189	Guide Block	2
700/10	2 605 510 102	Protective Cover Ø 115MM	2
700/20	1 608 135 004	Guide Block	2
700/20/30	2 910 281 158	Round-Head Bolt DIN 603-M 5x16	2
700/20/40	2 915 191 105	Wing Nut M 5 DIN 315-G-5	2
700/20/50	1 604 643 004	Compression Spring	2
750/10	1 602 025 09T	Auxiliary Handle	2
750/20	1 603 340 040	Clamping Nut M14	2
750/30	1 607 950 043	Pin-Type Face-Wrench	2
750/50	1 605 703 099	Clamping-Flange Ø22,2x42 MM	2
751	2 605 510 105	Protective Cover Ø 115MM SILVER	2
752	1 600 A01 6PP	Fast Locking Flange	2
753	1 605 438 089	Carrying Case	2
767	2 605 510 107	Suction Hood Ø115-125MM	2
767/703	2 605 730 036	Brush	2

Illustration - Type - E

Typ 0 601 380 039

Stand ~~95-03~~

Issue 95-04



Änderungen vorbehalten
 Modifications reserved
 Modifications reserves
 Salvo modificaciones
Robert Bosch GmbH
 Geschäftsbereich Elektrowerkzeuge
 70745 Leinfelden-Echterdingen