



BOSCH

Angle Grinder

GWS 6-100 S | 3 601 C75 08J

Table of Content

Spare parts list.....	2
Illustration - Type.....	4

Spare parts list

Item	Part Number	Description
1	1 619 P10 030	Motor Housing
2	1 619 P08 322	Field 230V
3	1 619 P08 222	Armature 220V
3/50	1 606 610 141	Fan
4	1 619 P09 984	Switch
5	1 619 P10 098	Power supply cord
6	2 600 703 012	Grommet Ø6,5-Ø6,9x95 MM
7	1 601 302 017	Fastening Clamp
12	1 619 P10 032	Suppression Filter
13	1 619 P00 456	Ball Bearing 7x19x6 MM
14	1 619 P00 455	Ball Bearing
16	1 619 P01 811	Brush Holder
17	1 604 652 013	Spiral Spring
24	1 619 P10 033	Switch Support
25	1 619 P10 031	Housing Cover
26	1 600 502 024	Intermediate Ring
27	1 600 206 025	Rubber Ring
29	1 600 591 023	Air-Deflector Ring
30	1 600 591 024	Air-Deflector Ring
32	1 603 523 111	Grinding Spindle M10, SW12
33	1 600 210 041	O-Ring 42,0x1,1 MM
35	1 600 136 016	Shim 0,1 MM THICK
35	1 600 136 017	Shim 0,2 MM THICK
37	1 600 100 033	Cover Disc
38	1 619 P01 991	Bevel Gear
39	1 619 P01 990	Pinion
45	2 915 011 007	Hex Nut DIN 934-M6-8-A
47	2 609 110 052	Special Screw
48	1 619 P00 220	Torx Oval-Head Screw 3x10
49	1 603 435 068	Thread-forming tap. Screw DIN 7500, M4x10, SR10.2
50	2 910 611 020	Tapping Screw DIN 7981-ST3,9x19-C-H
55	2 910 611 022	Tapping Screw DIN 7981-ST3,9x25-C-H
80	1 619 P09 390	Cover Disc
810	1 619 P10 715	Carbon-Brush Set

Spare parts list

Item	Part Number	Description
821	1 619 P10 717	Gear Housing
828	1 619 P10 716	Bearing Flange
840	1 607 000 298	Push-Button BLACK
841	1 600 910 018	Needle bearing Ø8xØ12x8 MM
650/10	1 602 025 09T	Auxiliary Handle
650/20	1 619 P09 976	Round Nut With 2 Holes
650/30	1 619 P08 928	Pin-Type Face-Wrench
650/50	1 605 703 115	Clamping-Flange
850	1 619 P01 321	Protective Cover
894	1 615 430 020	Grease Tube 225 ML
895	1 605 430 003	Grease Tube 225 ML

Illustration - Type - E

3 601 C75 0B7
Stand | 13-01-17
Issue | 13-01-30

Fig. /Abb. 1

Gerad - Verzahnung

- Vor Demontage des Ankers Kohlebürsten 5mm zurückziehen !
Before the armature is removed the carbon brushes must be withdrawn by at least 5mm !

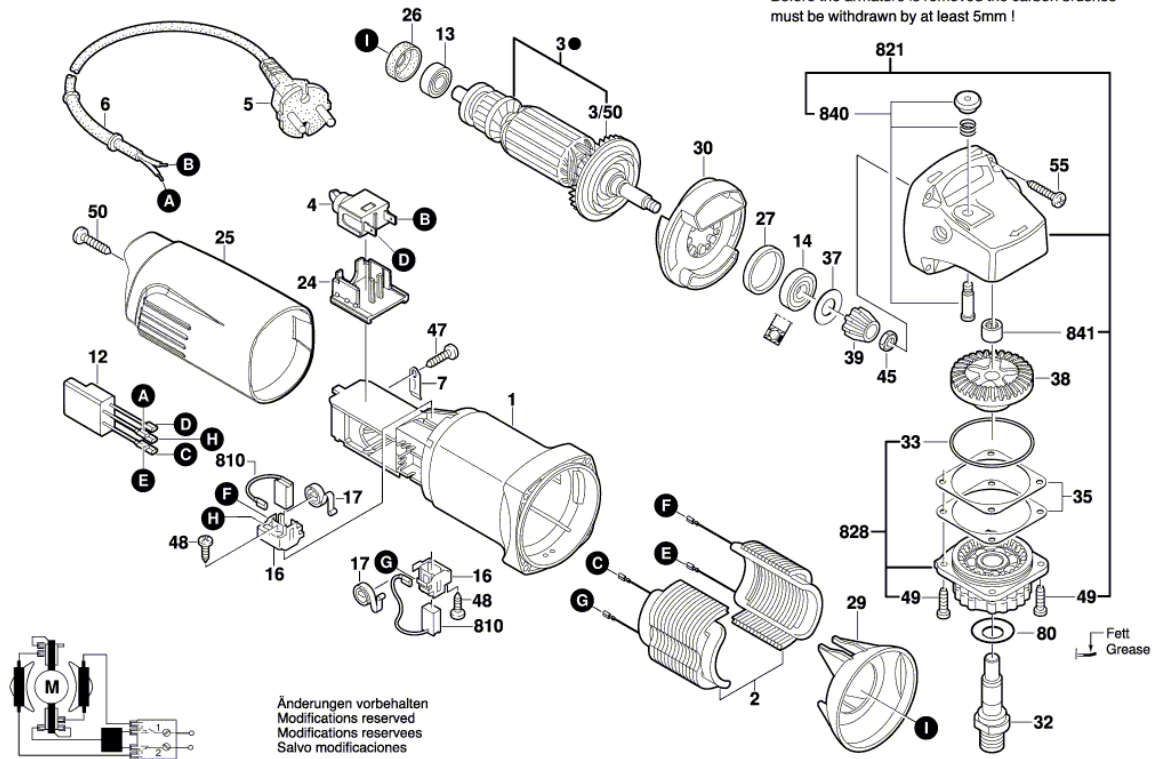
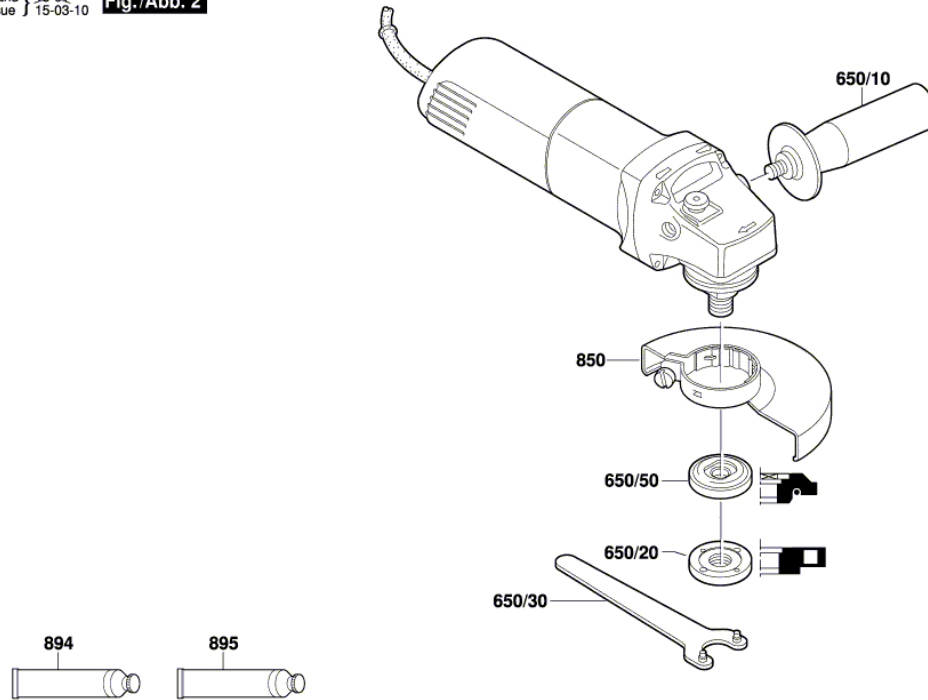


Illustration - Type - E

3 601 C75 0B7
Stand | 13-01
Issue | 15-03-10 **Fig./Abb. 2**



Änderungen vorbehalten
Modifications reserved
Modificaciones reservadas
Salvo modificaciones