



BOSCH

Angle Grinder

GWS 5-100 | 0 601 376 0W0

Table of Content

Spare parts list.....	2
Illustration - Type.....	4

Spare parts list

Item	Part Number	Description	
1	1 619 P09 772	Motor Housing	
3/50	1 606 610 141	Fan	
4	1 607 200 146	Switch	
5	1 604 460 263	Power supply cord H05 W-F	CN 2,65m 2 x 0,75mm
6	2 600 703 012	Grommet	Ø6,5-Ø6,9x95 MM
7	1 601 302 017	Fastening Clamp	
12	1 619 P07 647	Suppression Filter	
13	1 619 P11 239	groove ball bearing	
14	1 619 P11 240	groove ball bearing	
16	1 619 P01 811	Brush Holder	
17	1 604 652 013	Spiral Spring	
18	1 604 611 031	Compression Spring	
22	1 602 319 009	Adjusting Slide	
23	1 619 P02 762	Switch Button	BLACK
25	1 605 500 194	Housing Cover	BLUE
26	1 600 502 023	Intermediate Ring	
27	1 600 206 025	Rubber Ring	
29	1 600 591 023	Air-Deflector Ring	
30	1 600 591 024	Air-Deflector Ring	
32	1 603 523 111	Grinding Spindle	M10, SW12
33	1 600 210 041	O-Ring	42,0x1,1 MM
35	1 600 136 016	Shim	0,1 MM THICK
35	1 600 136 017	Shim	0,2 MM THICK
37	1 600 100 033	Cover Disc	
38	2 609 110 150	Conversion Gear	
39	2 609 110 149	Pinion	
45	2 915 011 007	Hex Nut	DIN 934-M6-8-A
47	2 609 110 052	Special Screw	
48	1 619 P00 220	Torx Oval-Head Screw	3x10
49	1 603 435 068	Thread-forming tap. Screw	DIN 7500, M4x10, SR10.2
50	2 910 611 020	Tapping Screw	DIN 7981-ST3,9x19-C-H
55	2 910 611 022	Tapping Screw	DIN 7981-ST3,9x25-C-H
80	1 619 P09 390	Cover Disc	
802	2 609 120 100	Field	230V

Spare parts list

Item	Part Number	Description	
803	2 609 120 101	Armature	230V
810	1 619 P07 571	Carbon-Brush Set	
821	1 605 806 466	Gear Housing	
828	1 619 P02 708	Bearing Flange	BLACK
840	1 607 000 298	Push-Button	BLACK
841	1 600 910 018	Needle bearing	Ø8xØ12x8 MM
857	2 910 641 081	Oval-Head Screw	DIN7985-M3,5x5-4.8-H
650/10	1 619 P09 976	Round Nut With 2 Holes	
650/20	2 609 110 015	Pin-Type Face-Wrench	
650/50	1 605 703 113	Clamping-Flange	M10, 16-20 MM
651	1 619 P02 838	Protective Cover	Ø 100 MM BLACK
865	1 602 025 09T	Auxiliary Handle	

Illustration - Type - E

0 601 376 0W0
Stand } 13-12-12
Issue } **Fig. /Abb. 1**

Gerad - Verzahnung

● Vor Demontage des Ankers
Kohlebürsten 5mm zurückziehen !
Before the armature is removed the carbon brushes
must be withdrawn by at least 5mm !

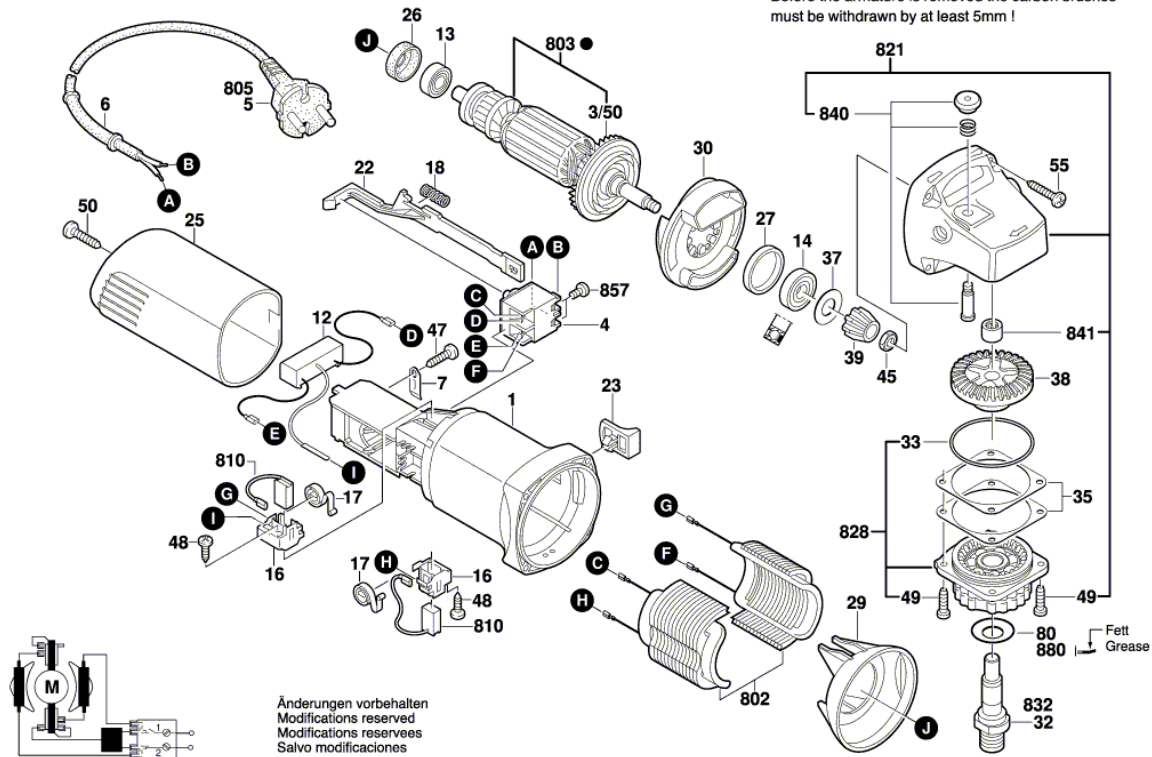
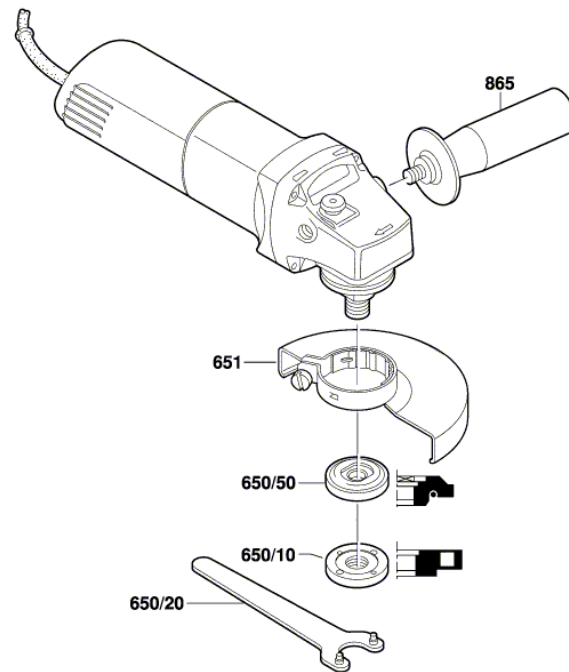


Illustration - Type - E

0 601 376 0W0
Stand }
Issue } 13-12-12 **Fig. /Abb. 2**



Änderungen vorbehalten
Modifications reserved
Modifications reserves
Salvo modificaciones