



**BOSCH**

# Angle Grinder

GWS 24-230 | 3 601 HC3 080

---

## Table of Content

Spare parts list.....	2
Illustration - Type.....	4

# Angle Grinder | GWS 24-230 | 3 601 HC3 080

## Spare parts list

Item	Part Number	Description
1	1 619 P15 457	Motor Housing
2	1 619 P14 999	Field
5	1 619 P08 921	Power supply cord H07 RN-F CN 4,15m 2 x 1,50mm
6	1 619 P14 369	Grommet
7	1 601 302 018	Fastening Clamp
13	1 600 905 011	groove ball bearing 8x22x7
14	1 600 905 028	groove ball bearing
24	1 619 P15 273	Handle
28	1 600 210 033	O-Ring 79,0x1,78 MM
29	1 600 210 045	O-Ring 8,0x1,0 MM
30	1 619 P15 274	Air Distributor
31	1 600 591 07T	Air-Deflector Ring
32	1 600 290 019	Retaining snap ring
33	1 600 290 013	Rotary shaft lip seal 18,7 MM RED
34	1 600 190 020	Shim 0,15 MM THICK
34	1 600 190 021	Shim 0,3 MM THICK
34	1 600 190 022	Shim 0,1 MM THICK
34	1 600 190 037	Shim 0,2 MM THICK
34	1 600 190 038	Shim 0,25 MM THICK
34	1 600 190 039	Shim 0,35 MM THICK
34	1 600 190 040	Shim 0,4 MM THICK
35	1 600 205 034	Felt Washer
37	1 600 290 036	Seal Ring BLACK
38	1 600 206 020	Rubber Ring 7 MM WIDE
39	1 600 206 030	Rubber Ring
45	1 603 300 019	Hex Nut M10, SW14
51	2 600 910 001	Needle-Roller Bearing Ø14 MM
53	1 605 190 068	Socket Housing
60	1 603 435 023	Thread-forming tap. Screw TT M5x18 MM
61	2 912 401 038	Tapping Screw DIN 7981-4,8x38-C-Z-ST
62	1 603 435 060	Tapping Screw 4,8x55
63	1 603 410 014	Pan head screw M4x10 MM
64	1 603 435 042	Plastic-Cutting Screw St3,9x12
65	2 912 401 020	Tapping Screw DIN 7981-3,9x19-C-Z-ST

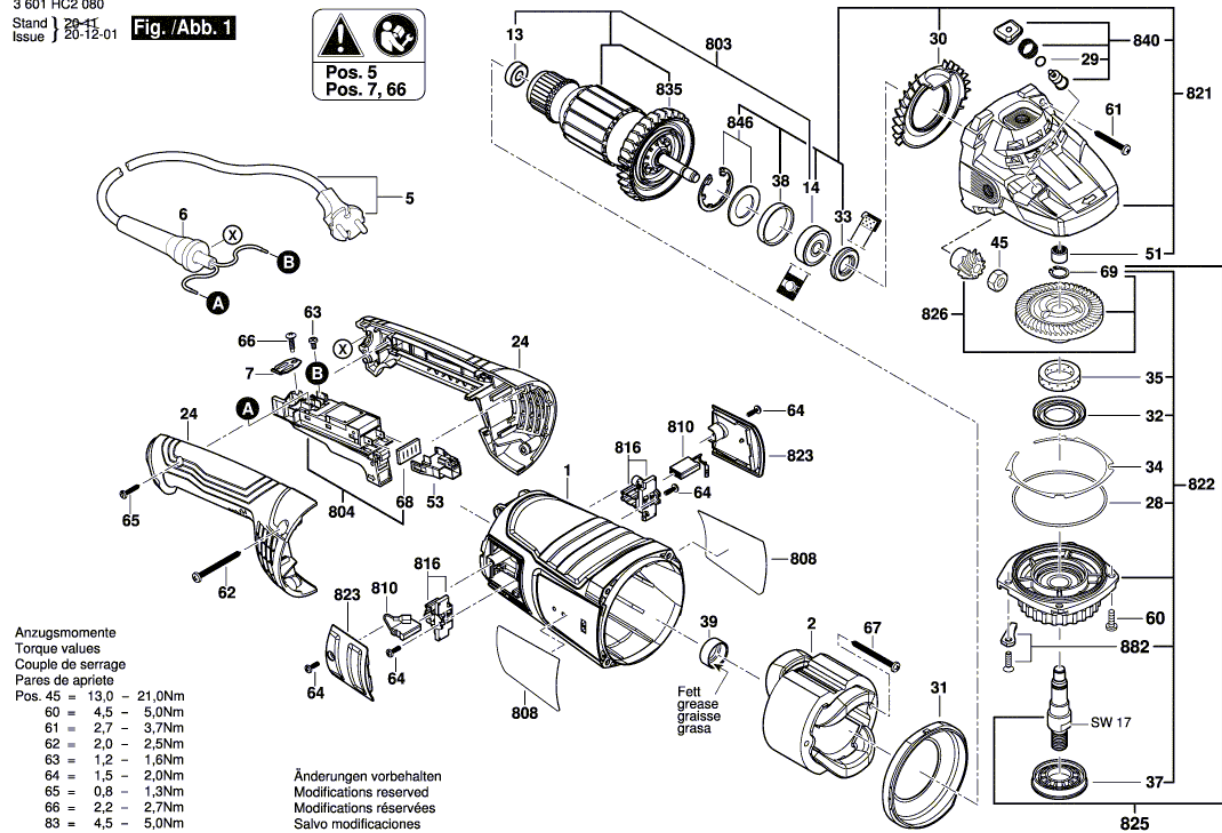
Spare parts list

Item	Part Number	Description
66	2 910 211 019	Tapping Screw DIN 7971-ST3,9x16-F
67	1 603 435 024	Tapping Screw C4,8x63 MM
68	1 601 006 011	Sealing Plate
69	2 916 650 905	Spring retaining ring
803	1 619 P16 541	Armature
804	1 619 P14 968	Switch
808	1 619 P16 072	Label
810	1 607 014 171	Carbon-Brush Set
816	1 604 336 048	Brush Holder
821	1 619 P15 750	Gear Housing
822	1 619 P15 872	Bearing Flange Ø 230MM
823	1 619 P15 945	Sealing cap
825	1 619 P15 297	Grinding Spindle
826	1 619 P15 388	Bevel Gear Set Ø230 MM
835	1 600 A00 J93	Fan
840	1 619 P15 752	Push-Button
846	1 607 000 342	Retaining Washer
882	1 619 P06 597	Stopper
651	1 619 P15 668	Protective Cover Ø230 MM
890	1 600 210 039	O-Ring 20,35x1,78 MM
891	1 619 P09 013	Auxiliary Handle
891/1	1 602 025 09Z	Auxiliary Handle
892	1 607 950 061	Pin-Type Face-Wrench
893	2 605 703 014	Clamping Flange Ø22,3xØ42 MM
894	1 603 345 043	Round Nut M14
896	1 600 A01 6PP	Fast Locking Flange
897	1 605 430 003	Grease Tube 225 ML
898	1 615 430 020	Grease Tube 225 ML

Illustration - Type - E

3 601 HC2 080  
 Stand } 20-11  
 Issue } 20-12-01

Fig./Abb. 1

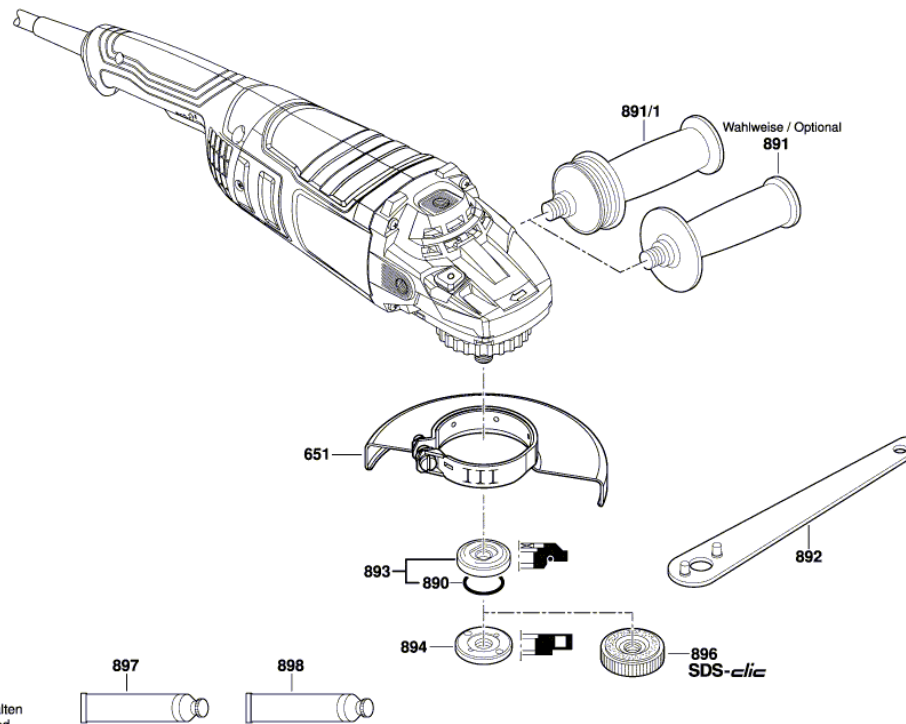


- Anzugsmomente  
 Torque values  
 Couple de serrage  
 Pares de apriete
- |           |               |
|-----------|---------------|
| Pos. 45 = | 13,0 - 21,0Nm |
| 60 =      | 4,5 - 5,0Nm   |
| 61 =      | 2,7 - 3,7Nm   |
| 62 =      | 2,0 - 2,5Nm   |
| 63 =      | 1,2 - 1,6Nm   |
| 64 =      | 1,5 - 2,0Nm   |
| 65 =      | 0,8 - 1,3Nm   |
| 66 =      | 2,2 - 2,7Nm   |
| 83 =      | 4,5 - 5,0Nm   |

Änderungen vorbehalten  
 Modifications reserved  
 Modifications réservées  
 Salvo modificaciones

Illustration - Type - E

3 601 HC2 080  
Stand } 20-11-26  
Issue } **Fig. /Abb. 2**



Änderungen vorbehalten  
Modifications reserved  
Modifications réservées  
Salvo modificaciones