



BOSCH

Angle Grinder

GWS 24-180 B | 0 601 853 043

Table of Content

Spare parts list.....	2
Illustration - Type.....	4

Spare parts list

Item	Part Number	Description		
1	1 605 108 190	Motor Housing	BLUE	
2	1 604 220 57K	Field		
5	1 604 460 255	Power supply cord H07 RN-F	CN 4,15m 2 x 1,5mm	
6	1 600 703 023	Grommet	Ø 10,5-Ø11,0x100 MM	
7	1 601 302 018	Fastening Clamp		
9	1 601 118 C86	Manufacturer's nameplate		
23	1 618 B00 802	Sealing cap		
24	1 605 132 130	Handle	BLUE	
25	1 603 123 05U	Grinding Spindle		
28	1 600 210 033	O-Ring	79,0x1,78 MM	
29	1 600 210 045	O-Ring	8,0x1,0 MM	
30	1 600 591 029	Air Distributor		
31	1 600 591 075	Air-Deflector Ring		
32	1 600 290 019	Retaining snap ring		
34	1 600 190 020	Shim	0,15 MM	THICK
34	1 600 190 021	Shim	0,3 MM	THICK
34	1 600 190 022	Shim	0,1 MM	THICK
34	1 600 190 037	Shim	0,2 MM	THICK
34	1 600 190 038	Shim	0,25 MM	THICK
34	1 600 190 039	Shim	0,35 MM	THICK
34	1 600 190 040	Shim	0,4 MM	THICK
35	1 600 205 034	Felt Washer		
37	1 600 290 036	Seal Ring	BLACK	
38	1 600 206 020	Rubber Ring	7 MM	WIDE
39	1 600 206 030	Rubber Ring		
45	1 603 300 019	Hex Nut	M10, SW14	
51	1 600 200 031	Plain bearing	Ø14 MM	
53	1 605 190 068	Socket Housing		
60	1 603 435 023	Thread-forming tap. Screw	TT M5x18 MM	
61	2 912 401 038	Tapping Screw	DIN 7981-4,8x38-C-Z-ST	
63	1 603 410 014	Pan head screw	M4x10 MM	
64	1 603 435 042	Plastic-Cutting Screw	St3,9x12	
65	2 912 401 020	Tapping Screw	DIN 7981-3,9x19-C-Z-ST	
66	2 910 211 019	Tapping Screw	DIN 7971-ST3,9x16-F	

Spare parts list

Item	Part Number	Description		
68	1 601 006 011	Sealing Plate		
101	1 601 990 004	Catch Slide		
102	1 604 616 022	Compression Spring		
103	1 602 388 035	Cable routing		
803	1 604 010 BC1	Armature		
804	1 607 000 967	Switch	BLACK	
808	1 601 11A 3H3	Nameplate		
810	1 607 014 171	Carbon-Brush Set		
813	1 600 905 011	groove ball bearing	8x22x7	
814	1 600 905 028	groove ball bearing		
816	1 604 336 048	Brush Holder		
821	1 607 000 C03	Gear Housing		
822	1 607 000 C04	Bearing Flange	Ø180 MM	
826	1 600 A00 3FR	Parts Set		
833	1 600 290 064	Rotary shaft lip seal	16 MM	BLUE
833/1	1 600 290 013	Rotary shaft lip seal	18,7 MM	RED
835	1 600 A00 J93	Fan		
840	1 607 000 354	Push-Button		
846	1 607 000 C3E	Retaining Washer		
848	1 600 119 010	Spring retaining ring		
850	1 600 905 026	groove ball bearing	17x40x12	
851	2 600 910 001	Needle-Roller Bearing	Ø14 MM	
651	1 605 510 216	Protective Cover	Ø 180 MM	
890	1 600 210 039	O-Ring	20,35x1,78 MM	
891	1 602 025 051	Auxiliary Handle	M14	BLACK
891/1	1 602 025 0A1	Auxiliary Handle		
892	1 607 950 061	Pin-Type Face-Wrench		
893	2 605 703 014	Clamping Flange	Ø22,3xØ42 MM	
894	1 603 345 043	Round Nut	M14	
896	1 600 A01 6PP	Fast Locking Flange		

Illustration - Type - E

0 601 853 003 - 065
 Stand } 08-12
 Issue } 14-11-10 **Fig./Abb. 1**

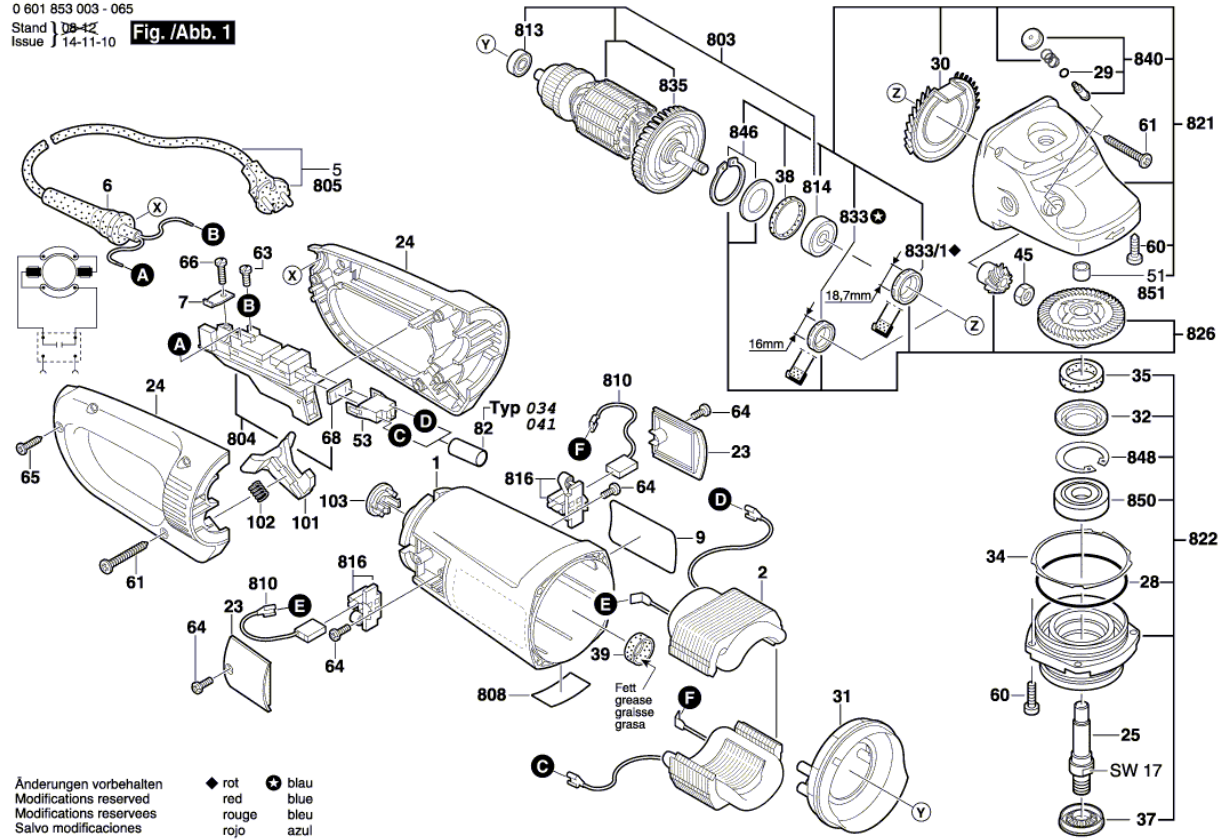
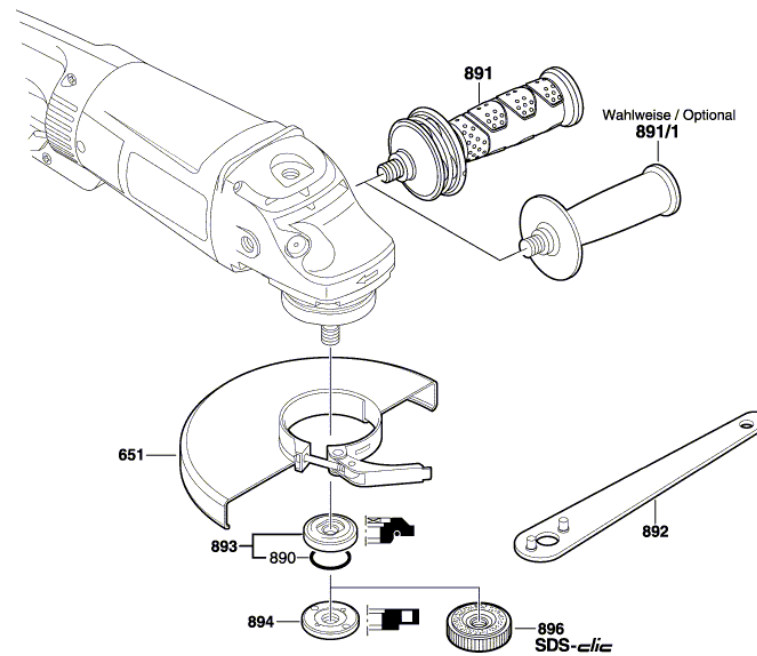


Illustration - Type - E

0 601 853 003 - 065
Stand | 01-8g
Issue | 08-01-17 **Fig. /Abb. 2**



Änderungen vorbehalten
Modifications reserved
Modificaciones reserves
Salvo modificaciones