



BOSCH

Angle Grinder

GWS 22-180 | 3 601 H81 A80

Table of Content

Spare parts list.....	2
Illustration - Type.....	4

Angle Grinder | GWS 22-180 | 3 601 H81 A80

Spare parts list

Item	Part Number	Description
1	1 619 P11 718	Motor Housing
5	1 604 460 255	Power supply cord CN 4,15m 2 x 1,5mm H07 RN-F
6	1 600 703 023	Grommet Ø 10,5-Ø11,0x100 MM
7	1 601 302 018	Fastening Clamp
9	1 619 P31 095	Manufacturer's nameplate
23	1 619 P14 382	Sealing cap
24	1 619 P11 545	Handle
29	1 600 210 045	O-Ring 8,0x1,0 MM
30	1 600 591 029	Air Distributor
31	1 600 591 075	Air-Deflector Ring
33	1 600 290 013	Rotary shaft lip seal 18,7 MM RED
38	1 600 206 020	Rubber Ring 7 MM WIDE
39	1 600 206 030	Rubber Ring
51	2 600 910 001	Needle-Roller Bearing Ø14 MM
53	1 605 190 068	Socket Housing
60	1 603 435 023	Thread-forming tap. Screw TT M5x18 MM
61	2 912 401 038	Tapping Screw DIN 7981-4,8x38-C-Z-ST
62	1 603 435 060	Tapping Screw 4,8x55
63	1 603 410 014	Pan head screw M4x10 MM
64	1 603 435 042	Plastic-Cutting Screw St3,9x12
65	2 912 401 020	Tapping Screw DIN 7981-3,9x19-C-Z-ST
66	2 910 211 019	Tapping Screw DIN 7971-ST3,9x16-F
68	1 601 006 011	Sealing Plate
802	1 619 P08 305	Field 230V
803	1 619 P09 809	Armature 230V
804	1 607 000 967	Switch BLACK
808/1	1 619 P07 528	Nameplate
808/2	1 619 P01 490	Transparent Cover
810	1 607 014 171	Carbon-Brush Set
813	1 600 905 011	groove ball bearing 8x22x7
814	1 600 905 028	groove ball bearing
816	1 604 336 048	Brush Holder
821	1 607 000 C03	Gear Housing
835	1 600 A00 J93	Fan

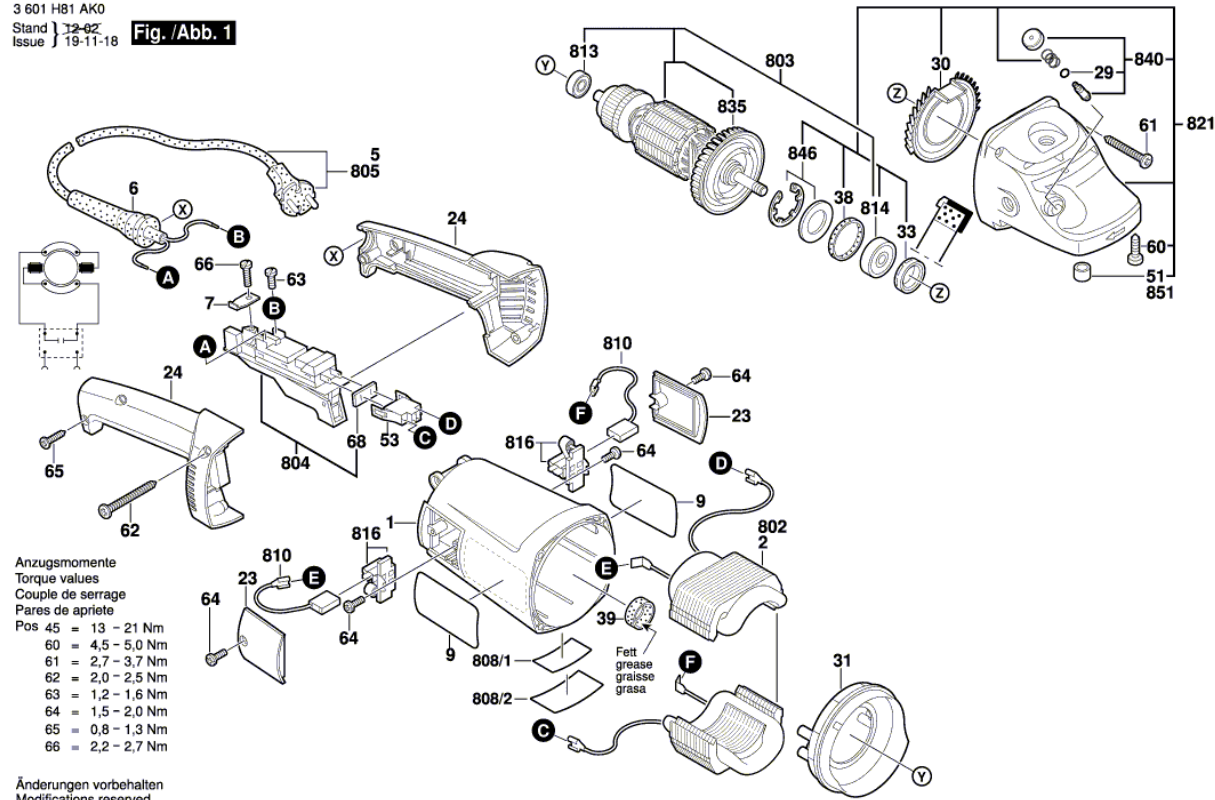
Spare parts list

Item	Part Number	Description		
840	1 607 000 354	Push-Button		
846	1 607 000 342	Retaining Washer		
28	1 600 210 033	O-Ring	79,0x1,78 MM	
32	1 600 290 019	Retaining snap ring		
34	1 600 190 020	Shim	0,15 MM	THICK
34	1 600 190 021	Shim	0,3 MM	THICK
34	1 600 190 022	Shim	0,1 MM	THICK
34	1 600 190 037	Shim	0,2 MM	THICK
34	1 600 190 038	Shim	0,25 MM	THICK
34	1 600 190 039	Shim	0,35 MM	THICK
34	1 600 190 040	Shim	0,4 MM	THICK
35	1 600 205 034	Felt Washer		
37	1 600 290 036	Seal Ring	BLACK	
45	1 603 300 019	Hex Nut	M10, SW14	
69	2 916 650 905	Spring retaining ring		
822	1 619 P15 298	Bearing Flange	Ø180 MM	
822/22/48	1 600 119 010	Spring retaining ring		
822/22/50	1 600 905 026	groove ball bearing	17x40x12	
823	1 619 P15 624	Bearing Flange	Ø180 MM	
825	1 619 P15 297	Grinding Spindle		
826	1 619 P15 405	Bevel Gear Set	Ø180 MM	
882	1 619 P06 597	Stopper		
651	1 600 A00 XL9	Protective Cover	Ø180 MM	
890	1 600 210 039	O-Ring	20,35x1,78 MM	
891	1 619 P09 013	Auxiliary Handle		
891/1	1 602 025 051	Auxiliary Handle	M14	BLACK
892	1 607 950 061	Pin-Type Face-Wrench		
893	2 605 703 014	Clamping Flange	Ø22,3xØ42 MM	
894	1 603 345 043	Round Nut	M14	
896	1 600 A01 6PP	Fast Locking Flange		

Illustration - Type - E

3 601 H81 AKO
 Stand } 12-82
 Issue } 19-11-18

Fig./Abb. 1



- Anzugsmomente
 Torque values
 Couple de serrage
 Pares de apriete
- | | |
|--------|----------------|
| Pos 45 | = 13 - 21 Nm |
| 60 | = 4,5 - 5,0 Nm |
| 61 | = 2,7 - 3,7 Nm |
| 62 | = 2,0 - 2,5 Nm |
| 63 | = 1,2 - 1,6 Nm |
| 64 | = 1,5 - 2,0 Nm |
| 65 | = 0,8 - 1,3 Nm |
| 66 | = 2,2 - 2,7 Nm |

Änderungen vorbehalten
 Modifications reserved
 Modifications reserves
 Salvo modificaciones

Illustration - Type - E

3 601 H81 AK0
 Stand } 19-11
 Issue } 20-03-30

Fig. /Abb. 2

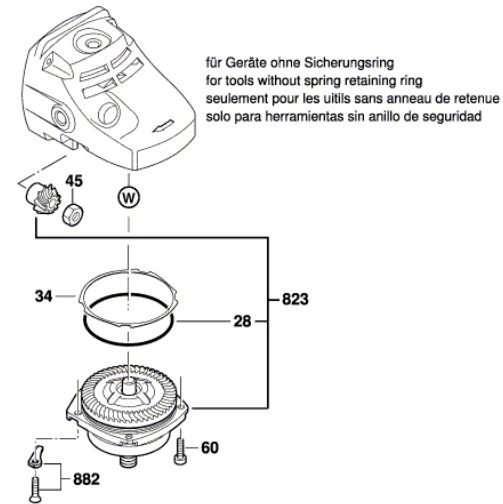
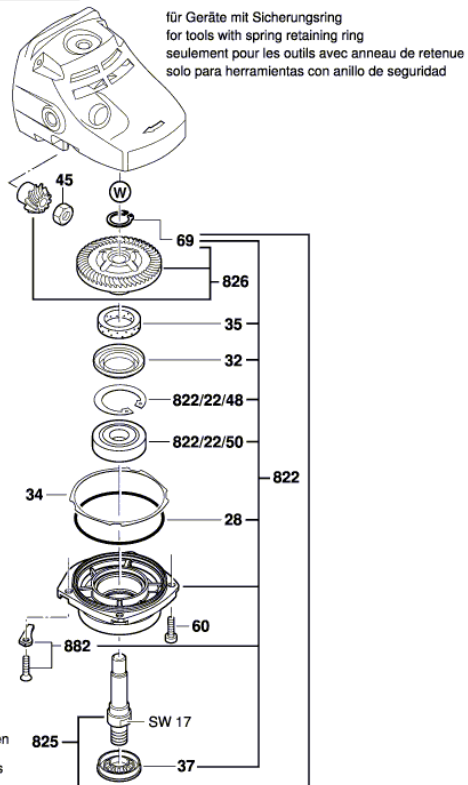
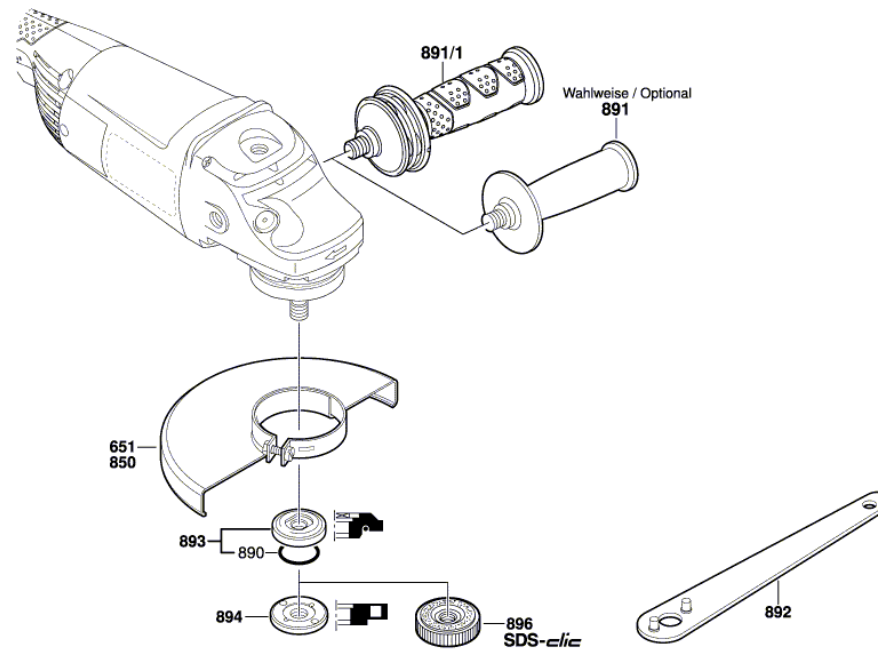


Illustration - Type - E

3 601 H81 AK0
Stand | 10-02
Issue | 19-11-18 **Fig./Abb. 3**



Änderungen vorbehalten
Modifications reserved
Modificaciones reserves
Salvo modificaciones