

Angle Grinder - 3 601 J3A 312 - GWS 18V-50

www.powertools-aftersaleservice.com



BOSCH

Item	Part Number	Description	Illustration	Price	Quantity	Price Group
	1 1 605 108 282	Housing Section BLUE		1	-,-	1 30
	6 1 600 591 046	Air-Deflector Ring		1	-,-	1 13
	9 1 601 118 K85	Manufacturer's nameplate		1	-,-	1 13
	15 1 600 206 025	Rubber Ring		1	-,-	1 12
	17 1 600 A00 1PY	Cover		1	-,-	1 10
	18 1 619 P09 290	Switch Button		1	-,-	1 10
	20 1 602 319 023	Adjusting Slide		1	-,-	1 20
	29 1 619 P02 820	O-Ring 44,0x1,0 MM		1	-,-	1 11
	32 1 603 523 122	Grinding Spindle 5/8"		1	-,-	1 33
	35 1 619 P02 821	Shim 0,1 MM		1	-,-	1 10
	35 1 619 P02 822	Shim 0,2 MM		1	-,-	1 11
	41 1 600 200 029	Plain bearing		1	-,-	1 14
	46 1 609 280 477	Compression Spring		1	-,-	1 11
	51 1 607 233 340	Electronics Module		1	-,-	1 38
51/200	1 609 280 478	Contact retainer		1	-,-	1 26
	52 2 607 202 071	On-Off Switch		1	-,-	1 27
	55 2 603 490 024	Torx Oval-Head Screw 4x25		1	-,-	4 11
	80 3 600 150 021	Sealing disk		1	-,-	1 15
	90 1 603 435 068	Thread-forming tap. Screw DIN 7500, M4x10, SR10.2		1	-,-	4 11
	91 1 603 435 071	Thread-forming tap. Screw		1	-,-	4 10
	97 1 601 118 K86	Warning Plate		1	-,-	1 13
	131 1 619 P01 598	Hex Screw Driver 4x95		2	-,-	1 13
651/1/22	2 601 115 537	Sticker		1	-,-	1 13
	652 2 607 225 927	Charger USA BC 1880 CV 13,3-18V/120V		2	-,-	1 47
	802 1 617 000 6B0	DC motor 18V		1	-,-	1 45
	808 1 601 11A 28M	Nameplate		1	-,-	1 -
	810 1 617 000 6B1	Push Button		1	-,-	1 12
	821 1 617 000 6B2	Gear Housing		1	-,-	1 38
	828 1 617 000 6B3	Bearing Flange		1	-,-	1 24
	838 1 600 A00 M8F	Set Of Gearwheels		1	-,-	1 27
	839 1 600 A00 M8J	Set Of Gearwheels		1	-,-	1 35
	854 1 600 A00 XU7	Protective Cover Ø125 MM SILVER		2	-,-	1 23
	891 1 602 025 027	Auxiliary Handle M10		2	-,-	1 19

Item	Part Number	Description	Illustration	Price	Quantity	Price Group
892	3 603 340 503	Round Nut 5/8"	2	-,-	1	28
893	1 607 950 052	Pin-Type Face-Wrench	2	-,-	1	15
895	1 605 703 140	Clamping-Flange	2	-,-	1	21
895/20	1 600 210 253	O-Ring	2	-,-	1	12

Illustration - Type E

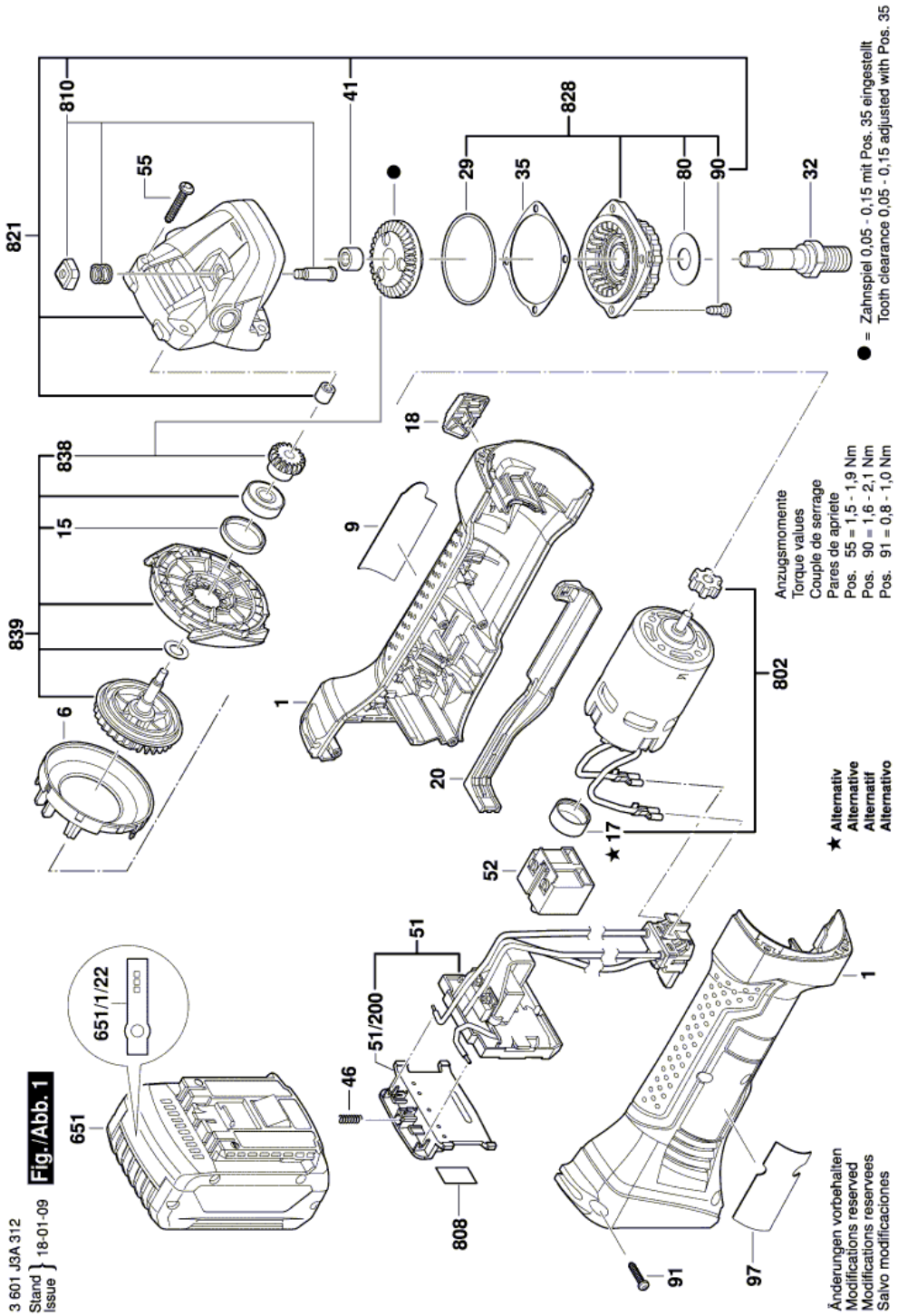
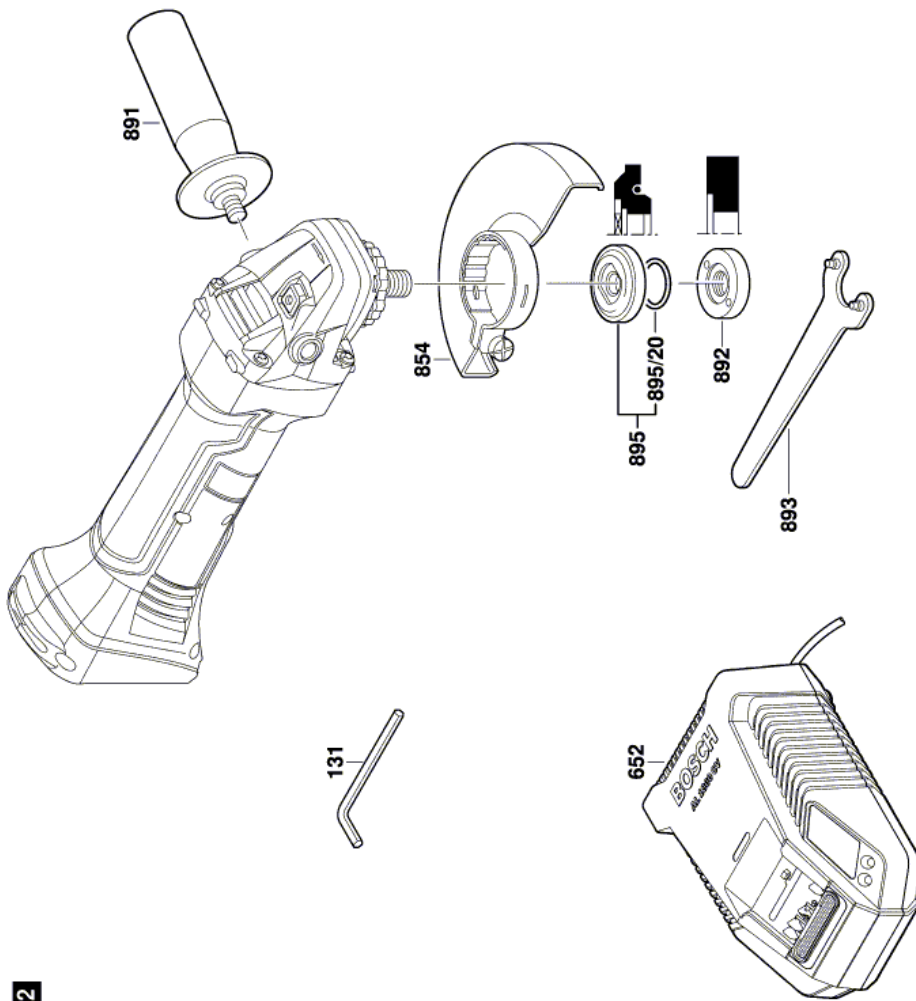


Illustration - Type E



3 601 J3A 312
Stand } 18-01-09
Issue } **Fig./Abb. 2**

Änderungen vorbehalten
Modifications reserved
Modificacions reserveses
Salvo modificaciones

Information subject to change without further notice.