



**BOSCH**

# Cordless Angle Grinder

GWS18V-13C | 3 601 JH6 213

---

## Table of Content

Spare parts list.....	2
Illustration - Type.....	4

# Cordless Angle Grinder | GWS18V-13C | 3 601 JH6 213

## Spare parts list

Item	Part Number	Description	Illustration
1	1 605 108 2JL	Motor Housing	1
2	1 607 022 661	DC motor	1
3	1 600 A02 4C4	Contact Plate	1
4	1 600 A01 6JC	Switch Unit	1
5	1 600 A01 8Z2	Ribbon cable	1
7	1 600 A01 6U4	Cover Ring	1
9	1 601 11C 2SF	Manufacturer's nameplate	1
18	1 600 A01 6PW	Switch Handle	1
19	1 604 612 03M	Compression Spring	1
20	1 600 A01 6PX	Switch Slide	1
33	1 600 210 035	O-Ring 46,0x1,1 MM	1
35	1 600 136 013	Shim 0,1 MM THICK	1
35	1 600 136 014	Shim 0,2 MM THICK	1
35	1 600 136 015	Shim 0,3 MM THICK	1
35	1 600 136 020	Shim 0,15 MM THICK	1
45	1 603 300 016	Hex Nut M7, SW10	1
47	1 609 280 477	Compression Spring	1
49	2 914 491 410	Thread-forming tap. Screw M4x16	1
50	1 603 435 071	Thread-forming tap. Screw	1
53	1 603 435 078	Torx Oval-Head Screw	1
54	1 603 414 026	Torx Oval-Head Screw 4x30	1
55	1 603 430 03T	Screw	1
92	1 600 A01 6ML	Cover Panel	1
94	1 605 500 2FA	Cover	1
95	1 600 A01 9TY	Dust-Protection Cover	1
97	1 601 11C 32V	Warning Plate	1
98	1 601 11C 32T	Warning Plate	1
321/104	1 600 210 044	O-Ring 4,5x1,0 MM BLUE	1
321/41	1 600 200 029	Plain bearing	1
343	1 607 000 742	Catch Lever	1
343/44	1 604 611 042	Compression Spring	1
808	1 601 11A 6BK	Nameplate	1
821	1 607 000 D80	Gear Housing	1
828	1 607 000 D84	Bearing Flange	1
828/04	3 600 210 109	O-Ring 47,0x1,5 MM	1

# Cordless Angle Grinder | GWS18V-13C | 3 601 JH6 213

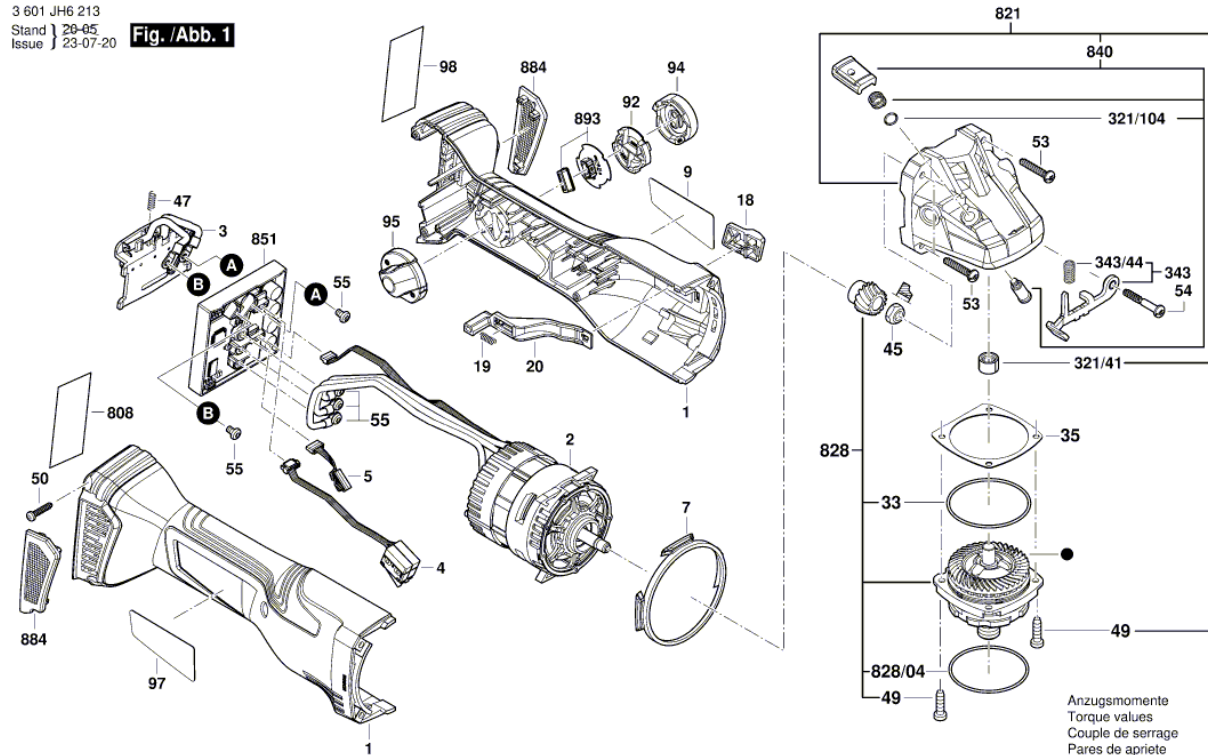
## Spare parts list

Item	Part Number	Description	Illustration
840	1 607 000 V41	Push-Button	1
851	1 607 000 DK6	Electronic Module	1
884	1 607 000 CA9	Filter Unit	1
893	1 607 000 D91	Electronics Module	1
650/1	1 602 025 0A0	Auxiliary Handle	2
650/2	1 600 A01 6DR	Quick Acting Flange	2
650/3	1 607 950 052	Pin-Type Face-Wrench	2
650/5	1 605 703 140	Clamping-Flange	2
650/5/2	1 600 210 055	O-Ring 20,35x1,78 MM	2
651	1 607 000 D8C	Protective Cover	2
653	1 607 A35 0CH	Battery Pack GBA18V80 8.0Ah ProCore SCM	2
653	1 607 A35 0CM	Battery Pack USA GBA18V120	2

Illustration - Type - E

3 601 JH6 213  
 Stand | 20-05  
 Issue | 23-07-20

Fig./Abb. 1



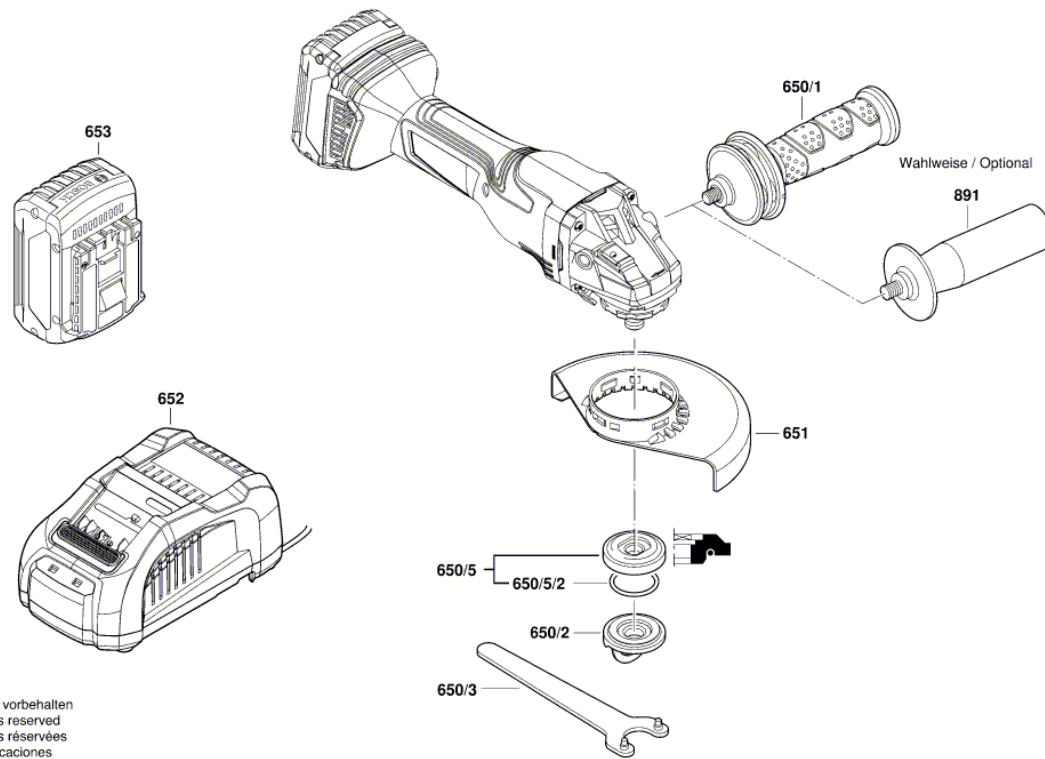
Änderungen vorbehalten  
 Modifications reserved  
 Modifications réservées  
 Salvo modificaciones

● = Zahnspiel 0,05 - 0,20mm mit Pos. 35 eingestellt  
 Tooth clearance 0,05 - 0,20mm adjusted with Pos. 35

Anzugsmomente  
 Torque values  
 Couple de serrage  
 Pares de apriete  
 Pos. 45 = 8,0 - 12 Nm  
 Pos. 49 = 2,6 - 3,5 Nm  
 Pos. 50 = 0,8 - 1,0 Nm  
 Pos. 53 = 1,5 - 1,8 Nm  
 Pos. 54 = 1,5 - 1,8 Nm

Illustration - Type - E

3 601 JH6 213  
Stand } 20-05-13  
Issue } **Fig. /Abb. 2**



Änderungen vorbehalten  
Modifications reserved  
Modifications réservées  
Salvo modificaciones