



BOSCH

Cordless Angle Grinder

GWS 18V-10P | 3 601 JJ4 180

Table of Content

Spare parts list.....	2
Illustration - Type.....	4

Cordless Angle Grinder | GWS 18V-10P | 3 601 JJ4 180

Spare parts list

Item	Part Number	Description
1	1 619 P16 703	Motor Housing
4	2 607 202 328	Switch
5	1 619 P16 641	Fan
6	1 619 P16 509	Air-Deflector Ring
7	1 619 P16 508	Air Distributor
9	1 619 P17 192	Manufacturer's nameplate
12	1 600 A00 RK2	Ferrite
14	1 619 P09 955	groove ball bearing
17	1 600 100 P12	Cover
18	1 600 A00 R9F	Switch-Pawl
27	1 600 206 025	Rubber Ring
28	3 600 210 109	O-Ring 47,0x1,5 MM
33	1 619 P14 427	O-Ring
35	1 600 136 013	Shim 0,1 MM THICK
35	1 600 136 014	Shim 0,2 MM THICK
35	1 600 136 015	Shim 0,3 MM THICK
36	1 610 100 023	Washer
37	1 600 A00 P17	Holder
40	1 600 119 011	Retaining clip
41	1 600 200 029	Plain bearing
44	1 604 611 042	Compression Spring
45	1 619 P17 544	Hex Nut
46	1 609 280 477	Compression Spring
49	2 914 491 410	Thread-forming tap. Screw M4x16
50	2 609 110 201	Torx Flat-Head Screw 3x16
53	1 619 P01 066	Torx Oval-Head Screw 4x25
54	2 603 490 025	Torx Oval-Head Screw 4x30
60	1 600 A00 R9L	Reverse-Transfer Lever
802	1 607 000 CA4	Motor
803	1 607 000 CA5	Bevel Gear Shaft
821	1 607 000 CA6	Gear Housing
828	1 619 P17 886	Bearing Flange
840	1 607 000 V41	Push-Button
843	1 607 000 742	Catch Lever
851	1 619 P15 493	Electronics Module

Cordless Angle Grinder | GWS 18V-10P | 3 601 JJ4 180

Spare parts list

Item	Part Number	Description	
884	1 607 000 CA9	Filter Unit	
651	1 600 A01 2JH	Protective Cover	
653	1 619 P14 737	Round Nut With 2 Holes	
654	1 619 P12 159	Clamping-Flange	Ø22,3xØ42 MM
655	1 602 025 0A0	Auxiliary Handle	
656	2 609 110 015	Pin-Type Face-Wrench	
657	2 607 337 069	Battery Pack	BBS MR, 18V, 5,0 Ah 48 S
657	2 607 337 263	Battery Pack	GBA 18V 6.0 AH
658	2 607 225 937	Charger	CN GAL 1880 CV 220V/14,4-18V
658	2 607 226 267	Fast Charger	CN GAL 18V-40
894	1 615 430 020	Grease Tube	225 ML
895	1 605 430 003	Grease Tube	225 ML

Illustration - Type - E

3 601 JJ4 180
Stand } 22-12-07
Issue } **Fig. /Abb. 1**

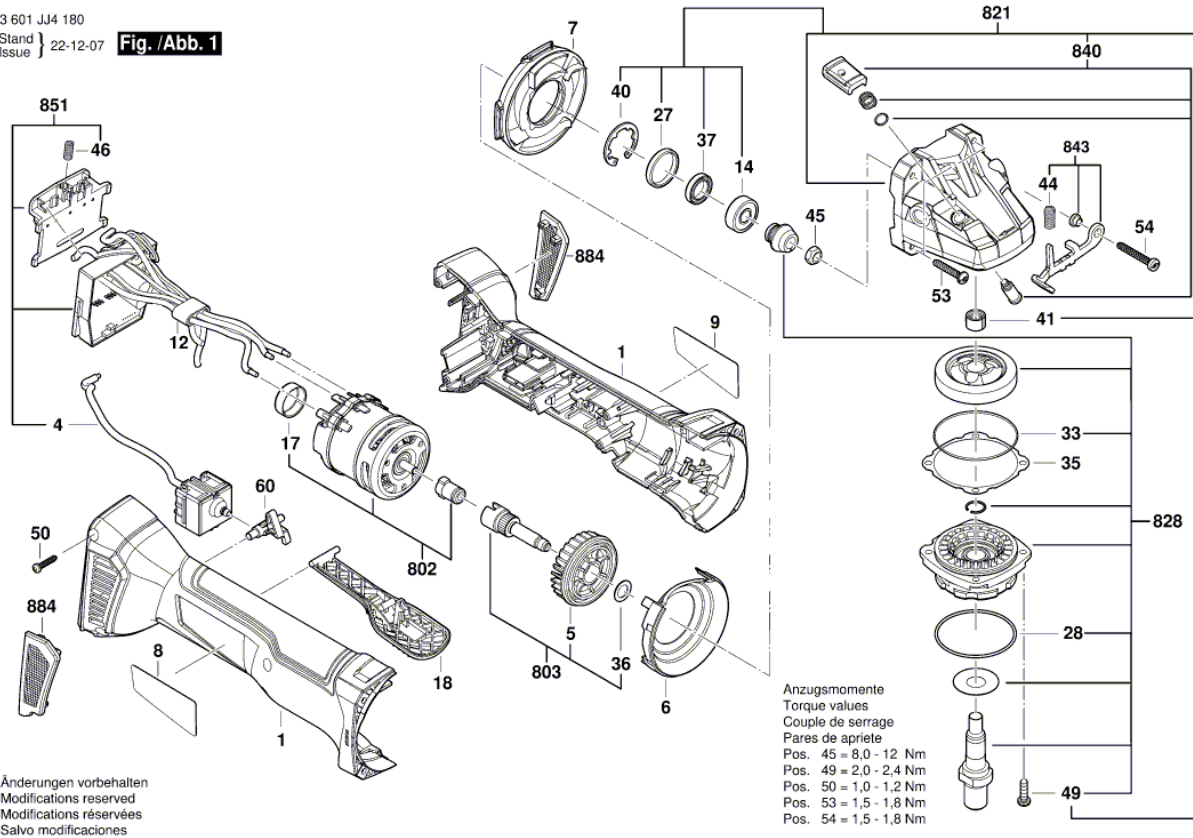
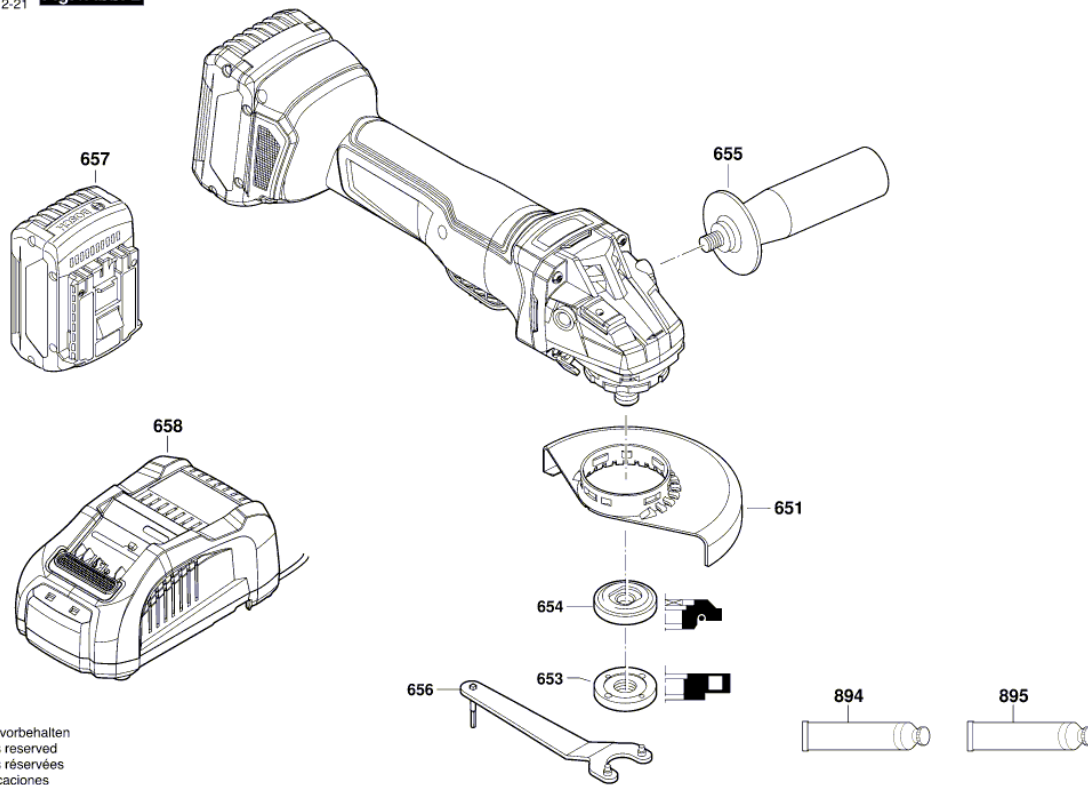


Illustration - Type - E

3 601 JJ4 180
Stand | 22-12-07
Issue | 22-12-21 **Fig. /Abb. 2**



Änderungen vorbehalten
Modifications reserved
Modifications réservées
Salvo modificaciones