



**BOSCH**

# Angle Grinder

GWS 15-150 CIH | 3 601 H30 580

---

## Table of Content

Spare parts list.....	2
Illustration - Type.....	4

# Angle Grinder | GWS 15-150 CIH | 3 601 H30 580

## Spare parts list

Item	Part Number	Description	
2	1 604 220 417	Field	220-240V
7	2 601 035 001	Cable Clip	
9	1 601 11C 0UZ	Manufacturer's nameplate	
13	2 600 905 032	Ball Bearing	7x19x6
22	1 605 500 260	Covering hood	
25	1 605 132 010	Handle Cover	BLUE
26	1 600 206 036	Rubber Ring	
28/32	1 607 000 D6A	Grinding Spindle	
28/80	1 619 P09 390	Cover Disc	
29	1 600 591 025	Air-Deflector Ring	
33	1 600 210 035	O-Ring	46,0x1,1 MM
35	1 600 136 013	Shim	0,1 MM THICK
35	1 600 136 014	Shim	0,2 MM THICK
35	1 600 136 015	Shim	0,3 MM THICK
35	1 600 136 020	Shim	0,15 MM THICK
45	1 603 300 016	Hex Nut	M7, SW10
47	2 603 490 022	Screw	4x16
49	2 914 491 410	Thread-forming tap. Screw	M4x16
50	2 603 490 023	Torx Oval-Head Screw	4x20
53	1 603 435 078	Torx Oval-Head Screw	
54	1 603 414 026	Torx Oval-Head Screw	4x30
108	1 600 A00 XC4	Cover	
109	1 605 500 263	Cover	BLACK
301/1	1 605 108 255	Motor Housing	BLUE
301/16	1 601 323 025	Brush Holder	
301/16/17	1 604 652 013	Spiral Spring	
301/18	1 602 319 024	Adjusting Slide	
301/19	1 604 611 041	Compression Spring	
301/20	3 604 611 039	Compression Spring	
301/48	1 613 435 034	Lens Head Screw	3x10 ST
304/5	1 614 460 088	Power supply cord H07 RN-F	CN 4,15m 2 x 1,0mm
304/56	1 603 415 004	Lens Head Screw	
304/6	1 600 703 040	Grommet	
321/104	1 600 210 044	O-Ring	4,5x1,0 MM BLUE

**Spare parts list**

<b>Item</b>	<b>Part Number</b>	<b>Description</b>
321/14	1 600 905 032	groove ball bearing 8x22x7
321/27	1 600 206 025	Rubber Ring
321/30	1 600 591 014	Air-Deflector Ring
321/37	1 600 290 016	Rotary shaft lip seal
321/40	1 600 119 011	Retaining clip
321/41	1 600 200 029	Plain bearing
343	1 607 000 742	Catch Lever
343/44	1 604 611 042	Compression Spring
803	1 604 010 A53	Armature With Fan 230V
804	1 607 000 A85	On-Off Switch
808	1 601 11A 3H3	Nameplate
810	1 607 014 176	Carbon-Brush Set
813	1 607 000 378	Parts Set
821	1 607 000 D1F	Gear Housing
828	1 607 000 D6D	Bearing Flange
828/04	3 600 210 109	O-Ring 47,0x1,5 MM
831	1 601 290 013	Spring Element
835	1 606 610 132	Fan
838	1 607 000 D4Z	Gear Unit
840	1 603 231 032	Push-Button
851	1 607 233 237	Speed governor
852	1 604 448 025	Connecting Cable
651	1 600 A02 5XT	Protective Cover
890	1 600 210 039	O-Ring 20,35x1,78 MM
891	1 602 025 09T	Auxiliary Handle
891	1 602 025 0A0	Auxiliary Handle
892	1 603 345 043	Round Nut M14
893	1 607 950 052	Pin-Type Face-Wrench
895	2 605 703 014	Clamping Flange Ø22,3xØ42 MM
896	1 600 A01 6PP	Fast Locking Flange

Illustration - Type - E

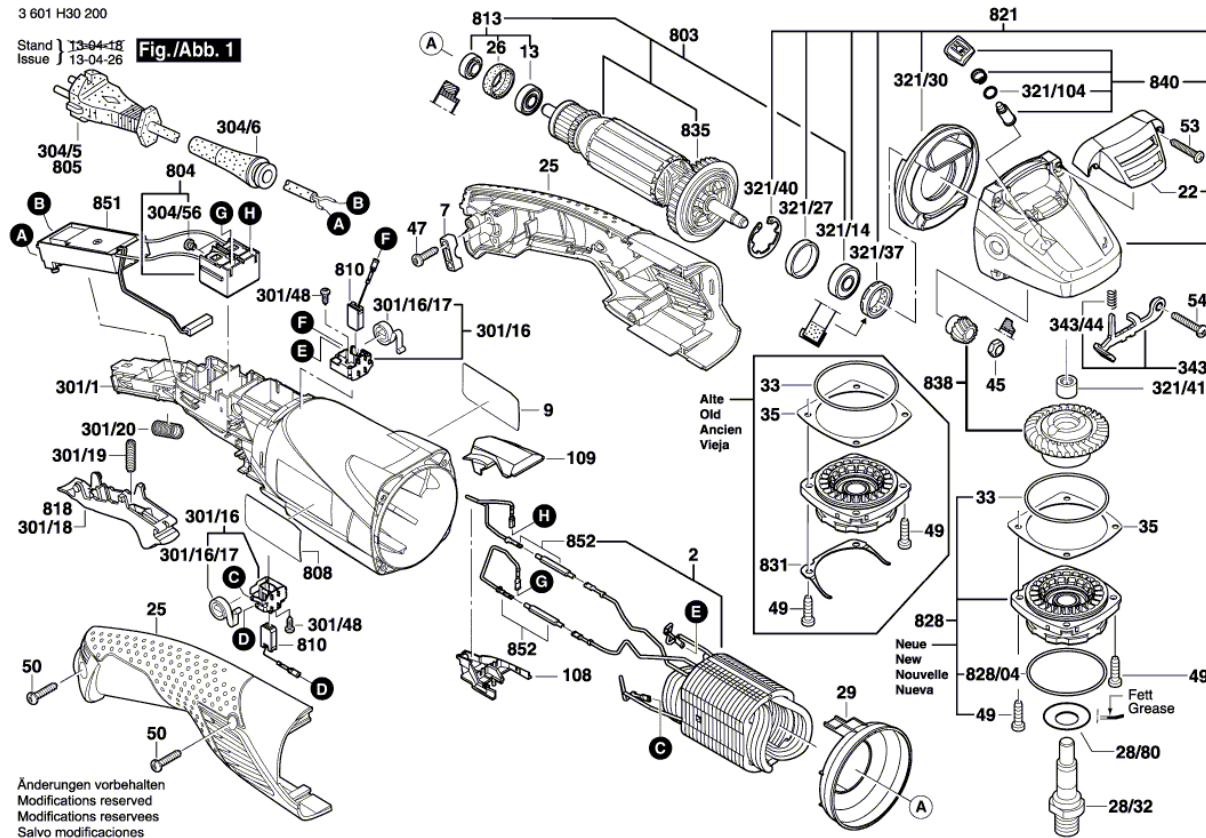
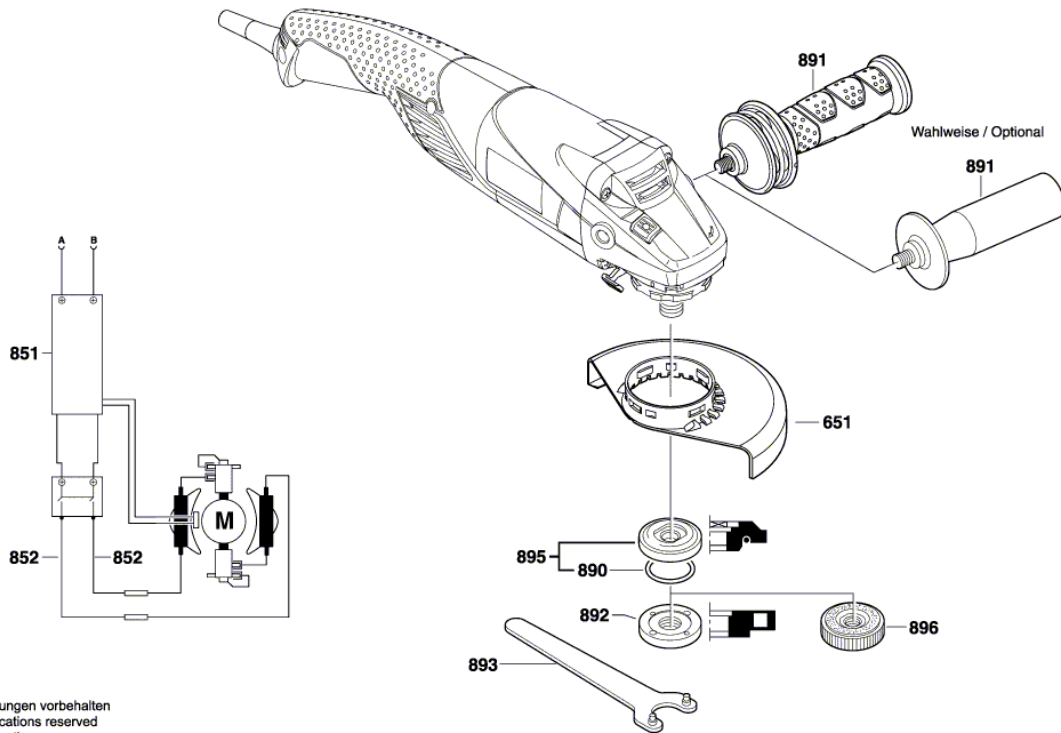


Illustration - Type - E

3 601 H30 200

Stand | 08-06  
Issue | 07-01-19 **Fig./Abb. 2**



Änderungen vorbehalten  
Modifications reserved  
Modifications reserves  
Salvo modificaciones