



BOSCH

Angle Grinder

GWS 13-60 | 3 601 G9K 011

Table of Content

Spare parts list.....	2
Illustration - Type.....	4

Spare parts list

Item	Part Number	Description			Illustration
3/13	2 600 905 032	Ball Bearing	7x19x6		1
4	1 607 200 35A	Switch			1
5	1 604 460 336	Power supply cord x 1,31mm SJ 16/2	USA/CAN/SMA 2,68m 2		1
6	1 600 703 043	Grommet			1
7	1 601 302 017	Fastening Clamp			1
9	1 601 11C 0KJ	Manufacturer's nameplate	GWS 13-60		1
14	1 600 905 032	groove ball bearing	8x22x7		1
24	1 605 500 274	Cover			1
25	1 605 500 276	Housing Cover			1
27	1 600 206 025	Rubber Ring			1
29	1 600 591 047	Air-Deflector Ring			1
30	1 600 591 048	Air Distributor			1
31	1 605 500 277	Brush-Cover			1
33	1 600 210 035	O-Ring	46,0x1,1 MM		1
35	1 600 136 013	Shim	0,1 MM	THICK	1
35	1 600 136 014	Shim	0,2 MM	THICK	1
35	1 600 136 015	Shim	0,3 MM	THICK	1
35	1 600 136 020	Shim	0,15 MM	THICK	1
37	1 600 290 016	Rotary shaft lip seal			1
40	1 600 119 011	Retaining clip			1
41	1 600 200 029	Plain bearing			1
45	1 603 300 016	Hex Nut	M7, SW10		1
49	1 603 435 08X	Thread-forming tap. Screw	M4x16-St w/ Precote 85-3		1
50	1 603 435 078	Torx Oval-Head Screw			1
54	1 603 414 026	Torx Oval-Head Screw	4x30		1
55	2 603 490 021	Torx Oval-Head Screw	4x12		1
97	1 601 11C 0PA	Warning Plate			1
108	1 600 712 030	Insulating Part			1
301/17	1 604 652 021	Spiral Spring			1
301/18	1 602 026 091	Switch Handle			1
301/19	1 604 611 031	Compression Spring			1
301/20	1 602 319 026	Adjusting Slide			1
301/48	1 613 435 034	Lens Head Screw	3x10 ST		1
302/104	1 600 210 044	O-Ring	4,5x1,0 MM	BLUE	1

Spare parts list

Item	Part Number	Description	Illustration
343	1 607 000 742	Catch Lever	1
343/44	1 604 611 042	Compression Spring	1
801	1 607 000 CY2	Motor Housing	1
802	1 604 220 533	Field assembly 127V	1
803	1 607 000 V66	Armature 120V	1
809	1 607 000 D9C	Seal	1
810	1 607 000 V61	Carbon-Brush Set	1
813	1 607 000 V38	groove ball bearing	1
816	1 607 000 V43	Brush Holder	1
818	1 607 000 V42	Pan head screw	1
821	1 607 000 V40	Gear Housing	1
828	1 607 000 D66	Bearing Flange	1
828/04	3 600 210 109	O-Ring 47,0x1,5 MM	1
835	1 606 610 132	Fan	1
840	1 607 000 V41	Push-Button	1
851	1 607 233 478	Speed governor	1
650/1	1 602 025 0A0	Auxiliary Handle	2
650/2	1 605 703 140	Clamping-Flange	2
650/2/2	1 600 210 253	O-Ring	2
650/3	1 607 950 052	Pin-Type Face-Wrench	2
650/5	3 603 340 503	Round Nut 5/8"	2
651	1 600 A00 XL6	Protective Cover	2
652	1 605 510 382	Protective Cover Ø 150 MM	2
891	1 602 025 027	Auxiliary Handle M10	2

Illustration - Type - E

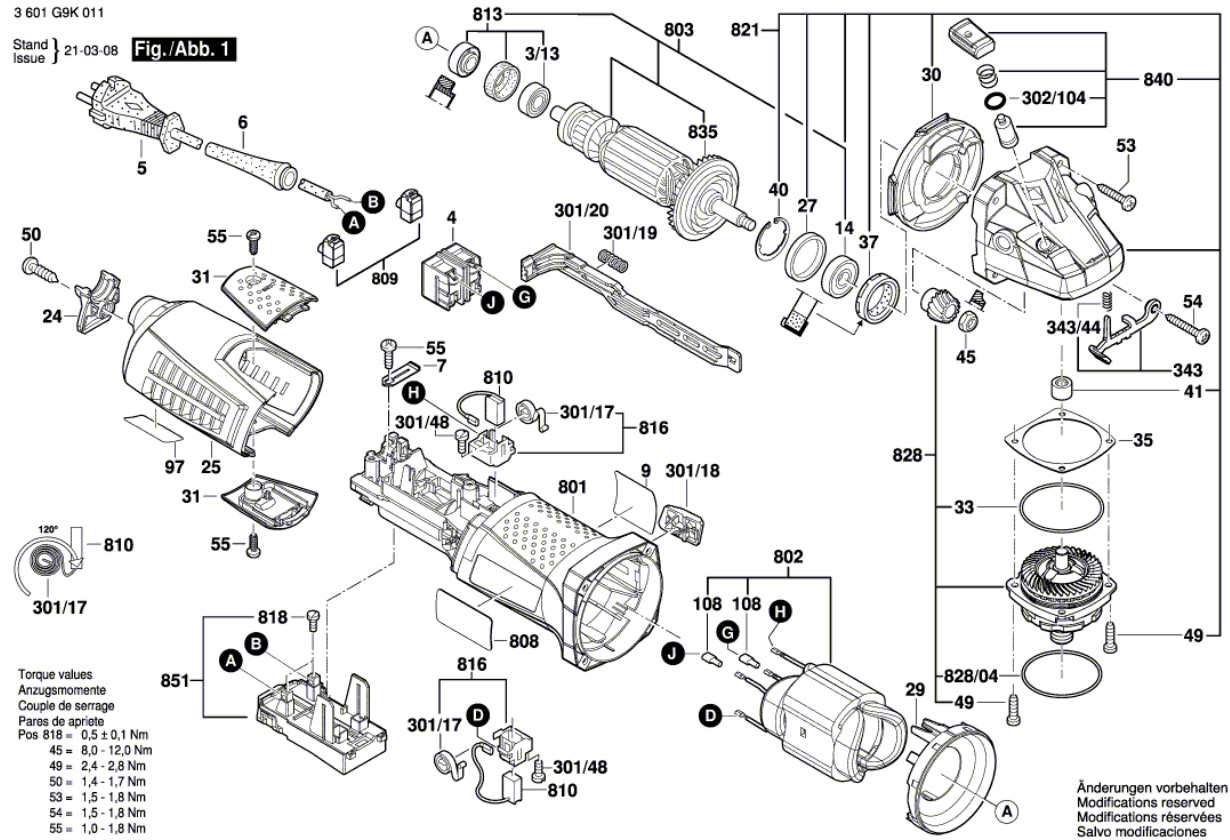
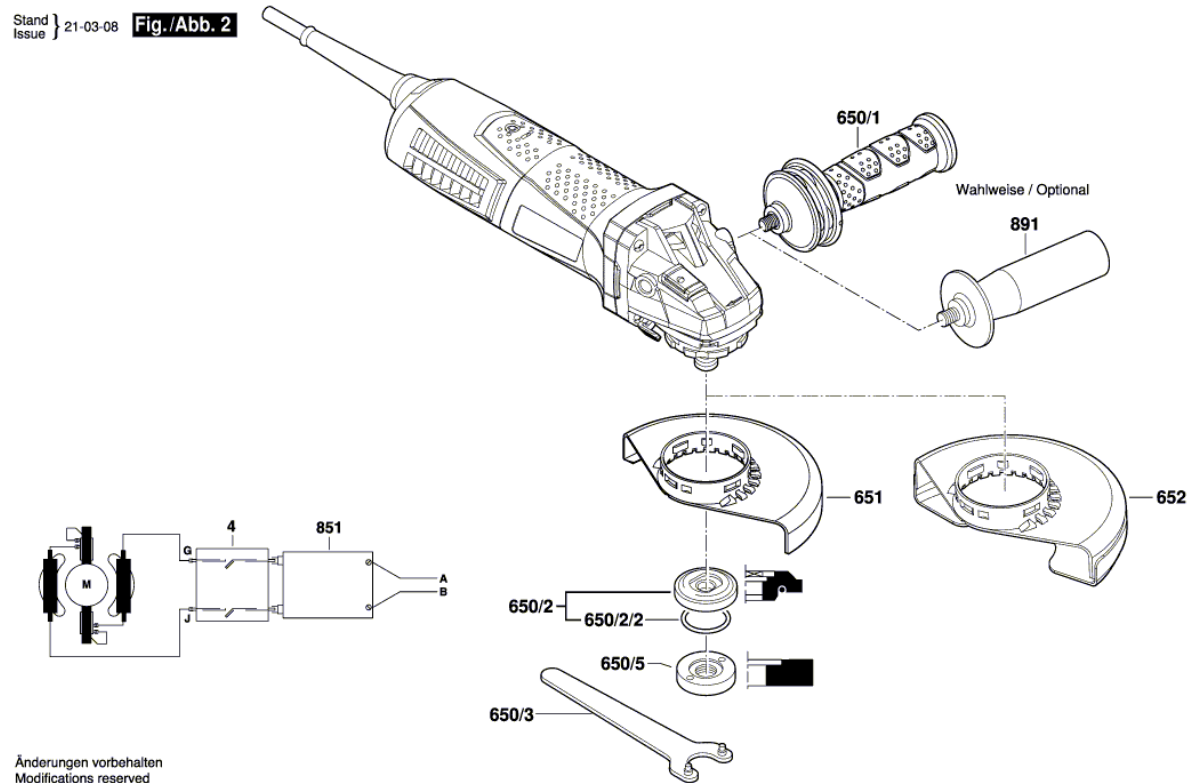


Illustration - Type - E

3 601 G9K 011

Stand } 21-03-08 **Fig./Abb. 2**



Änderungen vorbehalten
 Modifications reserved
 Modifications réservées
 Salvo modificaciones