



BOSCH

Angle Grinder

GWS 13-50 VSP | 3 601 G9H 411

Table of Content

Spare parts list.....	2
Illustration - Type.....	4

Angle Grinder | GWS 13-50 VSP | 3 601 G9H 411

Spare parts list

Item	Part Number	Description	Illustration
2	1 604 220 479	Field 110-127V	1
3/13	2 600 905 032	Ball Bearing 7x19x6	1
4	1 607 200 35A	Switch	1
5	1 604 460 336	Power supply cord x 1,31mm SJ 16/2 USA/CAN/SMA 2,68m 2	1
6	1 600 703 043	Grommet	1
7	1 601 302 017	Fastening Clamp	1
9	1 601 11C 0KH	Manufacturer's nameplate GWS 13-50	1
14	1 600 905 032	groove ball bearing 8x22x7	1
25	1 605 108 292	Housing Section	1
27	1 600 206 025	Rubber Ring	1
29	1 600 591 047	Air-Deflector Ring	1
30	1 600 591 048	Air Distributor	1
33	1 600 210 035	O-Ring 46,0x1,1 MM	1
35	1 600 136 013	Shim 0,1 MM THICK	1
35	1 600 136 014	Shim 0,2 MM THICK	1
35	1 600 136 015	Shim 0,3 MM THICK	1
35	1 600 136 020	Shim 0,15 MM THICK	1
37	1 600 290 016	Rotary shaft lip seal	1
40	1 600 119 011	Retaining clip	1
41	1 600 200 029	Plain bearing	1
45	1 603 300 016	Hex Nut M7, SW10	1
49	1 603 435 08X	Thread-forming tap. Screw M4x16-St w/ Precote 85-3	1
53	1 603 435 078	Torx Oval-Head Screw	1
54	1 603 414 026	Torx Oval-Head Screw 4x30	1
55	2 603 490 021	Torx Oval-Head Screw 4x12	1
58	1 604 617 012	Compression Spring	1
59	1 602 002 015	Locking Lever	1
60	1 602 026 095	Reverse-Transfer Lever	1
61	1 600 A00 X5A	Straight Pin	1
301/17	1 604 652 021	Spiral Spring	1
301/48	1 613 435 034	Lens Head Screw 3x10 ST	1
302/104	1 600 210 044	O-Ring 4,5x1,0 MM BLUE	1
343	1 607 000 742	Catch Lever	1
343/44	1 604 611 042	Compression Spring	1

Spare parts list

Item	Part Number	Description	Illustration
801	1 607 000 D99	Motor Housing	1
803	1 607 000 V65	Armature 120V	1
810	1 607 000 V61	Carbon-Brush Set	1
813	1 607 000 V38	groove ball bearing	1
816	1 607 000 V43	Brush Holder	1
818	1 607 000 505	Switch-Pawl	1
821	1 607 000 V40	Gear Housing	1
828	1 607 000 D65	Bearing Flange	1
828/04	3 600 210 109	O-Ring 47,0x1,5 MM	1
835	1 606 610 132	Fan	1
840	1 607 000 V41	Push-Button	1
851	1 607 233 5DN	Speed governor	1
852	1 607 000 V42	Pan head screw	1
650/1	1 602 025 0A0	Auxiliary Handle	2
650/2	1 605 703 140	Clamping-Flange	2
650/2/2	1 600 210 253	O-Ring	2
650/3	1 607 950 052	Pin-Type Face-Wrench	2
650/5	3 603 340 503	Round Nut 5/8"	2
651	1 600 A00 XL5	Protective Cover	2

Illustration - Type - E

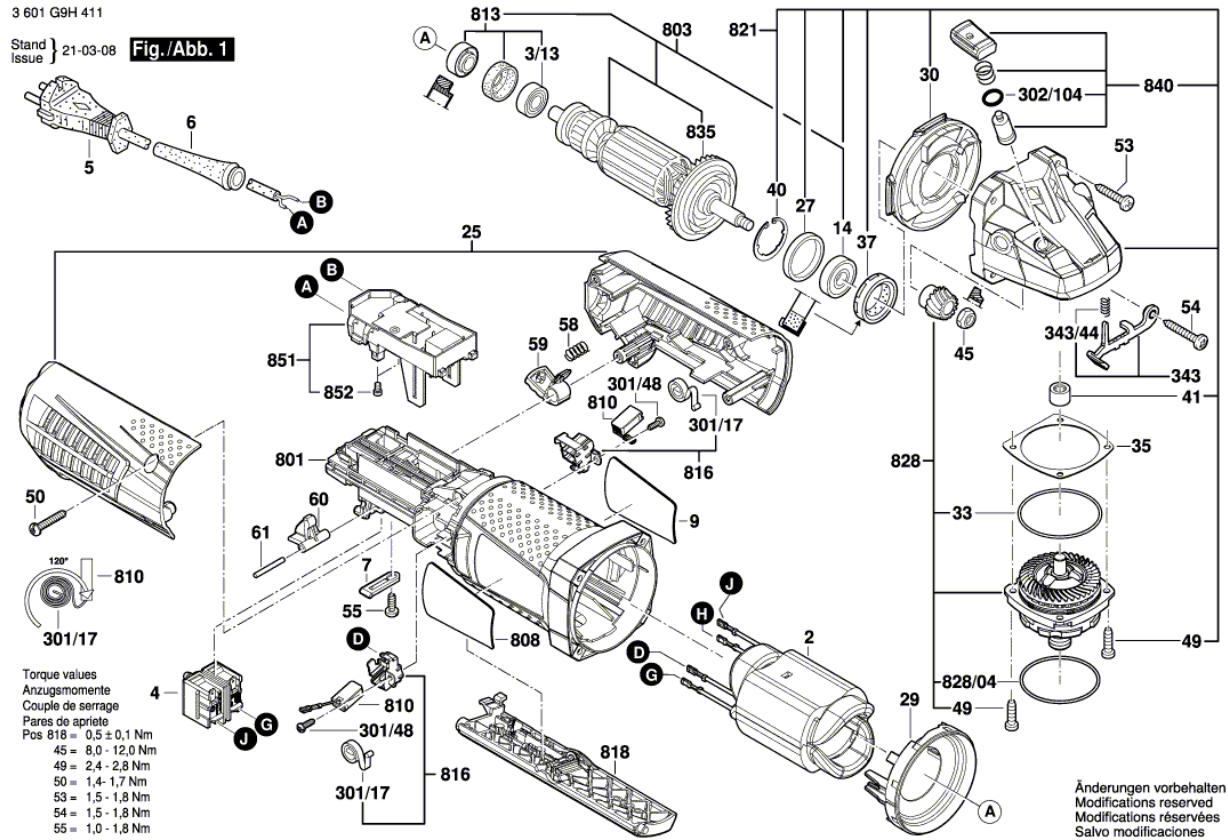
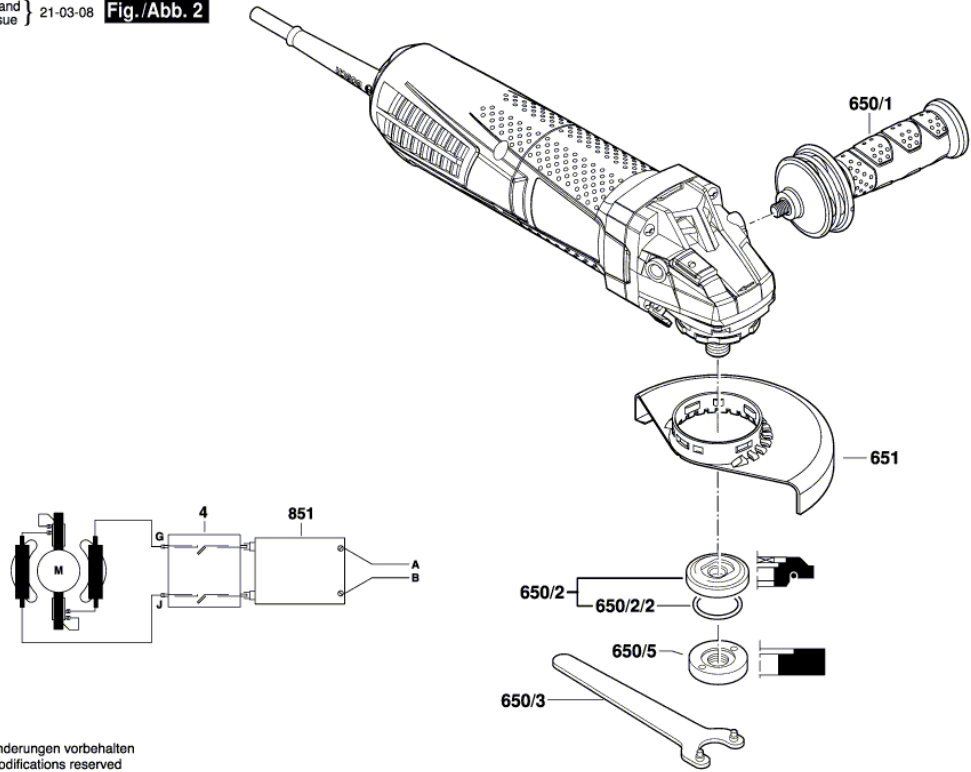


Illustration - Type - E

3 601 G9H 411

Stand } 21-03-08 **Fig./Abb. 2**
Issue }



Änderungen vorbehalten
Modifications reserved
Modifications réservées
Salvo modificaciones