



**BOSCH**

# Cordless Angle Grinder

GWS 12V-76 | 3 601 JF2 0K0

---

## Table of Content

Spare parts list.....	2
Illustration - Type.....	3

**Spare parts list**

<b>Item</b>	<b>Part Number</b>	<b>Description</b>
1	1 605 806 58F	Housing
2	1 605 108 2BZ	Motor Housing
4	1 607 233 5A2	Electronic Module
9	1 601 11C 1KU	Manufacturer's nameplate
18/1	1 600 A00 78U	Switch Unit
18/2	1 600 A00 4HA	Spring
41	1 600 A00 4HJ	Stopping Device
42	1 600 A00 4HD	Wave spring
43	1 600 A00 4HH	Retaining Stirrup
50	2 609 110 361	Screw
61	1 600 A00 4HM	Protective Cover
62	1 600 A00 4HE	Pressure plate
70	2 609 110 537	Clip
95	1 601 11C 0WW	Sticker
803	1 600 A00 DC1	Motor Spare Parts Set
808	1 601 11A 71H	Nameplate
99	1 600 A00 B91	Clamping Nut
651	1 600 A00 4LC	Protective Cover
653	2 607 226 105	Fast Charger GB GAL 1230 CV 230/12V
852	1 619 P11 420	Hexagon Socket Wrench

Illustration - Type - E

3 601 JF2 000  
 Stand } 15-08  
 Issue } 19-12-12

Fig. /Abb. 1

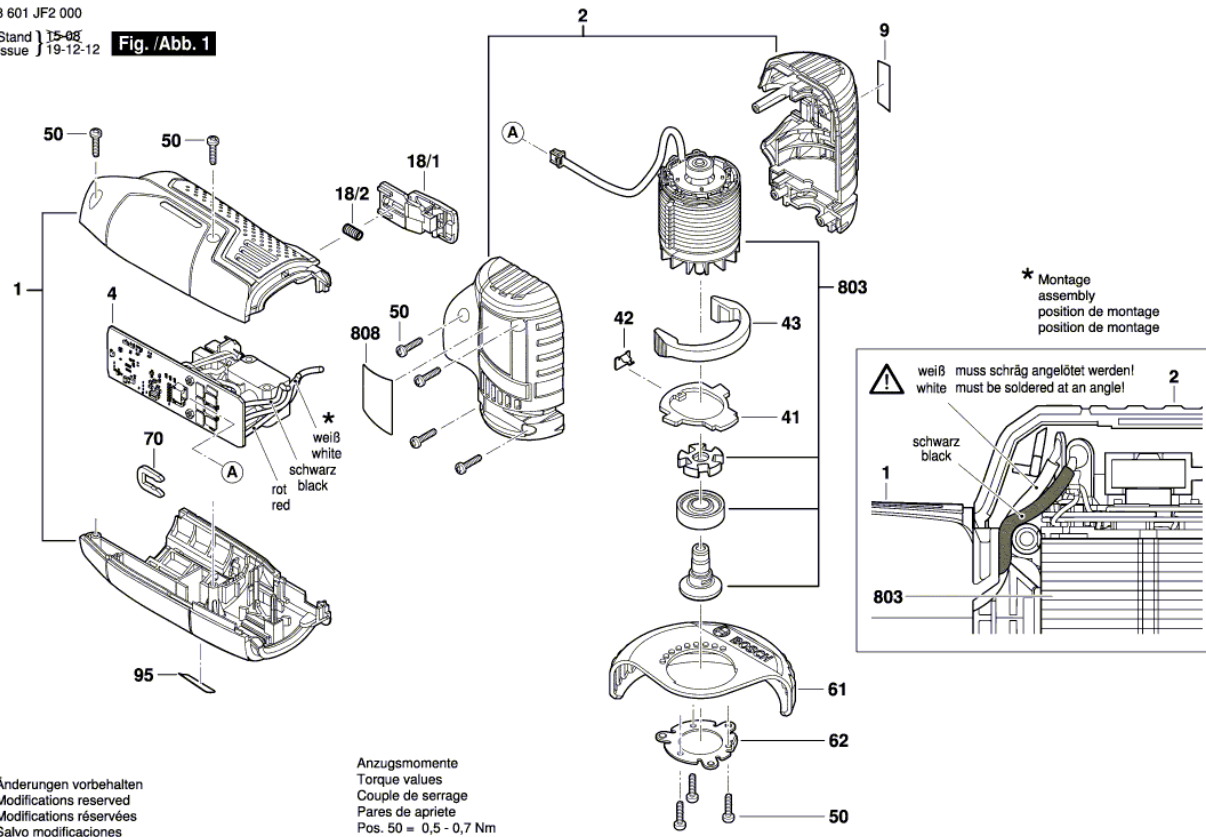
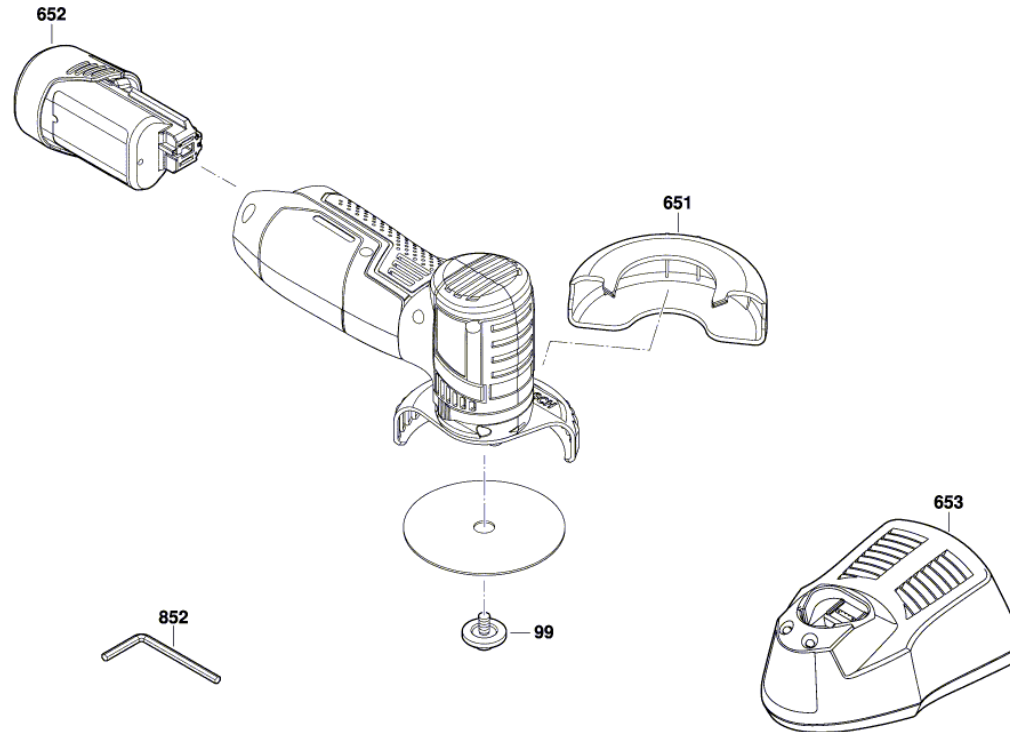


Illustration - Type - E

3 601 JF2 000  
Stand | 15-12  
Issue | 16-06-17

Fig. /Abb. 2



Änderungen vorbehalten  
Modifications reserved  
Modifications réservées  
Salvo modificaciones