



BOSCH

Cordless Angle Grinder

GWS12V-30 | 3 601 JF2 010

Table of Content

Spare parts list.....	2
Illustration - Type.....	3

Spare parts list

Item	Part Number	Description	Illustration
1	1 605 806 58F	Housing	1
2	1 605 108 2BZ	Motor Housing	1
4	1 607 233 5A2	Electronic Module	1
9	1 601 11C 4FV	Manufacturer's nameplate	1
18/1	1 600 A00 78U	Switch Unit	1
18/2	1 600 A00 4HA	Spring	1
41	1 600 A00 4HJ	Stopping Device	1
42	1 600 A00 4HD	Wave spring	1
43	1 600 A00 4HH	Retaining Stirrup	1
50	2 609 110 361	Screw	1
61	1 600 A00 ZY1	Protective Cover	1
62	1 600 A00 4HE	Pressure plate	1
70	2 609 110 537	Clip	1
95	1 601 11C 0WW	Sticker	1
97	1 601 11C 48P	Warning Plate	1
98	1 601 116 49A	Supplementary Plate	1
803	1 607 000 E6Z	Motor Spare Parts Set	1
808	1 601 11A 8P0	Nameplate	1
99	1 600 A00 B91	Clamping Nut	2
852	1 619 P11 420	Hexagon Socket Wrench	2

Illustration - Type - E

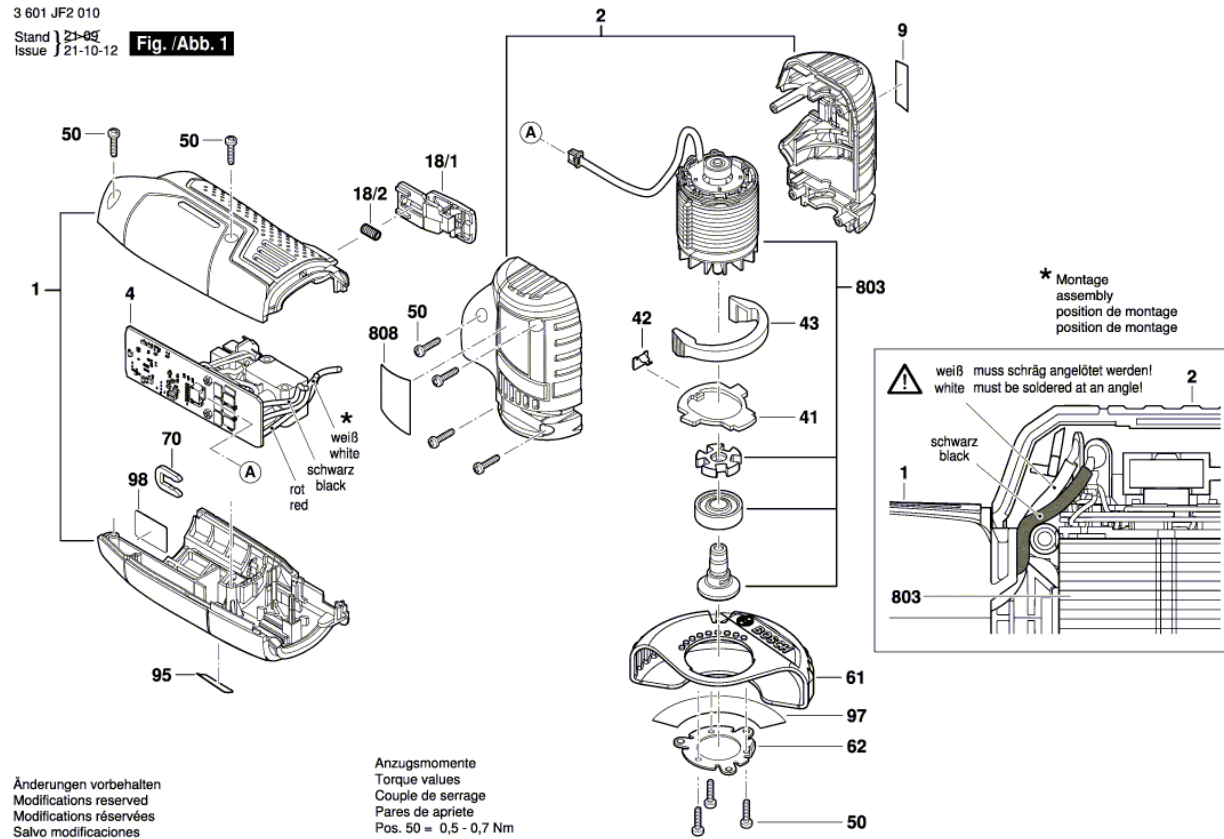
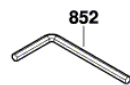
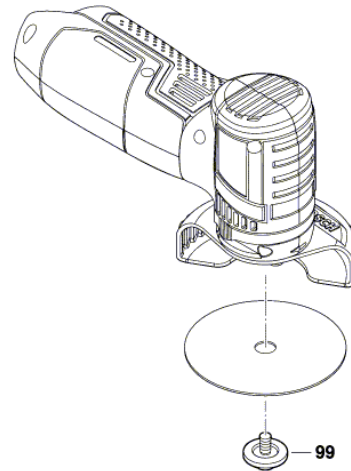


Illustration - Type - E

3 601 JF2 010

Stand } 21-09-22 **Fig. /Abb. 2**
Issue }



Änderungen vorbehalten
Modifications reserved
Modifications réservées
Salvo modificaciones