

Illustration - Type E

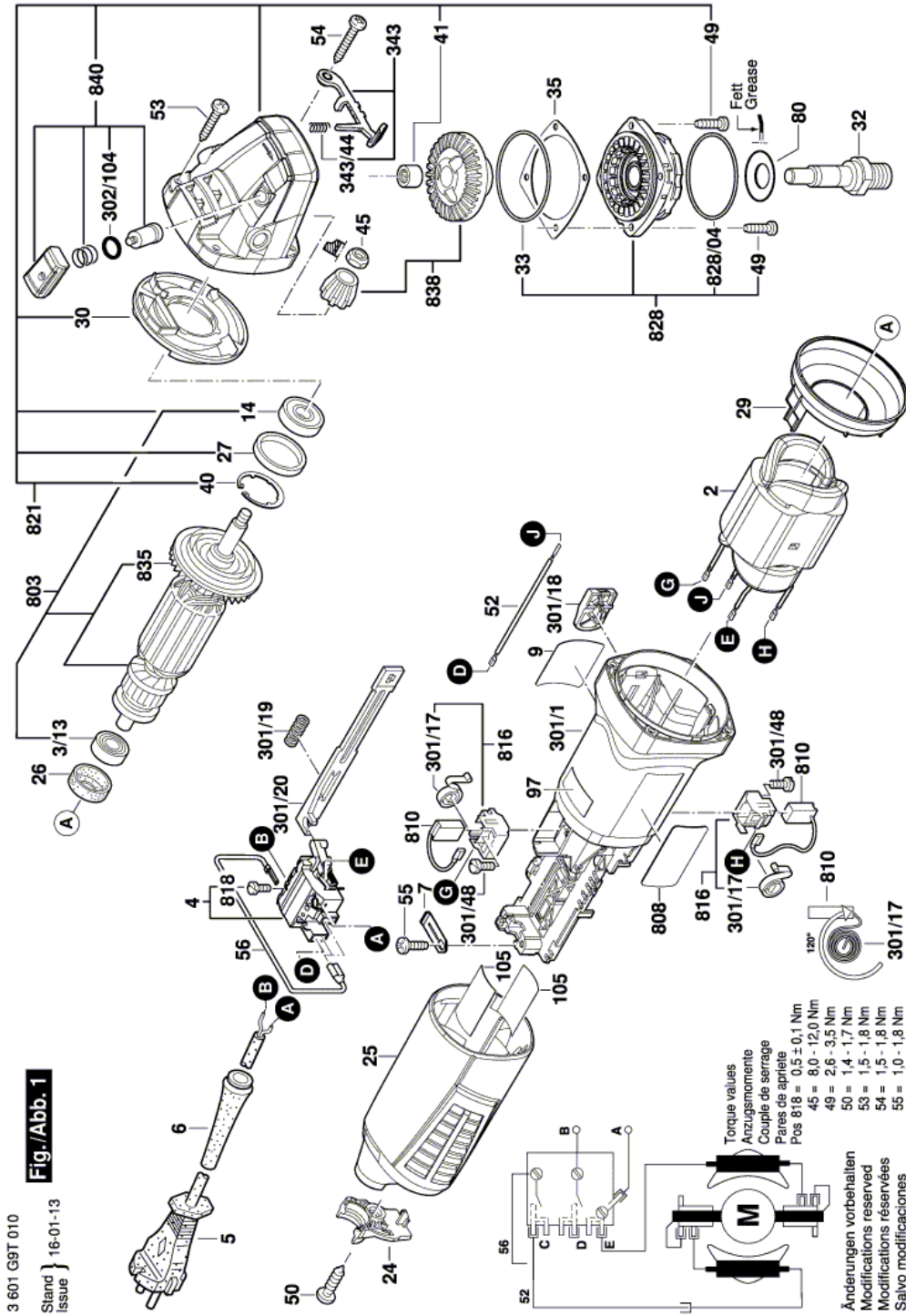
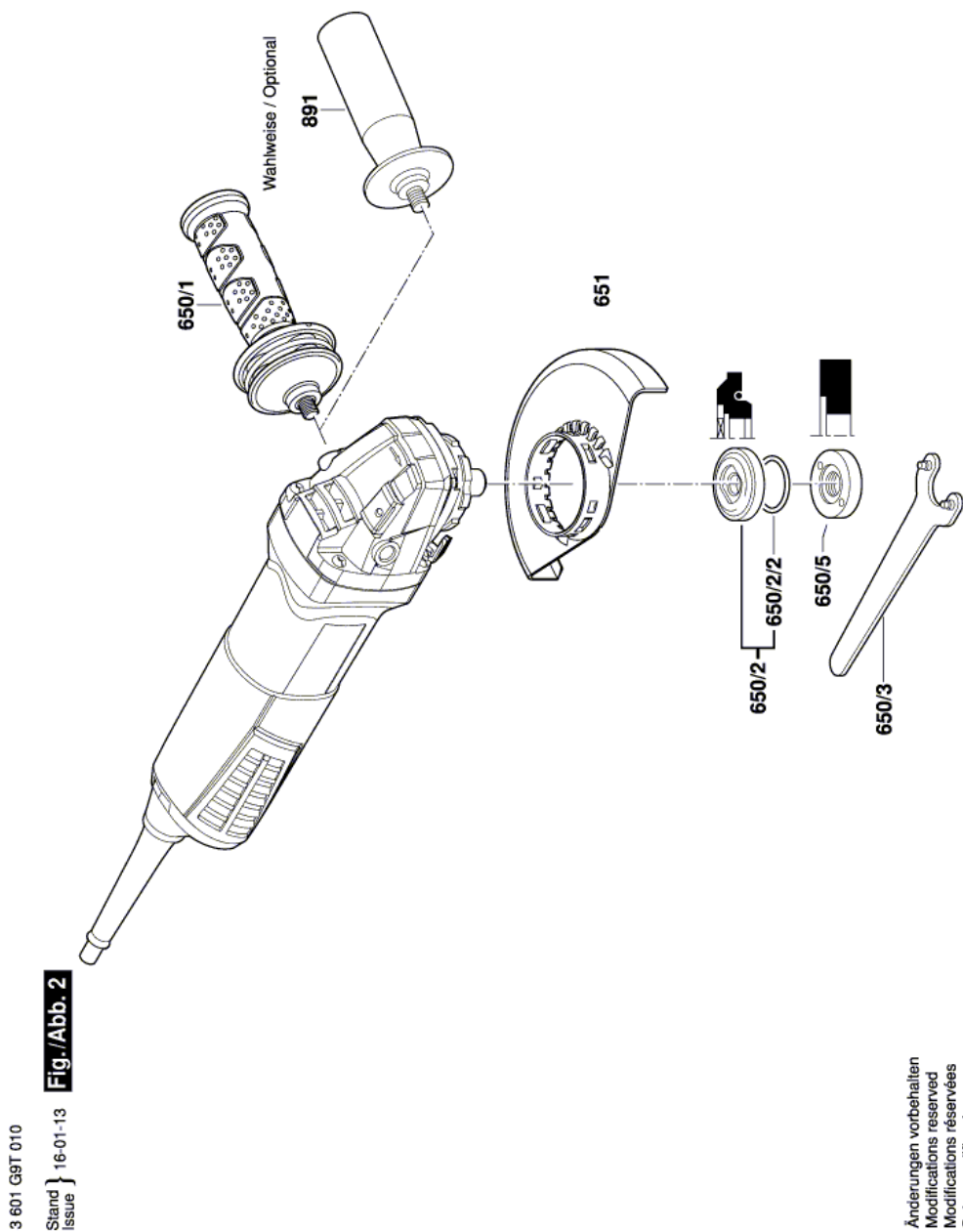


Illustration - Type E



Information subject to change without further notice.

Angle Grinder - 3 601 G9T 010 - GWS 10-45

www.powertools-aftersaleservice.com



BOSCH

Item	Part Number	Description	Illustration	Price	Quantity	Price Group
	2 1 604 220 473	Field 127V	1	-,-	1	33
3/13	2 600 905 032	groove ball bearing 7x19x6	1	-,-	1	17
	4 1 607 200 141	Switch	1	-,-	1	23
	5 1 604 460 336	Power supply cord USA/CAN/SMA 2,68m 2 x 1,31mm SJ 16/2	1	-,-	1	26
	6 1 600 703 043	Grommet	1	-,-	1	13
	7 1 601 302 017	Fastening Clamp	1	-,-	1	10
	9 1 601 11C 0KA	Manufacturer's nameplate GWS 10-45	1	-,-	1	-
	14 1 600 905 032	groove ball bearing 8x22x7	1	-,-	1	18
	24 1 605 500 279	Cover	1	-,-	1	14
	25 1 605 500 278	Housing Cover	1	-,-	1	21
	26 1 600 206 036	Rubber Ring	1	-,-	1	11
	27 1 600 206 025	Rubber Ring	1	-,-	1	12
	29 1 600 591 025	Air-Deflector Ring	1	-,-	1	13
	30 1 600 591 050	Air Distributor	1	-,-	1	13
	32 1 603 523 122	Grinding Spindle 5/8"	1	-,-	1	33
	33 1 600 210 035	O-Ring 46,0x1,1 MM	1	-,-	1	11
	35 1 600 136 013	Shim 0,1 MM THICK	1	-,-	1	13
	35 1 600 136 020	Shim 0,15 MM THICK	1	-,-	1	13
	35 1 600 136 014	Shim 0,2 MM THICK	1	-,-	1	13
	35 1 600 136 015	Shim 0,3 MM THICK	1	-,-	1	13
	40 1 600 119 011	Spring retaining ring	1	-,-	1	11
	41 1 600 200 029	Plain bearing	1	-,-	1	14
	45 1 603 300 016	Hex Nut M7, SW10	1	-,-	1	11
	49 2 914 491 410	Thread-forming tap. Screw M4x16	1	-,-	4	10
	50 2 603 490 023	Torx Oval-Head Screw 4x20	1	-,-	1	10
	52 1 604 448 013	Connecting Cable L=90 MM WHITE	1	-,-	1	13
	53 1 603 435 078	Torx Oval-Head Screw	1	-,-	3	10
	54 1 603 414 026	Torx Oval-Head Screw 4x30	1	-,-	1	10
	55 2 603 490 021	Torx Oval-Head Screw 4x12	1	-,-	1	10
	56 1 604 438 026	Connecting Cable	1	-,-	1	14
	80 3 600 150 021	Sealing disk	1	-,-	1	13
	97 1 601 118 L49	Warning Plate	1	-,-	1	13
	105 1 601 008 005	Insulating Plate	1	-,-	2	14

Item	Part Number	Description	Illustration	Price	Quantity	Price Group
301/1	1 605 108 288	Motor Housing	1	-,-	1	24
301/17	1 604 652 021	Spiral Spring	1	-,-	2	10
301/18	1 602 026 088	Switch Handle	1	-,-	1	10
301/19	1 604 611 026	Compression Spring	1	-,-	1	10
301/20	1 602 319 011	Adjusting Slide	1	-,-	1	11
301/48	1 613 435 034	Lens Head Screw 3x10 ST	1	-,-	2	10
302/104	1 600 210 044	O-Ring 4,5x1,0 MM BLUE	1	-,-	1	10
343	1 607 000 742	Catch Lever	1	-,-	1	20
343/44	1 604 611 042	Compression Spring	1	-,-	1	10
650/1	1 602 025 052	Auxiliary Handle M10 ANTI-VIBRATION	2	-,-	1	31
650/2	1 605 703 140	Clamping-Flange	2	-,-	1	21
650/2/2	1 600 210 253	O-Ring	2	-,-	1	12
650/3	1 607 950 052	Pin-Type Face-Wrench	2	-,-	1	15
650/5	3 603 340 503	Round Nut 5/8"	2	-,-	1	28
651	1 605 510 377	Protective Cover Ø115 MM	2	-,-	1	28
803	1 607 000 V52	Armature With Fan 110V	1	-,-	1	41
808	1 601 11A 20T	Nameplate	1	-,-	1	-
810	1 607 000 V53	Carbon-Brush Set	1	-,-	1	25
816	1 607 000 V54	Brush Holder	1	-,-	1	15
818	2 910 110 048	Pan head screw DIN 85-AM3x6-CUZN	1	-,-	1	10
821	1 607 000 V55	Gear Housing	1	-,-	1	34
828	1 607 000 448	Bearing Flange	1	-,-	1	26
828/04	3 600 210 109	O-Ring 47,0x1,5 MM	1	-,-	1	11
835	1 606 610 132	Fan	1	-,-	1	12
838	1 607 000 V44	Set Of Gearwheels	1	-,-	1	31
840	1 607 000 V41	Push-Button	1	-,-	1	16
891	1 602 025 027	Auxiliary Handle M10	2	-,-	1	19