



BOSCH

Angle Grinder

GWS 10-125 | 3 601 H21 080

Table of Content

Spare parts list.....	2
Illustration - Type.....	4

Angle Grinder | GWS 10-125 | 3 601 H21 080

Spare parts list

Item	Part Number	Description		
1	1 605 108 249	Motor Housing	DARK BLUE	
2	1 607 000 FOR	Field		
4	1 607 200 086	On-Off Switch		
5	1 614 460 073	Power supply cord	CN 4,15m 2 x 1,0mm	
		H07 RN-F		
6	1 619 P14 643	Grommet	Ø 8,6mm	
7	1 601 302 017	Fastening Clamp		
9	1 601 118 G94	Manufacturer's nameplate		
12	1 607 328 074	Suppression Capacitor		
13	2 600 905 032	Ball Bearing	7x19x6	
14	1 600 905 032	groove ball bearing	8x22x7	
16	1 601 323 025	Brush Holder		
17	1 604 652 013	Spiral Spring		
18	1 619 P09 870	Switch Handle		
19	1 604 611 026	Compression Spring		
20	1 602 319 011	Adjusting Slide		
24	1 605 500 228	Cover	BLUE	
25	1 605 500 251	Housing Cover	DARK BLUE	
26	1 600 206 036	Rubber Ring		
27	1 600 206 025	Rubber Ring		
29	1 600 591 025	Air-Deflector Ring		
30	1 600 591 014	Air-Deflector Ring		
33	1 600 210 035	O-Ring	46,0x1,1 MM	
35	1 600 136 013	Shim	0,1 MM	THICK
35	1 600 136 014	Shim	0,2 MM	THICK
35	1 600 136 015	Shim	0,3 MM	THICK
35	1 600 136 020	Shim	0,15 MM	THICK
37	1 600 290 016	Rotary shaft lip seal		
40	1 600 119 011	Retaining clip		
41	1 600 200 029	Plain bearing		
44	1 604 611 042	Compression Spring		
45	1 603 300 016	Hex Nut	M7, SW10	
47	2 912 401 018	Tapping Screw	DIN7981-ST3,9x13-C-Z	
48	2 912 401 005	Tapping Screw	DIN7981-ST2,9x9,5C-Z	
49	1 619 P07 559	Thread-forming tap. Screw		

Spare parts list

Item	Part Number	Description		
50	2 912 401 420	Tapping Screw	DIN7981-ST3,9x19-F-Z	
52	1 604 448 013	Connecting Cable	L=90 MM	WHITE
53	1 603 415 005	Oval-Head Screw		
54	2 603 490 025	Torx Oval-Head Screw	4x30	
104	1 600 210 044	O-Ring	4,5x1,0 MM	BLUE
105	1 601 008 005	Insulating Plate		
803	1 604 010 A20	Armature With Fan	230V	
808	1 619 P00 715	Nameplate		
810	1 607 014 176	Carbon-Brush Set		
821	1 605 806 5SC	Gear Housing		
828	1 607 000 E1D	Bearing Flange		
828/04	3 600 210 109	O-Ring	47,0x1,5 MM	
831	1 601 290 013	Spring Element		
835	1 606 610 132	Fan		
840	1 607 000 A71	Push-Button		
843	1 607 000 742	Catch Lever		
857	2 910 110 048	Pan head screw	DIN 85-AM3x6-CUZN	
651	1 600 A02 5XR	Protective Cover		
890	1 600 210 039	O-Ring	20,35x1,78 MM	
891	1 602 025 09T	Auxiliary Handle		
891	1 602 025 0A0	Auxiliary Handle		
892	1 603 345 043	Round Nut	M14	
893	1 607 950 052	Pin-Type Face-Wrench		
895	2 605 703 014	Clamping Flange	Ø22,3xØ42 MM	
896	1 600 A01 6PP	Fast Locking Flange		

Illustration - Type - E

3 601 H21 040

Stand } 18-05
Issue } 21-02-17 **Fig. /Abb. 1**

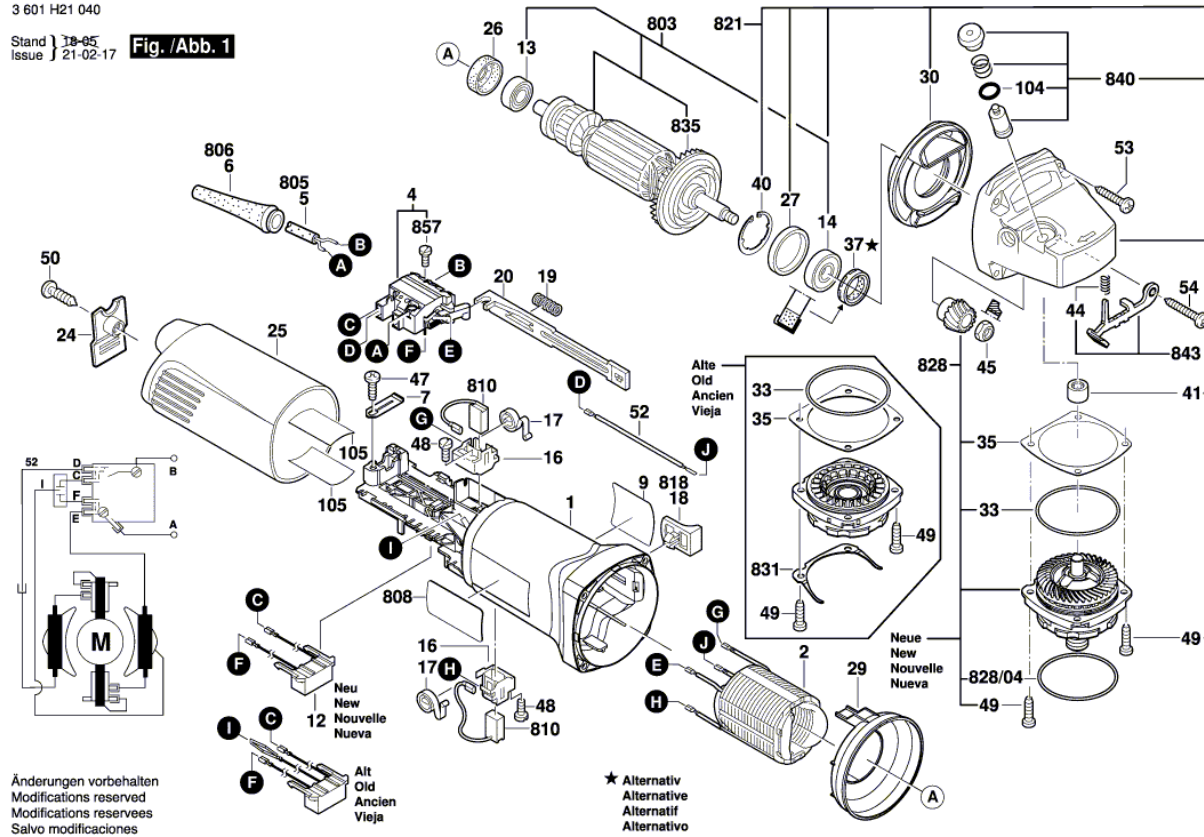
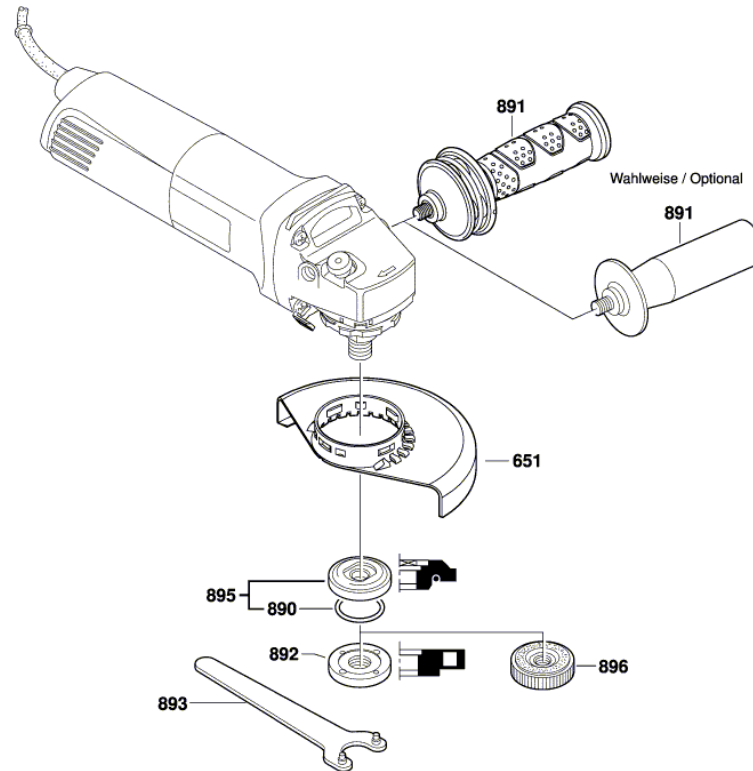


Illustration - Type - E

3 601 H21 040

Stand | 07-08
Issue | 07-08-20 **Fig./Abb. 2**



Änderungen vorbehalten
Modifications reserved
Modificaciones reservadas
Salvo modificaciones