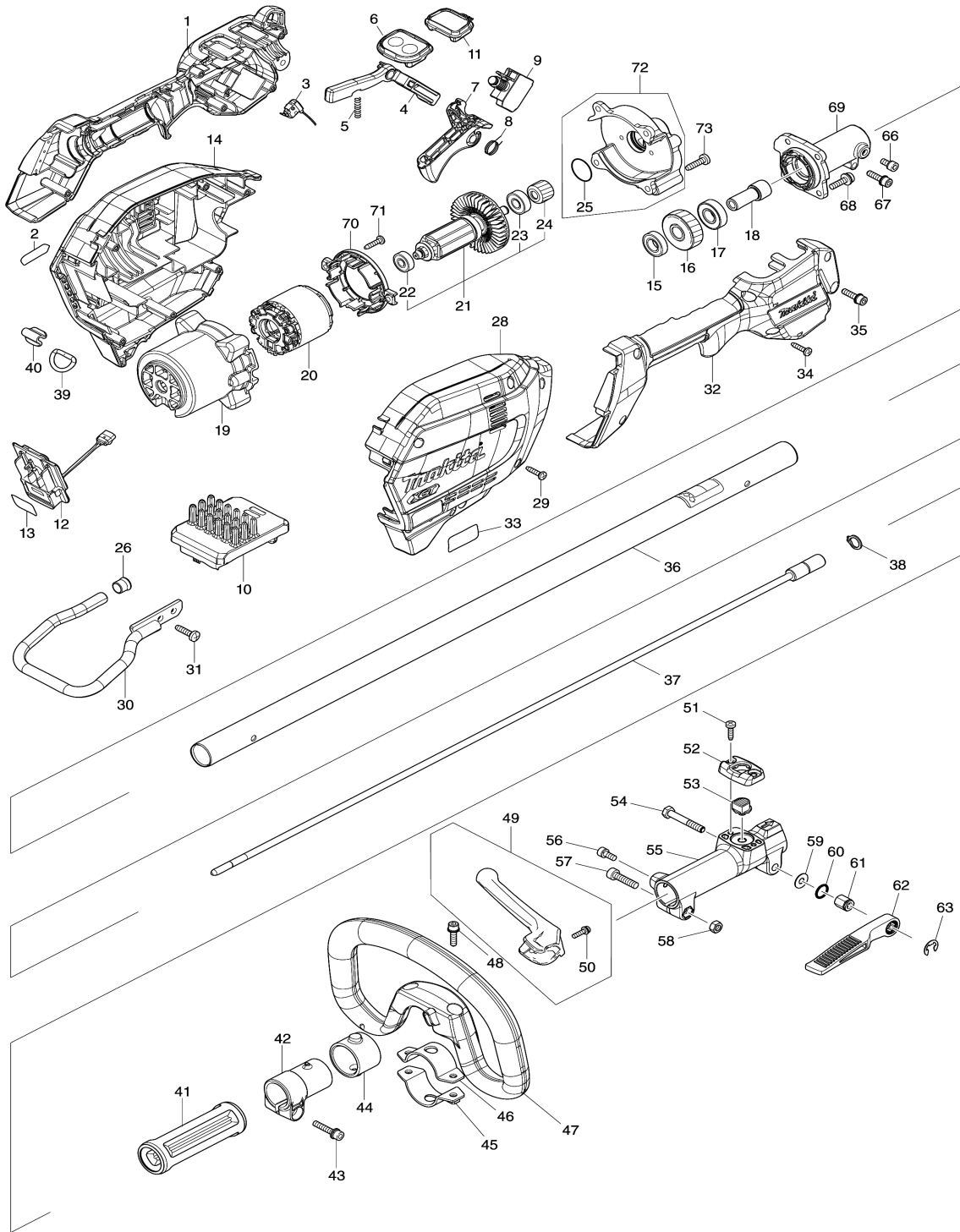




PARTS BREAKDOWN

GUX01ZX1
GUX01JM1X1

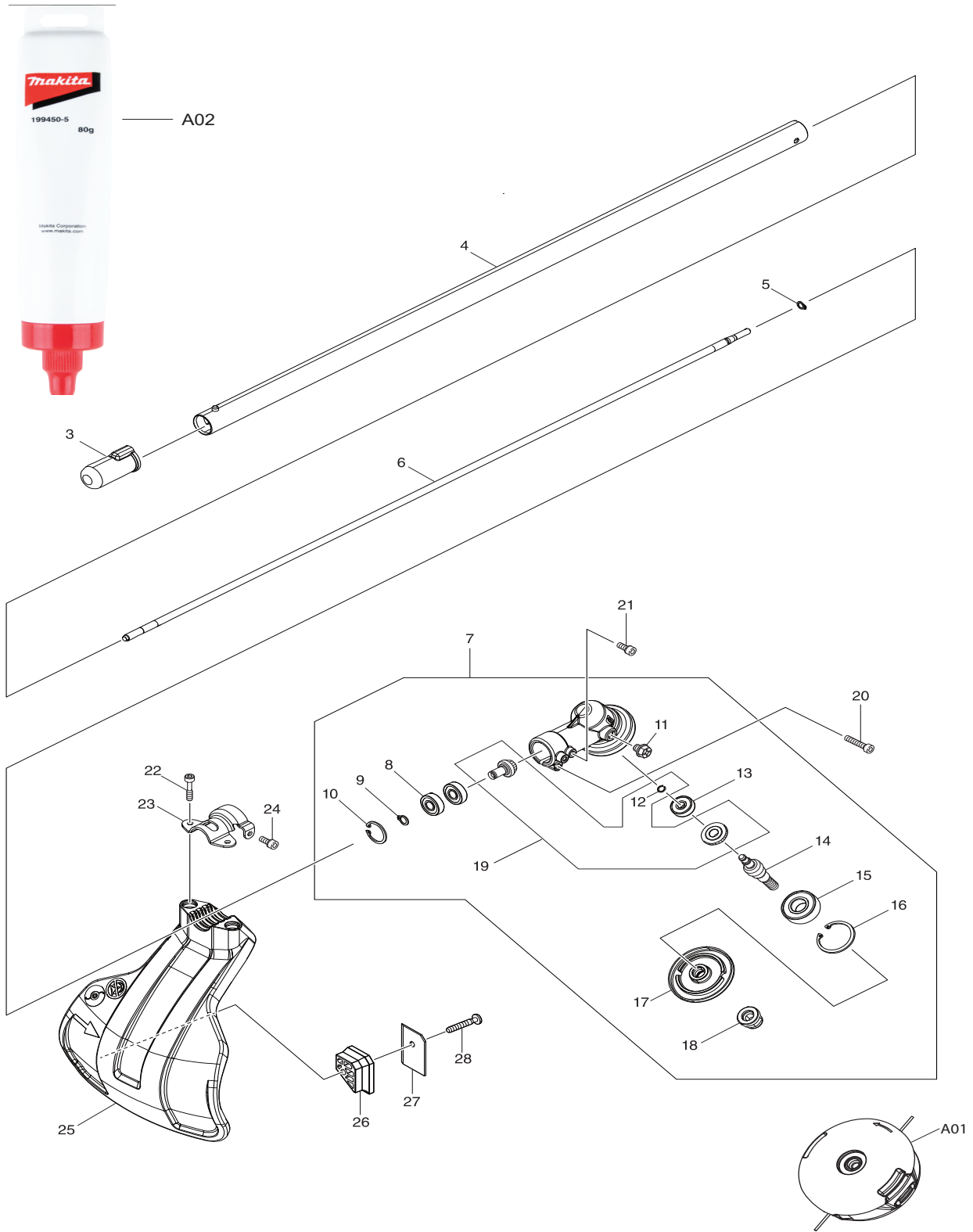


Products with multiple versions are listed in subsiding order with the newest version on top not indented.

Section	Fig. No.	Part No.	Description	GUX01ZX1	GUX01JM1X1	Tech Bulletin	Notes
1	1	183N26-2	GRIP SET	1	1		INC. 32
1	3	632G61-0	SWITCH UNIT	1	1		
1	4	459759-0	LOCK OFF LEVER	1	1		
1	5	233101-1	COMPRESSION SPRING 4	1	1		
1	6	140W64-1	SWITCH CIRCUIT COMPLETE G	1	1		
1	7	459758-2	SWITCH LEVER	1	1		
1	8	233622-3	TORSION SPRING 12	1	1		
1	9	651436-2	SWITCH C3JW-1A-P-2	1	1		
1	10	620D95-7	CONTROLLER	1	1		
1	11	140W63-3	INDICATION CIRCUIT COMPLETE	1	1		
1	12	632P49-4	TERMINAL UNIT	1	1		
1	14	183S13-1	HOUSING SET	1	1		INC. 28
1	15	211150-8	BALL BEARING 6901ZZ	1	1		
1	16	227848-7	HELICAL GEAR 33	1	1		
1	17	211131-2	BALL BEARING 6001DDW	1	1		
1	18	325811-5	SPINDLE HUB	1	1		
1	19	412961-6	MOTOR HOUSING	1	1		
1	20	629A25-7	STATOR	1	1		
1	21	519647-4	ROTOR ASS'Y	1	1		INC. 22-24
1	22	210062-2	BALL BEARING 607ZZ	1	1		
1	23	210005-4	BALL BEARING 608DDW	1	1		
1	24	227834-8	HELICAL GEAR 16	1	1		
1	25	213961-7	O RING 22	1	1		
1	26	422230-7	CAP	1	1		
1	28	183S13-1	HOUSING SET	1	1		INC. 14
1	29	266326-2	TAPPING SCREW 4X18	6	6		
1	30	347752-5	BATTERY GUARD	1	1		
1	31	266420-0	TAPPING SCREW 5X20	2	2		
1	32	183N26-2	GRIP SET	1	1		INC. 1
1	34	266326-2	TAPPING SCREW 4X18	6	6		
1	35	922233-6	H.S.H.BOLT M5X20 WITH WR	1	1		
1	36	140W65-9	SHAFT PIPE B COMPLETE	1	1		
1	37	141238-9	SHAFT B COMPLETE	1	1		
1	38	961052-5	RETAINING RING S-12	1	1		
1	39	327742-4	D RING 20	1	1		

Products with multiple versions are listed in subsiding order with the newest version on top not indented.

Section	Fig. No.	Part No.	Description	GUX01ZX1	GUX01JM1X1	Tech Bulletin	Notes
1	40	347783-4	RING SUPPORT	1	1		
1	41	451601-1	SPACER 24	1	1		
1	42	457269-1	PIPE HOLDER 24	1	1		
1	43	922244-1	H.S.H.BOLT M5X25 WITH WG	1	1		
1	44	424942-8	DAMPER	1	1		
1	45	347114-7	LOWER CLAMP 35	1	1		
1	46	347113-9	UPPER CLAMP 35	1	1		
1	47	457772-2	LOOP HANDLE	1	1		
1	48	922234-4	H.S.H.BOLT M5X20 WITH WG	2	2		
1	49	144315-6	BARRIER COMPLETE	1	1		INC. 50
1	50	911128-8	P.H.SCREW M4X16 WITH WR	1	1		
1	51	266034-5	TAPPING SCREW CT 4X16	2	2		
1	52	452840-6	RELEASE BUTTON COVER	1	1		
1	53	452839-1	RELEASE BUTTON	1	1		
1	54	265596-0	HEX.BOLT M6X40	1	1		
1	55	318750-6	JOINT 24	1	1		
1	56	922211-6	H.S.H.BOLT M5X12 WITH W	1	1		
1	57	922342-1	HEX. SOCKET HEAD BOLT M6X25	1	1		
1	58	931302-2	HEX. NUT M6	1	1		
1	59	253332-6	THIN WASHER 6	1	1		
1	60	213105-9	O RING 11	1	1		
1	61	252159-1	HEX. NUT M6	1	1		
1	62	272268-0	LEVER 94	1	1		
1	63	961014-3	STOP RING E-8	1	1		
1	66	922211-6	H.S.H.BOLT M5X12 WITH W	1	1		
1	67	922233-6	H.S.H.BOLT M5X20 WITH WR	1	1		
1	68	911233-1	PAN HEAD SCREW M5X20	4	4		
1	69	140Y38-4	PIPE BRACKET COMPLETE	1	1		
1	70	459764-7	BAFFLE PLATE	1	1		
1	71	266326-2	TAPPING SCREW 4X18	2	2		
1	72	136368-9	GEAR BOX ASSY	1	1		INC. 25
1	73	266420-0	TAPPING SCREW 5X20	4	4		
	A01	127759-5	BAND ASSEMBLY L	1	1		
	A03	783202-0	HEX. WRENCH 4	1	1		
	A09	782238-6	BOX WRENCH 17	1	1		



Products with multiple versions are listed in subsiding order with the newest version on top not indented.

Section	Fig. No.	Part No.	Description	GUX01ZX1	GUX01JM1X1	Tech Bulletin	Notes
2	3	424434-7	CAP 24	1	1		
2	4	141010-9	SHAFT PIPE A COMPLETE	1	1		
2	5	961003-8	RETAINING RING S-7	1	1		
2	6	326088-5	SHAFT A	1	1		
2	7	123975-7	GEAR CASE ASSEMBLY US	1	1		
2	8	210051-7	BALL BEARING 609ZZ	2	2		
2	8	210049-4	BALL BEARING 609ZZ	2	2		
2	9	257986-1	RETAINING RING (EXT) S-9	1	1		
2	10	257987-9	RETAINING RING (INT)R-24	1	1		
2	11	265590-2	+HEX.BOLT M8X10 WITH R	1	1		
2	12	232350-7	RING SPRING 6	1	1		
2	13	210025-8	BALL BEARING 627ZZ	1	1		
2	13	210030-5	BALL BEARING 627ZZ	1	1		
2	14	326853-2	CUTTER SHAFT	1	1		
2	15	211228-7	BALL BEARING 6202DDW	1	1		
2	16	257432-4	RETAINING RING R-35	1	1		
2	17	144312-2	RECEIVE WASHER COMPLETE	1	1		
2	18	252236-9	HEX. LOCK NUT M10-17	1	1		
2	19	183J06-4	SPIRAL BEVEL GEAR SET	1	1		
2	20	922242-5	HEX. SOCKET HEAD BOLT M5X25	1	1		
2	21	922216-6	HEX. SOCKET HEAD BOLT M5X14	1	1		
2	22	251513-6	H.S.H.BOLT M5X25	2	2		
2	23	347107-4	PROTECTOR CLAMP 24	1	1		
2	24	922216-6	HEX. SOCKET HEAD BOLT M5X14	1	1		
2	25	457273-0	PROTECTOR N 420-450	1	1		
2	26	457794-2	CUTTER EXTENSION	1	1		
2	27	347115-5	CUTTER	1	1		
2	28	266553-1	TAPPING SCREW 5X30	1	1		
2		198773-8	TRIMMER HEAD	1	1		
2	A02	199450-5	GEAR GREASE	1	1		