

Table Saw - 3 601 L30 440 - GTS 10 XC

www.powertools-aftersaleservice.com



BOSCH

Item	Part Number	Description	Illustration	Price	Quantity	Price Group
2	2 610 016 834	Field 230V	2	-,-	1	45
3	2 610 016 833	Armature 230V	2	-,-	1	47
4	2 610 018 210	On-Off Switch	3	-,-	1	39
5	2 610 018 373	Power supply cord AUS	3	-,-	1	33
6	2 610 915 699	Rubber Bushing	3	-,-	1	20
7	2 610 358 842	Clamp	3	-,-	1	11
9	2 610 018 213	Label	3	-,-	1	13
12	2 610 018 216	Suppression Filter	3	-,-	1	28
13	2 610 004 595	Ball Bearing	2	-,-	1	24
14	2 610 911 927	Ball Bearing	2	-,-	1	31
16	2 610 911 858	Brush Holder alt	2	-,-	2	27
16	2 610 013 003	Brush Holder new	2	-,-	2	20
18	2 610 018 217	Screw	3	-,-	4	10
19	2 610 358 844	Screw	3	-,-	2	11
22	2 610 996 913	Pin	1	-,-	2	16
23	2 610 996 917	Plate	1	-,-	2	11
24	2 610 997 274	Pin	1	-,-	2	10
25	2 610 937 292	Guide Pin	1	-,-	1	11
26	2 610 911 896	Nut	1	-,-	1	10
27	2 610 996 912	Fixing Plate	1	-,-	2	18
28	1 600 A00 724	Mounting Rail	1	-,-	1	12
29	2 610 950 075	Mounting Rail	1	-,-	1	21
30	2 610 303 029	Screw	1	-,-	8	10
31	2 610 018 218	Handle Cover	1	-,-	1	15
32	2 610 018 219	Handle Cover	1	-,-	1	15
33	2 610 018 580	Screw	1	-,-	20	10
34	2 610 950 126	Mounting Bracket	1	-,-	1	21
35	2 610 950 070	Bushing	1	-,-	1	10
36	2 610 950 127	Mounting Bracket	1	-,-	1	23
37	2 610 998 575	Screw	1	-,-	4	10
38	2 610 018 220	Holding Plate	2	-,-	1	12
39	2 610 950 052	Guiding bolt	2	-,-	2	20
40	2 610 992 380	Spring retaining ring	2	-,-	4	10

Item	Part Number	Description	Illustration	Price	Quantity	Price Group
41	2 610 018 221	Threaded Rod	2	-,-	1	26
42	2 610 996 896	Toothed Gear	2	-,-	2	18
43	2 610 910 796	Bolt	2	-,-	2	14
44	2 610 358 149	Nut	2	-,-	2	10
45	2 610 018 223	Plain Washer	2	-,-	1	10
46	2 610 018 224	Shaft	2	-,-	1	24
47	2 610 997 212	Mounting Bracket	2	-,-	1	14
48	2 610 297 323	Screw	2	-,-	3	10
49	2 610 997 222	Bushing	2	-,-	1	11
50	2 610 997 277	Spring retaining ring	2	-,-	1	10
51	2 610 997 276	Spring retaining ring	2	-,-	1	10
52	2 610 996 938	Bushing	2	-,-	1	21
53	2 610 996 933	Threaded Bushing	2	-,-	1	26
54	2 610 303 026	Screw	2	-,-	2	10
55	2 610 018 225	Gear Housing	2	-,-	1	39
57	2 610 018 226	Baffle	2	-,-	1	16
63	1 609 902 054	Set screw	2	-,-	2	10
65	2 610 911 569	Insert	2	-,-	2	13
66	2 610 356 706	Nut	2	-,-	2	13
67	2 610 911 929	Screw	2	-,-	2	10
68	2 610 996 948	Rubber Ring	2	-,-	1	11
69	2 610 358 932	Connector	2	-,-	1	11
70	2 610 018 227	Cover	2	-,-	1	22
71	1 609 203 K96	Cable Clip	3	-,-	2	10
72	2 610 017 110	Washer	2	-,-	1	12
73	2 610 998 571	Screw alt	2	-,-	2	10
73	2 610 018 983	Screw new	2	-,-	2	10
74	2 610 018 228	Support bracket	2	-,-	1	11
75	2 610 223 019	Speed governor	2	-,-	1	38
76	1 609 902 050	Cable Strap	3	-,-	2	10
77	2 610 998 587	Screw	2	-,-	1	10
78	2 610 911 859	Brush-Cover Ø 20mm	2	-,-	2	12
78	2 610 916 802	Brush-Cover Ø 22mm	2	-,-	2	13
81	2 610 911 924	Spring Washer	2	-,-	1	15
82	2 610 018 231	Shaft	2	-,-	1	29
83	2 610 997 210	Ball Bearing	2	-,-	1	26
84	2 610 997 282	Spring retaining ring	2	-,-	1	10
85	2 610 018 232	Gear Cover	2	-,-	1	29
86	2 610 996 949	Ball Bearing	2	-,-	1	26
87	2 610 993 102	Woodruff Key	2	-,-	1	12
88	2 610 997 208	Toothed Gear	2	-,-	1	35
89	2 610 997 281	Spring retaining ring	2	-,-	1	10
90	2 610 996 932	Bearing Sleeve	2	-,-	2	13
91	2 610 355 923	Screw	2	-,-	1	10
92	2 610 996 875	Torsion Spring	2	-,-	1	11
93	2 610 996 874	Locking Lever	2	-,-	1	23
94	2 610 996 876	Shoulder Screw	2	-,-	1	11
95	2 610 998 588	Screw	2	-,-	1	11
96	2 610 018 233	Bushing	2	-,-	1	20
97	2 610 998 573	Spring retaining ring	2	-,-	1	10
98	2 610 950 427	Set screw	1	-,-	3	10
99	2 610 018 230	Screw	2	-,-	4	10
100	2 610 328 617	Screw	1	-,-	11	10

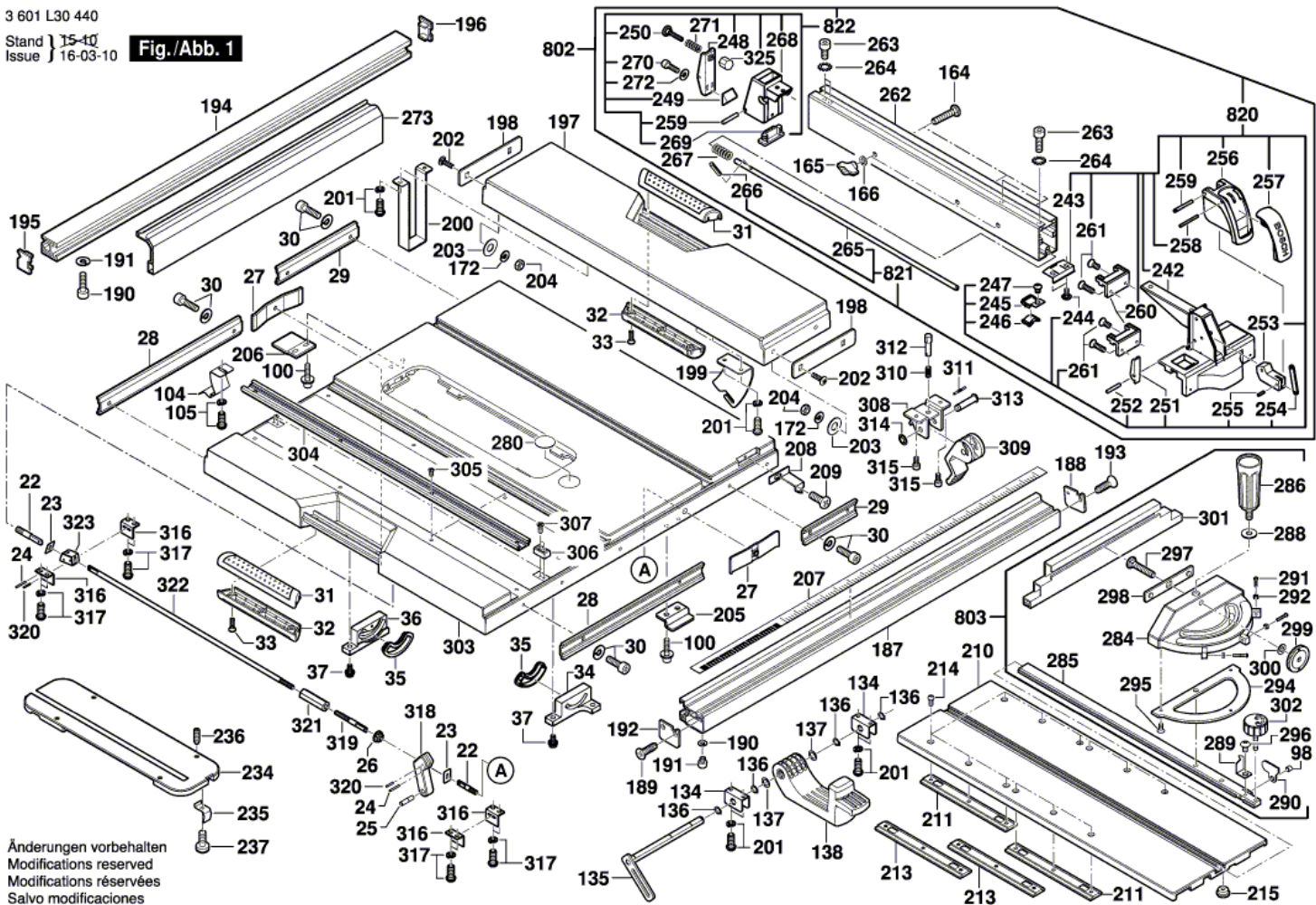
Item	Part Number	Description	Illustration	Price	Quantity	Price Group
101	2 610 303 020	Plain Washer	2	-,-	2	10
102	2 610 018 234	Cover Plate	2	-,-	1	19
103	2 610 018 235	End stop	2	-,-	1	11
104	2 610 018 236	Holding Spring	1	-,-	1	15
105	2 610 018 237	Screw	1	-,-	1	10
106	2 610 018 238	Front Panel	3	-,-	1	33
107	2 610 950 118	Profile Rail	3	-,-	1	10
108	2 610 018 239	End stop	3	-,-	2	11
109	2 610 018 599	Screw M5x0,8Px10L	3	-,-	2	10
110	2 610 997 271	Spring	3	-,-	1	11
111	2 610 998 550	Plain Washer	3	-,-	2	11
112	2 610 997 299	Plain Washer	3	-,-	1	11
113	2 610 997 298	Nut	3	-,-	1	17
114	2 610 950 056	Clamping Lever	3	-,-	2	24
115	2 610 950 129	Plain Washer	3	-,-	1	10
116	2 610 341 465	Washer	3	-,-	2	12
117	2 610 950 115	Spring	3	-,-	2	10
118	2 610 950 057	Handwheel	3	-,-	1	26
121	2 610 950 059	Handle	3	-,-	2	10
122	2 610 997 270	Shoulder Screw	3	-,-	1	12
123	2 610 355 325	Spring Washer	3	-,-	1	10
124	1 609 902 669	Set screw	3	-,-	1	10
125	1 609 203 L56	Clamping Flange	3	-,-	3	24
127	2 610 950 046	Washer	3	-,-	1	24
128	2 610 358 858	Nut	3	-,-	1	13
129	2 610 018 241	Cover Plate	3	-,-	1	28
130	2 610 018 242	Cover Plate	3	-,-	1	25
131	2 610 018 243	Screw	3	-,-	1	10
132	2 610 358 869	Retaining snap ring	3	-,-	1	11
133	1 609 902 699	Screw	3	-,-	4	10
134	2 610 937 291	Mounting Bracket	1	-,-	2	14
135	2 610 018 244	Linkage	1	-,-	1	25
136	2 610 937 293	Retaining ring	1	-,-	4	10
137	1 619 P03 473	Washer	1	-,-	2	10
138	2 610 018 245	Clamping Lever	1	-,-	1	24
139	2 610 018 246	Housing	3	-,-	1	46
140	2 610 018 247	Clamp	3	-,-	2	13
141	2 610 998 574	Screw	3	-,-	2	10
142	2 610 996 930	Pickup Clip	3	-,-	2	14
143	2 610 910 047	Screw	3	-,-	8	10
144	2 610 018 248	Screw	3	-,-	1	12
145	2 610 018 249	Nut	3	-,-	1	12
146	2 610 018 250	Holding Spring	3	-,-	1	12
147	2 610 018 251	Holding Spring	3	-,-	1	15
148	2 610 018 252	Company Logo	3	-,-	1	19
150	2 610 018 254	Hexagon Socket Screw Key	3	-,-	1	16
151	2 610 911 920	Rubber Bushing	3	-,-	1	10
156	2 610 990 504	Cable Clip	3	-,-	2	10
157	2 610 018 255	Mounting Bracket	3	-,-	1	12
158	2 610 018 256	Holding Spring	3	-,-	1	13
159	2 610 018 257	Suction Socket	3	-,-	1	19
160	2 610 018 258	Chain	3	-,-	1	10
161	2 610 018 259	Clip	3	-,-	2	10

Item	Part Number	Description	Illustration	Price	Quantity	Price Group
162	2 610 016 560	Stud bolt		3	-,-	2 10
163	2 610 018 262	Pin		3	-,-	1 10
164	1 609 203 L05	Screw		1	-,-	3 10
165	1 609 203 L06	Knob		1	-,-	3 15
166	2 610 018 263	Plain Washer		1	-,-	3 10
167	2 610 018 264	Washer		3	-,-	2 10
168	1 609 203 L09	Guard Plate		3	-,-	1 22
169	2 610 018 265	Screw		3	-,-	1 10
170	1 609 902 052	Spring Washer		3	-,-	1 10
171	1 609 902 053	Plain Washer		3	-,-	1 10
172	1 609 203 L10	Plain Washer		1	-,-	5 10
173	1 609 203 L11	Nut		3	-,-	1 11
174	2 610 018 266	Sleeve		3	-,-	1 10
175	2 610 997 297	Screw		3	-,-	4 10
176	2 610 355 570	Washer		3	-,-	2 15
178	2 610 018 267	Switch Cover		3	-,-	1 21
180	2 610 018 268	Housing		3	-,-	1 38
181	1 609 902 684	Hex Nut		3	-,-	2 10
182	2 610 018 269	Guard Plate		3	-,-	1 32
183	2 610 018 270	Retaining ring		3	-,-	2 10
184	2 610 018 271	Screw		3	-,-	2 12
185	2 610 018 272	Rubber Bushing		3	-,-	2 13
186	2 610 358 846	Rubber Bushing		3	-,-	2 11
187	2 610 018 275	Profile Rail		1	-,-	1 40
188	2 610 018 276	End stop		1	-,-	1 11
189	2 610 950 133	Screw		1	-,-	2 10
190	2 610 950 135	Washer		1	-,-	2 10
191	2 610 950 134	Bolt		1	-,-	2 10
192	2 610 018 277	Stamped Part		1	-,-	1 12
193	2 610 018 278	Screw		1	-,-	2 10
194	2 610 018 279	Profile Rail		1	-,-	1 38
195	2 610 997 218	Cover		1	-,-	1 10
196	2 610 997 216	Cover		1	-,-	1 10
197	2 610 018 280	Table top		1	-,-	1 47
198	2 610 950 086	fixing plate		1	-,-	2 17
199	2 610 018 281	Mounting Bracket		1	-,-	1 15
200	2 610 018 597	Mounting Bracket		1	-,-	1 18
201	2 610 018 283	Screw		1	-,-	4 10
202	2 610 950 087	Screw		1	-,-	4 10
203	1 609 902 042	Washer		1	-,-	4 11
204	2 610 304 772	Nut		1	-,-	4 11
205	2 610 950 121	End stop		1	-,-	1 14
206	2 610 018 284	End stop		1	-,-	1 13
207	2 610 018 285	Sticker		1	-,-	1 13
208	2 610 950 078	Pointer		1	-,-	1 15
209	2 610 320 339	Screw		1	-,-	1 10
210	2 610 018 286	Table top		1	-,-	1 47
211	2 610 018 287	Slide Rail		1	-,-	1 22
212	2 610 018 384	Connecting Cable		3	-,-	1 12
213	2 610 018 288	Slide Rail		1	-,-	1 22
214	2 610 014 697	Screw		1	-,-	12 10
215	2 610 018 289	Bushing		1	-,-	1 10
216	2 610 950 062	Pointer		2	-,-	1 13

Item	Part Number	Description	Illustration	Price	Quantity	Price Group
217	2 610 355 278	Screw	2	-,-	1	17
218	2 610 018 337	Mounting Bracket	2	-,-	1	29
219	2 610 018 338	Riving Knife	2	-,-	1	31
220	2 610 018 339	Holding Plate	2	-,-	1	15
221	2 610 018 340	Bolt	2	-,-	1	11
222	2 610 018 341	Detent	2	-,-	1	12
223	2 610 018 342	Washer	2	-,-	1	10
224	2 610 998 580	Screw	2	-,-	1	10
225	1 609 902 058	Nut	2	-,-	1	10
226	2 610 018 354	Bolt	2	-,-	1	10
234	2 610 018 290	Fixing Plate	1	-,-	1	32
235	2 610 011 716	Holding Spring	1	-,-	1	10
236	2 610 997 283	Stud	1	-,-	4	10
237	1 609 902 055	Screw	1	-,-	1	10
238	2 610 018 291	Sliding Rail	3	-,-	2	31
239	2 610 996 944	Guide Bracket	3	-,-	2	26
240	2 610 018 292	Spring retaining ring	3	-,-	4	10
241	2 610 998 585	Knob	3	-,-	2	12
242	2 610 018 293	Edge Guide	1	-,-	1	33
243	2 610 018 294	Clamping Plate	1	-,-	1	12
244	2 610 997 249	Shoulder Screw	1	-,-	2	10
245	2 610 950 102	Bracket	1	-,-	1	16
246	2 610 950 143	Lens	1	-,-	1	13
247	2 610 951 946	Screw	1	-,-	1	10
248	2 610 018 295	Clamping Plate	1	-,-	1	15
249	2 610 997 240	Clamping Piece	1	-,-	1	12
250	2 610 997 245	Adjusting Screw	1	-,-	1	13
251	2 610 950 098	Clamping Plate	1	-,-	1	13
252	2 610 997 288	Pin	1	-,-	2	18
253	2 610 996 889	Cam	1	-,-	1	24
254	2 610 996 890	Lever	1	-,-	1	10
255	2 610 997 289	Pin	1	-,-	1	10
256	2 610 950 095	Housing	1	-,-	1	30
257	2 610 950 094	Handle Cover	1	-,-	1	19
258	2 610 950 096	Bolt	1	-,-	1	10
259	2 610 950 097	Bolt	1	-,-	1	12
260	2 610 018 296	Cover	1	-,-	1	12
261	2 610 967 422	Screw	1	-,-	4	10
262	2 610 018 297	Edge Guide	1	-,-	1	40
263	2 610 303 023	Screw	1	-,-	4	10
264	2 610 358 802	Washer	1	-,-	4	11
265	2 610 018 298	Bracket	1	-,-	1	19
266	2 610 911 577	Retaining Pin	1	-,-	1	11
267	2 610 996 888	Spring	1	-,-	1	11
268	2 610 950 107	Edge Guide	1	-,-	1	27
269	2 610 018 299	Cover	1	-,-	1	10
270	2 610 997 293	Screw	1	-,-	2	10
271	2 610 998 593	Spring	1	-,-	1	10
272	2 610 018 300	Washer	1	-,-	2	10
273	2 610 018 301	End stop	1	-,-	1	30
274	2 610 996 880	Box Wrench	3	-,-	1	17
275	2 610 018 302	Insert	3	-,-	1	28
276	2 610 018 303	Nut	3	-,-	1	11

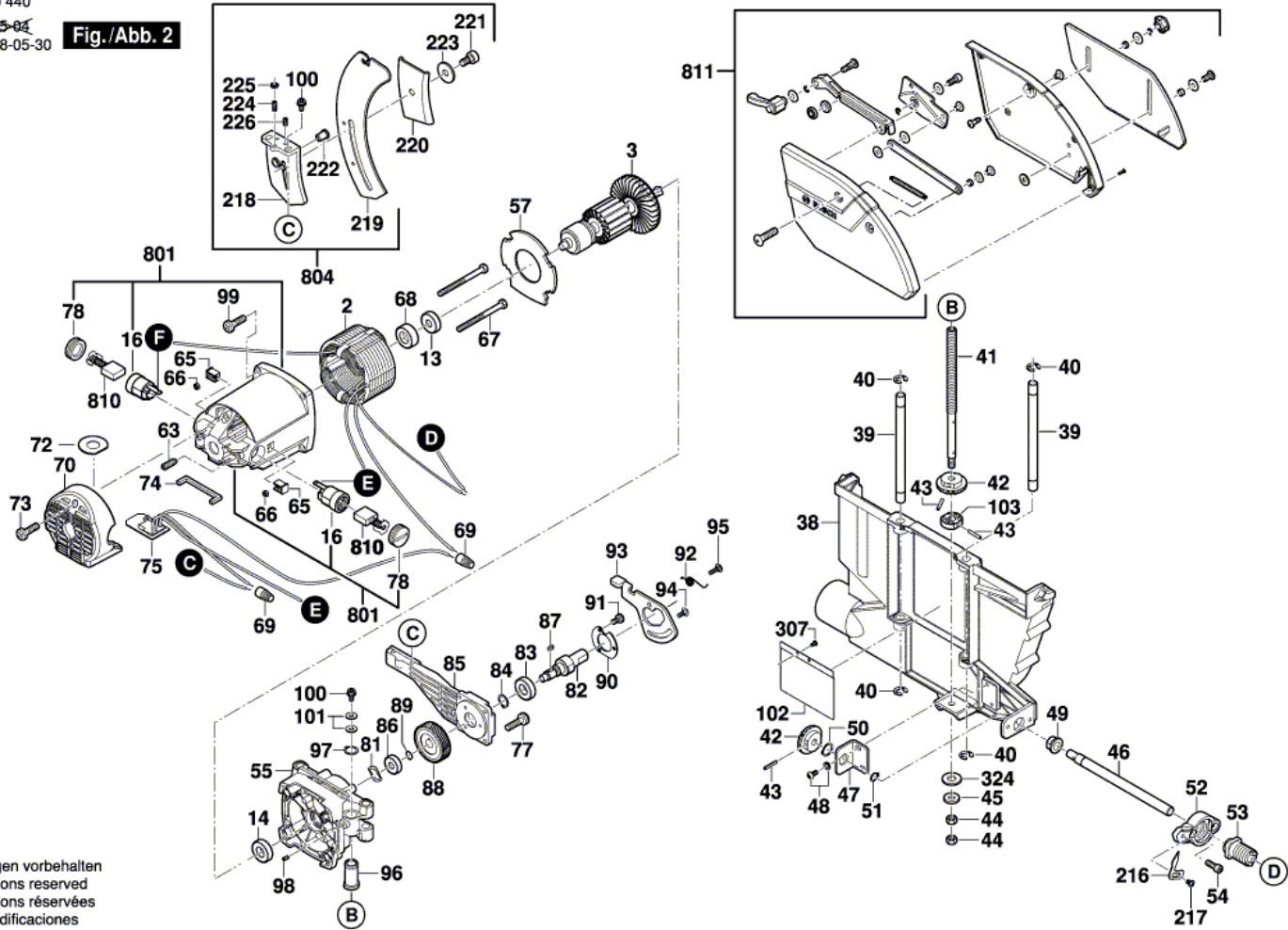
Item	Part Number	Description	Illustration	Price	Quantity	Price Group
277	2 610 015 022	Workpiece Pusher		3	-,-	1 19
280	1 609 203 L00	Sticker		1	-,-	1 23
281	2 610 018 304	Table top		3	-,-	1 33
282	2 610 029 674	Washer		3	-,-	2 11
284	1 609 203 L38	End stop		1	-,-	1 35
285	2 610 018 307	Guide Bar		1	-,-	1 28
286	2 610 018 308	Clamp Handle		1	-,-	1 25
288	2 610 909 178	Plain Washer		1	-,-	1 10
289	2 610 018 309	Pointer		1	-,-	1 11
290	2 610 997 215	End stop		1	-,-	1 11
291	2 610 358 519	Screw		1	-,-	3 10
292	2 610 908 272	Nut		1	-,-	3 10
294	2 610 997 213	Base Support		1	-,-	1 14
295	2 610 358 832	Screw		1	-,-	3 11
296	2 610 015 065	Screw		1	-,-	1 10
297	1 609 203 L08	Bolt		1	-,-	1 11
298	1 609 203 L04	Clamping Plate		1	-,-	3 12
299	1 609 902 047	Round Nut		1	-,-	1 13
300	2 610 993 221	Plain Washer		1	-,-	1 10
301	1 609 203 L07	Profile Rail		1	-,-	1 29
302	2 610 018 313	Knob		1	-,-	1 13
303	2 610 018 315	Table top		1	-,-	1 55
304	2 610 018 316	Profile Rail		1	-,-	1 35
305	2 610 018 317	Screw		1	-,-	1 10
306	2 610 018 318	End stop		1	-,-	1 10
307	2 610 018 319	Screw		1	-,-	1 10
308	2 610 018 320	Mounting Bracket		1	-,-	1 15
309	2 610 018 321	Clamping Lever		1	-,-	1 16
310	2 610 018 322	Spring		1	-,-	1 10
311	2 610 018 323	Pin		1	-,-	1 10
312	2 610 018 324	Locking Pin		1	-,-	1 12
313	2 610 018 325	Axle		1	-,-	1 10
314	2 610 018 326	Spring retaining ring		1	-,-	1 10
315	2 610 018 327	Screw		1	-,-	1 10
316	2 610 996 921	Holding Bracket		1	-,-	4 11
317	2 610 908 271	Tapping Screw		1	-,-	12 11
318	2 610 996 914	Gusset		1	-,-	1 33
319	2 610 996 918	Set screw		1	-,-	1 12
320	2 610 997 275	Pin		1	-,-	2 10
321	2 610 996 920	Connecting Nut		1	-,-	1 18
322	2 610 018 567	Bracket		1	-,-	1 17
323	2 610 996 915	Clamping Piece		1	-,-	1 23
324	2 610 018 350	Plain Washer		2	-,-	1 10
325	2 610 028 342	Cap Nut		1	-,-	1 11
326	2 610 998 567	Clamp Bushing		3	-,-	1 10
327	2 610 015 078	Screw		3	-,-	2 10
328	2 610 018 579	Grommet		3	-,-	1 10
801	1 619 PB2 532	Motor Housing		2	-,-	1 34
802	2 610 018 329	Edge Guide		1	-,-	1 50
803	2 610 015 508	Mitre Fence		1	-,-	1 40
804	2 610 018 330	Protective Cover		2	-,-	1 40
808	1 619 PB1 009	Nameplate		N/A	-,-	1 13
810	2 610 018 332	Carbon-Brush Set		2	-,-	1 30

Item	Part Number	Description	Illustration	Price	Quantity	Price Group
811	2 610 018 374	Protective Cover	2	-,-	1	42
820	2 610 018 333	Clamp Handle	1	-,-	1	41
821	2 610 018 334	Rod	1	-,-	1	22
822	2 610 018 335	Locking clamps	1	-,-	1	31



3 601 L30 440
 Stand } 15-04
 Issue } 18-05-30

Fig./Abb. 2



Änderungen vorbehalten
 Modifications reserved
 Modifications réservées
 Salvo modificaciones

