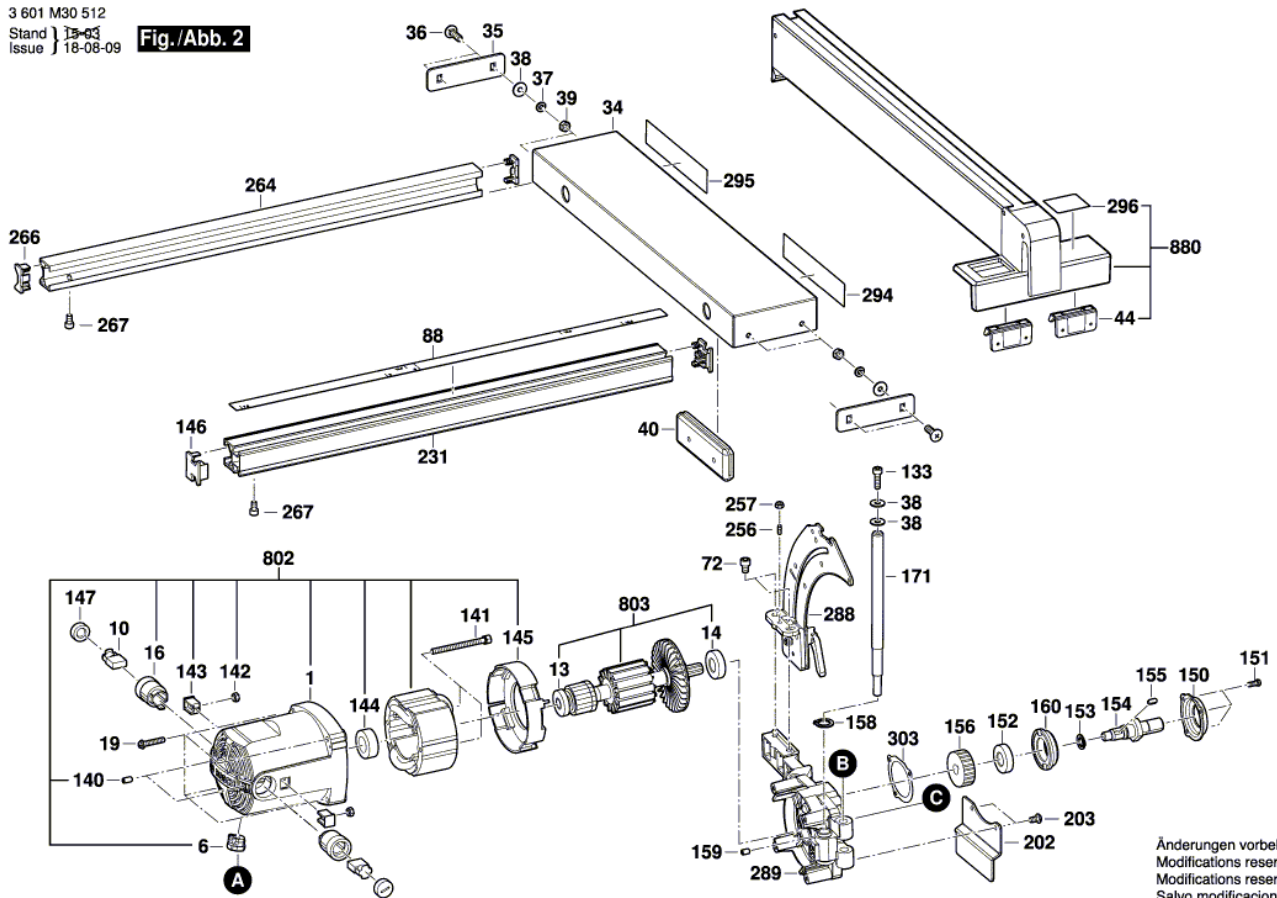






3 601 M30 512  
Stand 15-03  
Issue 18-08-09

**Fig./Abb. 2**

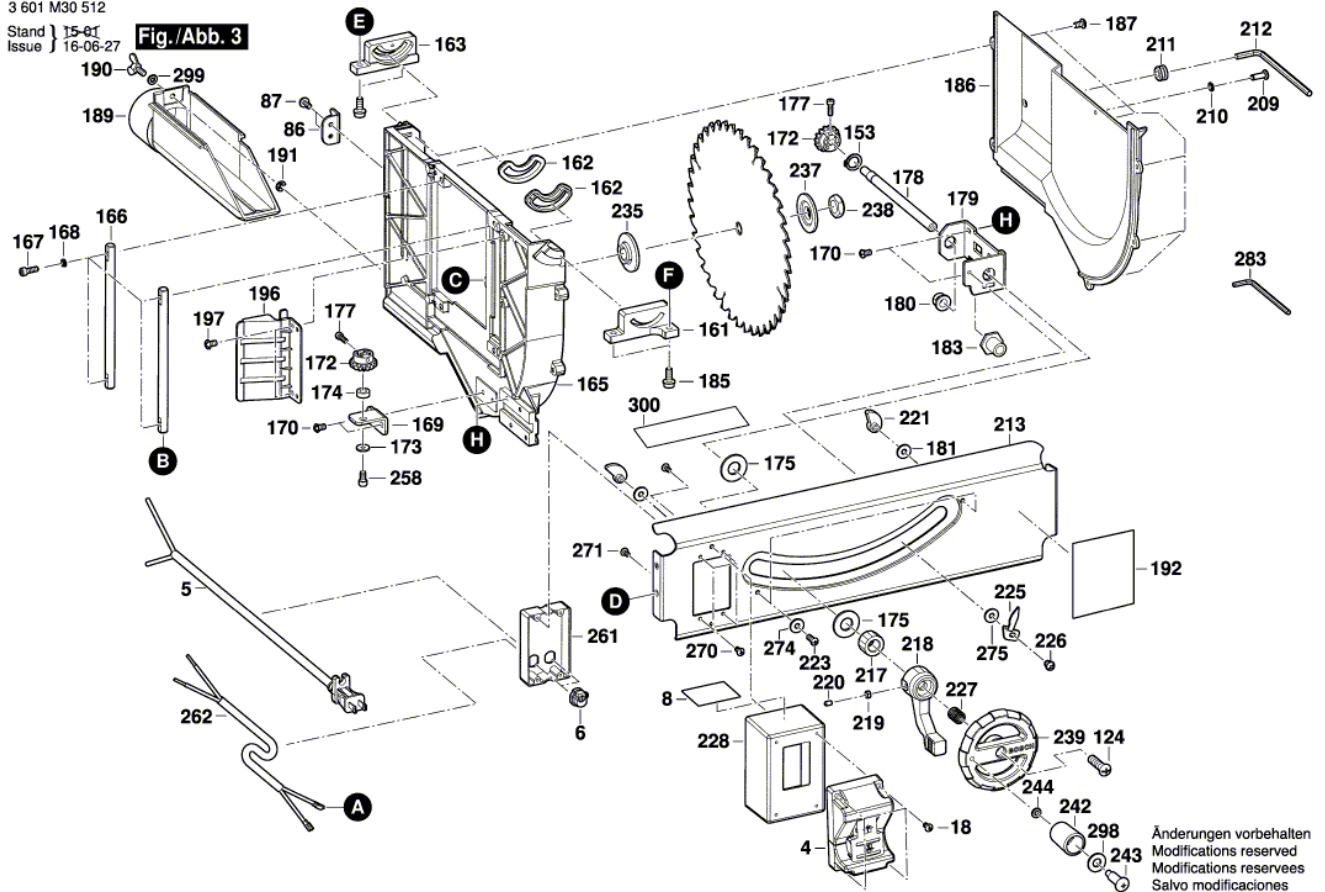


Änderungen vorbehalten  
Modifications reserved  
Modificaciones reservadas  
Salvo modificaciones



3 601 M30 512  
Stand 15-21  
Issue 16-06-27

**Fig./Abb. 3**





Pos.	Part Number	Description	Pos.	Part Number	Description
1	2 610 014 691	Motor Housing	144	2 610 013 160	Bearing Housing
4	2 610 015 088	On-Off Switch	145	2 610 015 029	Baffle
5	1 619 PA3 129	Power supply cord	146	2 610 015 030	End cap
6	2 610 998 567	Clamp Bushing	147	2 610 955 233	Brush-Cover
7	2 610 014 693	Cable Clip	149	2 610 015 031	Spring retaining ring
8	1 601 11A 1HX	Nameplate	150	2 610 015 032	Spindle Housing
10	2 610 024 768	Carbon-Brush Set	151	2 610 908 271	Tapping Screw
13	2 610 015 747	Ball Bearing	152	2 610 997 210	Ball Bearing
14	2 610 017 349	groove ball bearing	153	2 610 997 282	Spring retaining ring
16	2 610 013 003	Brush Holder	154	2 610 015 033	Spindle
18	2 610 014 695	Screw	155	2 610 012 984	Woodruff Key
19	2 610 358 928	Screw	156	2 610 012 985	Reduction Gear
20	2 610 015 358	Label	158	2 610 998 573	Spring retaining ring
22	2 610 014 697	Screw	159	2 610 950 427	Set screw
25	2 610 014 698	Nut	160	2 610 015 034	Bearing Plate
26	2 610 996 920	Connecting Nut	161	2 610 950 126	Mounting Bracket
27	2 610 014 699	Handle	162	2 610 950 070	Bushing
28	2 610 015 000	Cam	163	2 610 015 035	Support bracket
29	2 610 015 001	Washer	165	2 610 015 036	Holding Plate
30	2 610 015 002	Spring retaining ring	166	2 610 015 037	Rod
33	2 610 015 004	Rod	167	2 610 015 038	Bolt
34	2 610 015 005	Table top	168	2 610 015 039	Washer
35	2 610 015 006	Retaining Plate	169	2 610 015 040	Support Plate
36	2 610 910 015	Collar bolt	170	2 610 950 055	Screw
37	2 610 355 325	Spring Washer	171	2 610 015 041	Rod
38	2 610 910 013	Washer	172	2 610 015 042	Bevel Gear
39	2 610 015 008	Nut	173	2 610 013 162	Washer
40	2 610 015 009	Handle	174	2 610 015 043	Bushing
41	2 610 015 010	Pointer	175	2 610 015 044	Washer
42	2 610 950 077	Screw	177	2 610 015 045	Screw
44	2 610 023 173	Pad	178	2 610 015 046	Shaft
72	2 610 950 069	Screw	179	2 610 015 047	Support Plate
73	2 610 015 011	Washer	180	2 610 015 048	Bushing
74	2 610 015 012	Bolt	181	2 610 016 557	Washer
75	2 610 925 438	Washer	182	2 610 016 558	Nut
76	2 610 015 014	Supporting foot	183	2 610 015 049	Bushing
77	2 610 015 015	Screw	184	2 610 013 053	Set screw
78	2 610 015 016	Handle	185	2 610 016 559	Screw
79	2 610 015 017	Holding Plate	186	2 610 015 050	Cover
80	2 610 015 018	Screw	187	2 610 950 049	Screw
81	2 610 015 019	Key	189	2 610 015 051	Dust-Cover Holder
82	2 610 015 020	Key	190	2 610 024 770	Screw
83	2 610 015 021	Nut	191	2 610 015 053	Spring retaining ring
84	2 610 015 022	Workpiece Pusher	192	2 610 014 696	Label
86	2 610 015 023	Support bracket	193	2 610 016 560	Stud bolt
87	2 610 950 418	Screw	194	2 610 016 561	Screw
88	2 610 015 024	Scale	195	2 610 925 187	Nut
124	2 610 998 572	Screw	196	2 610 015 055	Guard Plate
129	1 600 A00 723	Mounting Insert	197	2 610 950 132	Screw
132	1 600 A00 724	Mounting Rail	198	2 610 015 073	Plate
133	2 610 950 108	Screw	202	2 610 015 056	Guard Plate
134	2 610 015 027	Support Plate	203	2 610 950 439	Screw
137	2 610 015 028	Table	204	2 610 015 054	Guard Plate
138	1 600 A00 724	Mounting Rail	205	2 610 016 562	Rod
140	2 610 950 120	Set screw	206	2 610 016 563	Contact strap
141	2 610 911 929	Screw	207	2 610 923 830	Plate
142	2 610 911 901	Self-locking nut	208	2 610 010 404	Screw
143	2 610 911 569	Insert	209	2 610 950 117	Screw



Pos.	Part Number	Description	Pos.	Part Number	Description
210	2 610 015 058	Washer	802	1 600 A01 C81	Motor assembly
211	2 610 911 920	Rubber Bushing	803	2 610 015 092	Armature
212	2 610 015 059	Wrench Socket	880	2 610 015 083	Edge Guide
213	2 610 015 060	Front Panel	881	1 619 PA5 220	Mitre Gauge
215	2 610 347 092	Plain Washer			
217	2 610 015 061	Bushing			
218	2 610 015 062	Handle			
219	2 610 908 272	Nut			
220	2 610 015 359	Screw			
221	1 600 A00 725	Cam			
223	2 610 016 564	Screw			
225	2 610 015 064	Pointer			
226	2 610 015 065	Screw			
227	2 610 013 054	Contact strap			
228	2 610 015 066	Switch Housing			
229	2 610 015 067	Spring			
230	2 610 996 912	Fixing Plate			
231	2 610 015 091	Sliding Rail			
234	2 610 951 945	Screw			
235	2 610 015 068	Washer			
237	2 610 358 857	Washer			
238	2 610 950 047	Arbor			
239	2 610 015 069	Handwheel			
242	2 610 950 059	Handle			
243	2 610 950 060	Screw			
244	2 610 950 389	Washer			
256	2 610 998 580	Screw			
257	2 610 911 896	Nut			
258	2 610 015 070	Screw			
259	2 610 016 565	Contact strap			
261	2 610 015 071	Switch Housing			
262	2 610 015 072	Connecting Cable			
264	2 610 015 074	Rail			
265	2 610 015 075	Washer			
266	2 610 015 076	Device cap			
267	2 610 950 134	Bolt			
269	2 610 015 077	Plate			
270	2 610 015 078	Screw			
271	2 610 017 002	Screw			
273	2 610 015 080	Screw			
274	2 610 950 135	Washer			
275	2 610 016 566	Washer			
278	2 610 950 093	Safety Device			
279	2 610 950 092	Protective Cover			
283	2 610 016 567	Hexagon Socket Wrench			
286	2 610 015 093	Lock			
287	2 610 015 089	Base			
288	2 610 015 087	Riving Knife			
289	2 610 015 090	Gear Housing			
291	2 610 015 362	Screw			
294	2 610 015 081	Label			
295	2 610 015 082	Label			
296	2 610 016 568	Warning Label			
298	1 619 PA8 451	Washer			
299	1 619 PA8 452	Washer			
300	1 619 PA8 453	Label			
301	1 619 PA8 454	Screw			
303	1 619 PA8 581	Seal			