

Table Saw - 3 601 M30 512 - GTS 1031

www.powertools-aftersaleservice.com



BOSCH

Item	Part Number	Description	Illustration	Price	Quantity	Price Group
1	2 610 014 691	Motor Housing	2	-,-	1	32
4	2 610 015 088	On-Off Switch	3	-,-	1	28
5	1 619 PA3 129	Power supply cord	3	-,-	1	32
6	2 610 998 567	Clamp Bushing	2	-,-	1	10
7	2 610 014 693	Cable Clip	1	-,-	1	10
8	1 601 11A 1HX	Nameplate	3	-,-	1	13
10	2 610 024 768	Carbon-Brush Set	2	-,-	1	25
13	2 610 015 747	Ball Bearing	2	-,-	1	26
14	2 610 017 349	groove ball bearing	2	-,-	1	31
16	2 610 013 003	Brush Holder new	2	-,-	2	20
18	2 610 014 695	Screw	3	-,-	4	10
19	2 610 358 928	Screw	2	-,-	4	11
20	2 610 015 358	Label	1	-,-	1	15
22	2 610 014 697	Screw	1	-,-	6	10
25	2 610 014 698	Nut	1	-,-	1	10
26	2 610 996 920	Connecting Nut	1	-,-	1	18
27	2 610 014 699	Handle	1	-,-	1	19
28	2 610 015 000	Cam	1	-,-	1	23
29	2 610 015 001	Washer	1	-,-	5	10
30	2 610 015 002	Spring retaining ring	1	-,-	2	10
33	2 610 015 004	Rod	1	-,-	1	17
34	2 610 015 005	Table top	2	-,-	1	32
35	2 610 015 006	Retaining Plate	2	-,-	2	12
36	2 610 910 015	Collar bolt	2	-,-	4	14
37	2 610 355 325	Spring Washer	2	-,-	4	10
38	2 610 910 013	Washer	2	-,-	6	12
39	2 610 015 008	Nut	2	-,-	4	10
40	2 610 015 009	Handle	1	-,-	2	18
41	2 610 015 010	Pointer	1	-,-	1	11
42	2 610 950 077	Screw	1	-,-	3	10
44	2 610 023 173	Pad	2	-,-	2	12
72	2 610 950 069	Screw	1	-,-	6	10
73	2 610 015 011	Washer	1	-,-	2	10

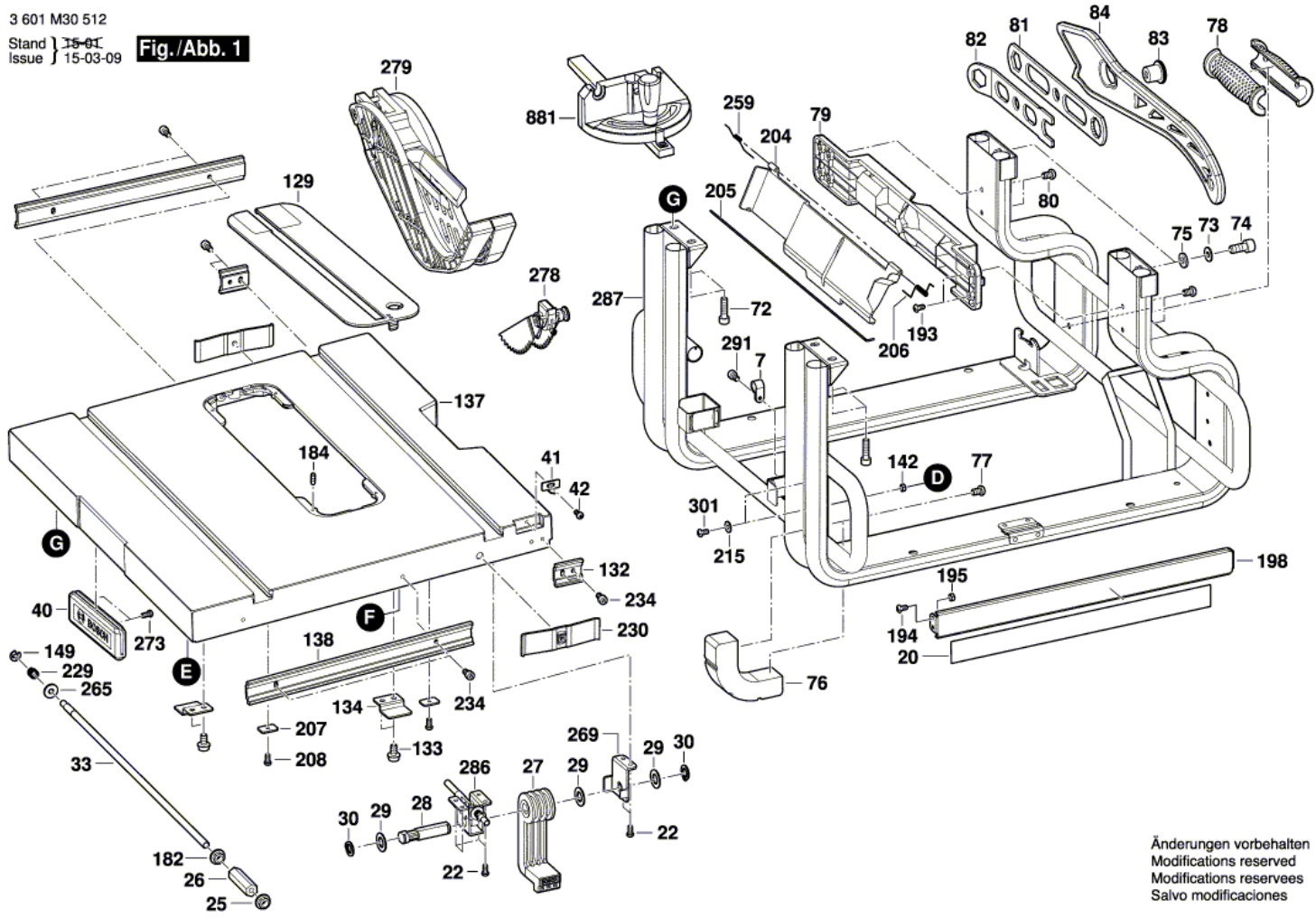
Item	Part Number	Description	Illustration	Price	Quantity	Price Group
74	2 610 015 012	Bolt	1	-,-	2	10
75	2 610 925 438	Washer	1	-,-	2	10
76	2 610 015 014	Supporting foot	1	-,-	4	17
77	2 610 015 015	Screw	1	-,-	8	10
78	2 610 015 016	Handle	1	-,-	1	24
79	2 610 015 017	Holding Plate	1	-,-	1	25
80	2 610 015 018	Screw	1	-,-	4	10
81	2 610 015 019	Key	1	-,-	1	21
82	2 610 015 020	Key	1	-,-	1	20
83	2 610 015 021	Nut	1	-,-	1	11
84	2 610 015 022	Workpiece Pusher	1	-,-	1	19
86	2 610 015 023	Support bracket	3	-,-	1	11
87	2 610 950 418	Screw	3	-,-	2	10
88	2 610 015 024	Scale	2	-,-	1	11
124	2 610 998 572	Screw	3	-,-	1	10
129	1 600 A00 723	Mounting Insert	1	-,-	1	28
132	1 600 A00 724	Mounting Rail	1	-,-	2	12
133	2 610 950 108	Screw	1	-,-	5	10
134	2 610 015 027	Support Plate	1	-,-	2	10
137	2 610 015 028	Table	1	-,-	1	50
138	1 600 A00 724	Mounting Rail	1	-,-	2	12
140	2 610 950 120	Set screw	2	-,-	2	10
141	2 610 911 929	Screw	2	-,-	2	10
142	2 610 911 901	Self-locking nut	1	-,-	6	11
143	2 610 911 569	Insert	2	-,-	2	13
144	2 610 013 160	Bearing Housing	2	-,-	1	10
145	2 610 015 029	Baffle	2	-,-	1	12
146	2 610 015 030	End cap	2	-,-	2	11
147	2 610 955 233	Brush-Cover	2	-,-	2	11
149	2 610 015 031	Spring retaining ring	1	-,-	1	10
150	2 610 015 032	Spindle Housing	2	-,-	1	13
151	2 610 908 271	Tapping Screw	2	-,-	3	11
152	2 610 997 210	Ball Bearing	2	-,-	1	26
153	2 610 997 282	Spring retaining ring	2	-,-	2	10
154	2 610 015 033	Spindle	2	-,-	1	29
155	2 610 012 984	Woodruff Key	2	-,-	1	10
156	2 610 012 985	Reduction Gear	2	-,-	1	26
158	2 610 998 573	Spring retaining ring	2	-,-	1	10
159	2 610 950 427	Set screw	2	-,-	1	10
160	2 610 015 034	Bearing Plate	2	-,-	1	16
161	2 610 950 126	Mounting Bracket	3	-,-	1	21
162	2 610 950 070	Bushing	3	-,-	2	10
163	2 610 015 035	Support bracket	3	-,-	1	21
165	2 610 015 036	Holding Plate	3	-,-	1	40
166	2 610 015 037	Rod	3	-,-	2	22
167	2 610 015 038	Bolt	3	-,-	4	11
168	2 610 015 039	Washer	3	-,-	4	10
169	2 610 015 040	Support Plate	3	-,-	1	16
170	2 610 950 055	Screw	3	-,-	4	10
171	2 610 015 041	Rod	2	-,-	1	20
172	2 610 015 042	Bevel Gear	3	-,-	2	13
173	2 610 013 162	Washer	3	-,-	1	10
174	2 610 015 043	Bushing	3	-,-	1	10

Item	Part Number	Description	Illustration	Price	Quantity	Price Group
175	2 610 015 044	Washer	3	-,-	2	10
177	2 610 015 045	Screw	3	-,-	2	10
178	2 610 015 046	Shaft	3	-,-	1	19
179	2 610 015 047	Support Plate	3	-,-	1	17
180	2 610 015 048	Bushing	3	-,-	1	10
181	2 610 016 557	Washer	3	-,-	2	10
182	2 610 016 558	Nut	1	-,-	1	10
183	2 610 015 049	Bushing	3	-,-	1	20
184	2 610 013 053	Set screw	1	-,-	4	10
185	2 610 016 559	Screw	3	-,-	4	10
186	2 610 015 050	Cover	3	-,-	1	25
187	2 610 950 049	Screw	3	-,-	5	10
189	2 610 015 051	Dust-Cover Holder	3	-,-	1	22
190	2 610 024 770	Screw	3	-,-	1	10
191	2 610 015 053	Spring retaining ring	3	-,-	1	10
192	2 610 014 696	Label	3	-,-	1	13
193	2 610 016 560	Stud bolt	1	-,-	2	10
194	2 610 016 561	Screw	1	-,-	2	10
195	2 610 925 187	Nut	1	-,-	2	10
196	2 610 015 055	Guard Plate	3	-,-	1	11
197	2 610 950 132	Screw	3	-,-	2	10
198	2 610 015 073	Plate	1	-,-	1	21
202	2 610 015 056	Guard Plate	2	-,-	1	12
203	2 610 950 439	Screw	2	-,-	2	10
204	2 610 015 054	Guard Plate	1	-,-	1	21
205	2 610 016 562	Rod	1	-,-	1	10
206	2 610 016 563	Contact strap	1	-,-	1	10
207	2 610 923 830	Plate	1	-,-	2	10
208	2 610 010 404	Screw	1	-,-	2	10
209	2 610 950 117	Screw	3	-,-	1	10
210	2 610 015 058	Washer	3	-,-	1	10
211	2 610 911 920	Rubber Bushing	3	-,-	1	10
212	2 610 015 059	Wrench Socket	3	-,-	1	11
213	2 610 015 060	Front Panel	3	-,-	1	34
215	2 610 347 092	Plain Washer	1	-,-	4	10
217	2 610 015 061	Bushing	3	-,-	1	13
218	2 610 015 062	Handle	3	-,-	1	20
219	2 610 908 272	Nut	3	-,-	1	10
220	2 610 015 359	Screw	3	-,-	1	10
221	1 600 A00 725	Cam	3	-,-	2	12
223	2 610 016 564	Screw	3	-,-	2	10
225	2 610 015 064	Pointer	3	-,-	1	12
226	2 610 015 065	Screw	3	-,-	1	10
227	2 610 013 054	Contact strap	3	-,-	1	10
228	2 610 015 066	Switch Housing	3	-,-	1	18
229	2 610 015 067	Spring	1	-,-	1	10
230	2 610 996 912	Fixing Plate	1	-,-	2	18
231	2 610 015 091	Sliding Rail	2	-,-	1	37
234	2 610 951 945	Screw	1	-,-	9	10
235	2 610 015 068	Washer	3	-,-	1	22
237	2 610 358 857	Washer	3	-,-	1	17
238	2 610 950 047	Arbor	3	-,-	1	11
239	2 610 015 069	Handwheel	3	-,-	1	22

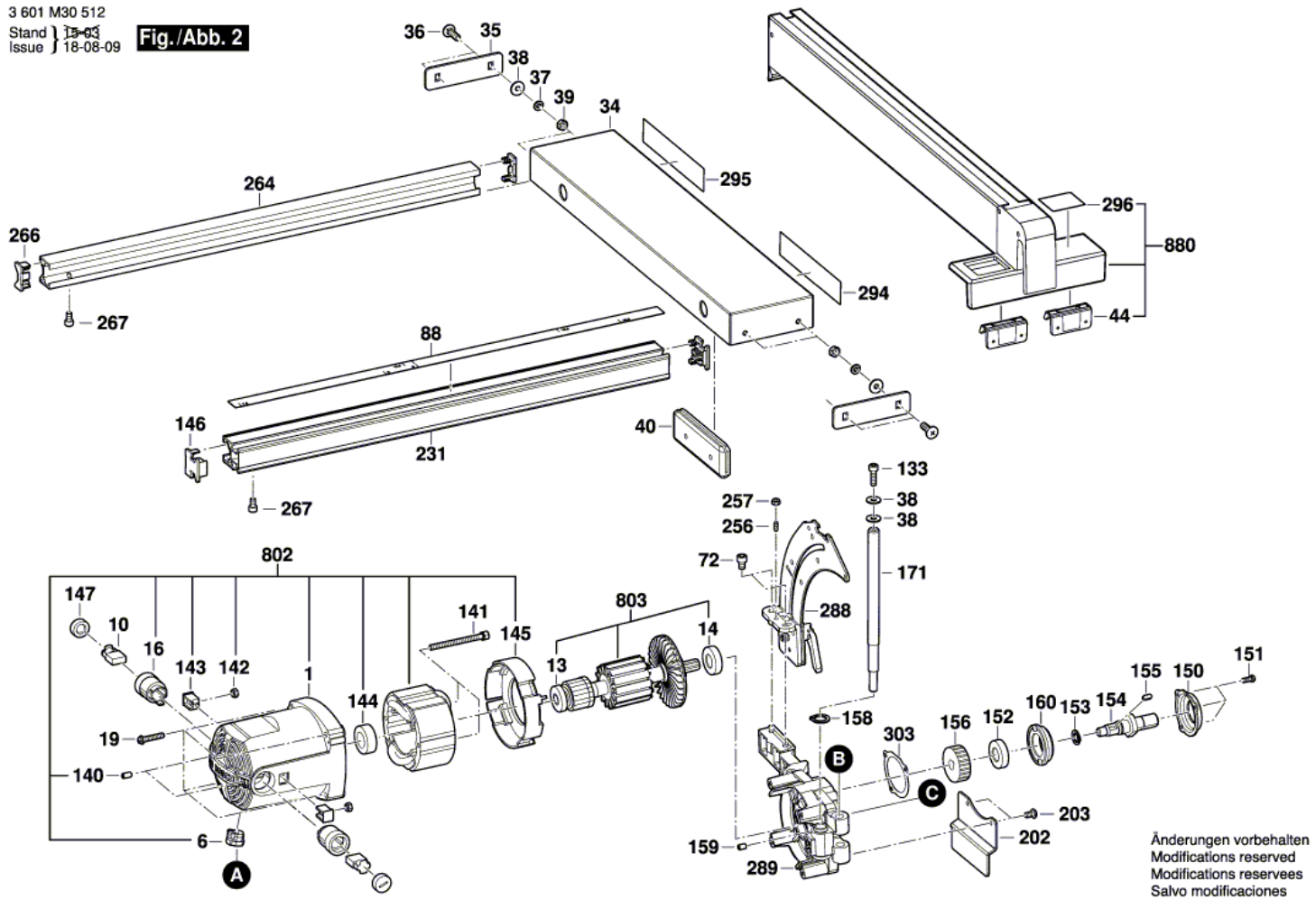
Item	Part Number	Description	Illustration	Price	Quantity	Price Group
242	2 610 950 059	Handle	3	-,-	1	10
243	2 610 950 060	Screw	3	-,-	1	12
244	2 610 950 389	Washer	3	-,-	5	10
256	2 610 998 580	Screw	2	-,-	2	10
257	2 610 911 896	Nut	2	-,-	1	10
258	2 610 015 070	Screw	3	-,-	1	10
259	2 610 016 565	Contact strap	1	-,-	1	10
261	2 610 015 071	Switch Housing	3	-,-	1	13
262	2 610 015 072	Connecting Cable	3	-,-	1	20
264	2 610 015 074	Rail	2	-,-	1	36
265	2 610 015 075	Washer	1	-,-	1	10
266	2 610 015 076	Device cap	2	-,-	2	10
267	2 610 950 134	Bolt	2	-,-	1	10
269	2 610 015 077	Plate	1	-,-	1	15
270	2 610 015 078	Screw	3	-,-	4	10
271	2 610 017 002	Screw	3	-,-	10	10
273	2 610 015 080	Screw	1	-,-	2	10
274	2 610 950 135	Washer	3	-,-	1	10
275	2 610 016 566	Washer	3	-,-	1	10
278	2 610 950 093	Safety Device	1	-,-	1	33
279	2 610 950 092	Protective Cover	1	-,-	1	43
283	2 610 016 567	Hexagon Socket Wrench	3	-,-	1	11
286	2 610 015 093	Lock	1	-,-	1	34
287	2 610 015 089	Base	1	-,-	1	49
288	2 610 015 087	Riving Knife	2	-,-	1	37
289	2 610 015 090	Gear Housing	2	-,-	1	38
291	2 610 015 362	Screw	1	-,-	1	10
294	2 610 015 081	Label	2	-,-	1	13
295	2 610 015 082	Label	2	-,-	1	13
296	2 610 016 568	Warning Label	2	-,-	1	13
298	1 619 PA8 451	Washer	3	-,-	1	10
299	1 619 PA8 452	Washer	3	-,-	1	10
300	1 619 PA8 453	Label	3	-,-	1	13
301	1 619 PA8 454	Screw	1	-,-	4	10
303	1 619 PA8 581	Seal	2	-,-	1	11
802	1 600 A01 C81	Motor assembly	2	-,-	1	-
803	2 610 015 092	Armature 120V	2	-,-	1	44
880	2 610 015 083	Edge Guide	2	-,-	1	45
881	1 619 PA5 220	Mitre Gauge	1	-,-	1	29

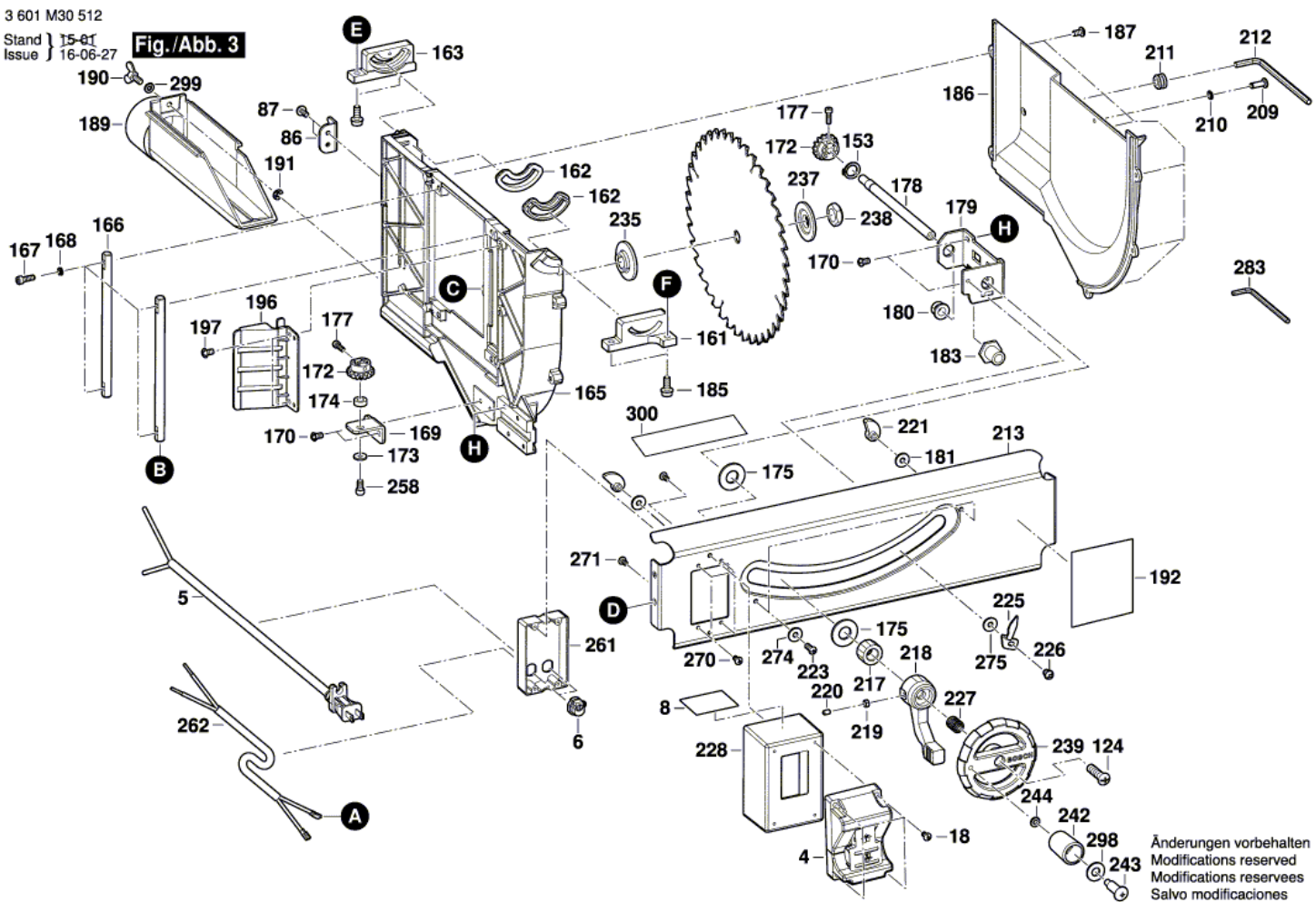
3 601 M30 512
 Stand } 15-01
 Issue } 15-03-09

Fig./Abb. 1



Änderungen vorbehalten
 Modifications reserved
 Modificaciones reservées
 Salvo modificaciones





Information subject to change without further notice.