



BOSCH

Drywall sander

GTR 550 | 3 601 GD4 080

Table of Content

Spare parts list.....	2
Illustration - Type.....	6

Spare parts list

Item	Part Number	Description	Illustration	Price	Quantity	Price Group
27	1 619 PB5 958	Tapping Screw ST4x16	1	-	42	
43	1 619 PB5 974	Cross Recessed-Head Screw M4x16	1	-	6	
61	1 619 PB5 986	Corrugated Pipe	1	-	1	
62	1 619 PB5 987	locking ring	1	-	1	
63	1 619 PB5 988	Control Housing	1	-	1	
64	1 619 PB5 989	Valve Insert	1	-	1	
65	1 619 PB5 990	Housing Cover	1	-	1	
69	1 619 PB5 994	Corrugated Pipe	1	-	1	
70	1 619 PB5 995	Cross Recessed-Head Screw	1	-	4	
71	1 619 PB5 996	Spring	1	-	4	
72	1 619 PB5 997	Covering hood	1	-	1	
73	1 619 PB5 998	Pressure Plate	1	-	1	
74	1 619 PB5 999	Strip brush	1	-	1	
75	1 619 PB6 000	Strip brush	1	-	1	
77	1 619 PB6 087	Tapping Screw ST4x14	1	-	6	
141	1 619 PB6 044	Protective Suit	1	-	1	
142	1 619 PB6 045	Threaded Bushing	1	-	1	
143	1 619 PB6 046	Seal Ring	1	-	1	
144	1 619 PB6 047	Spring	1	-	1	
145	1 619 PB6 048	Glide Bushing	1	-	1	
146	1 619 PB6 049	Hose Coupling	1	-	1	
151	1 619 PB6 052	Backing Pad	1	-	1	
152	1 619 PB6 053	Intermediate Layer	1	-	1	
154	1 619 PB6 055	Socket head cap screw M6x14	1	-	1	
651	1 619 PB6 075	Hexagon Socket Screw Key	1	-	1	
655	1 607 000 E5X	Rubber Backing Pad	1	-	1	
656	1 619 PB6 056	Backing Pad	1	-	1	
691/1	1 619 PB6 089	Latch	1	-	2	
691/2	1 619 PB6 090	Handle	1	-	1	
866	1 619 PB6 085	operation button	1	-	1	
888	1 607 000 E8U	Connector GTR550	1	-	1	
1	1 619 PB5 941	Motor Housing	2	-	1	
2	1 619 PB5 942	Field 220-240V	2	-	1	
3	1 619 PB5 943	Armature 220-240V	2	-	1	
7	1 619 PB6 021	Fastening Clamp	2	-	2	

* Prices shown are suggested retail prices

Spare parts list

Item	Part Number	Description	Illustration	Price	Quantity	Price Group
8	1 619 PB5 947	Nameplate CN 220V	2	-	1	
9	1 619 PB5 948	Manufacturer's nameplate GTR 550	2	-	1	
13	1 619 PB5 950	groove ball bearing 607-2RS	2	-	1	
19	1 619 PB5 952	Fastening Clamp	2	-	1	
21	1 619 PB6 082	Tapping Screw ST4x45	2	-	2	
22	1 619 PB5 953	Bearing Flange	2	-	1	
23	1 619 PB5 954	Magnet	2	-	1	
24	1 619 PB5 955	Mounting Sleeve	2	-	1	
25	1 619 PB5 956	Air-Deflector Ring	2	-	1	
26	1 619 PB5 957	Grommet	2	-	2	
28	1 619 PB5 959	Housing Cover	2	-	1	
29	1 619 PB5 960	Electronic Assembly 220-240V	2	-	1	
31	1 619 PB5 962	Workpiece support	2	-	1	
32	1 619 PB5 963	Housing Cover	2	-	1	
33	1 619 PB5 964	Housing Cover	2	-	1	
34	1 619 PB5 965	Needle bearing HK1012	2	-	1	
35	1 619 PB5 966	Gear Housing	2	-	1	
36	1 619 PB5 967	groove ball bearing 606-2Z	2	-	2	
37	1 619 PB5 968	Retaining ring	2	-	1	
38	1 619 PB5 969	Crown Gear	2	-	1	
39	1 619 PB5 970	Transmission Shaft	2	-	1	
40	1 619 PB5 971	Retaining ring	2	-	1	
41	1 619 PB5 972	groove ball bearing 699	2	-	1	
42	1 619 PB5 973	Bearing Flange	2	-	1	
44	1 619 PB5 975	Woodruff Key	2	-	1	
45	1 619 PB5 976	Retaining ring Ø10	2	-	1	
46	1 619 PB5 977	Cylindrical Gear	2	-	1	
47	1 619 PB5 978	Sealing Disc	2	-	1	
48	1 619 PB5 979	Bearing Flange	2	-	1	
49	1 619 PB5 980	Sealing Plate	2	-	1	
50	1 619 PB5 981	Output Shaft	2	-	1	
51	1 619 PB5 982	groove ball bearing NSK 6900-2RS	2	-	1	
52	1 619 PB5 983	Retaining ring	2	-	1	
53	1 619 PB5 984	Dust seal	2	-	1	
54	1 619 PB5 985	Flat Key	2	-	1	

* Prices shown are suggested retail prices

Spare parts list

Item	Part Number	Description	Illustration	Price	Quantity	Price Group
55	1 619 PB6 017	Countersunk-Head Screw	2	-	10	
56	1 619 PB6 018	Cross Recessed-Head Screw M4x25	2	-	4	
57	1 619 PB6 084	Inductor	2	-	2	
58	1 607 000 E8V	Spring	2	-	1	
81	1 619 PB6 001	Support Frame	2	-	1	
82	1 619 PB6 002	Connection Cable H05RN-F, 0.75mm ² x2	2	-	1	
83	1 619 PB6 003	Aluminum Tubing	2	-	1	
84	1 619 PB6 004	plastic covering	2	-	2	
88	1 619 PB6 008	plug-in connector	2	-	2	
89	1 619 PB6 009	Cam	2	-	4	
90	1 619 PB6 010	hand lever	2	-	2	
91	1 619 PB6 011	Cross Recessed-Head Screw	2	-	28	
92	1 619 PB6 012	Mounting Bracket	2	-	2	
94	1 619 PB6 083	Screw	2	-	4	
95	1 619 PB6 014	Hook	2	-	4	
96	1 619 PB6 015	Connecting piece	2	-	2	
97	1 619 PB6 016	Countersunk-Head Screw	2	-	4	
131	1 619 PB6 040	Rubber Buffer	2	-	2	
132	1 619 PB6 041	bushing	2	-	2	
133	1 619 PB6 042	knob sleeve	2	-	1	
134	1 619 PB6 043	Straight Pin	2	-	2	
135	1 619 PB6 086	Spring	2	-	1	
147	1 619 PB6 050	Corrugated Pipe	2	-	1	
148	1 619 PB6 051	Hose Coupling	2	-	1	
810	1 607 000 E7H	Carbon-Brush Set Fuji GPA 418S2P	2	-	1	
817	1 619 PB6 081	Pressure Plate	2	-	1	
4	1 619 PB5 944	Switch	3	-	1	
5	1 619 PB5 945	Power supply cord 1.0mm ² x3, 4m, CN	3	-	1	
6	1 619 PB5 946	Grommet	3	-	1	
101	1 619 PB6 019	Switch Button	3	-	1	
102	1 619 PB6 020	Adjusting Slide	3	-	1	
104	1 619 PB6 022	Cantilever	3	-	1	
105	1 619 PB6 023	Handle	3	-	1	
106	1 619 PB6 024	Connection Cable H05RN-F, 0.75mm ² x2	3	-	1	
107	1 619 PB6 025	Speed governor 220-240V	3	-	1	

* Prices shown are suggested retail prices

Spare parts list

Item	Part Number	Description	Illustration	Price	Quantity	Price Group
109	1 619 PB6 027	Flow Governor	3	-	1	
110	1 619 PB6 028	Intermediate housing	3	-	1	
111	1 619 PB6 029	Socket housing	3	-	2	
112	1 619 PB6 030	plastic covering	3	-	2	
113	1 619 PB6 031	Aluminum Tubing	3	-	1	
114	1 619 PB6 032	Hose Coupling	3	-	1	
116	1 619 PB6 034	Mounting Bracket	3	-	2	
117	1 619 PB6 035	Cam Shaft	3	-	2	
118	1 619 PB6 036	Cam	3	-	4	
120	1 619 PB6 037	plastic covering	3	-	2	
121	1 619 PB6 038	Shim ring	3	-	4	
122	1 619 PB6 039	Felt Pad	3	-	4	
123	1 619 PB6 006	Aluminum Tubing	3	-	1	
124	1 619 PB6 007	Connection Cable H05RN-F, 0.75mm ² x2	3	-	1	
125	1 607 000 EH5	Connection Cable PVC, 0.5mm ² ,	3	-	1	
156	1 607 000 E57	Handle Bar	3	-	1	
161	1 619 PB6 061	Nameplate CN 220V	3	-	1	
162	1 619 PB6 066	Manufacturer's nameplate GTR 550	3	-	1	
657	1 619 PB6 088	Clip	3	-	3	
658	1 607 000 F2K	Vacuum Adapter	3	-	1	

* Prices shown are suggested retail prices

Illustration - Type - E

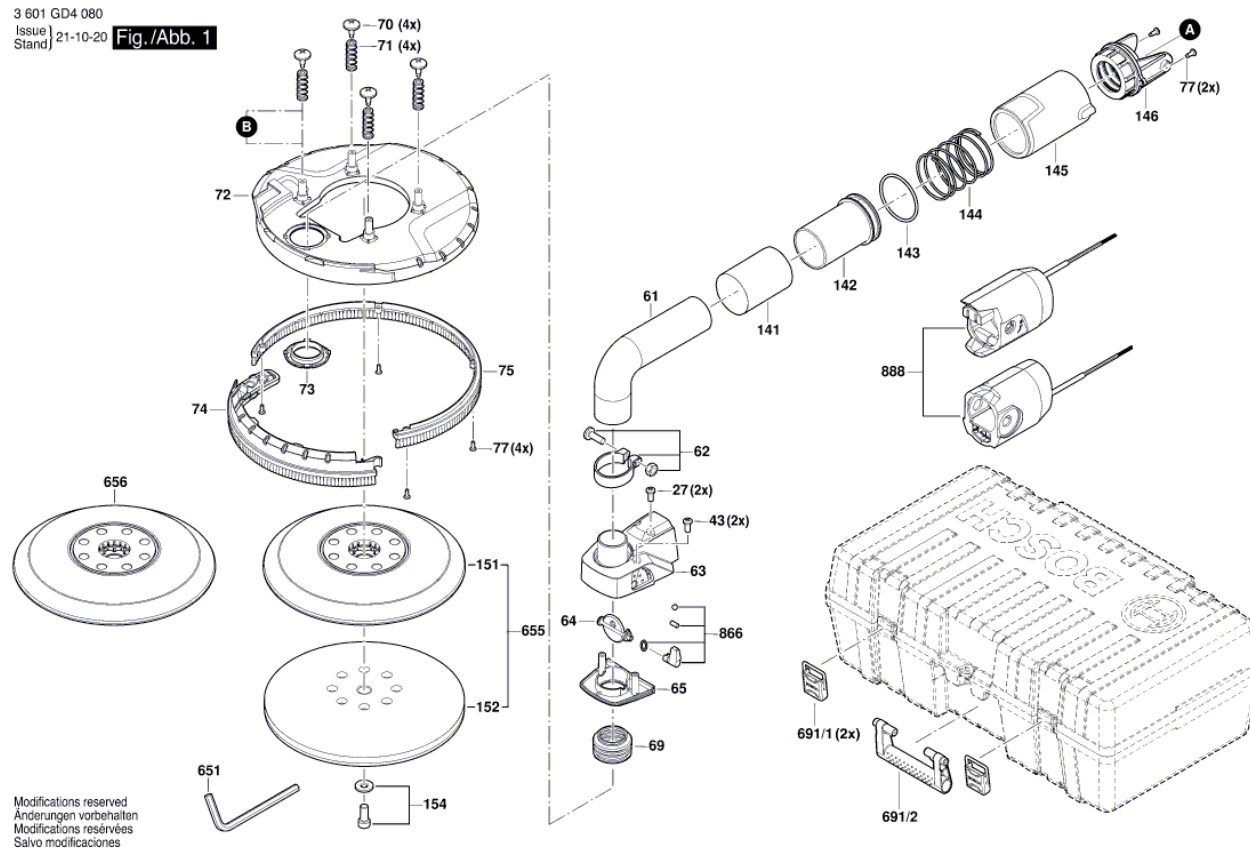
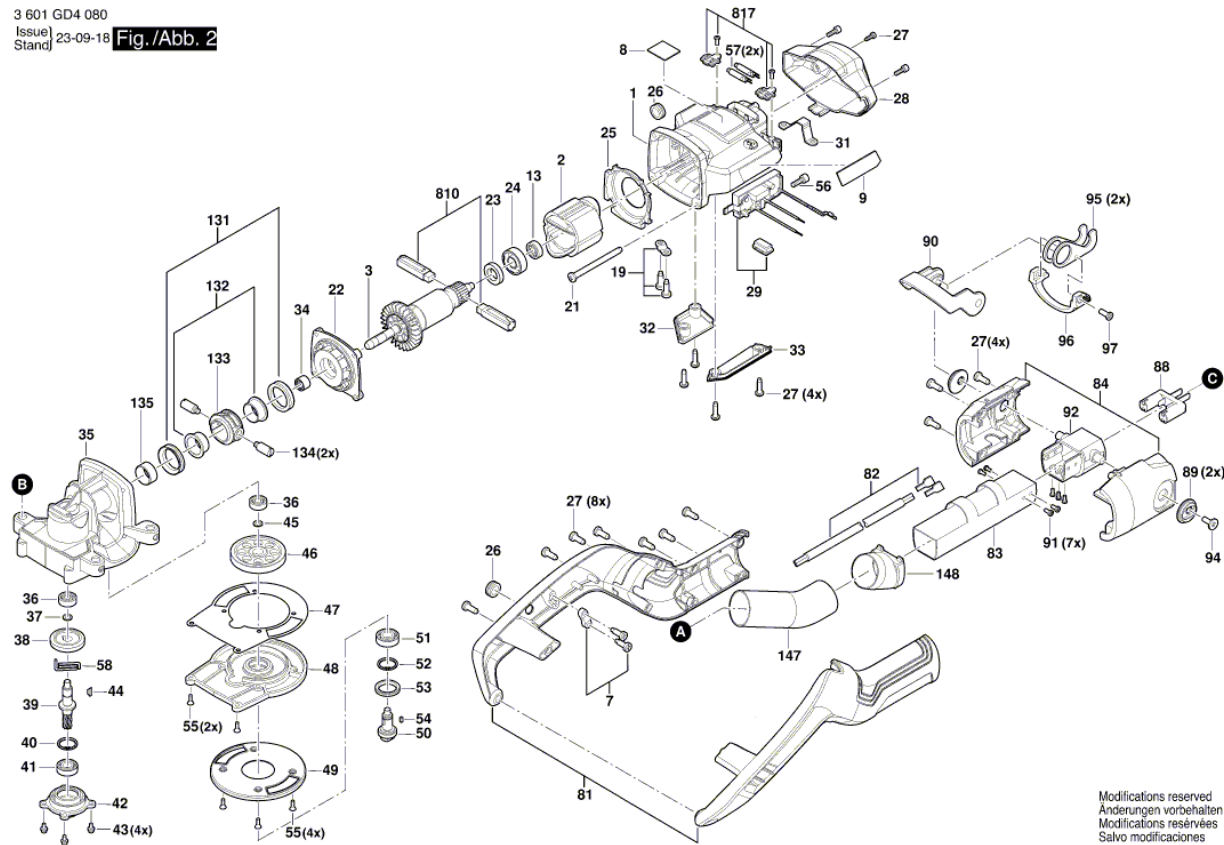


Illustration - Type - E

3 601 GD4 080
 Issue | 23-09-18
 Stand | **Fig./Abb. 2**



Modifications reserved
 Änderungen vorbehalten
 Modifications réservées
 Salvo modificaciones

Illustration - Type - E

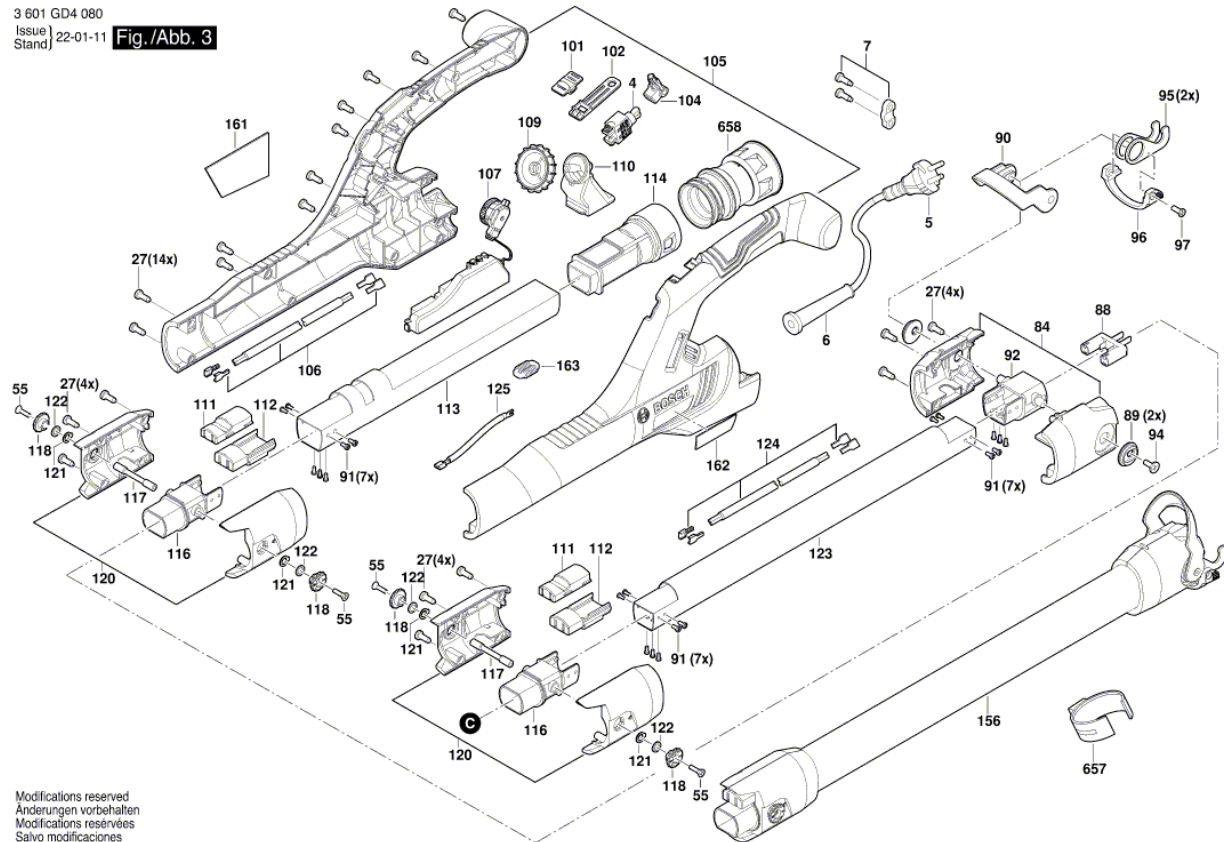
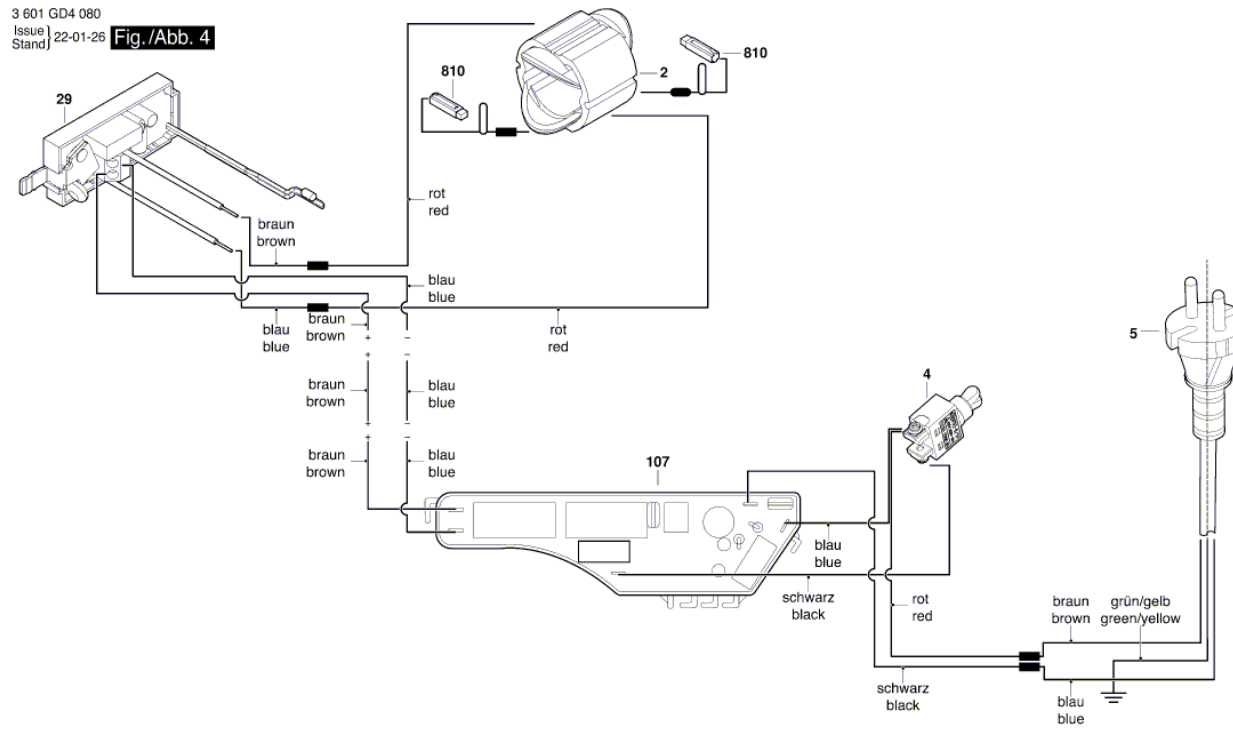


Illustration - Type - E



Modifications reserved
 Änderungen vorbehalten
 Modifications réservées
 Salvo modificaciones