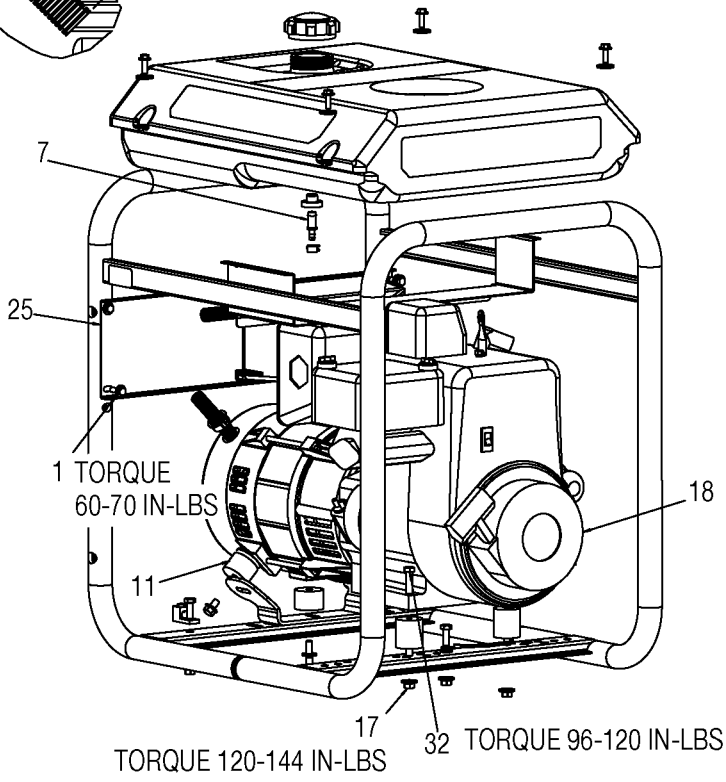
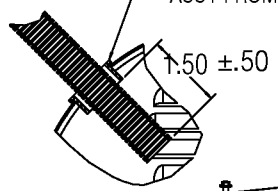
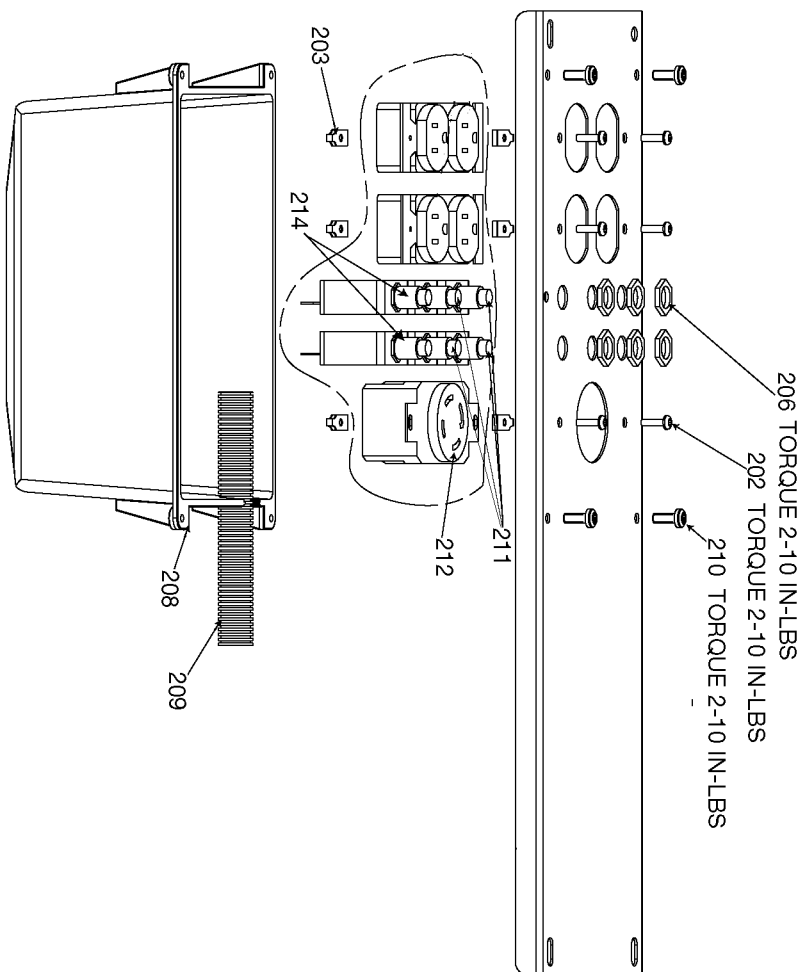


26 INSTALL 28 PRIOR TO INSTALLATION TO WIRE HARNESS  
ASSY FROM 25 AFTER WIRE HARNESS IS INSERTED THROUGH



TORQUE 120-144 IN-LBS

32 TORQUE 96-120 IN-LBS



## Parts List for GTO5200C-WK Type 1

Item Number	Part Number	Description	Qty Required
1	91895680	SCREW .250-20X.750 H	8
2	Z-GS-0795	TANK FUEL 7G SS	1
3	GS-0443	CAP FUEL TANK	1
4	Z-A14582	HOSE FUEL	1
5	GS-0227	CLAMP FUEL .50	1
6	N103455	GROMMET	1
7	GS-0437	DRAIN COCK	1
8	000000-00	No Longer Available	1
8	GS-0872	RESISTOR 10K OHM	2
8	GS-0871	DIODE 10AMP 1000V	2
9	GS-0077	COVER END BLANK	1
10	SSF-553-1	SCREW #10-24X.563 TH	1
11	GS-0033	ISOLATOR VIBRATION 1	1
12	GS-0433	ISOLATOR	1
14	GS-0117	LUG GROUND	1
15	D22311	SCREW .313-18X.875 U	1
16	000000-00	No Longer Available	1
17	SSF-8150	NUT .312-18 UNC HEX	1
18	000000-00	No Longer Available	1
19	N017772	LOCK WASHER	1
20	GS-0118	STRAP GROUND	1
25	000000-00	No Longer Available	1
26	GS-0199	BUSHING SNAP 1 OD	1
30	GS-0513	FUEL FILTER TEC 8 &	1
32	5140123-06	SCREW	1
33	SSN-632	WASHER .875 OD .375	1
37	GS-0763	CLIP SNAP-IN FUEL LI	1

## Parts List for GTO5200C-WK Type 1

Item Number	Part Number	Description	Qty Required
47	000000-00	No Longer Available	1
202	SSF-583	SCREW #6-32X.500 PAN	1
203	SSF-584	NUT #6-32 SPEED SELF	1
206	SSF-595	NUT .438-28 UNEF HEX	1
208	D25706	COVER PANEL MINI W/C	1
209	GS-0605	PANEL WIRE HARNESS G	1
210	SSF-3156	SCREW #10-9X.500 THD	1
211	Z-GS-0024	BREAKER CIRCUIT 125/	1
212	GS-0455	RECEPTACLE 4 PRONG 3	1
214	Z-D20573	BREAKER CIRCUIT 125/	1