



**BOSCH**

# Laser Level

GTL3 | 3 601 K15 210

---

## Table of Content

Spare parts list.....	2
Illustration - Type.....	3

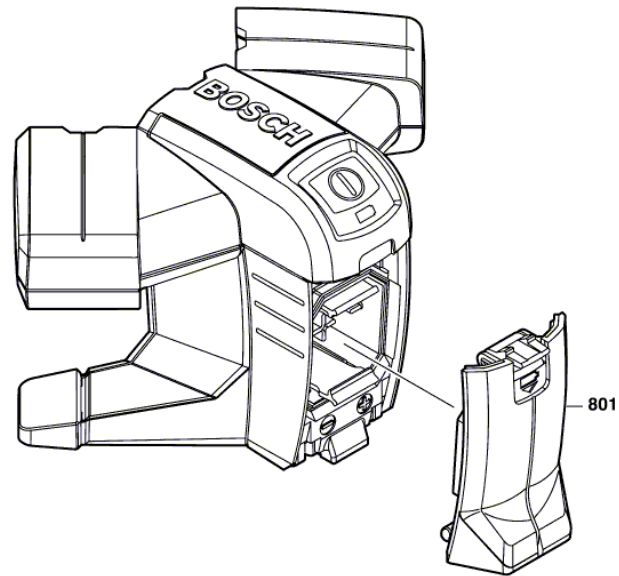
**Spare parts list**

<b>Item</b>	<b>Part Number</b>	<b>Description</b>	<b>Illustration</b>	<b>Price</b>	<b>Quantity</b>	<b>Price Group</b>
801	1 609 203 X73	Battery Cover	1	-	1	

\* Prices shown are suggested retail prices

Illustration - Type - E

3 601 K15 200  
Issue |  
Stand | 09-01-20 **Fig./Abb. 1**



Änderungen vorbehalten  
Modifications reserved  
Modifications réservées  
Salvo modificaciones