

GTH250

Spare parts

Ersatzteile

Pièces détachées

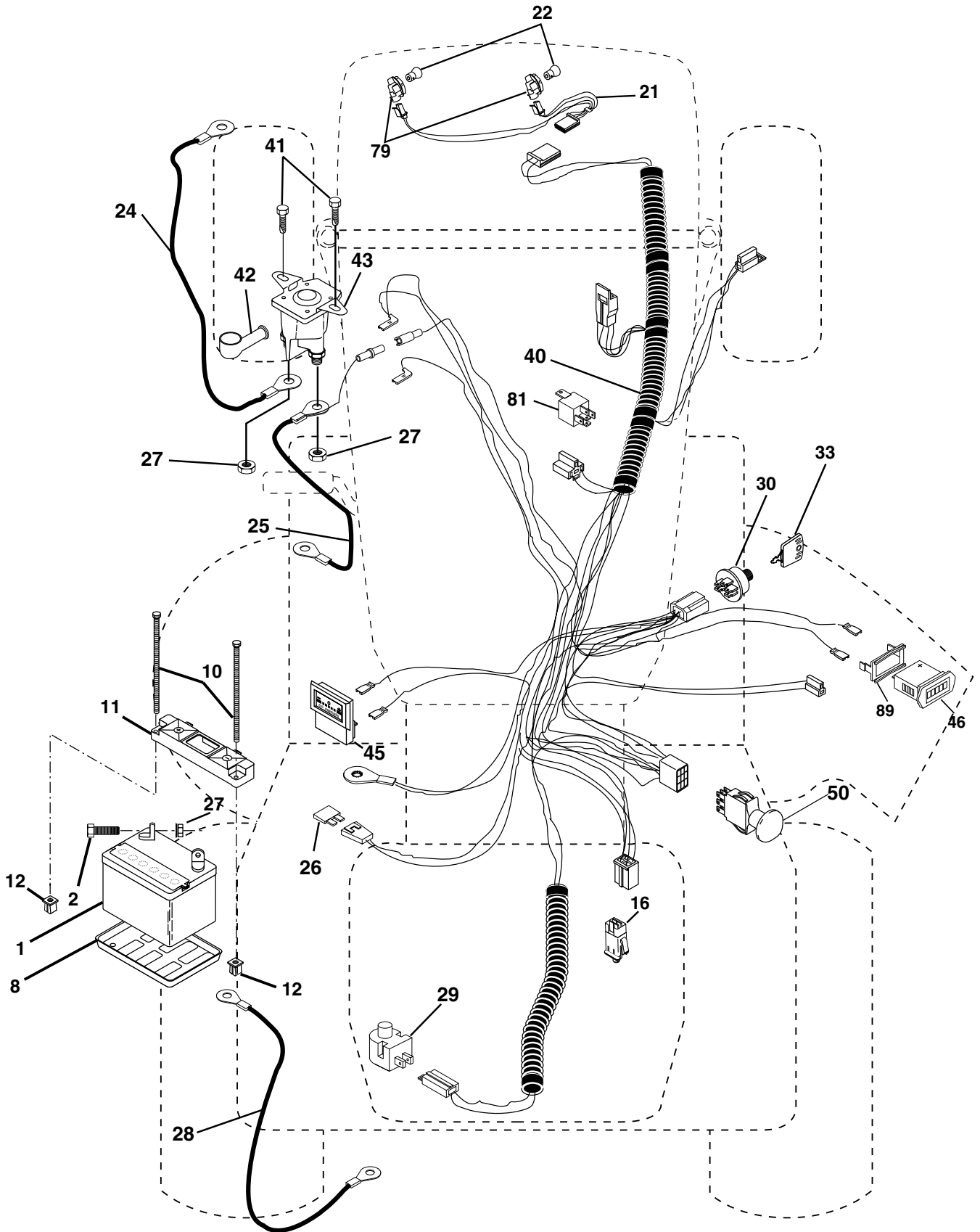
Reserve onderdelen

Repuestos

Reservdelar

REPAIR PARTS

TRACTOR - - MODEL NO. GTH250 (HEGTH250A) PRODUCT NO. 954 17 00-55
ELECTRICAL



REPAIR PARTS

TRACTOR - - MODEL NO. GTH250 (HEGTH250A) PRODUCT NO. 954 17 00-55

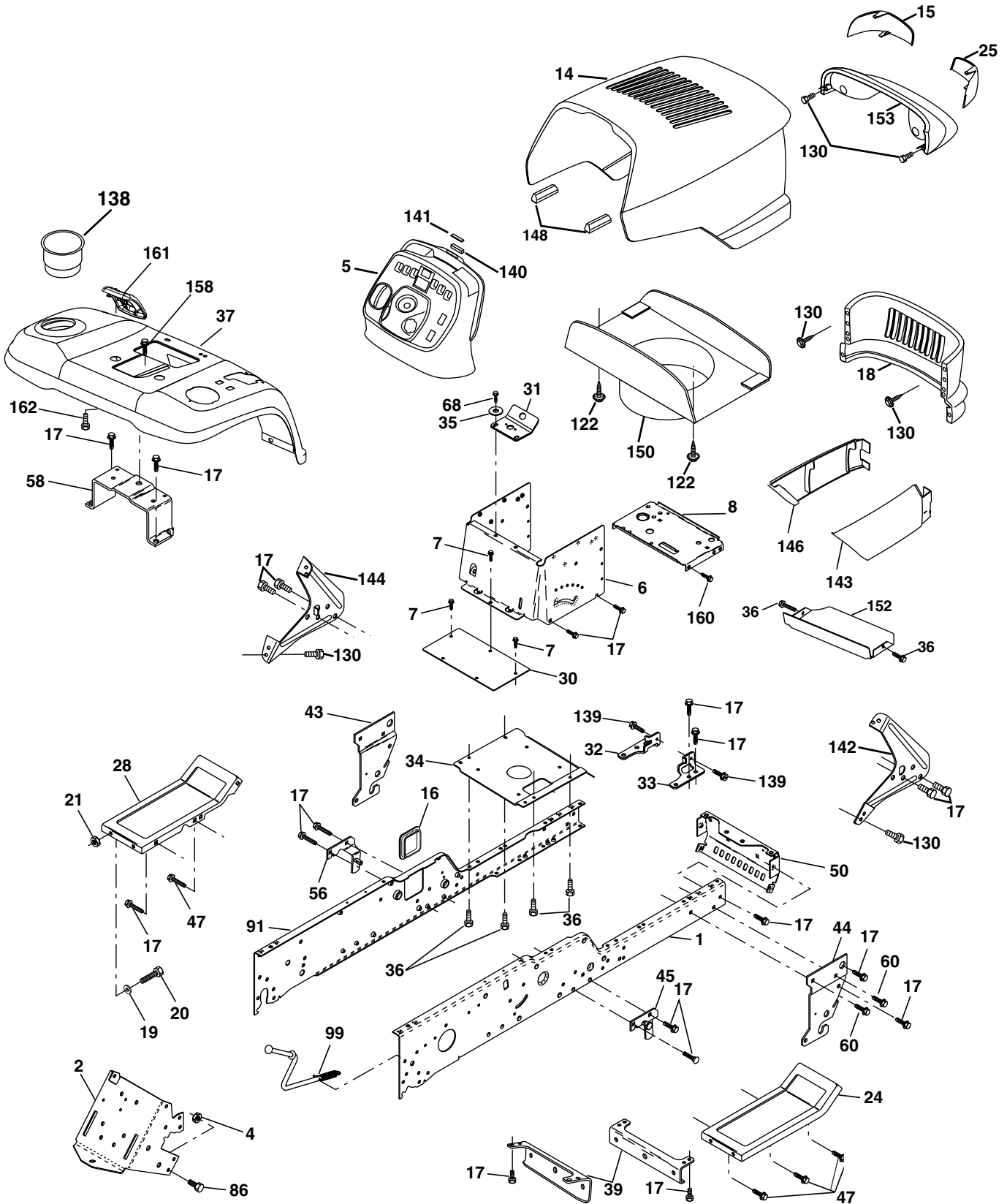
ELECTRICAL

| KEY NO. | PART NO. | DESCRIPTION |
|---------|--------------|---------------------------------------|
| 1 | 532 14 49-27 | Battery |
| 2 | 874 76 04-12 | Bolt Hex Head 1/4-20 x 3/4 |
| 8 | 532 12 48-86 | Tray, Battery |
| 10 | 532 14 52-11 | Bolt, Battery Front 1/4-20 x 7.5 Zinc |
| 11 | 532 15 01-09 | Holddown Battery Front Mount |
| 12 | 532 14 57-69 | Nut, Push Nylon 1.4" Battery Front |
| 16 | 532 17 61-38 | Switch Interlock Push-In |
| 21 | 532 17 56-88 | Harness Socket Light w/4152J |
| 22 | 532 00 41-52 | Bulb Light |
| 24 | 532 12 47-70 | Cable Battery |
| 25 | 532 14 61-49 | Cable |
| 26 | 532 10 88-24 | Fuse |
| 27 | 873 51 04-00 | Nut Keps Hex 1/4-20 |
| 28 | 532 17 06-97 | Cable Bolt Ground |
| 29 | 532 16 07-84 | Switch, Plunger Normal Op Olive |
| 30 | 532 17 55-66 | Switch, Ign |
| 33 | 532 14 04-01 | Key |
| 40 | 532 17 02-38 | Harness Ign. |
| 41 | 817 72 04-08 | Screw 1/4-20 x 1/2 |
| 42 | 532 13 15-63 | Cover, Terminal Red |
| 43 | 532 17 88-61 | Solenoid |
| 45 | 532 12 28-22 | Ammeter |
| 46 | 532 16 96-35 | Hourmeter Snap-In |
| 50 | 532 17 46-51 | Switch, PTO |
| 79 | 532 17 52-42 | Bulbholder Asm |
| 81 | 532 10 97-48 | Relay Asm. |
| 89 | 532 16 96-39 | Bracket Snap-In Hourmeter |

NOTE: All component dimensions given in U.S. inches
1 inch = 25.4 mm

REPAIR PARTS

TRACTOR - - MODEL NO. GTH250 (HEGTH250A) PRODUCT NO. 954 17 00-55
CHASSIS AND ENCLOSURES



REPAIR PARTS

TRACTOR - - MODEL NO. GTH250 (HEGTH250A) PRODUCT NO. 954 17 00-55

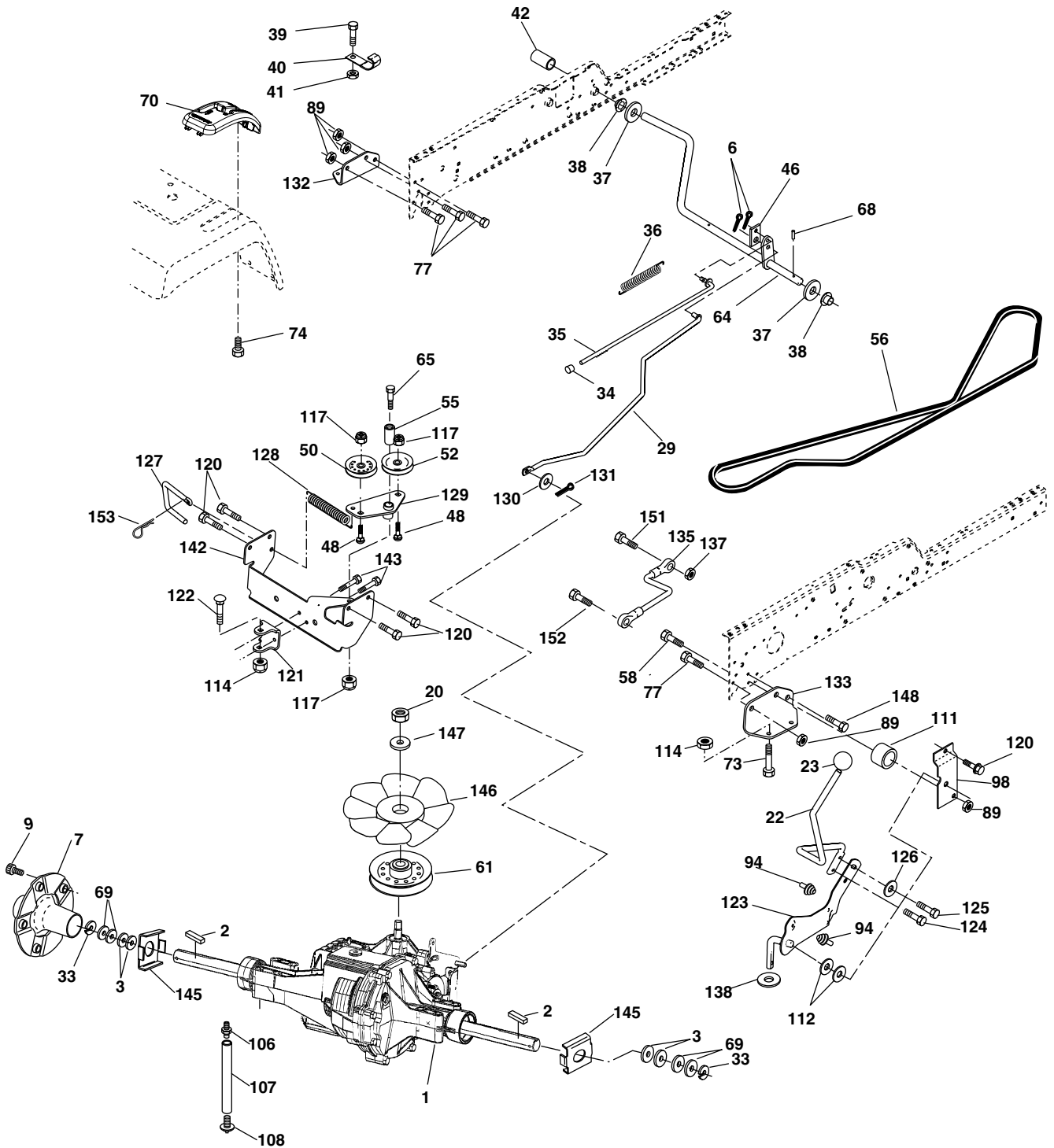
CHASSIS AND ENCLOSURES

| KEY NO. | PART NO. | DESCRIPTION | KEY NO. | PART NO. | DESCRIPTION |
|---------|--------------|--------------------------------|---------|--------------|--------------------------------|
| 1 | 532 18 03-72 | Rail, Frame RH | 47 | 817 49 06-08 | Screw Thdrol 3/8-16 x 1/2 |
| 2 | 532 17 52-82 | Drawbar, Gt | 50 | 532 17 54-76 | Bracket, Chassis Front |
| 4 | 873 68 07-00 | Nut, Lock Hex 7/16-14 Unc | 56 | 532 17 60-16 | Bracket Asm., Susp Chassis Lh |
| 5 | 532 17 75-82 | Dash, Plastic | 58 | 532 17 53-15 | Bracket Asm., Fender |
| 6 | 532 15 78-82 | Dash, 1PCS, Lower | 60 | 817 06 06-20 | Screw 3/8-16 x 1-1/4 |
| 7 | 817 72 04-08 | Screw, Thd Cut 1/4-20 x 1/2 | 68 | 817 49 05-08 | Screw, 5/16-18 x 1/2 |
| 8 | 532 14 51-66 | Support, Battery | 86 | 874 78 07-16 | Bolt, Fin Hex 7/16-14 Unc |
| 14 | 532 17 75-83 | Hood Asm., Pnt | 91 | 532 18 03-66 | Rail, Frame Lh |
| 15 | 532 16 18-42 | Lens RH | 99 | 532 17 71-43 | Rod Asm. Bypass |
| 16 | 532 12 17-94 | Cover, Access | 122 | 532 16 14-64 | Screw Hex WSHD 8-18 x 7/8 |
| 17 | 817 06 06-12 | Screw, 3/8-16 x 3/4 | 130 | 532 16 48-63 | Screw Hw Hd Hi-Lo #13-16 x 3/4 |
| 18 | 532 17 75-84 | Grille | 138 | 532 18 17-98 | Cupholder |
| 19 | 819 13 13-12 | Washer 13/32 x 13/16 x 12 Ga. | 139 | 532 17 18-73 | Bolt Shoulder 5/16-18 |
| 20 | 874 76 06-16 | Bolt, Fin Hex 3/8-16 x 1 | 140 | 532 16 38-06 | Magnet Stealth |
| 21 | 873 80 06-00 | Nut, Crownlock 3/8-16 | 141 | 532 16 38-05 | Striker Plate |
| 24 | 532 18 10-58 | Footrest, RH | 142 | 532 16 18-97 | Bracket Dash Stealth RH |
| 25 | 532 16 18-41 | Lens LH | 143 | 532 17 75-86 | Skirt Grille RH |
| 28 | 532 18 10-57 | Footrest, LH | 144 | 532 16 19-00 | Bracket Dash Stealth LH |
| 30 | 532 14 50-52 | Saddle | 146 | 532 17 75-87 | Skirt Grille LH |
| 31 | 532 16 14-19 | Bracket Supt 1-pc Vgt Steering | 148 | 532 16 46-55 | Extrusion Bumper |
| 32 | 532 16 13-27 | Bracket, Frame Pivot Lh | 150 | 532 16 12-37 | Duct Heat Hood |
| 33 | 532 16 13-26 | Bracket, Frame Pivot Rh | 152 | 532 17 79-56 | Shield, Browning |
| 34 | 532 17 70-18 | Plate Asm Engine Chassis | 153 | 532 17 97-61 | Lens, Headlight Bar |
| 35 | 819 11 11-16 | Washer 11/32 x 11/16 x 16 Ga. | 158 | 817 67 06-08 | Screw 3/8-16 x 1/2 |
| 36 | 817 06 05-12 | Screw 5/16-18 x 3/4 | 160 | 817 06 05-08 | Screw 5/16-18 x 1/2 |
| 37 | 532 18 17-20 | Fender, Pnt. | 161 | 532 18 17-87 | Cosole Fuel Window |
| 39 | 532 17 52-78 | Bracket, Axle Front | 162 | 532 14 24-32 | Screw 1/4-1/2 Unc |
| 43 | 532 13 69-39 | Bracket, Spnsn Front Lh | | | |
| 44 | 532 13 69-40 | Bracket, Spnsn Front Rh | | | |
| 45 | 532 17 60-18 | Bracket Asm., Susp Chassis Rh | | | |

NOTE: All component dimensions given in U.S. inches
1 inch = 25.4 mm

REPAIR PARTS

TRACTOR - - MODEL NO. GTH250 (HEGTH250A) PRODUCT NO. 954 17 00-55
GROUND DRIVE



REPAIR PARTS

TRACTOR - - MODEL NO. GTH250 (HEGTH250A) PRODUCT NO. 954 17 00-55

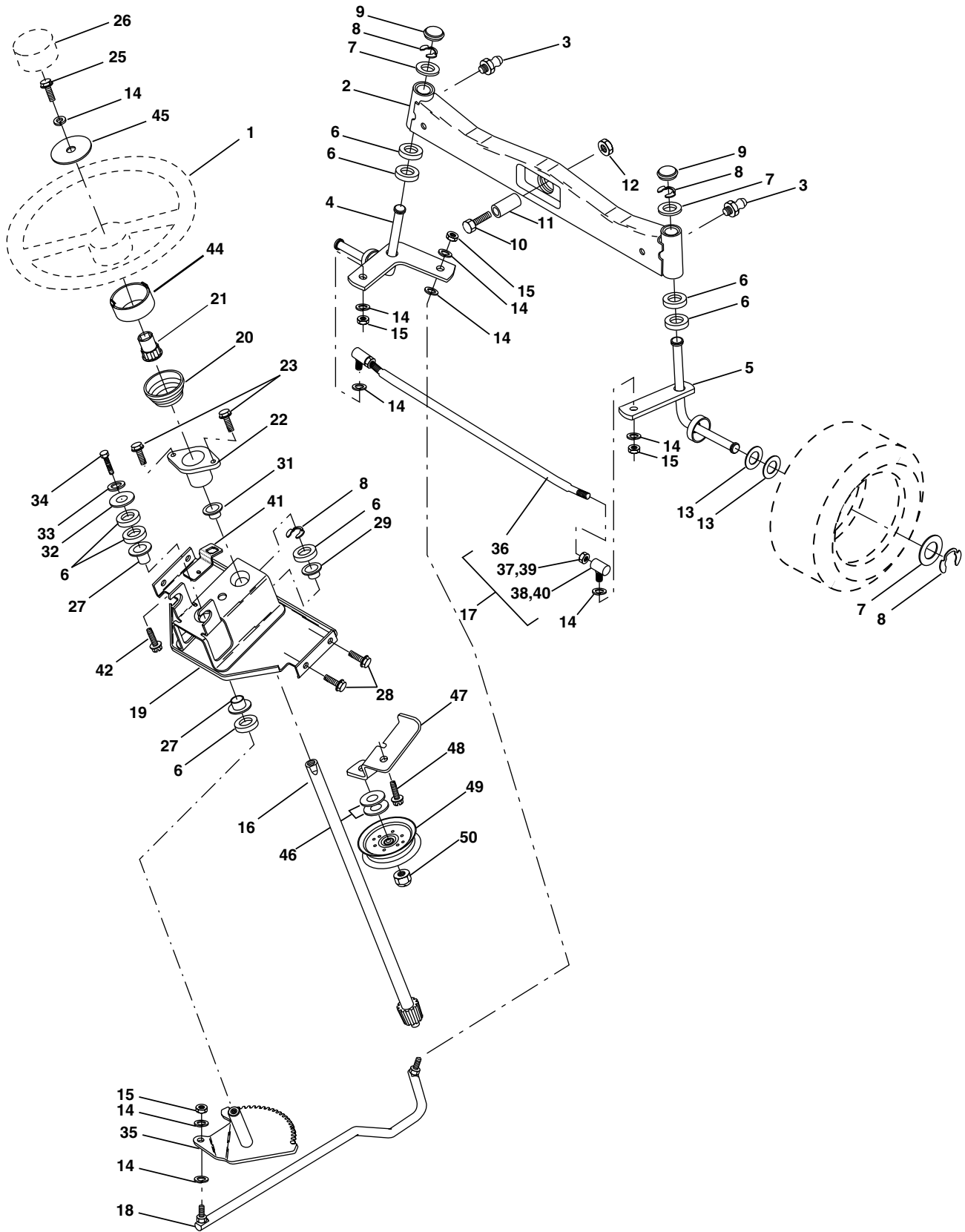
GROUND DRIVE

| KEY NO. | PART NO. | DESCRIPTION | KEY NO. | PART NO. | DESCRIPTION |
|---------|--------------|---|---------|--------------|-----------------------------------|
| 1 | ----- | Transaxle Hydro Gear 331-3000 (Order Parts From Transaxle Manufacturer) | 98 | 532 14 10-04 | Bracket Shift |
| 2 | 532 18 06-42 | Key Sq. 1/4 x 1/4 x 2.375 | 106 | 532 14 29-18 | O-Ring Asm Hydro Gear |
| 3 | 532 00 75-63 | Washer Thrust | 107 | 532 15 47-39 | Line Fuel Hydro 15" VGT |
| 6 | 876 02 04-12 | Pin, Cotter | 108 | 532 14 29-17 | Cap Asm Vent Hydro Gear |
| 7 | 532 14 05-07 | Wheel, Hub Assembly | 111 | 532 15 62-40 | Spacer Shift Lever VGTH |
| 9 | 532 14 00-80 | Bolt, Hub | 112 | 532 15 61-04 | Washer Nylon High Temp |
| 20 | 873 94 08-00 | Nut | 114 | 873 80 05-00 | Nut Lock Hex W/Ins 5/16-18 Unc |
| 22 | 532 18 02-35 | Lever Asm Shift | 117 | 873 90 06-00 | Nut, Lock Flg. 3/8-16 |
| 23 | 532 14 08-45 | Knob | 120 | 817 06 06-12 | Screw 3/8-16 x .75 |
| 29 | 532 17 66-00 | Brake, Rod | 121 | 532 17 56-11 | Bracket Strap Torque |
| 33 | 812 00 00-53 | Ring E | 122 | 872 11 05-20 | Bolt RDHDSQ 5/16-18 Unc x 2-1/2 |
| 34 | 532 07 16-73 | Cap, Parking Brake | 123 | 532 17 66-02 | Rod Shift |
| 35 | 532 13 76-48 | Rod, Parking Brake | 124 | 532 16 54-92 | Bolt Shoulder 5/16-18 x .561 |
| 36 | 532 14 94-12 | Spring, Drive Ground | 125 | 532 16 68-80 | Screw 5/16-18 x 5/8 |
| 37 | 532 12 17-49 | Washer 25/32 x 1-1/4 x 16 Ga. | 126 | 532 16 60-02 | Washer SRRTD 5/16 ID x 1.0 x .125 |
| 38 | 532 15 00-35 | Nyliner | 127 | 532 17 73-62 | Link Control Clutch |
| 39 | 874 32 10-16 | Screw, Fin. #10-24 x 1 | 128 | 532 17 66-24 | Spring Drive GRND |
| 40 | 532 17 85-75 | Actuator, Interlock VGT | 129 | 532 17 94-73 | Bracket Asm Idler Tensioning |
| 41 | 873 93 10-00 | Nut Centerlock 10-24 Unc | 130 | 819 13 10-16 | Washer 13/32 x 5/8 x 16 Ga. |
| 42 | 532 00 88-83 | Cover, Pedal | 131 | 876 02 03-12 | Pin Cotter 3/32 x 3/4 |
| 46 | 532 14 51-70 | Retainer, Spring | 132 | 532 17 54-67 | Bracket Mtg Hydro 3500 LH VGT |
| 48 | 872 11 06-14 | Bolt Rdhd 3/8-16 x 1.3/4 Gr. 5 | 133 | 532 17 54-68 | Bracket Mtg Hydro 3500 RH VGT |
| 50 | 532 13 14-94 | Pulley, Idler, Flat | 135 | 532 17 73-64 | Link Asm Control Hydro 3500 |
| 52 | 532 12 77-83 | Pulley, Idler, Grooved | 137 | 532 00 16-85 | Nut Lock 5/16-18 NC Thd. |
| 55 | 532 10 57-06 | Bearing, Idler | 138 | 532 00 13-70 | Washer Thrust 5/8 x 1.10 x 1/32 |
| 56 | 532 16 15-97 | V-Belt | 142 | 532 17 54-69 | Strap Torque HG-3500 |
| 58 | 874 76 07-24 | Bolt Fin Hex 7/16-14 x 1-1/2 | 143 | 817 06 05-12 | Screw Thdrol 5/16-18 x 3/4 |
| 61 | 532 14 39-95 | Pulley, Transaxle | 145 | 532 16 31-68 | Washer Axle Flange HG-3000 |
| 64 | 532 17 66-01 | Shaft, Brake Pedal | 146 | 532 14 04-62 | Fan 7" Hydro |
| 65 | 532 17 96-13 | Bolt, Shoulder | 147 | 532 14 13-22 | Washer |
| 68 | 532 00 51-42 | Pin, Roll | 148 | 817 06 06-20 | Screw 3/8-16 x 1-1/4 |
| 69 | 532 12 38-00 | Washer | 151 | 874 76 05-14 | Bolt Hex 5/16-18 x 7/8 |
| 70 | 532 18 17-88 | Console Automatic YT/GT | 152 | 532 17 87-05 | Bolt Hex 5/16 x 1 W/Patch |
| 73 | 874 49 05-48 | Bolt Hex Flghd 5/16-18 x 3 Gr5 | 153 | 532 12 47-88 | Spring, Retainer |
| 74 | 532 14 24-32 | Screw Hex Wsh. Hi-Lo 1/4-1/2 | | | |
| 77 | 874 78 07-16 | Bolt Fin Hex 7/16-14 x 1 | | | |
| 89 | 873 68 07-00 | Nut Crownlock 7/16-14 Unc | | | |
| 94 | 532 13 38-35 | Fastener Christmas Tree | | | |

NOTE: All component dimensions given in U. S. inches 1 inch = 25.4 mm

REPAIR PARTS

TRACTOR - - MODEL NO. GTH250 (HEGTH250A) PRODUCT NO. 954 17 00-55
STEERING ASSEMBLY



REPAIR PARTS

TRACTOR - - MODEL NO. GTH250 (HEGTH250A) PRODUCT NO. 954 17 00-55

STEERING ASSEMBLY

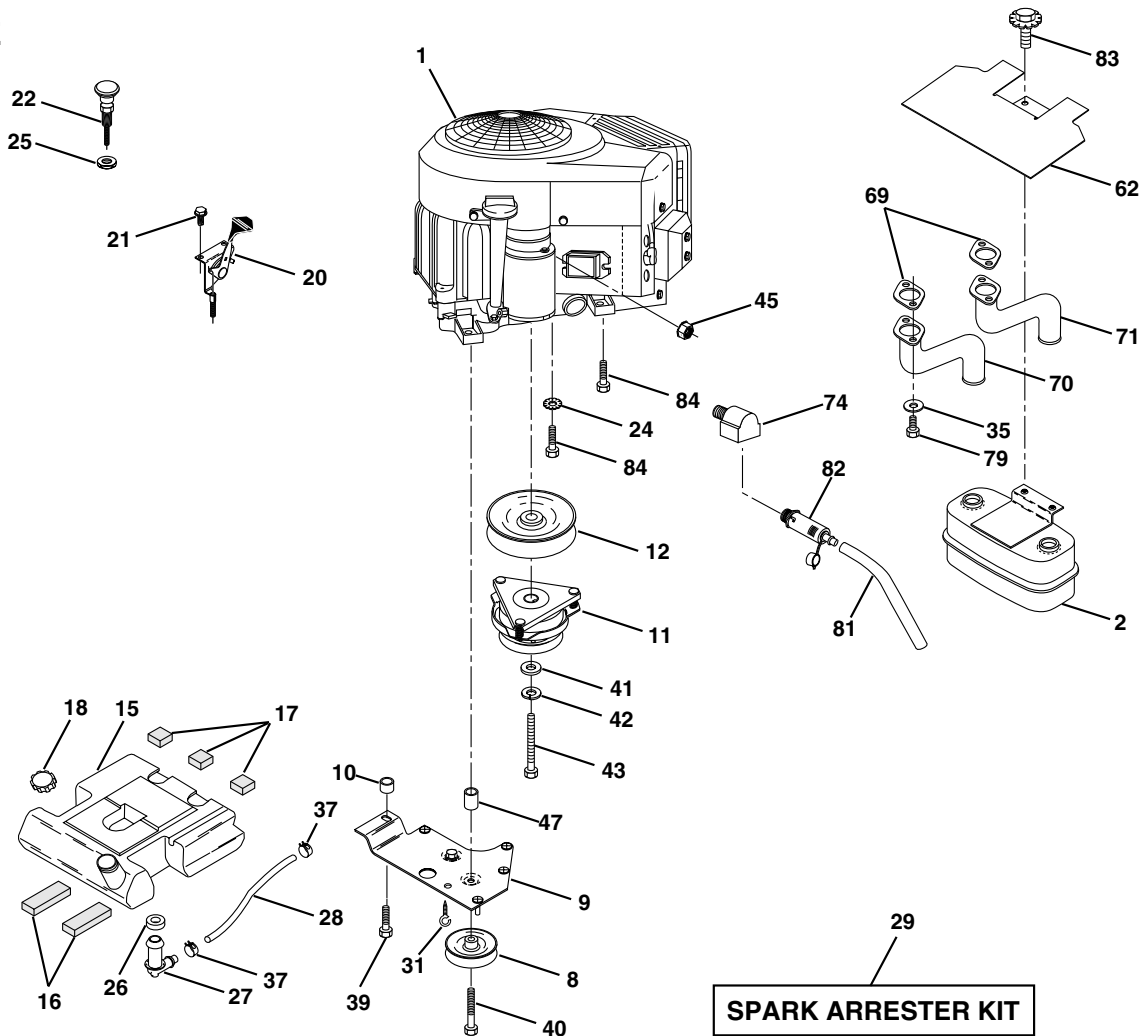
| KEY NO. | PART NO. | DESCRIPTION |
|---------|--------------|--|
| 1 | 532 16 66-27 | Wheel, Steering |
| 2 | 532 17 85-57 | Axle Asm., Front |
| 3 | 532 12 48-36 | Fitting, Grease |
| 4 | 532 16 18-49 | Spindle Asm, LH |
| 5 | 532 16 18-48 | Spindle Asm., RH |
| 6 | 532 12 49-31 | Bearing, Race Thrust Harden |
| 7 | 532 12 17-48 | Washer 25/32 x 1-5/8 x 16 Ga. |
| 8 | 812 00 00-29 | Ring, Klip #T5304-75 |
| 9 | 532 12 12-32 | Cap, Spindle |
| 10 | 874 78 10-44 | Bolt, Fin Hex 5/8-11 x 2-3/4 |
| 11 | 532 13 65-18 | Spacer Brg Axle Front 1.570 |
| 12 | 873 90 10-00 | Nut, Lock Flange 5/8-11 Unc |
| 13 | 532 12 17-49 | Washer 25/32 x 1-1/4 x 16 Ga. |
| 14 | 810 04 06-00 | Washer, Lock Hvy Hlcl Spr 3/8 |
| 15 | 532 12 47-01 | Nut Lock Center 3/8-24 Unf |
| 16 | 532 14 51-03 | Shaft Asm., Steering |
| 17 | 532 13 73-47 | Rod Asm., Tie Ball J Ball Vgt (Inc. Key No. 36-40) |
| 18 | 532 17 55-72 | Draglink, Ball Joint Solid Vgt |
| 19 | 532 15 60-11 | Support Asm., Steering Vgt |
| 20 | 532 17 75-92 | Boot Steering |
| 21 | 532 15 99-45 | Adapter, Wheel Steering |
| 22 | 532 15 51-05 | Bushing, Strg. |
| 23 | 532 15 29-27 | Screw |
| 25 | 874 78 06-16 | Bolt, Fin Hex 3/8-16 x 1 Gr. 5 |
| 26 | 532 16 66-26 | Cap, Wheel Steering |
| 27 | 532 12 49-37 | Bearing, Col. Strg. |
| 28 | 817 00 06-12 | Screw 3/8-16 x 3/4 |
| 29 | 532 10 42-39 | Bearing, Flange |
| 31 | 532 13 81-36 | Bushing, Nyliner Snap |
| 32 | 819 11 16-10 | Washer 11/32 x 1 x 10 Ga. |
| 33 | 810 04 05-00 | Washer, Lock Hvy Hlcl Spr 5/16 |
| 34 | 874 78 05-12 | Bolt, Hex Hd 5/16-18 x 3/4 |
| 35 | 532 13 80-59 | Gear, Sector Steering |
| 36 | 532 13 71-56 | Tie Rod |
| 37 | 873 36 06-00 | Jam Nut RH Thread |
| 38 | 532 10 98-50 | Joint Asm. Ball RH Thread |
| 39 | 873 70 06-00 | Nut Hex Jam 3/8-24 UNF LH |
| 40 | 532 10 98-51 | Joint Asm Ball LH |
| 41 | 532 15 52-46 | Bracket Switch Inerlock VGT97 |
| 42 | 817 49 05-08 | Screw 5/16-18 x 1/2 |
| 44 | 532 17 75-93 | Extension Steering Premium |
| 45 | 819 13 24-11 | Washer 13/32 x 1-1/20 x 11 Ga. |
| 46 | 819 13 16-10 | Washer 13/32 x 1 x 10 Ga. |
| 47 | 532 17 78-63 | Bracket Asm. Idler |
| 48 | 817 06 06-12 | Screw 3/8-16 x .75 |
| 49 | 532 17 58-20 | Pulley Idler Flat |
| 50 | 873 90 06-00 | Nut Lock Flg 3/8-16 Unc |

NOTE: All component dimensions given in U.S. inches
1 inch = 25.4 mm

REPAIR PARTS

TRACTOR - - MODEL NO. GTH250 (HEGTH250A) PRODUCT NO. 954 17 00-55

ENGINE



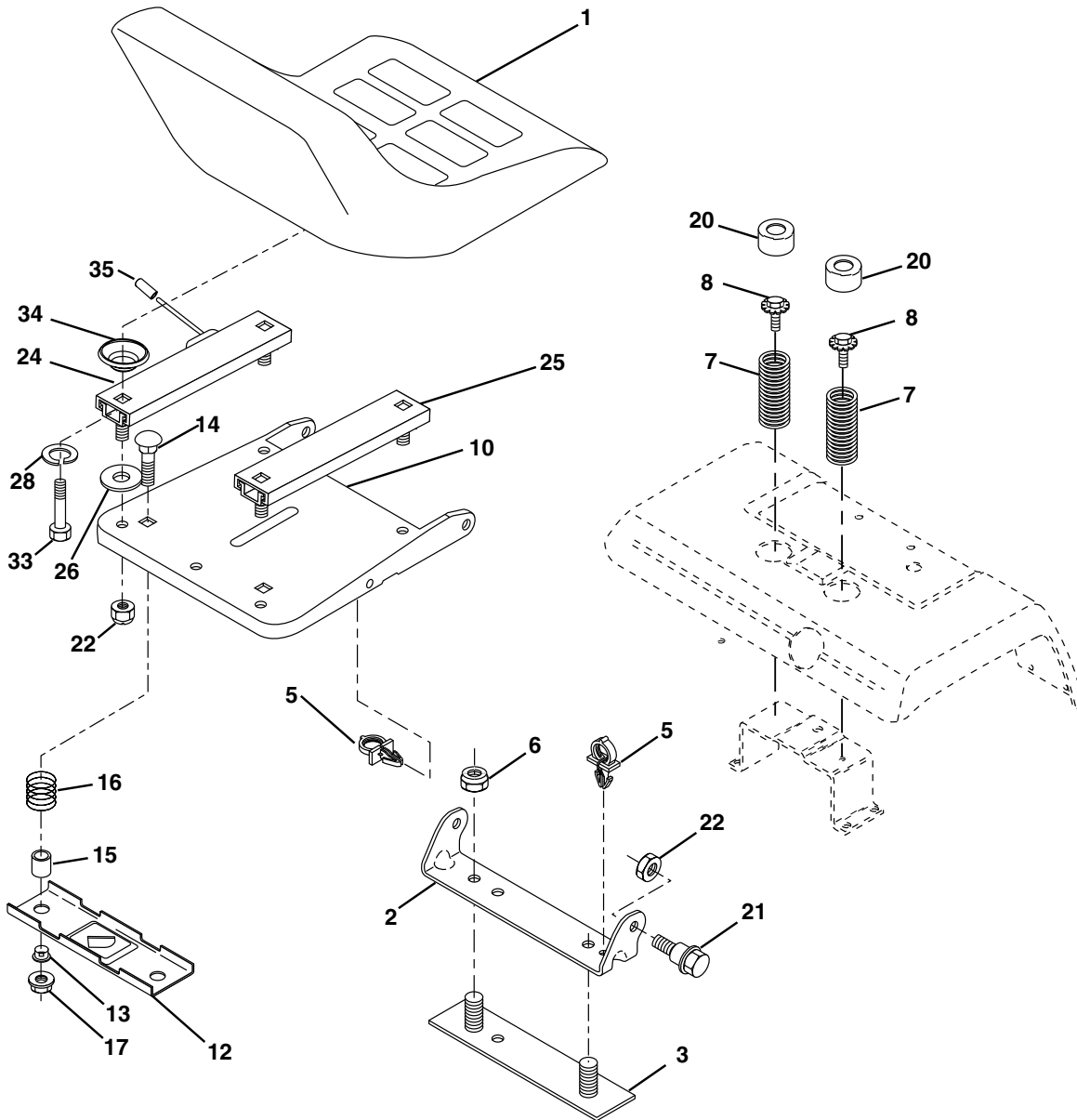
| KEY NO. | PART NO. | DESCRIPTION |
|---------|--------------|---|
| 1 | ----- | Engine Briggs & Stratton, Model No. 446777 (Order parts from engine manufacturer) |
| 2 | 532 14 97-23 | Muffler Side |
| 8 | 532 12 13-61 | Pulley V-Idler |
| 9 | 532 17 77-48 | Keeper Asm. Belt Engine VGT |
| 10 | 532 17 52-87 | Bushing |
| 11 | 532 17 46-05 | Clutch Electric |
| 12 | 532 14 39-96 | Pulley Engine VGT Elect Clutch |
| 15 | 532 17 91-15 | Tank Fuel Rear 5.0 |
| 16 | 532 10 92-27 | Pad Spacer |
| 17 | 532 10 60-82 | Pad Spacer |
| 18 | 532 18 18-03 | Cap Fuel |
| 20 | 532 17 83-85 | Control Throttle |
| 21 | 532 16 48-63 | Screw Hex Thd Cut 1/4 - 20 X 5/8 |
| 22 | 532 17 86-39 | Control Choke |
| 24 | 811 05 06-00 | Washer Ext Tooth 3/8 |
| 25 | 873 92 06-00 | Nut Keps 3/8-24 Unf |
| 26 | 532 00 36-45 | Bushing |
| 27 | 532 13 92-77 | Stem Tank Fuel |
| 28 | 532 00 78-34 | Fuel Line |
| 29 | 532 13 71-80 | Spark Arrester Kit |

| KEY NO. | PART NO. | DESCRIPTION |
|---------|--------------|-----------------------------------|
| 31 | 532 14 50-06 | Clip Push-In Hinged |
| 35 | 810 04 05-00 | Washer |
| 37 | 532 12 34-87 | Clamp Hose |
| 39 | 817 49 06-36 | Screw TT 3/8-16 x 2-1/4 UNC |
| 40 | 817 49 06-64 | Screw TT 3/8-16 x 4 UNC |
| 41 | 532 12 61-97 | Washer 1-1/2 OD X 15/32 ID X .250 |
| 42 | 810 04 07-00 | Washer Lock 7/16 |
| 43 | 532 17 99-53 | Bolt Hex 7/16-20 X 3.75 Ga 5 |
| 47 | 532 17 52-88 | Bushing |
| 62 | 532 14 66-29 | Shield Heat Muffler |
| 69 | 532 16 53-91 | Gasket |
| 70 | 532 17 60-69 | Tube Exhaust LH |
| 71 | 532 17 60-70 | Tube Exhaust RH |
| 74 | 532 16 22-95 | Elbow Street Brass |
| 79 | 871 07 05-12 | Screw 5/16-18 x 3/4 |
| 80 | 532 16 33-05 | Nut Flange M8-1.25 |
| 81 | 532 14 84-56 | Tube Drain Oil Easy |
| 82 | 532 14 83-15 | Plug Oil Drain |
| 83 | 532 17 18-77 | Bolt 5/16-18unc X 1-3/4 W/Sems |
| 84 | 817 06 06-24 | Screw 3/8-16 x 1-1/2 |

NOTE: All component dimensions given in U.S. inches
1 inch = 25.4 mm

REPAIR PARTS

TRACTOR - - MODEL NO. GTH250 (HEGTH250A) PRODUCT NO. 954 17 00-55 SEAT ASSEMBLY



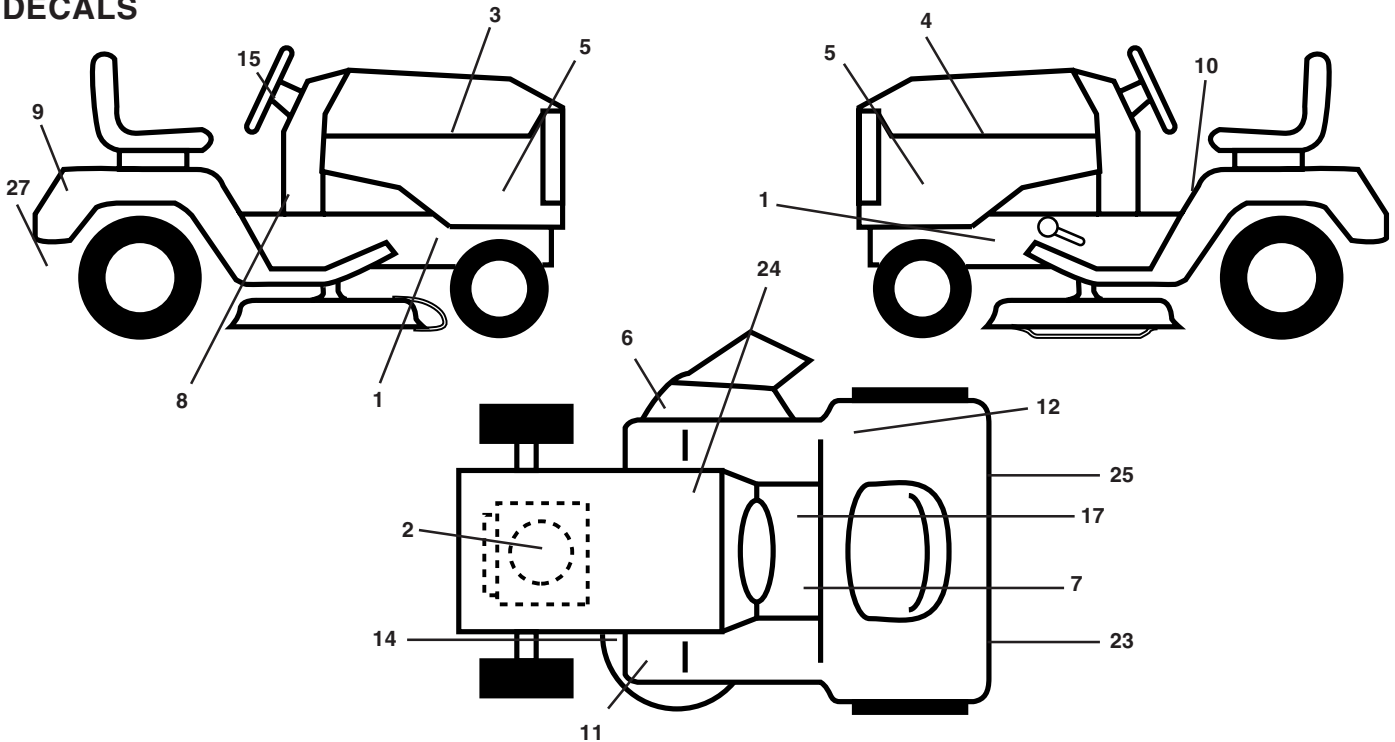
| KEY NO. | PART NO. | DESCRIPTION |
|---------|--------------|-------------------------------|
| 1 | 532 12 41-87 | Seat |
| 2 | 532 14 05-51 | Bracket, Pivot Seat |
| 3 | 532 14 06-75 | Strap, Fender |
| 5 | 532 14 50-06 | Clip, Push In Hinged |
| 6 | 873 80 06-00 | Nut, Crownlock 3/8-16 |
| 7 | 532 12 41-81 | Spring, Seat Cprsn |
| 8 | 532 17 18-77 | Bolt 5/16-18 UNC X 3/4 |
| 10 | 532 17 48-94 | Pan, Seat |
| 12 | 532 12 12-46 | Bracket, Mounting Switch |
| 13 | 532 12 12-48 | Bushing, Snap |
| 14 | 872 05 04-12 | Bolt, Carriage 1/4-20 X 1-1/2 |
| 15 | 532 12 12-49 | Spacer, Split |
| 16 | 532 12 37-40 | Spring, Cprsn |

| KEY NO. | PART NO. | DESCRIPTION |
|---------|--------------|-----------------------------|
| 17 | 532 12 39-76 | Nut, Lock 1/4 Lge Flg Gr. 5 |
| 20 | 532 12 42-38 | Cap, Spring Seat |
| 21 | 532 17 18-52 | Bolt, Shoulder 5/16-18 |
| 22 | 873 80 05-00 | Nut, Crownlock 5/16-18 |
| 24 | 532 17 79-46 | Track Slide Seat LH |
| 25 | 532 17 79-47 | Track Slide Seat RH |
| 26 | 819 11 10-12 | Washer 11/32 x 5/8 x 12 Ga. |
| 28 | 810 01 05-00 | Washer Split |
| 33 | 874 78 05-16 | Bolt Fin Hex 5/16-18 x 1.0 |
| 34 | 532 12 44-27 | Spacer Seat |
| 35 | 532 17 84-26 | Cap Vinyl |

NOTE: All component dimensions given in U.S. inches
1 inch = 25.4 mm

REPAIR PARTS

TRACTOR - - MODEL NO. GTH250 (HEGTH250A) PRODUCT NO. 954 17 00-55
DECALS



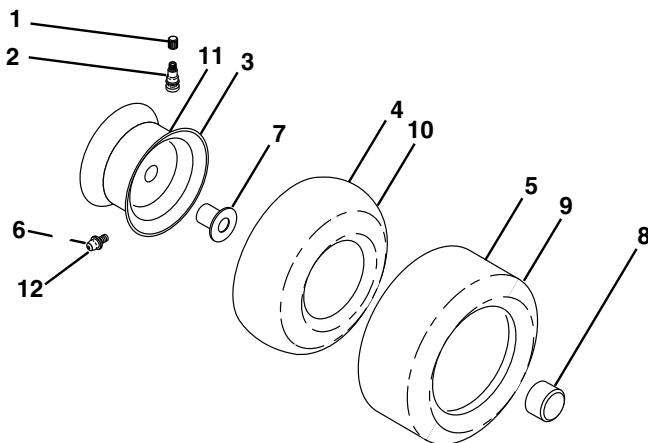
KEY PART
NO. NO. DESCRIPTION

| | | |
|----|--------------|----------------------------------|
| 2 | 532 18 04-39 | Decal, Engine |
| 3 | 532 18 04-54 | Decal, Hood, RH |
| 4 | 532 18 04-55 | Decal, Hood, LH |
| 5 | 532 15 97-13 | Decal, Side Panel |
| 6 | 532 14 54-94 | Decal, Warning |
| 8 | 532 18 11-89 | Decal, Dash |
| 9 | 532 17 68-22 | Decal, Fender |
| 10 | 532 14 54-98 | Decal, Read Owner's Manual Syms. |
| 11 | 532 17 78-73 | Decal, Foot Rest |
| 14 | 532 17 52-91 | Decal, V-Belt Schematic |
| 15 | 532 17 05-64 | Decal, Ins. Strg Whl |

KEY PART
NO. NO. DESCRIPTION

| | | |
|----|--------------|----------------------------------|
| 17 | 532 14 08-37 | Decal, Saddle Brake Parking |
| 23 | 532 17 49-69 | Reflector, Taillight LH |
| 24 | 532 14 50-05 | Decal, Btry Dngr/Psn |
| 25 | 532 17 49-70 | Reflector Taillight RH |
| 27 | 532 16 69-60 | Decal, Drawbar |
| -- | 532 16 25-98 | Decal Draw Bar Load Limit |
| -- | 532 18 19-17 | Pad Footrest RH |
| -- | 532 13 83-11 | Decal, Handle Lift (Lift Handle) |
| -- | 532 18 19-16 | Pad Footrest LH |
| -- | 532 18 13-44 | Manual, Operator's (Euro) |
| -- | 532 18 13-45 | Manual, Operator's (Scan) |

WHEELS & TIRES



KEY PART
NO. NO. DESCRIPTION

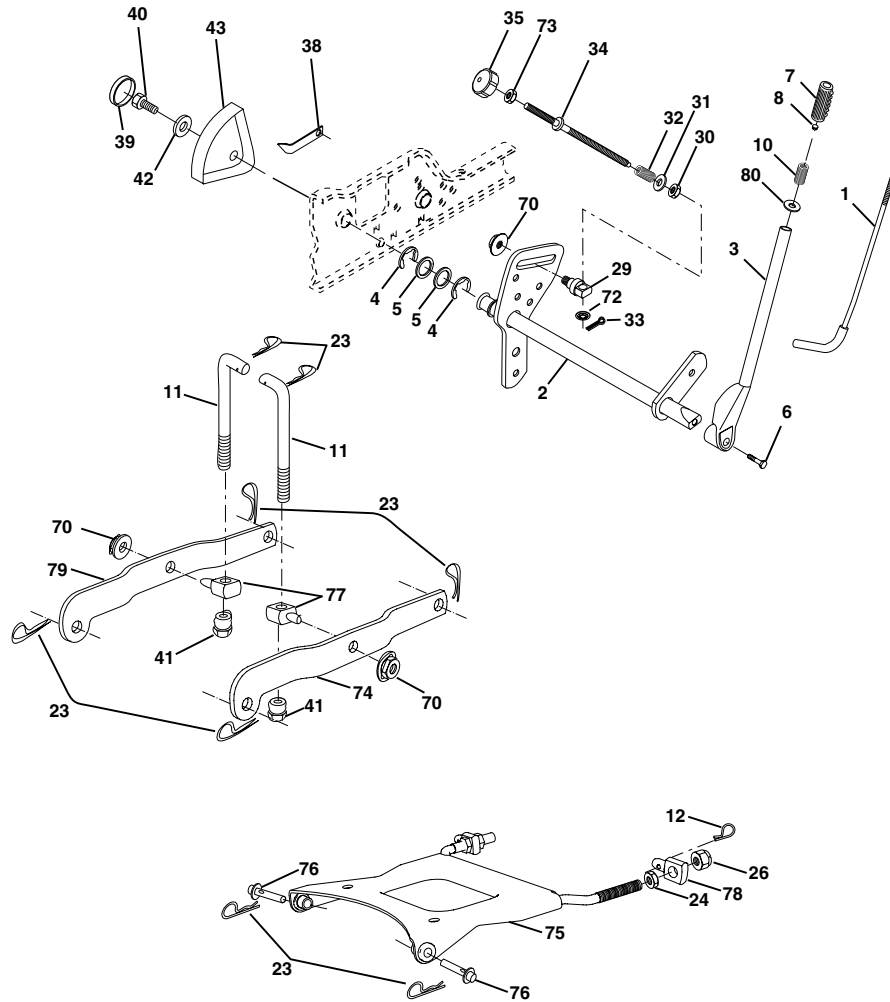
| | | |
|----|--------------|------------------------------------|
| 1 | 532 05 91-92 | Cap, Valve, Tire |
| 2 | 532 06 51-39 | Stem, Valve |
| 3 | 532 14 45-09 | Rim Assembly, Front |
| 4 | 532 00 81-34 | Tube, Front (Service Item Only) |
| 5 | 532 10 62-30 | Tire, Front |
| 6 | 532 12 49-57 | Fitting, Grease |
| 7 | 532 12 49-59 | Bearing, Flange (Front Wheel Only) |
| 8 | 532 17 50-39 | Cap, Hub |
| 9 | 532 10 55-88 | Tire, Rear |
| 10 | 532 00 71-54 | Tube, Rear (Service Item Only) |
| 11 | 532 14 45-10 | Rim Assembly, Rear |
| 12 | 532 12 48-60 | Fitting, Grease |
| -- | 532 14 43-34 | Sealant, Tire (10 oz. Tube) |

NOTE: All component dimensions given in U.S. inches
1 inch = 25.4 mm

REPAIR PARTS

TRACTOR - - MODEL NO. GTH250 (HEGTH250A) PRODUCT NO. 954 17 00-55

LIFT ASSEMBLY

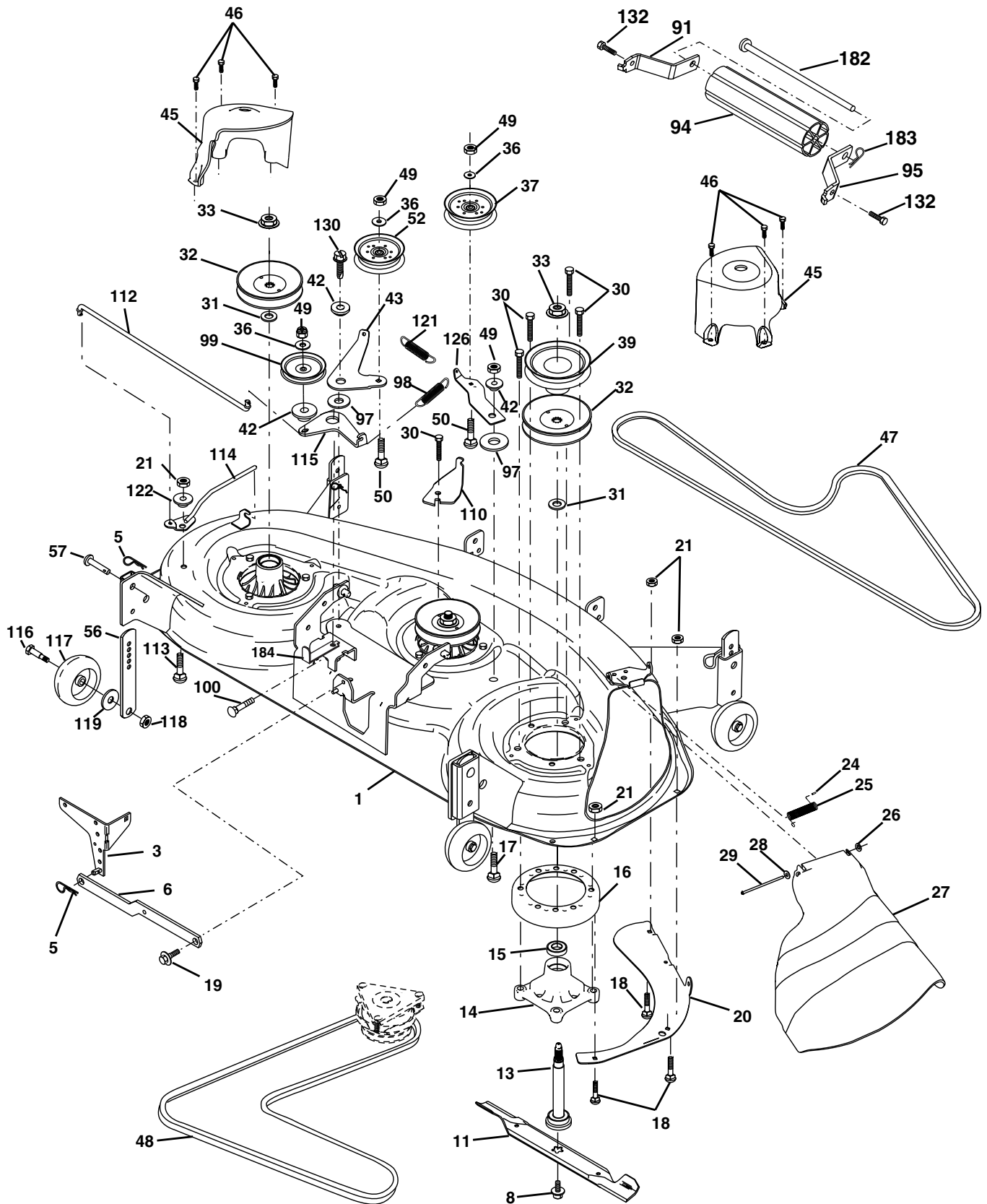


| KEY NO. | PART NO. | DESCRIPTION | KEY NO. | PART NO. | DESCRIPTION |
|---------|--------------|-------------------------------|---------|--------------|----------------------------------|
| 1 | 532 12 10-06 | Rod Asm., Lever | 33 | 876 02 03-08 | Pin, Cotter 3/32 x 1/2 |
| 2 | 532 18 00-45 | Shaft Asm., Lift Vgt | 34 | 532 13 71-67 | Rod, Adj Lift |
| 3 | 532 15 91-89 | Lever Asm., Lift Rh | 35 | 532 13 80-57 | Knob, Inf 3/8-16 Unc |
| 4 | 812 00 00-22 | E-Ring Truarc #5133-87 | 38 | 532 15 50-97 | Pointer Height Indicator |
| 5 | 819 29 20-16 | Washer 29/32 x 1-1/4 x 16 Ga. | 39 | 532 12 39-35 | Plug, Hole Blk. 1.485/1.515 Dia. |
| 6 | 871 11 06-24 | Bolt, Fin Hex 3/8-16 x 1-1/2 | 40 | 817 06 05-16 | Screw 5/16-18 x 1 |
| 7 | 532 12 56-31 | Grip, Handle | 41 | 532 17 59-94 | Nut, Crownlock 3/8-24 |
| 8 | 532 12 45-26 | Button, Plunger | 42 | 819 11 24-10 | Washer 11/32 x 1-1/2 x 10 Ga. |
| 9 | 532 12 23-64 | Plunger, Lever Lift | 43 | 532 12 39-34 | Scale, Indicator Height |
| 10 | 532 12 48-74 | Spring 2-1/8" | 70 | 532 14 52-12 | Nut Hex Flange Lock |
| 11 | 532 17 53-75 | Link Lift | 72 | 532 11 04-52 | Nut Push Phos & Oil |
| 12 | 532 16 35-52 | Retainer, Spring | 73 | 873 35 06-00 | Nut, Hex Jam 3/8-16 Unc |
| 13 | 532 17 53-78 | Arm, Suspension Rear LH | 74 | 532 17 58-02 | Arm Suspension Rear RH |
| 23 | 532 12 46-70 | Retainer, Spring | 75 | 532 17 58-05 | Plate, Asm, Susp, Front |
| 24 | 873 35 08-00 | Nut, Jam Hex 1/2-13 Unc | 76 | 532 17 55-60 | Pin Flange |
| 26 | 873 68 08-00 | Nut, Lock W/Wsh 1/2-13 Unc | 77 | 532 17 62-05 | Trunnion |
| 29 | 532 15 02-33 | Trunnion Infin Height | 78 | 532 17 56-89 | Trunnion, Front, Susp |
| 30 | 532 11 08-07 | Nut, Special | 80 | 532 12 66-84 | Washer Shim |
| 31 | 819 13 10-16 | Washer 13/32 x 5/8 x 16 Ga. | | | |
| 32 | 532 13 71-50 | Spring, Compression Inf Hgt | | | |

NOTE: All component dimensions given in U.S. inches
1 inch = 25.4 mm

REPAIR PARTS

TRACTOR - - MODEL NO. GTH250 (HEGTH250A) PRODUCT NO. 954 17 00-55
MOWER DECK



REPAIR PARTS

TRACTOR - - MODEL NO. GTH250 (HEGTH250A) PRODUCT NO. 954 17 00-55

MOWER DECK

| KEY NO. | PART NO. | DESCRIPTION | KEY NO. | PART NO. | DESCRIPTION |
|---------|--------------|----------------------------------|---------|--------------|--|
| 1 | 532 18 03-58 | Deck Weldment Mower 48 | 52 | 532 17 58-20 | Pulley Idler Flat |
| 3 | 532 17 89-15 | Bracket Asm., Sway Bar | 56 | 532 15 59-86 | Bar Pnt Adj. |
| 5 | 532 12 46-70 | Retainer Spring | 57 | 532 15 69-41 | Pin Head Rivet |
| 6 | 532 17 80-24 | Bar Sway Deck | 91 | 532 18 05-34 | Bracket Asm N Roller LH |
| 8 | 532 17 43-65 | Bolt 7/16 Asm. Blade | 94 | 532 17 60-66 | Roller Nose 48" |
| 11 | 532 18 00-54 | Blade | 95 | 532 18 05-35 | Bracket Asm N Roller RH |
| 13 | 532 17 43-60 | Shaft Asm. w/Lower Bearing | 97 | 532 13 39-43 | Washer Hardened |
| 14 | 532 17 43-58 | Mandrel Asm. | 98 | 532 17 94-79 | Spring Primary Drive |
| 15 | 532 11 04-85 | Bearing, Ball, Mandrel | 99 | 532 17 50-80 | Pulley Idler"V" |
| 16 | 532 17 44-93 | Stripper Mandrel Deck | 100 | 872 11 06-16 | Bolt RDHD Sqnk 3/8-16 UNC x 2 |
| 17 | 872 11 06-10 | Bolt RDHD Sq Neck 3/8-16 x 1.25 | 107 | 532 17 52-94 | Baffle Vac Edge Mower |
| 18 | 872 14 05-05 | Bolt, Carriage 5/16-18 x 5/8 | 108 | 872 14 04-04 | Bolt 1/4-20 x 1/2 |
| 19 | 532 13 28-27 | Bolt, Hex Hd, Shoulder 5/16-18 | 109 | 873 68 04-00 | Nut Crownlock 1/4-20 |
| 20 | 532 17 43-78 | Baffle, Vortex Mower | 110 | 532 17 50-16 | Arm Spring Secondary |
| 21 | 873 68 05-00 | Nut, Crownlock 5/16-18 UNC | 112 | 532 17 43-87 | Link Tension Relief Lever |
| 24 | 532 10 53-04 | Cap, Sleeve | 113 | 872 11 05-08 | Bolt Carr. 5/16-18 x 1 |
| 25 | 532 17 81-02 | Spring, Torsion | 114 | 532 17 43-84 | Tension Asm. Relief Lever |
| 26 | 532 11 04-52 | Nut, Push | 115 | 532 17 46-09 | Arm Spring Tension Relief |
| 27 | 532 18 17-07 | Deflector Shield | 116 | 532 13 76-44 | Bolt Shoulder |
| 28 | 819 11 10-16 | Washer 11/32 x 5/8 x 16 Ga. | 117 | 532 17 48-73 | Gauge Wheel |
| 29 | 532 13 14-91 | Rod, Hinge | 118 | 873 93 06-00 | Nut, Centerlock 3/8-16 UNC |
| 30 | 532 17 39-84 | Screw, Thdroll Washer Head | 119 | 819 12 14-14 | Washer 3/8 x 7/8 x 14 Ga. |
| 31 | 532 12 99-63 | Washer, Spacer Mower Vented | 121 | 532 17 43-71 | Spring Secondary Drive |
| 32 | 532 17 78-65 | Pulley, Mandrel | 122 | 532 17 46-06 | Bushing Pivot Tension Relief |
| 33 | 532 17 83-42 | Nut, Flg. Top Lock Cntr. 9/16 | 126 | 532 17 43-72 | Arm, Idler, Primary Deck |
| 36 | 819 13 13-16 | Washer 13/32 x 13/16 x 16 Ga. | 130 | 817 00 06-16 | Screw 3/8-16 x 1.0 |
| 37 | 532 17 79-68 | Pulley, Idler, Flat | 182 | 532 17 91-27 | Rod Roller Nose |
| 39 | 532 17 43-75 | Pulley, Idler, Driven | 183 | 532 16 35-52 | Retainer Spring |
| 42 | 532 16 57-23 | Spacer, Retainer | 184 | 532 17 39-79 | Keeper Belt Idler |
| 43 | 532 17 43-73 | Arm, Idler Secondary | -- | 532 18 15-79 | Replacement Mower, Complete |
| 45 | 532 17 43-43 | Cover, Mandrel Deck | -- | 532 17 43-56 | Mandrel Asm. Service (Includes Key Nos. 13-15 and 33) |
| 46 | 532 13 77-29 | Screw, Thdroll. 1/4-20 x 5/8 | | | |
| 47 | 532 18 08-08 | V-Belt, Mower, Secondary | | | |
| 48 | 532 17 43-68 | V-Belt, Mower, Primary | | | |
| 49 | 873 68 06-00 | Nut, Crownlock 3/8-16 UNC | | | |
| 50 | 872 11 06-12 | Bolt, Carr. 3/8-16 x 1-1/2 Gr. 5 | | | |

NOTE: All component dimensions given in U.S. inches
1 inch = 25.4 mm