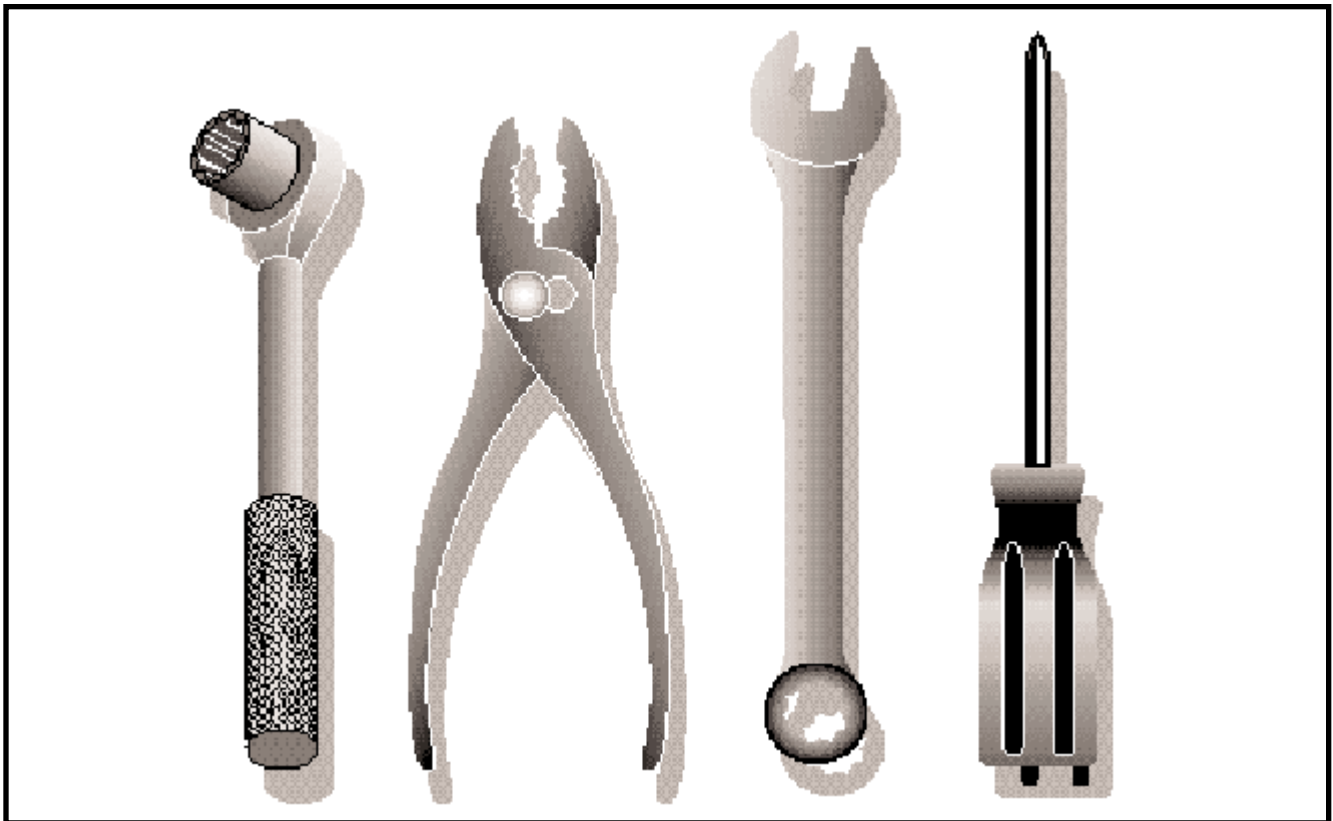


GTH 200

9540000682

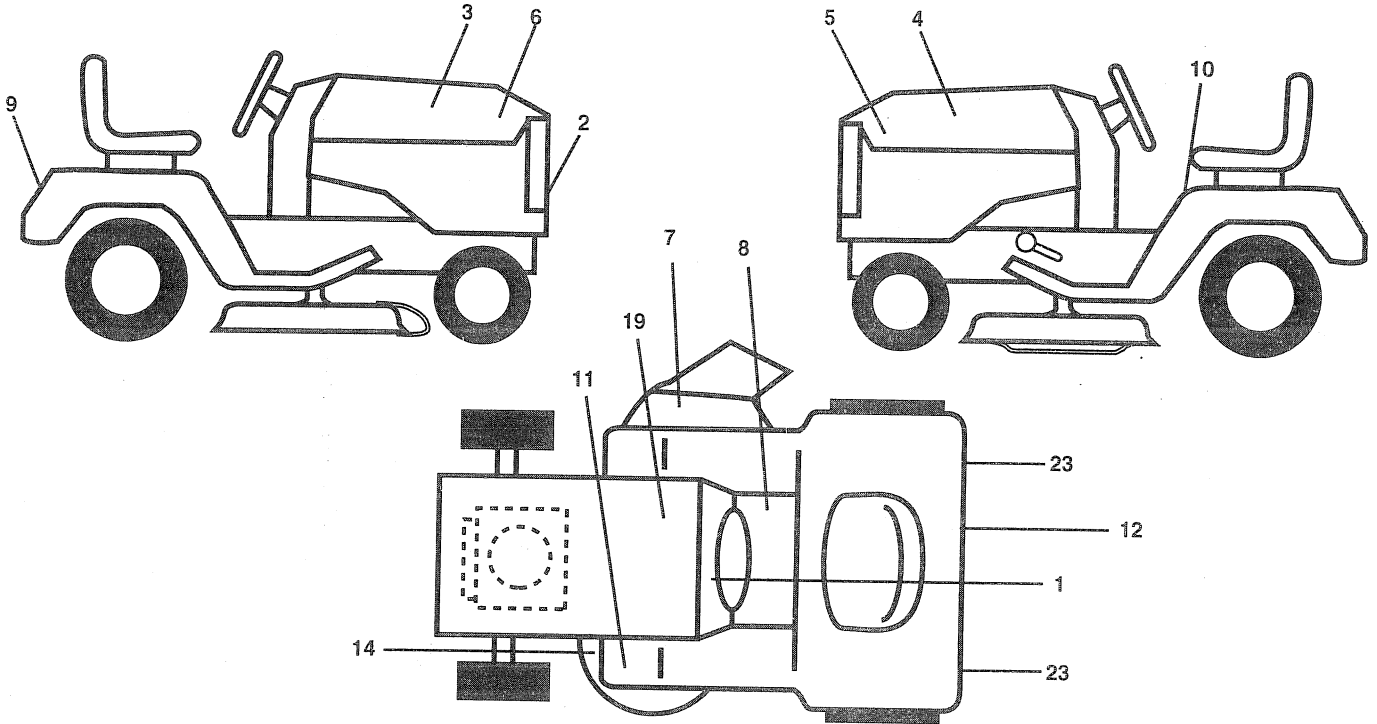


Repair Parts Manual

Ride Mower

REPAIR PARTS

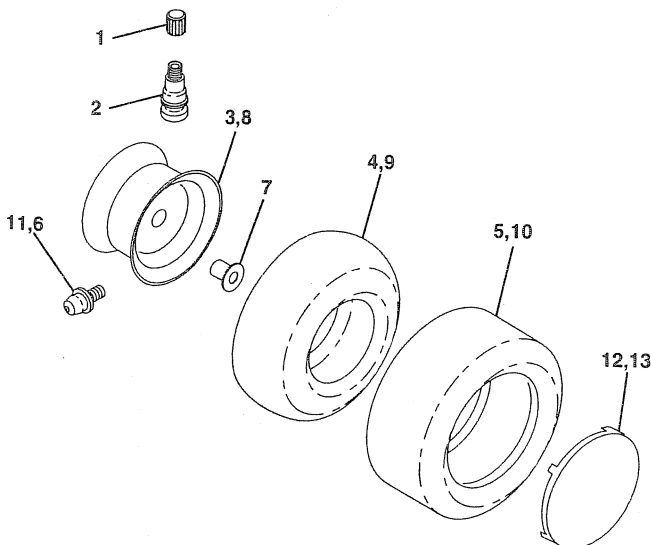
20 HP 50" TRACTOR - MODEL NO. GTH200 (HN20H50A), PRODUCT NO. 954 00 06-82
DECALS



KEY NO.	PART NO.	DESCRIPTION
1	532138956	Decal, Operating Instruction
2	532125989	Decal, Grille Husqvarna "H" Logo
3	532140728	Decal, Hood, RH
4	532140729	Decal, Hood, LH
5	532140869	Decal, Inst Hood LH GTH200 Hydro
6	532140868	Decal, Inst Hood RH GTH200 Hydro
7	532137259	Decal, Warning Multi-Language
8	532140837	Decal, Brake Parking Saddle
9	532131582	Decal, Fender
10	532133795	Decal, Caution
11	532101892	Decal, Clutch/Brake
12	532142342	Decal, D-Bar Ctrl. Mvt Hyd YT/GT

KEY NO.	PART NO.	DESCRIPTION
14	532139346	Decal, V-Belt Schematic
19	532121549	Decal, Battery
23	532106202	Reflector, Taillight
--	532138311	Decal, Handle Lft Height Adjust (Lift Handle)
--	532141349	Manual, Owner's (English)
--	532141350	Manual, Owner's (French)
Accessories not included with tractor:		
--	SH10	Sleeve Hitch
--	TA128	Tire Chains
--	TS20	8HP Tiller
--	TA321	#55 Wheel Weights
--	TR72	48" Dozer Blade
--	TR30	10" Plow

WHEELS & TIRES

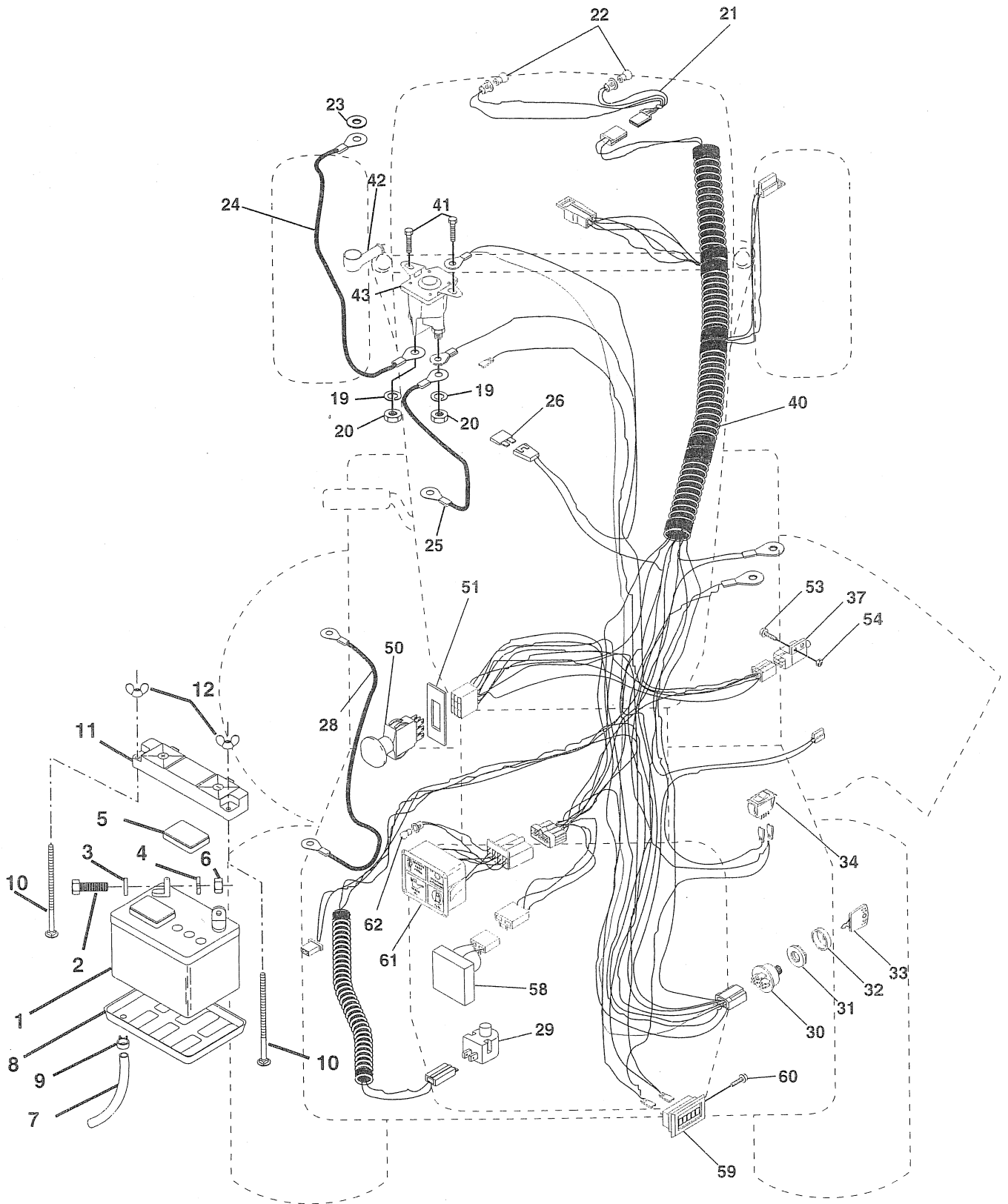


KEY NO.	PART NO.	DESCRIPTION
1	532059192	Cap, Valve, Tire
2	532065139	Stem, Valve
3	532141624	Rim Assembly, Front
4	532008134	Tube, Front (Service Item Only)
5	532106230	Tire, Front
6	532000278	Fitting, Grease
7	532124959	Bearing, Flange (Front Wheel Only)
8	532141625	Rim Assembly, Rear
9	532007154	Tube, Rear (Service Item Only)
10	532105588	Tire, Rear
11	532124860	Fitting, Grease
12	532124578	Cover Wheel 8" White
13	532124579	Cover, Wheel 12" White

NOTE: All component dimensions given in U.S. inches
1 inch = 25.4 mm

REPAIR PARTS

20 HP 50" TRACTOR - MODEL NO. GTH200 (HN20H50A), PRODUCT NO. 954 00 06-82
ELECTRICAL



REPAIR PARTS

20 HP 50" TRACTOR - MODEL NO. GTH200 (HN20H50A), PRODUCT NO. 954 00 06-82

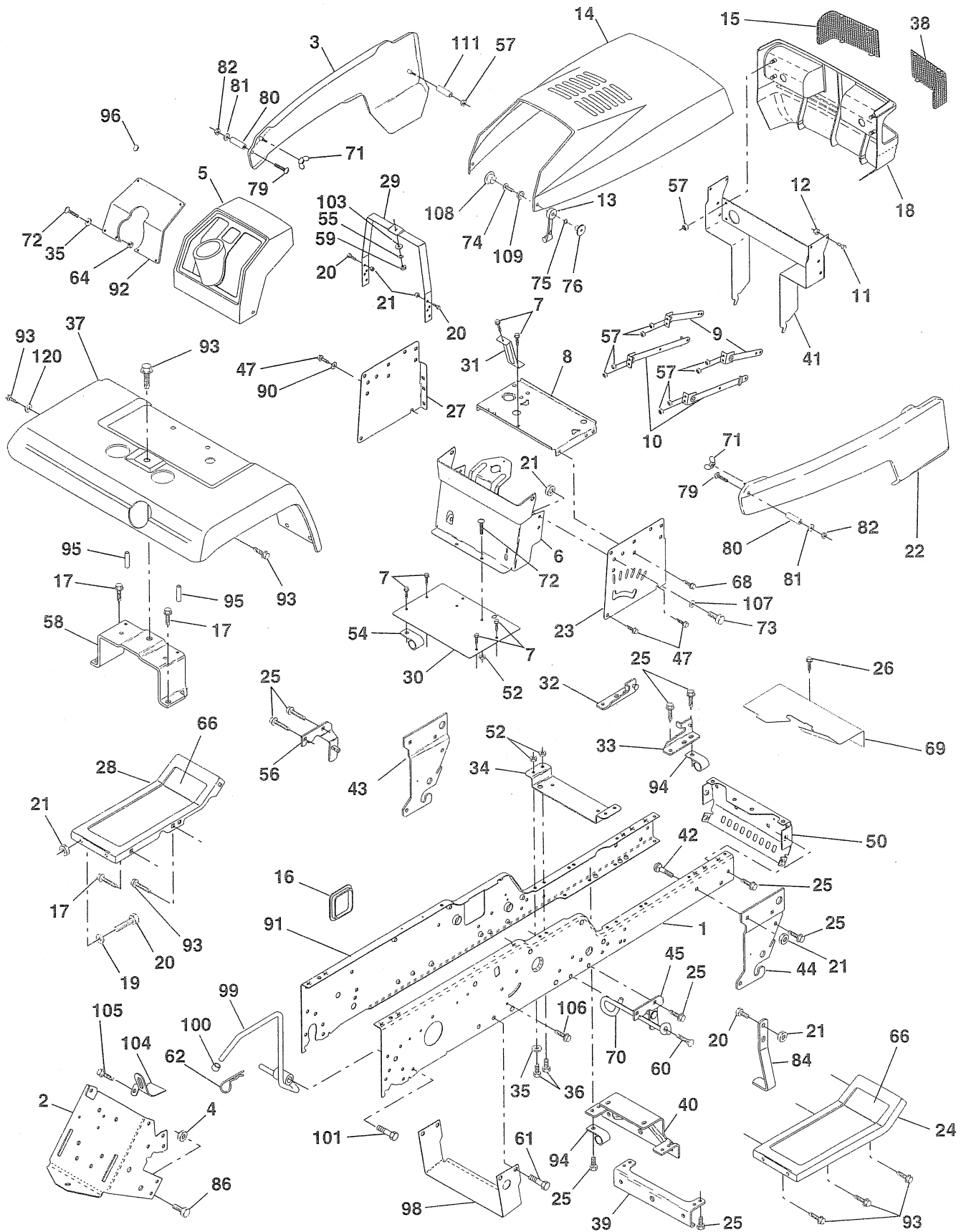
ELECTRICAL

KEY NO.	PART NO.	DESCRIPTION
1	532121537	Battery
2	874760412	Bolt Hex Head 1/4-20 x 3/4
3	810040400	Washer, Lock 1/4
4	819091016	Washer 9/32 x 5/8 x 16 Ga
5	532121264	Caps, Battery
6	873220400	Nut Fin Hex 1/4-20
7	532007697	Tube Plastic
8	532124886	Tray, Battery
9	532109596	Clamp, Hose
10	872240460	Bolt, Carriage 1/4-20 x 7-1/2
11	532102476	Guard Terminal
12	532123198	Nut, Wing 1/4-20
19	810090400	Washer, Lock 1/4
20	873350400	Nut, Jam Hex 1/4-20
21	532127441	Harness Socket Light
22	532004152	Bulb Light
23	811150400	Washer, Lock Int. Tooth 1/4
24	532124780	Cable, Starter
25	532124770	Cable, Battery
26	532108824	Fuse
28	532124773	Cable, Ground
29	532121305	Switch, Plunger
30	532140399	Switch, Ign
31	532140400	Nut, Ignition Switch
32	532141226	Cover Switch Key
33	532140401	Key
34	532110712	Switch, Light
37	532109553	Intlk Switch
40	532140430	Harness Ign.
41	817720408	Screw 1/4-20 x 1/2
42	532131563	Cover, Terminal Red
43	532138406	Solenoid
50	532140404	Switch, PTO
51	532140405	Ring Retainer PTO
53	871031008	Screw Hex Washer Hd #10-32 x 1
54	873951000	Nut Keps #10-32
58	532127385	Sensor Lo-Volt
59	532110940	Meter Hour
50	817011008	Screw #10-24 x 1/2
61	532126519	Light Pkg Asm
62	532110143	Bulb, Light Pkg.

NOTE: All component dimensions given in U.S. inches
1 inch = 25.4 mm

REPAIR PARTS

20 HP 50" TRACTOR - MODEL NO. GTH200 (HN20H50A), PRODUCT NO. 954 00 06-82
CHASSIS AND ENCLOSURES



REPAIR PARTS

20 HP 50" TRACTOR - MODEL NO. GTH200 (HN20H50A), PRODUCT NO. 954 00 06-82

CHASSIS AND ENCLOSURES

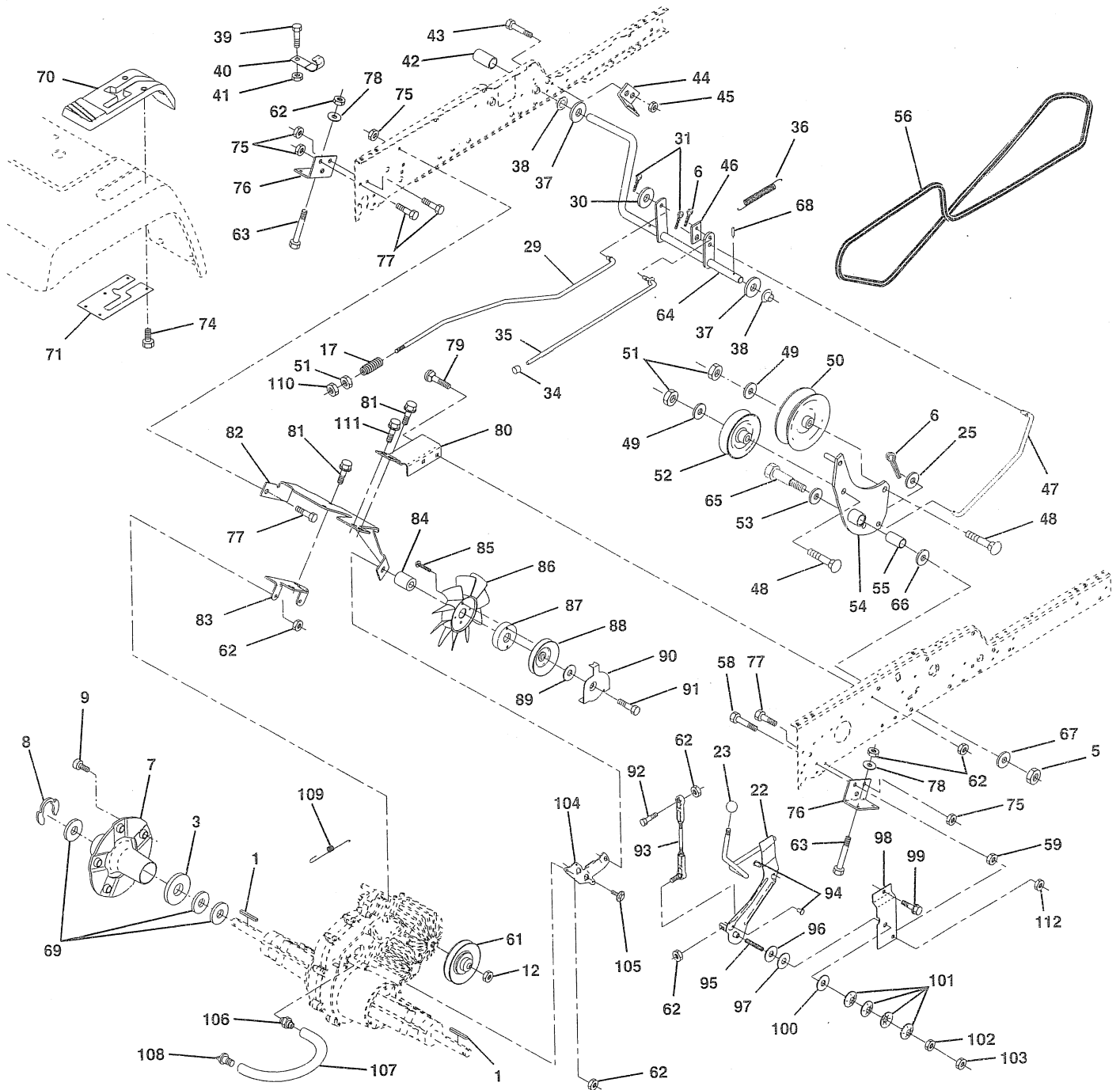
KEY NO.	PART NO.	DESCRIPTION	KEY NO.	PART NO.	DESCRIPTION
1	532140505	Rail, Frame RH	54	532126470	Clip, Insulated
2	532140506	Drawbar, Gt	55	819091216	Washer 9/32 x 3/4 x 16 Ga.
3	532143364	Panel Asm., Side LH	56	532138461	Bracket Asm., Susp Chassis Lh
4	873800700	Nut, Lock Hex 7/16 Unc	57	873510400	Nut Keps Hex 1/4-20
5	532140452	Dash, Plastic Black	58	532137113	Bracket Asm., Fender
6	532140638	Dash Asm., Lower	59	873220400	Nut Fin Hex 1/4-20
7	817720408	Screw, Thd Cut 1/4-20 x 1/2	59	873220400	Nut, Fin Hex 1/4-20
8	532140229	Support, Battery	60	817490620	Screw Thdrol 3/8-16 x 1-1/4
9	532104618	Strap, Asm. Hinge Front	61	817490612	Screw Thdrol. 3/8-16 x 3/4
10	532106784	Strap, Asm. Hinge Rear	62	532124788	Retainer Spring
11	532123481	Bolt Shoulder 1/4-20	64	873510500	Nut 5/16-18
12	873800400	Nut Crownlock 1/4-20	66	532108256	Pad, Footrest
13	532109808	Latch, Chute Blk	68	817490508	Screw, Thdrol 5/16-18 x 1/2
14	532125007	Hood Asm., Pnt	69	532140022	Shield, Heat
15	532124251	Lens, Headlight RH	70	532137159	Guide, Belt Mid Span
16	532121794	Cover, Access	71	532123198	Nut, Plastic Locking Wing 1/4-20
17	817490612	Screw, Thdrol 3/8-16 x 3/4	72	874180512	Screw, Mach Trhd 5/16-18 x 3/4
18	532127320	Grille	73	874780616	Bolt, Fin Hex 3/8-16 x 1 Gr. 5
19	819131312	Washer 13/32 x 13/16 x 12 Ga.	74	874191008	Screw, Machine #10-24
20	874760616	Bolt, Fin Hex 3/8-16 x 1	75	810071000	Washer, Lock #10
21	873800600	Nut, Lock Hex W/Wsh 3/8-16 Unc	76	532125004	Nut, Weld #10-24
22	532143365	Panel Asm., Side RH	79	874981020	Screw, Machine #10-24 x 1/4
23	532121045	Panel, Dash Side RH	80	532007206	Spacer, Split
24	532124914	Footrest, RH	81	819070818	Washer 7/32 x 1/2 x 18 Ga.
25	817490612	Screw, Thdrol 3/8-16 x 3/4	82	873731000	Nut #10-24
26	817490512	Screw, Thdrol 5/16-18 x 3/4	84	532138952	Stop, Over Center Mower
27	532121046	Panel, Dash Side LH	86	874760716	Bolt, Fin Hex 7/16-14 Unc x 1
28	532124899	Footrest, LH	90	811050600	Washer, Lock External Tooth 3/8
29	532124130	Bracket, Support Dash	91	532140504	Rail, Frame Lh
30	532140493	Saddle	92	532141626	Plate, Silkscreen Dash
31	532137556	Brace, Support Steering	93	817490608	Screw, Thdrol 3/8-16 x 1/2
32	532141315	Bracket Asm., Frame Pivot Lh	94	532100207	Clip, Fuel Line
33	532141314	Bracket Asm., Frame Pivot Rh	95	532105531	Push Nut, Nylon
34	532136963	Bracket, Engine Support Rear	96	532125085	Plug, Hole
35	819111116	Washer 11/32 x 11/16 x 16 Ga.	98	532140503	Bracket Chassis Skid
36	874780512	Bolt, Fin Hex 5/16-18 x 3/4	99	532140871	Rod Asm. Bypass
37	532141449	Fender, Pnt.	100	532124236	Cap Brake Parking Red
38	532124250	Lens Headlight LH	101	817490628	Screw, Thdrol. 3/8-16 x 1-3/4
39	532136961	Bracket, Axle Front	103	810040400	Washer, Lock 1/4
40	532136962	Bracket, Support Axle/Engine	104	532142273	Bracket Lock Bypass
41	532140625	Support Asm. Grille	105	817490508	Screw Thdrol. 5/16-18 x 1/2
42	872140608	Bolt, Carriage 3/8-16 x 1	106	817580520	Screw Thdrol. 5/16-18 x 1.25
43	532136939	Bracket, Spnsn Front Lh	107	874780616	Washer 13/32 x 1 x 14 Ga.
44	532136940	Bracket, Spnsn Front Rh	108	532110356	Cap, Snap Black
45	532138460	Bracket Asm., Susp Chassis Rh	109	532110357	Cap, Washer Snap
47	817490608	Screw Thdrol 3/8-16 x 1/2	111	532001260	Spacer
50	532136575	Bracket, Chassis Front			
52	873800500	Locknut, Hex W/Ins 5/16-18 Unc			

NOTE: All component dimensions given in U.S. inches
1 inch = 25.4 mm

REPAIR PARTS

20 HP 50" TRACTOR - MODEL NO. GTH200 (HN20H50A), PRODUCT NO. 954 00 06-82

GROUND DRIVE



REPAIR PARTS

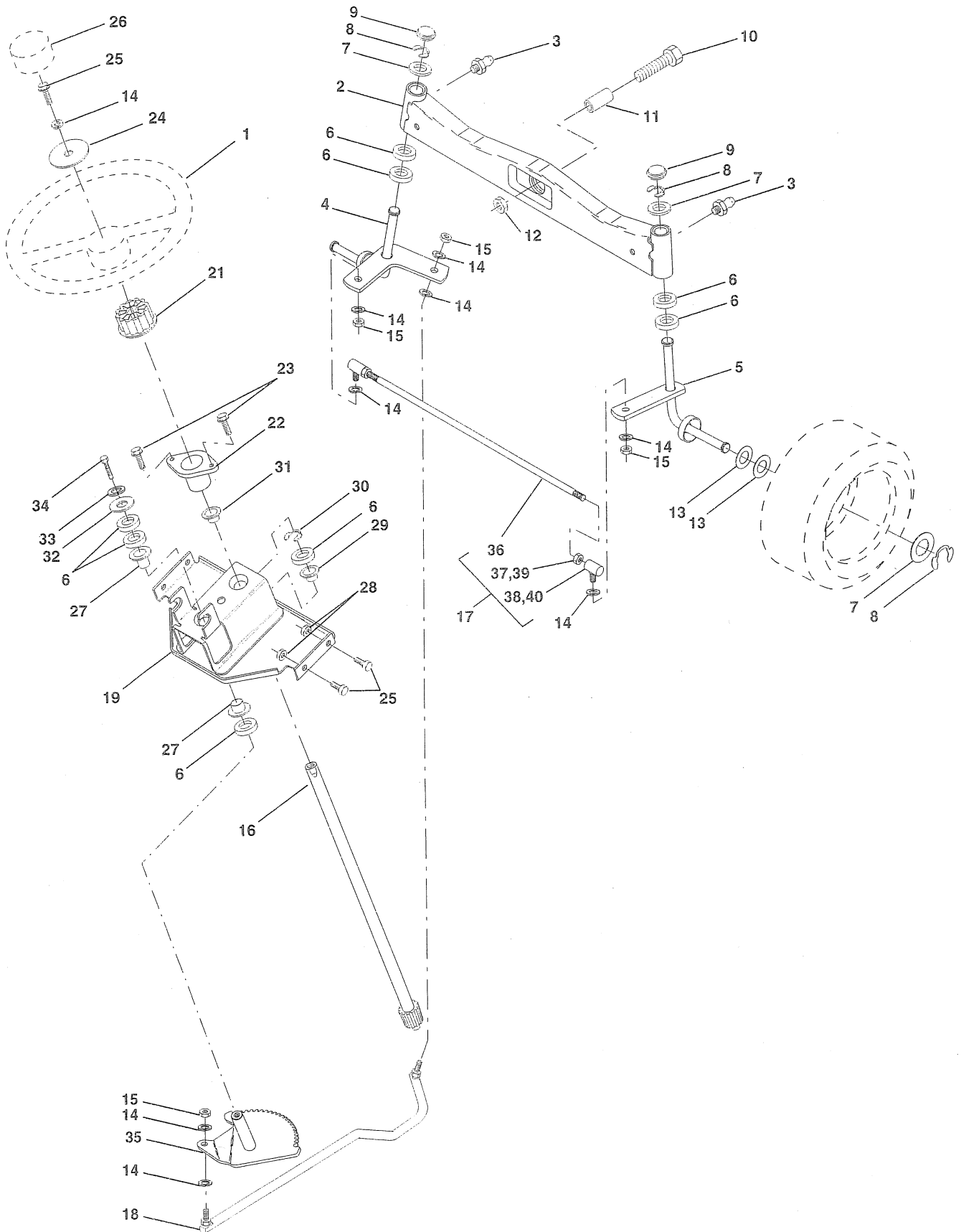
20 HP 50" TRACTOR - MODEL NO. GTH200 (HN20H50A), PRODUCT NO. 954 00 06-82
GROUND DRIVE

KEY NO.	PART NO.	DESCRIPTION	KEY NO.	PART NO.	DESCRIPTION
1	532007070	Key 1/4 x 2.5	68	532005142	Pin Roll
3	532007563	Washer Thrust Axle Harden	69	819332616	Washer
5	873680600	Nut Crownlock 3/8-16	70	532139989	Console Hydro Fender
6	876020412	Pin Cotter 1/8 x 3/4	71	532140927	Plate Console Shift
7	532140507	Wheel Hub Asm.	74	532142432	Screw, Hex Wsh Hi-Lo 1/4-1/2
8	812000053	Ring E	75	873800700	Nut Lock Hex 7/16
9	532140080	Bolt Hub	76	532140481	Bracket Transaxle
12	873940800	Nut Hex Jam Toplock 1/2-20	77	874760716	Bolt Fin Hex 7/16-14 x 1
17	532140921	Spring Rod Brake	78	819111212	Washer 11/32 x 3/4 x 12 Ga.
22	532140498	Shaft Arm Asm	79	872110505	Bolt Carriage 5/16-18 x 5/8
23	532140845	Knob	80	532140484	Bracket Torque RH
25	819131316	Washer 13/32 x 13/16 x 16 Ga.	81	817490612	Screw Thdrol 3/8-16 x 3/4
29	532140494	Brake Rod	82	532140482	Bracket Mount Torque/Fan
30	819131614	Washer 13/32 x 1 x 14Ga	83	532140479	Strap Torque Mid
31	876020312	Pin Cotter 3/32 x 3/4	84	532140490	Spacer
34	532071673	Cap Plunger	85	817541020	Screw #10-24 x 1-1/4
35	532137648	Rod Parking Brake	86	532140462	Fan 7" Hydro
36	532138364	Spring Extension	87	532140491	Adapter Fan
37	532121749	Washer 25/32 x 1-1/4 x 16 Ga.	88	532140492	Pulley Idler
38	532110895	Nyliner	89	819131312	Washer 13/32 x 13/16 x 12 Ga.
39	874321016	Screw Fin #10-24 x 1	90	532140489	Keeper Belt
40	532005304	Actuator Interlock Switch	91	817490644	Screw Thdrol 3/8-16 x 2-3/4
41	873631000	Nut Lock #10-24	92	874760520	Bolt Fin Hex 5/16-18 x 1.75
42	532123533	Cover Pedal	93	532140502	Link Shift Asm
43	874760412	Bolt Hex Head 1/4-20 x 3/4	94	532133835	Fastner Christmas Tree
44	532104601	Bracket Interlock	95	823200528	Screw Set 5/16-18 x 1.75
45	873800400	Nut Lock W/Insert 1/4-20	96	532141103	Washer Nickel Plated
46	532121358	Retainer Spring	97	532126874	Bearing Trust
47	532138228	Clutch Rod	98	532141004	Bracket Shift
48	872110614	Bolt Carriage 3/8-16 x 1-3/4 Gr. 5	99	817490624	Screw Thdrol 3/8-16 x 1-1/2
49	819131413	Washer 13/32 x 7/8 x 13 Ga	100	532126881	Washer Compression
50	532131494	Pulley Idler Flat	101	532059285	Washer Bellville
51	873800600	Nut Lock Hex 3/8-16	102	873560500	Nut Hex Nylok
52	532139123	Pulley Idler Grooved	103	873350500	Nut Hex Jam 5/16-18
53	532000207	Washer Hardened	104	532140480	Bracket Idler
54	532138390	Clutch Arm Asm	105	817580408	Screw Tap 1/4-20 x 1/2
55	532105706	Bearing, Idler	106	532142576	Fitting Vent Hose
56	532140218	V-Belt	107	532142577	Vent Hose
58	874760724	Bolt Fin Hex 7/16-14 x 1-1/2	108	532142578	Cap Vent
59	873220700	Nut Hex 7/16-14	109	532140929	Spring Return Brake
61	532140488	Pullery Transaxle	110	873350600	Nut, Hex Jam 3/8-16
62	873800500	Locknut Hex W/Washer Insert	111	532088652	Screw, Hinge
63	874780548	Bolt Fin Hex 5/16-18 x 3	112	873680700	Nut, Crownlock 7/16-14
64	532137649	Shaft Asm Brake Parking Clutch	--	532140343	Transaxle Hydro
65	532067609	Bolt Shoulder			
66	532140296	Washer Hardened			
67	819131312	Washer 13/32 x 13/16 x 12 Ga			

NOTE: All component dimensions given in U.S. inches
1 inch = 25.4 mm

REPAIR PARTS

20 HP 50" TRACTOR - MODEL NO. GTH200 (HN20H50A), PRODUCT NO. 954 00 06-82
STEERING ASSEMBLY



REPAIR PARTS

20 HP 50" TRACTOR - MODEL NO. GTH200 (HN20H50A), PRODUCT NO. 954 00 06-82
STEERING ASSEMBLY

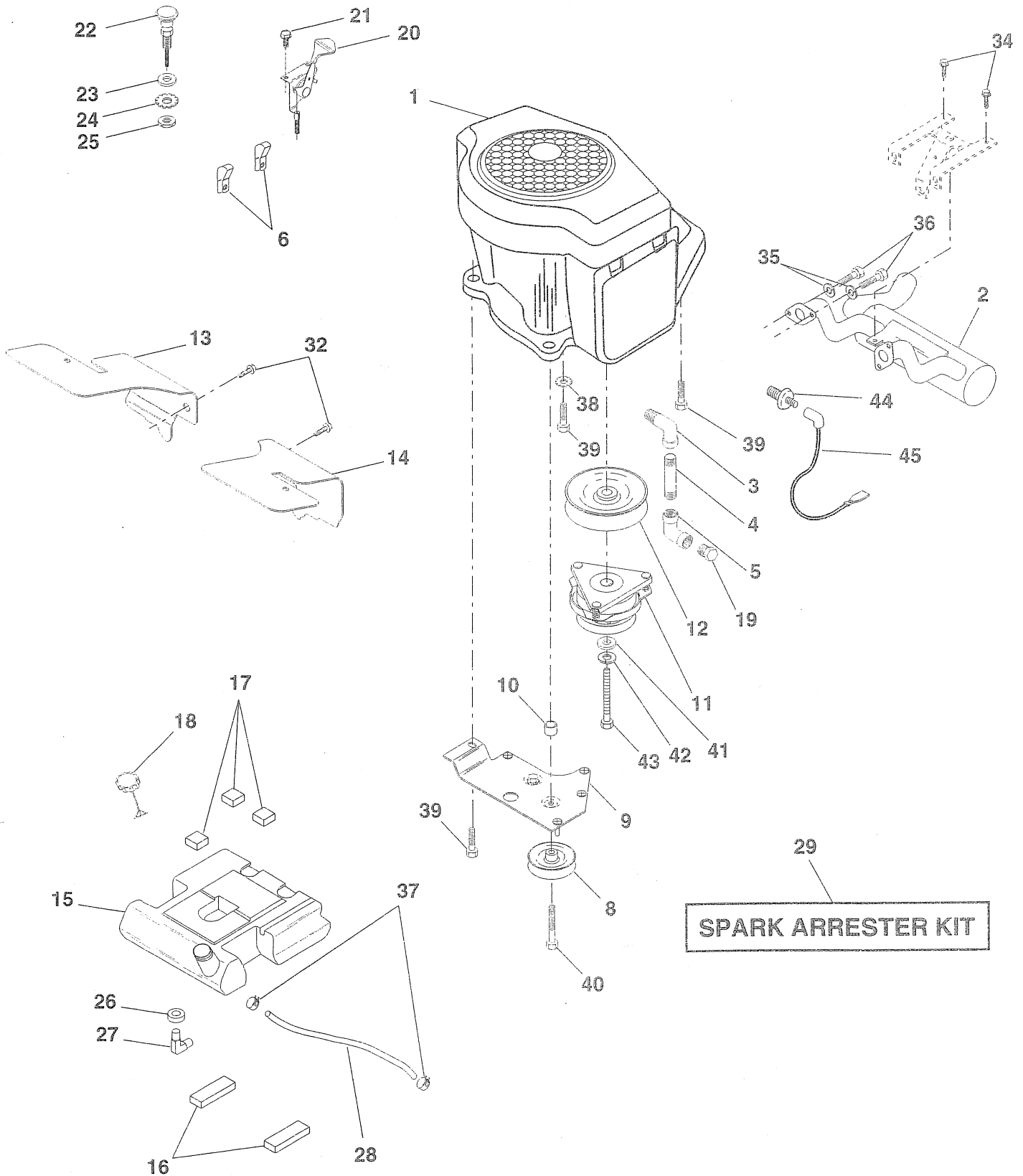
KEY NO.	PART NO.	DESCRIPTION
1	532124415	Wheel, Steering
2	532137094	Axle Asm., Front
3	532124836	Fitting, Grease
4	532136960	Spindle Asm, LH
5	532136959	Spindle Asm., RH
6	532124956	Bearing, Race Thrust Harden
7	532121748	Washer 25/32 x 1-5/8 x 16 Ga.
8	812000029	Ring, Klip #T5304-75
9	532121232	Cap, Spindle
10	874781044	Bolt, Fin Hex 5/8-11 x 2-3/4
11	532136518	Spacer, Brg. Axle Front
12	873901000	Nut, Lock Flange 5/8-11 Unc
13	532121749	Washer 25/32 x 1-1/4 x 16 Ga.
14	810040600	Washer, Lock Hvy Hlcl Spr 3/8
15	873610600	Nut, Fin Hex 3/8-24 Unf
16	532104591	Shaft Asm., Steering
17	532137347	Rod Asm., Tie Ball J Ball Vgt (Inc. Key No. 36-40)
18	532137155	Draglink, Ball Joint Solid Vgt
19	532138053	Support Asm., Steering Vgt
21	532100711	Adapter, Wheel Steering
22	532124720	Bushing, Strg. Blk
23	817431008	Screw, Slftp #10-16 x 1/2 Ty-b
24	819133808	Washer 13/32 x 2-3/8 x 8 Ga.
25	874780616	Bolt, Fin Hex 3/8-16 x 1 Gr. 5
26	532124416	Cap, Wheel Steering
27	532124937	Bearing, Col. Strg.
28	873800600	Nut, Lock Hex W/Wsh 3/8-16 Unc
29	532104239	Bearing, Flange
30	812000034	Ring, Klip Truarc #5304-75
31	532138136	Bushing, Nyliner Snap
32	819111610	Washer 11/32 x 1 x 10 Ga.
33	810040500	Washer, Lock Hvy Hlcl Spr 5/16
34	874760512	Bolt, Hex Hd 5/16-18 x 3/4
35	532138059	Gear, Sector Steering
36	532137156	Tie Rod
37	873360600	Jam Nut RH Thread
38	532109850	Joint Asm. Ball RH Thread
39	873700600	Jam Nut LH Thread
40	532109851	Joint Asm. Ball LH Thread

NOTE: All component dimensions given in U.S. inches
1 inch = 25.4 mm

REPAIR PARTS

20 HP 50" TRACTOR - MODEL NO. GTH200 (HN20H50A), PRODUCT NO. 954 00 06-82

ENGINE



REPAIR PARTS

20 HP 50" TRACTOR - MODEL NO. GTH200 (HN20H50A), PRODUCT NO. 954 00 06-82
ENGINE

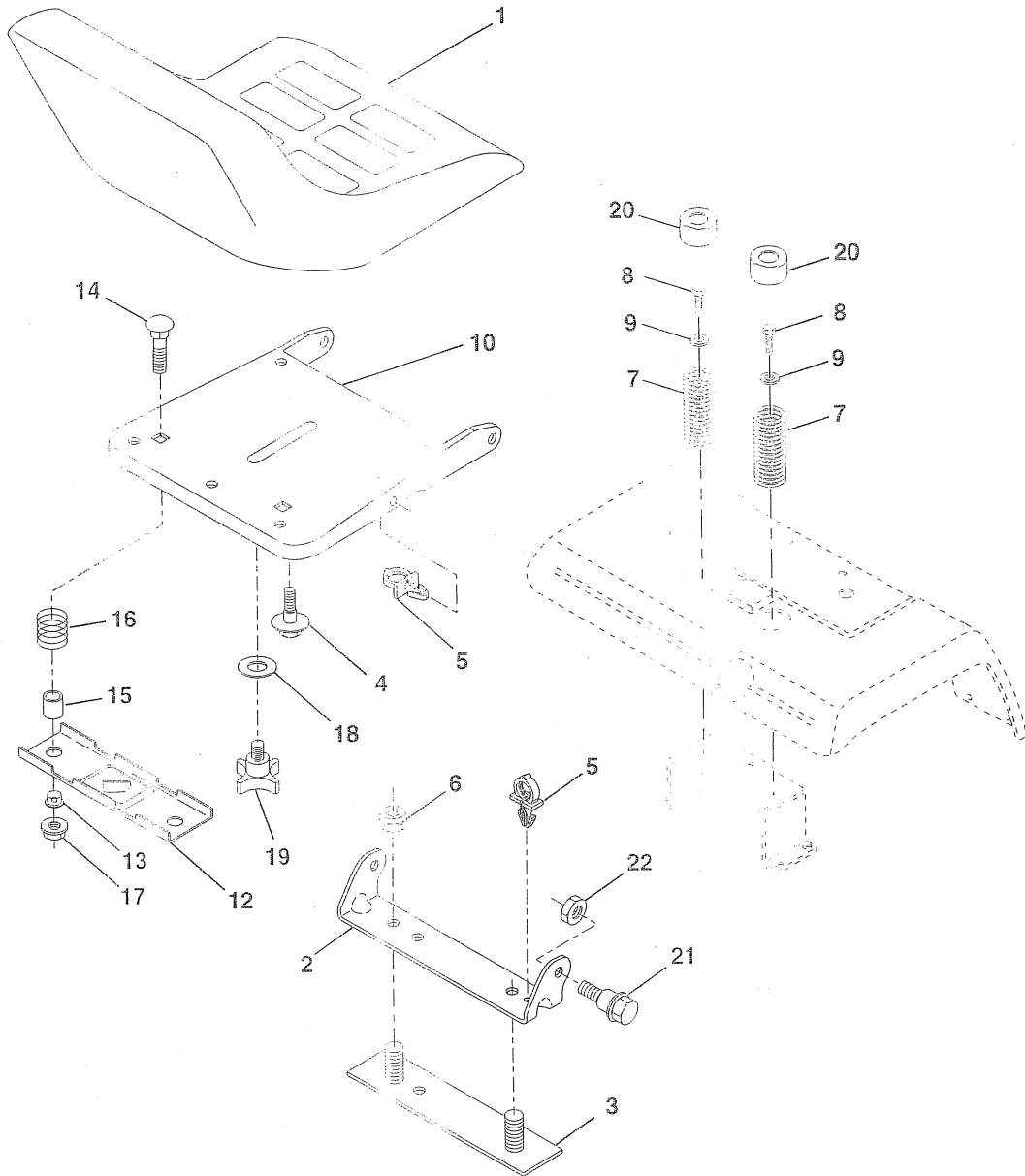
KEY NO.	PART NO.	DESCRIPTION
1	-----	Engine Kohler, Model No. MV20S
2	532144110	Muffler Asm Kohler VGT (Inc. Key No. 34)
3	813240300	Elbow Street 3/8 NPT
4	813280328	Nipple Pipe 3/8NPT X 3 - 1/2
5	813200300	Elbow STD 90 Degree 3/8 - 18 NPT
6	532138129	Clamp Tube Double Engine
8	532121361	Pulley V-Idler
9	532138559	Stop Keeper Asm VGT
10	532105432	Bushing
11	532137140	Clutch Electric
12	532136907	Pulley Engine VGT Elect Clutch
13	532138486	Baffle Air LH Koh VGT
14	532138487	Baffle Air RH Koh VGT
15	532141070	Tank Fuel W/Sym Vented
16	532109227	Pad Spacer
17	532106082	Pad Spacer
18	532140527	Cap Asm Fuel W/Sym Vented
19	813290300	Plug Oil Drain (Order From Engine Manufacturer)
20	532142168	Control Throttle
21	817720410	Screw Hex Thd Cut 1/4 - 20 X 5/8
22	532138672	Control Choke
23	819131316	Washer 13/32 X 13/16 x 16 Ga
24	811050600	Washer Ext Tooth 3/8
25	873610600	Nut Fin Hex 3/8 - 24 UNF.
26	532124952	Bushing
27	532139277	Stem Tank Fuel
28	532124703	Fuel Line
29	532132920	Spark Arrester Kit
32	817490508	Screw Thdrol 5/16 - 18 X 1/2
34	817720408	Screw Thd Cut 1.4 - 20 x 1/2
35	810040500	Washer Lock 5/16
36	874570512	Screw Hex 5/16 - 16 UNC X 3/4
37	532123487	Clamp Hose
38	811050600	Lockwasher Ext Tooth 3/8
39	817490624	Screw Thdrol 3/8 - 16 X 1 - 1/2 TT
40	817490652	Screw Thdrol 3/8 - 16 X 3 - 1/4
41	532126197	Washer 1-1/2 OD X 15/32 ID X .250
42	810040700	Washer Lock 7/16
43	871170768	Bolt Hex 7/16-20 X 4-1/4 Ga 5
44	532142320	Switch Oil Sentry Kohler
45	532142321	Wire Lead Sentry Kohler

NOTE: All component dimensions given in U.S. inches
1 inch = 25.4 mm

REPAIR PARTS

20 HP 50" TRACTOR - MODEL NO. GTH200 (HN20H50A), PRODUCT NO. 954 00 06-82

SEAT ASSEMBLY



KEY NO.	PART NO.	DESCRIPTION
1	532141525	Seat
2	532140551	Bracket, Pivot Seat
3	532140675	Strap, Fender
4	532127018	Bolt, Shoulder 5/16-18 X .62
5	532140407	Clip, Push In
6	873800600	Loicknut 3/8-16 Unc
7	532124181	Spring, Seat Cprsn
8	817490508	Screw, Thdrol 5/16-18 X 1/2
9	819131614	Washer 13/32 X 1 X 14 Ga.
10	532140552	Pan, Seat
12	532121246	Bracket, Mounting Switch
13	532121248	Bushing, Snap

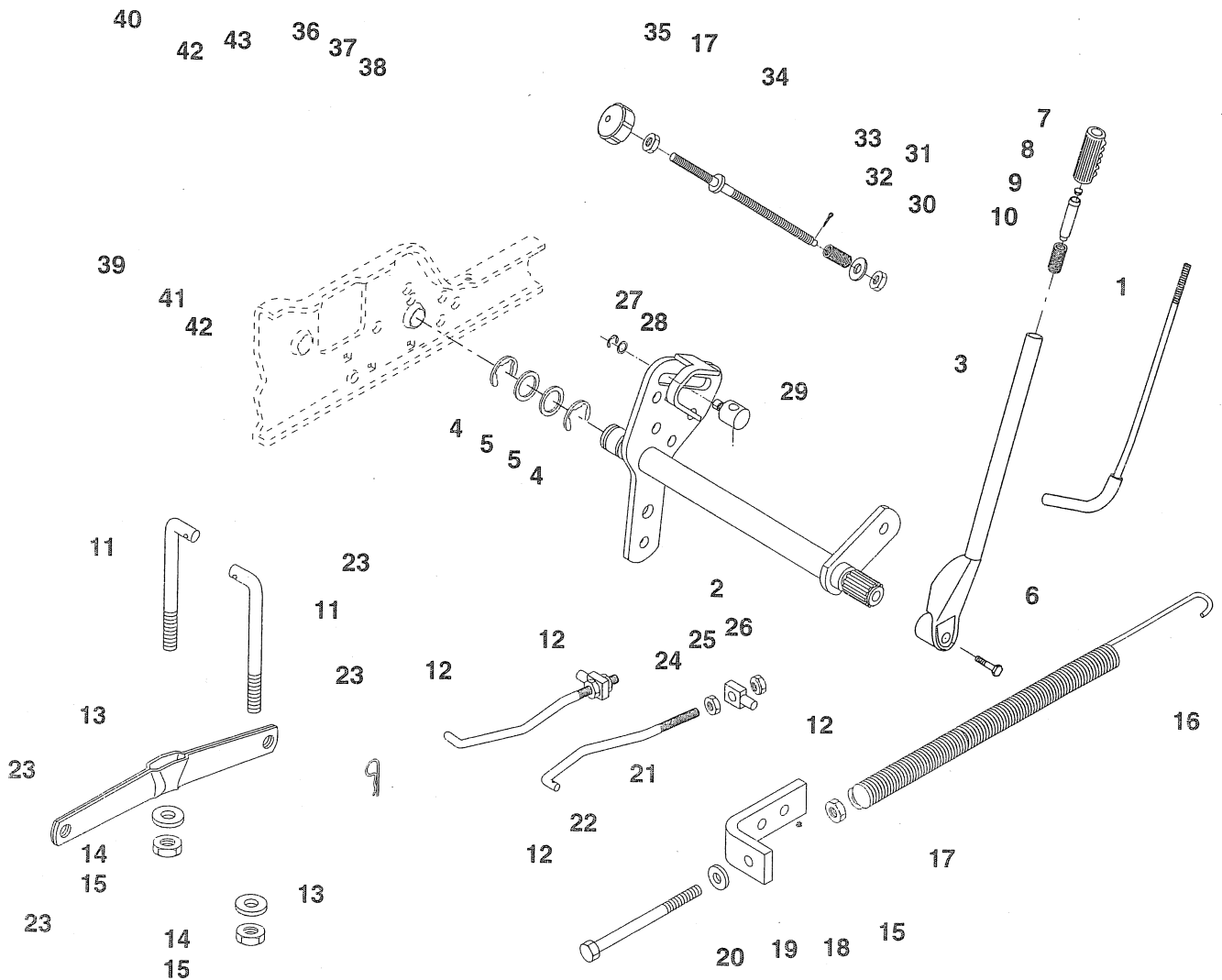
KEY NO.	PART NO.	DESCRIPTION
14	872050411	Bolt, Carriage 1/4-20 X 1-3/8
15	532121249	Spacer, Split
16	532123740	Spring, Cprsn
17	532123976	Nut, Lock 1/4 Lge Flg Gr. 5
18	819171912	Washer 17/32 X 1-3/16 X 12 Ga.
19	532120068	Knob, Seat 1/2-13 Unc
20	532124238	Cap, Spring Seat
21	532139888	Bolt, Shoulder 5/16-18 Unc
22	873680500	Nut, Crownlock 5/16-18 Unc

NOTE: All component dimensions given in U.S. inches
1 inch = 25.4 mm

REPAIR PARTS

20 HP 50" TRACTOR - MODEL NO. GTH200 (HN20H50A), PRODUCT NO. 954 00 06-82

LIFT ASSEMBLY



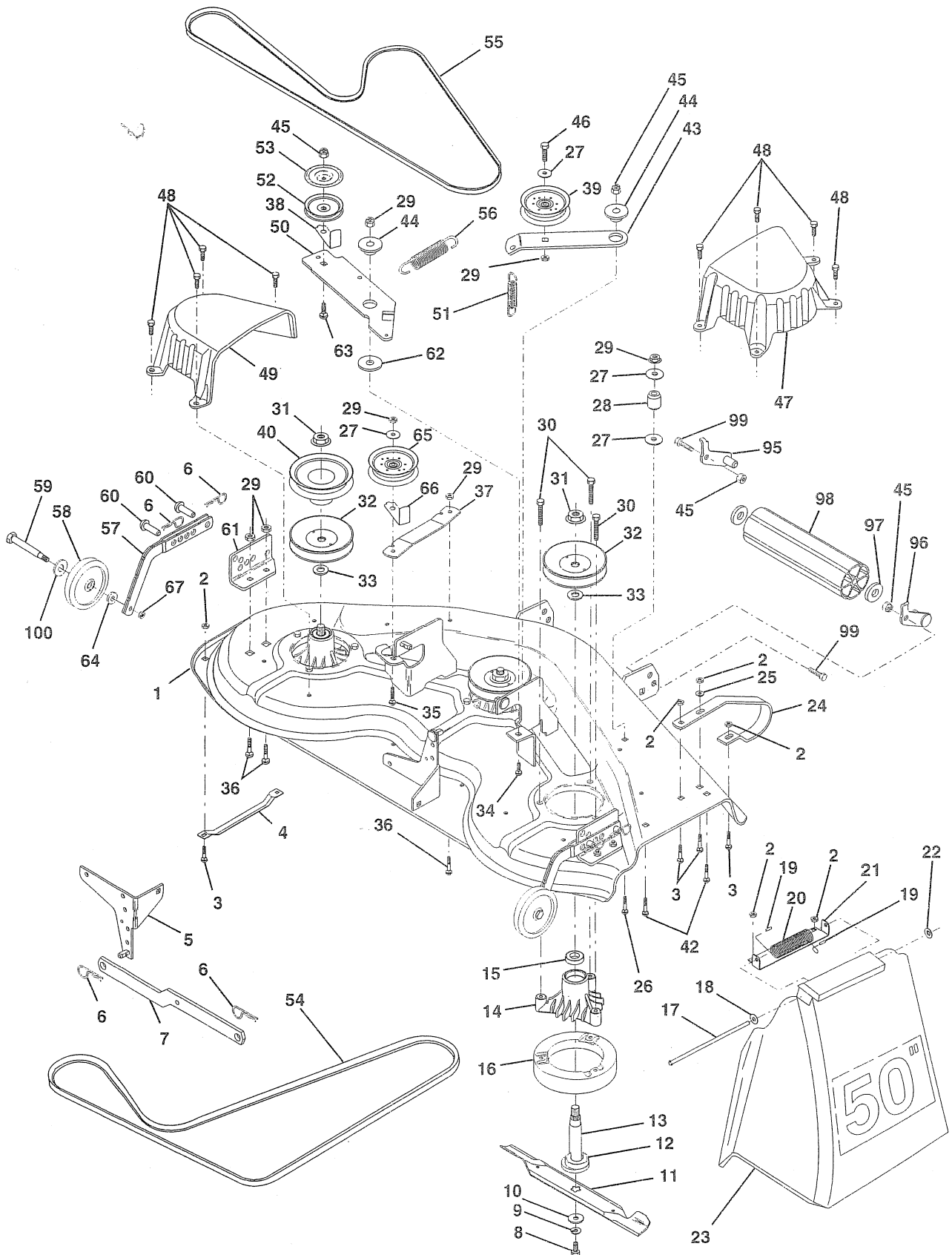
KEY NO.	PART NO.	DESCRIPTION
1	532121006	Rod Asm., Lever
2	532137295	Shaft Asm., Lift Vgt
3	532121002	Lever Asm., Lift Rh
4	812000022	E-Ring Truarc #5133-87
5	819292016	Washer 29/32 x 1-1/4 x 16 Ga.
6	874780624	Bolt, Fin Hex 3/8-16 x 1-1/2
7	532125631	Grip, Handle Fluted
8	532124526	Button, Plunger
9	532122364	Plunger, Lever Lift
10	532124874	Spring 2-1/8"
11	532142369	Link Lift
12	532124660	Retainer, Spring
13	532139867	Arm, Suspension Vgt
14	532140302	Bearing
15	873800600	Nut, Lock Hex W/Wsh 3/8-16 Unc
16	532124687	Spring Asm., Assist Lift
17	873350600	Nut, Hex Jam 3/8-16 Unc
18	532143363	Bracket, Spring Assist
19	819131316	Washer 13/32 x 13/16 x 16 Ga.
20	532005328	Bolt, Adjust Spring Assist
21	874760616	Bolt, Fin Hex 3/8-16 x 1
22	532127218	Link, Front
23	532124670	Retainer, Spring

KEY NO.	PART NO.	DESCRIPTION
24	873350800	Nut, Jam Hex 1/2-13 Unc
25	532130171	Trunnion
26	873800800	Nut, Lock W/Wsh 1/2-13 Unc
27	812000037	Ring, Klip #T5304-37
28	819151216	Washer 15/32 x 3/4 x 16 Ga.
29	532110810	Trunnion, Dp Stop Dbl Thds Plt
30	532110807	Nut, Special
31	819131016	Washer 13/32 x 5/8 x 16 Ga.
32	532137150	Spring, Compression Inf Hgt
33	876020308	Pin, Cotter 3/32 x 1/2
34	532137167	Rod, Adj Lift
35	532138057	Knob, Inf 3/8-16 Unc
36	817490612	Screw, Thdrol 3/8-16 x 3/4
37	532120529	Washer, Nylon
38	532138346	Pointer, Pnt Height Indicator
39	532123935	Plug, Hole
40	874780516	Bolt, Fin Hex 5/16-18 x 1
41	810040500	Washer, Lock Hvy Hlcl Spr 5/16
42	819112410	Washer 11/32 x 1-1/2 x 10 Ga.
43	532123934	Scale, Indicator Height

NOTE: All component dimensions given in U.S. inches
1 inch = 25.4 mm

REPAIR PARTS

20 HP 50" TRACTOR - MODEL NO. GTH200 (HN20H50A), PRODUCT NO. 954 00 06-82
MOWER DECK



REPAIR PARTS

20 HP 50" TRACTOR - MODEL NO. GTH200 (HN20H50A), PRODUCT NO. 954 00 06-

82

MOWER DECK

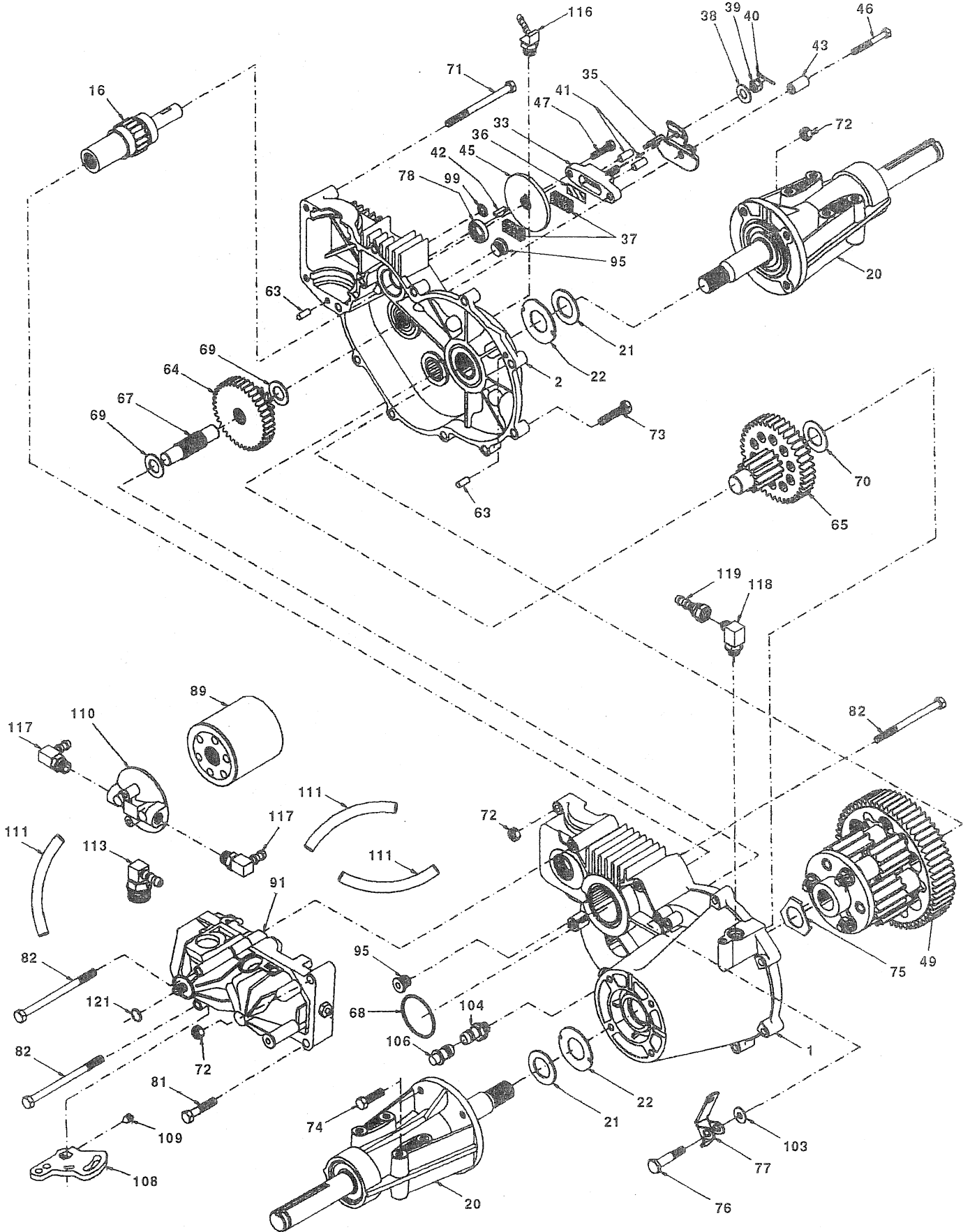
KEY NO.	PART NO.	DESCRIPTION	KEY NO.	PART NO.	DESCRIPTION
1	532136457	Deck Asm., Mower 50" Vented	42	872140506	Bolt, Carriage 5/16-18 Unc x 3/4
2	873800500	Locknut, Hex W/Ins 5/16-18 Unc	43	532136460	Arm, Idler Secondary
3	872110506	Bolt, Carriage 5/16-18 x 3/4	44	532122052	Spacer, Retainer
4	532125074	Runner, Mower LH	45	873680600	Nut, Crownlock 3/8-16 Unc
5	532138457	Bracket Asm., Sway Bar	46	874760628	Bolt, Fin Hex 3/8-16 Unc x 1-3/4
6	532124670	Retainer, Spring	47	532137200	Cover, Mandrel RH
7	532130832	Arm Suspension, Rear	48	532137729	Screw, Thd Roll 1/4-20 x 5/8
8	532850857	Bolt 3/8-24 x 1.25 Gr. 8 Patched	49	532136574	Cover, Mandrel LH
9	810030600	Washer, Lock Hvy 3/8 Unplated	50	532137272	Arm, Idler Primary
10	532140296	Washer, Hard Blade Mower Vented	51	532137273	Spring, Secondary
11	532137380	Blade (3 Required)	52	532139245	Pulley, Idler V Groove
12	532129895	Bearing, Ball #6204 (Mandrel)	53	532137789	Shield, Idler
13	532137553	Shaft Asm., W/Lower Brg (Includes Key No. 12)	54	532139573	V-Belt, Mower Primary
14	532137152	Housing, Mandrel 50" Vent	55	532138255	V-Belt, Mower Secondary
15	532110485	Bearing, Ball Mandrel	56	532138687	Spring, Primary
16	532136929	Stripper, Mower Vented	57	532136577	Bar Asm., Wheel Gauge
17	532106735	Rod, Hinge	58	532105455	Wheel, Gauge
18	819111016	Washer 11/32 x 5/8 x 16 Ga.	59	532124842	Bolt, Shoulder
19	532105304	Cap, Sleeve	60	532139031	Pin, Clevis
20	532123713	Spring, Torsion Deflector	61	532136573	Bracket, Wheel Gauge
21	532137607	Bracket, Deflector	62	532133943	Washer Hardened
22	532110452	Nut, Push	63	872110612	Bolt Carriage 3/8-16 x 1-1/2
23	532110509	Shield, Deflector Mower	64	819121414	Washer 3/8 x 7/8 x 14 Ga.
24	532136320	Runner, RH	65	532102493	Pulley Idler Flat Mower
25	819111216	Washer 11/32 x 3/4 x 16 Ga.	66	532139622	Keeper, Belt Idler 50" Vent
26	872110614	Bolt, Carriage 3/8-16 x 1-3/4 Gr. 5	67	873930600	Nut, Center Lock 3/8-16
27	819131316	Washer 13/32 x 13/16 x 16 Ga.	68	874760616	Bolt, Fin Hex 3/8-16 x 1
28	532132823	Spacer, Spring Stop Idler	69	532132273	Bracket, Asm. Noseroller RH
29	873800600	Nut, Lock Hex W/Wsh 3/8-16 Unc	70	532132274	Bracket, Asm. Noseroller LH
30	532138776	Screw Thdrol Hex Head	72	819171416	Washer 17/32 x 7/8 x 16 Ga.
31	532137266	Nut, Flg Top Lock Cntr 9/16	76	532132264	Roller, Nose
32	532129861	Pulley, Mandrel	100	819171512	Washer 17/32 x 15/16 x 12 Ga.
33	532129963	Washer, Spacer Mower Vented	--	532143651	Mandrel Asm (Includes Key Nos. 8-10, 12-15, 31 and 33)
34	872140610	Bolt, Carriage 3/8-16 x 1-1/4	--	532141051	Mower Asm Service (Std. Deck - Order separately all Nose Roller and all Gauge Wheel components)
35	872110616	Bolt, Carriage 3/8-16 x 2			
36	872110608	Bolt, Carriage 3/8-16 x 1 Gr. 5			
37	532137166	Stiffener, Arm Idler			
38	532137554	Keeper, Belt Idler			
39	532131494	Pulley, Idler Flat			
40	532136572	Pulley, Driven			

NOTE: All component dimensions given in U.S. inches
1 inch = 25.4 mm

REPAIR PARTS

20 HP 50" TRACTOR - MODEL NO. GTH200 (HN20H50A), PRODUCT NO. 954 00 06-82

TRANSAXLE HYDRO GEAR MODEL NUMBER 214-3010



REPAIR PARTS

20 HP 50" TRACTOR - MODEL NO. GTH200 (HN20H50A), PRODUCT NO. 954 00 06-82

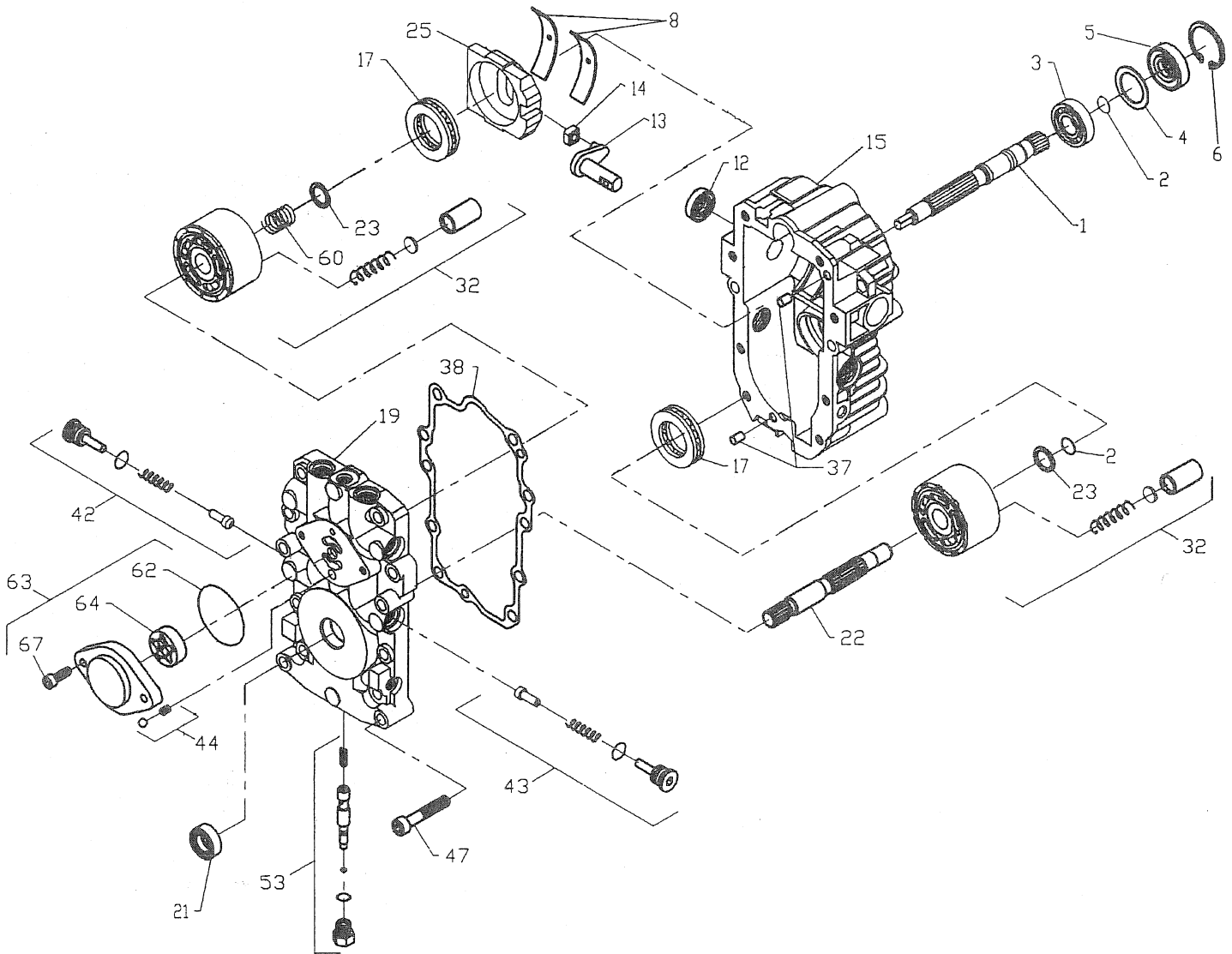
TRANSAXLE HYDRO GEAR MODEL NUMBER 214-3010

ITEM NO.	AYP PART NO.	DESCRIPTION
1	532142874	Assembly, Lh Housing
2	532142875	Assembly, Rh Housing
16	532142876	Brake Shaft Assembly
20	532142877	Axle Mounting Horn Ass'y
21	532142878	Washer, 1.0x1.63x.08
22	532142879	Washer, 1.0x2.06x.09
33	532142929	Brake Yoke Assembly
35	532142880	Brake Arm
36	532142882	Puck Plate
37	532142883	Brake Puck
38	532142884	Washer, 7/8odx7/16x.060
39	532142885	Castle Nut, 5/16-24
40	532142886	Cotter Pin
41	532142887	Brake Actuating Pin
42	532142888	Hi Pro Key
43	532142889	Spacer
45	532142890	Brake Disc
46	532142891	Bolt, 1/4-20 X 1-1/2
47	532142892	Bolt, 1/4-20 X 1
49	532142893	Differential Assembly
63	532142894	Dowel Pin
64	532142896	14t-38t Reduction Gear
65	532142897	Final Drive Pinion Ass'y
67	532142898	Jack Shaft
68	532142899	O Ring
69	532142900	Washer, 5/8 X 1-5/32
70	532142901	Washer, 7/8 X 1-1/2
71	532142902	Bolt, Hex 5/16-18 X 3.5
72	532142903	Hex Lock Nut, 5/16-18
73	532142904	Bolt, Hex 5/16-18 X 1-1/2
74	532142905	Hex Cap Screw, 5/16-18 X 1
75	532142906	Washer, Differential
76	532142907	Shoulder Bolt
77	532142908	Freewheel Actuating Arm
78	532142909	Oil Seal, .625 X 1.0 X .25
81	532142910	Bolt, Hex 5/16-18 X 1-3/4
82	532142911	Bolt, 5/16-18 X 4-1/2
89	532142912	Spin On Filter
91	532142913	Bdu-10l-118
95	532142914	Straight Thread Plug
99	532142915	Washer, 11/32 X 9/16
103	532142916	Washer
104	532142917	Cap-Vent Assembly
106	532142918	Fitting-O Ring Assembly
108	532142919	Control Arm
109	532142920	Set Screw
110	532142921	Filter Head
111	532142922	Hose, 5/16 X 12" Long
113	532142923	90° 7/8 Sae Fitting
116	532142924	45° 9/16 Sae Fitting
117	532142925	90° 9/16 Sae Fitting
118	532142926	90° Sae #6 Flare Male Fitting
119	532142927	90° Sae #6 Flare Female Fitting
121	532142928	Wire Retaining Ring

REPAIR PARTS

20 HP 50" TRACTOR - MODEL NO. GTH200 (HN20H50A), PRODUCT NO. 954 00 06-82

TRANSAXLE PUMP- - MODEL NUMBER BDU-10L-118



KEY PART NO. NO.

DESCRIPTION

KEY PART NO. NO.

DESCRIPTION

1	144569	Shaft, Pump	25	127148X	Swashplate, Variable
2	122716X	Ring, Retaining	32	144577	Block Assembly
3	122745X	Bearing, Ball	37	122786X	Pin, Stainless, Headless
4	122715X	Spacer	38	122718X	Gasket, Center Section
5	122700X	Seal, Lip	42	144578	Check Valve Kit
6	122699X	Ring, Retaining	43	144578	Check Valve Kit
8	122767X	Bearing, Cradle	44	144579	Charge Relief Kit
12	122717X	Seal, Lip	47	122752X	Screw, Socket Head, Cap
13	122748X	Arm, Trunnion	53	127153X	Bypass Valve Kit
14	122749X	Guide, Slot	60	144580	Block Spring
15	144571	Housing Kit, Transmission	62	144581	O-Ring
17	122770X	Bearing, Thrust, Ball	63	144582	Charge Pump Kit
19	144572	Center Section Kit	64	144583	Gerotor Assembly
21	122722X	Seal, Lip	67	144584	Screw, Socket Head, Cap
22	144573	Shaft, Motor	--	144576	Pump Assembly, Complete
23	144574	Washer, Block Thrust			