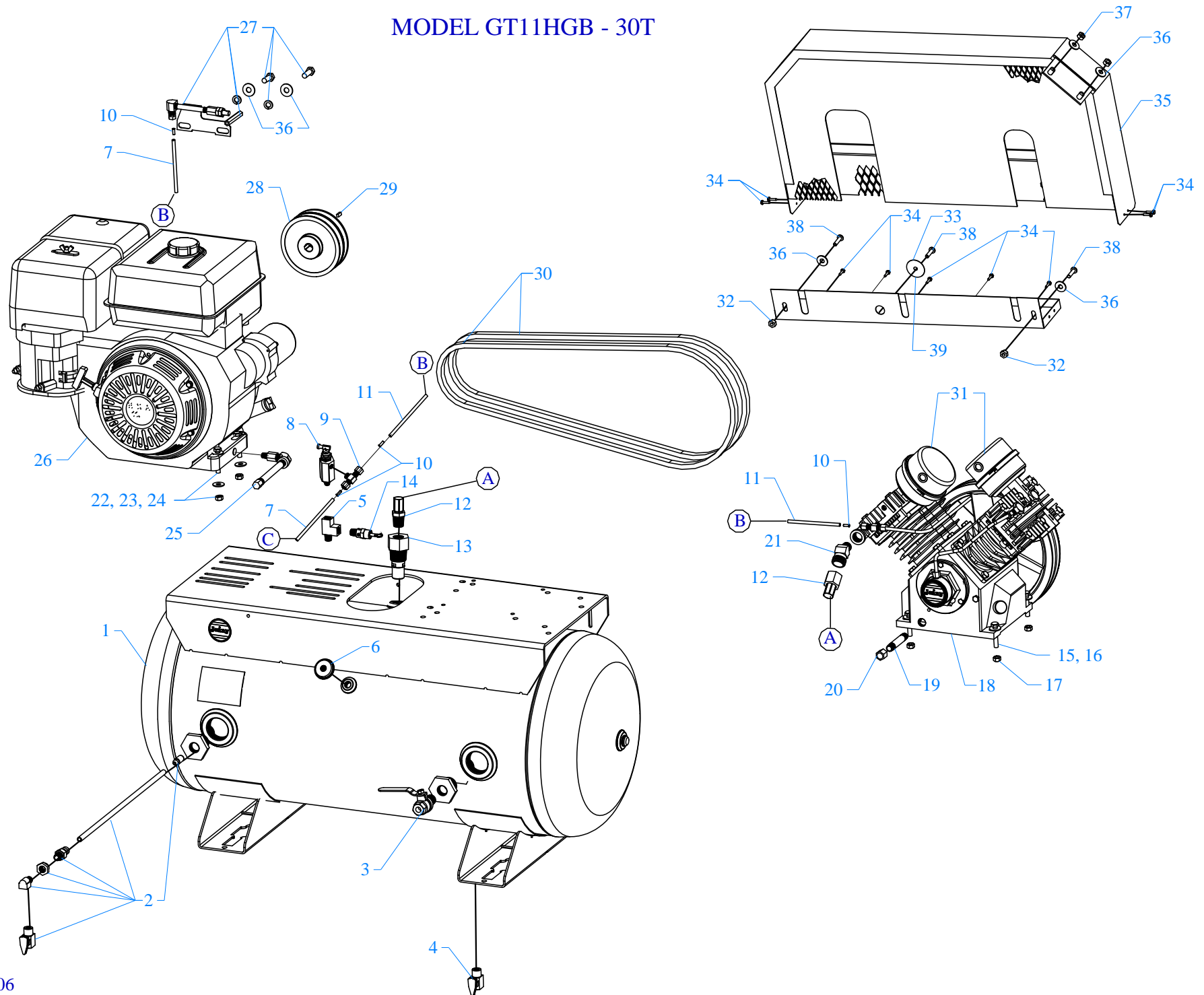


MODEL GT11HGB - 30T



Parts List for Model GT11HGB-30T

NOTE: The quantity number indicates the total number of pieces required for a complete unit repair.
When ordering parts give compressor model, serial number and part number. Order assemblies when possible.

<u>REF. NO.</u>	<u>PART NO.</u>	<u>DESCRIPTION</u>	<u>QTY.</u>
1	411-1159	TANK,HRZNTL,30G,UM,G&GC>&J&W	1
2	360-1086	BUCKET HIGH TANK DRAIN ASSY.	1
3	141-1078	VALVE,BALL,OUTLET,1/4 TURN,1/2"M X 1/2"F	1
4	141-1077	VALVE,BALL,LEVER,1/4 TURN,1/4"M X 1/4"F	1
5	121-1189	TEE,STREET,BRASS,1/4"NPT	1
6	142-1003	GAUGE,PSI,200#,BK MT,JENNY,1.5,1/4",PG14	1
7	610-1087	TUBE,CONTROL,NYLON,W/SLEEVE,1/4"X33"LG	1
8	141-1048	VALVE,PILOT,W/HAND UNLOADER,175PSI,1/4"M	1
9	121-1039	TEE,BRANCH,BRASS,1/4"TBX1/4"TBX1/8"NPTM	1
10	121-1048	INSERT,TUBING,BRASS,1/4"OD NYLON	4
11	610-1092	TUBE,CONTROL,NYLON,W/SLEEVE,1/4"X14"LG	1
12	360-1385	AFTERCOOLER,HOSE,SS,TEFLON,5/8"ODX11-1/2	1
13	141-1102	VALVE,CHECK,1" X 1/2"	1
14	141-1011	VALVE,SAFETY,ASME,1/4",200 PSI	1
15	120-1009	SCREW,CAP,HEXHD,GR5,ST,PLTD,1/4-20X1-1/4	4
16	120-1071	WASHER,FLAT,STEEL,PLATED,USS,1/4"	4
17	120-1116	NUT,LOCK,FLANGE,HEX,SERR,ST,PLTD,1/4-20	4
18	421-1820	PUMP,CMPSR,PISTON,REPLCMT,BLUE,GTU	1
19	122-1039	NIPPLE,STEEL,SCH 40,3/8" X 5" L	1
20	122-1084	CAP,FEMALE,MI,3/8"NPT	1
21	121-1021	ELBOW,BRASS,MALE,45DEG,5/8-45SAEX1/2"NPT	1
22	120-1018	SCREW,FLANGE,HEX,SERR,ST,PLD,5/16-18X3/4	4
23	120-1075	WASHER,FLAT,STEEL,PLATED,5/16"	4

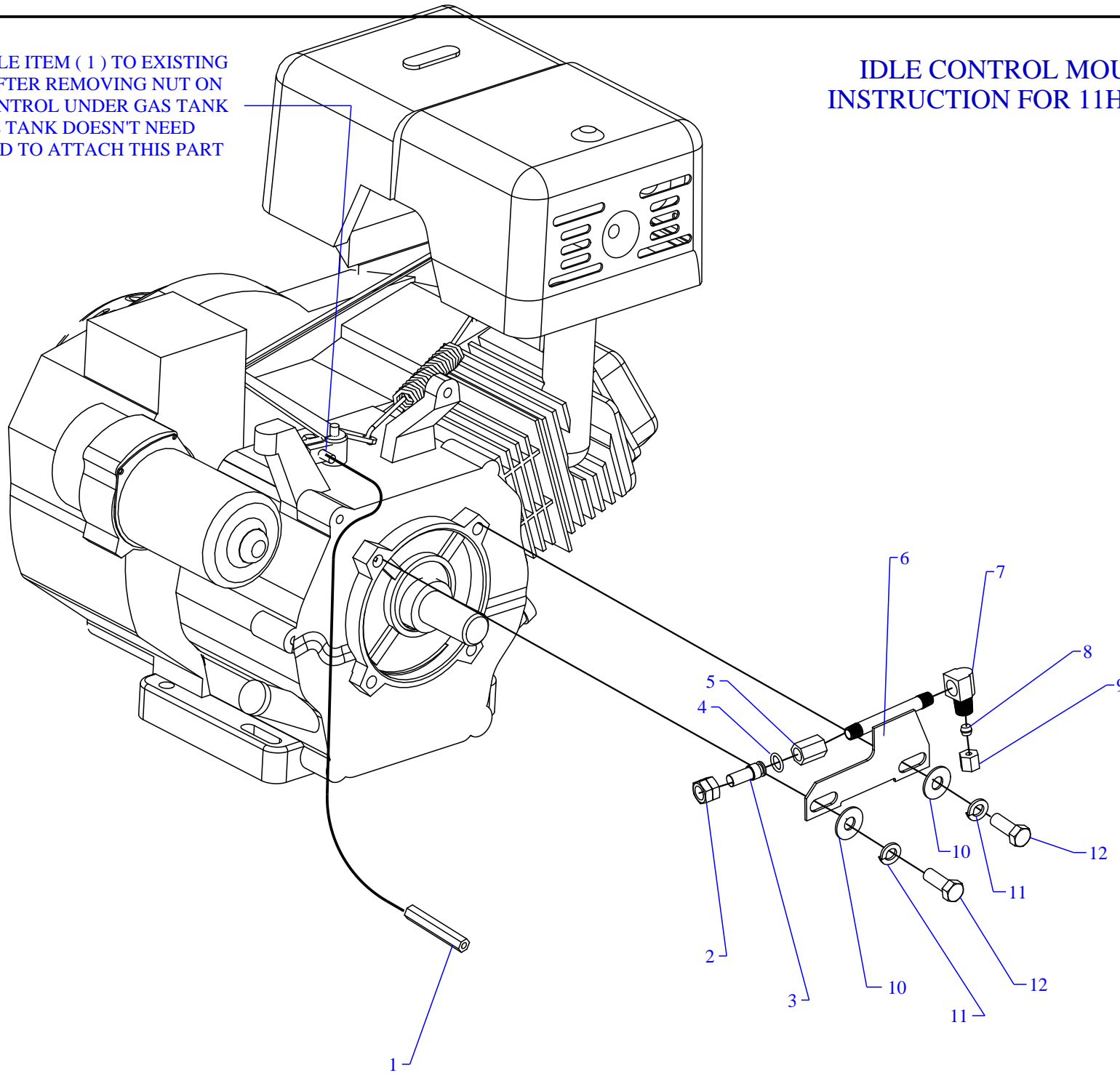
Parts List for Model GT11HGB-30T

NOTE: The quantity number indicates the total number of pieces required for a complete unit repair.
When ordering parts give compressor model, serial number and part number. Order assemblies when possible.

<u>REF. NO.</u>	<u>PART NO.</u>	<u>DESCRIPTION</u>	<u>QTY.</u>
24	120-1119	NUT,LOCK,FLANGE,HEX,SERR,ST,PLTD,5/16-18	4
25	610-1408	DRAIN,ENGINE,HONDA,8-13HP,ASSY	1
26	131-1023	ENGINE,GAS,HONDA,11 HP,E/S,GX340K1QAE2	1
27	321-1082	IDLE CNTRL 11HP HONDA ASSY	1
28	154-1044	PULLEY,CI,DG,4.0PDA,1-1/8ID,2AK44 X1-1/8	1
29	120-1109	KEY,STEEL,BLACK,5/16X5/16X 1-1/2" LENGTH	1
30	154-4L650	BELT,VEE,A63,4L-650	2
31	320-1121	FILTER,AIR,2PC,W/SILENCER&FILTER,G154	2
32	120-1116	NUT,LOCK,FLANGE,HEX,SERR,ST,PLTD,1/4-20	2
33	120-1072	WASHER,FENDER,ST,PLATED,1/4"X1-1/2"OD	1
34	120-1177	SCREW,SELF DRILL,HEX,ST,PL,12 X 3/4	9
35	320-1180	BELTGUARD,GT,W/PAN,4.13WX14.89HX30.25LG	1
36	120-1075	WASHER,FLAT,STEEL,PLATED,5/16"	4
37	120-1119	NUT,LOCK,FLANGE,HEX,SERR,ST,PLTD,5/16-18	2
38	120-1267	SCREW,PAN HD,PHIL,STEEL,PLTD,1/4-20 X 1"	3
NOT SHOWN	610-1225	KIT,ELEMENT,FILTER,G54E,PKG OF 4,G54EP	1
NOT SHOWN	105-1209	OIL,PUMP,SYNTHETIC,BLUE,1 QUART,ESQ	1
NOT SHOWN	634-2893907	FILTER,17210-ZE3-010	1

ASSEMBLE ITEM (1) TO EXISTING
BOLT AFTER REMOVING NUT ON
IDLE CONTROL UNDER GAS TANK
NOTE TANK DOESN'T NEED
REMOVED TO ATTACH THIS PART

IDLE CONTROL MOUNTING INSTRUCTION FOR 11HP HONDA



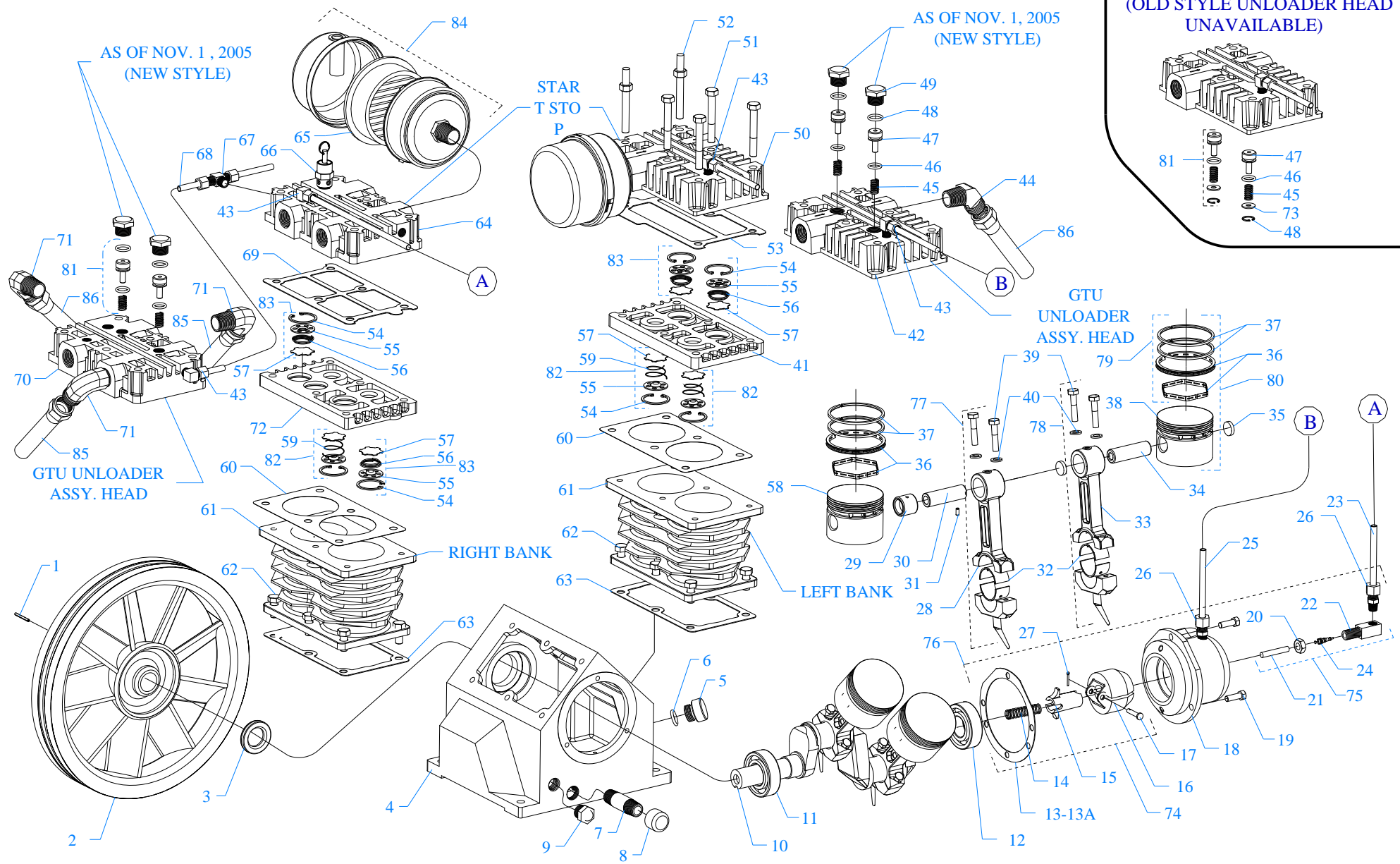
Parts List for 11&13HP Honda Throttle Idle Control

NOTE: The quantity number indicates the total number of pieces required for a complete unit repair.

When ordering parts give compressor model, serial number and part number. Order assemblies when possible.

<u>REF. NO.</u>	<u>PART NO.</u>	<u>DESCRIPTION</u>	<u>QTY.</u>
1	220-1061	LEVER,CONTROL,IDLE,HONDA,8HP,LIC-8HG	1
2	121-1083	NUT,COMPRESSION,TUBING,BRASS,3/8"	1
3	150-1064	PISTON,CONTROL,IDLE,THROTTLE,HONDA	1
4	104-1021	RING,O,BUNA-N,5/16"IDX7/16"ODX1/16"THK	1
5	150-1063	CYLINDER,CONTROL,IDLE,THROTTLE,BRASS,TIC	1
6	150-1139	BRACKET,CONTROL,IDLE,THROTTLE,11HP,HONDA	1
7	121-1037	ELBOW,FEMALE,COMPRESSION,BR,1/4TBX1/8"N	1
8	121-1080	SLEEVE,COMPRESSION,BRASS,1/4"	1
9	121-1082	NUT,COMPRESSION,TUBING,BRASS,1/4"	1
10	120-1078	WASHER,FLAT,STEEL,PLATED,USS,3/8"	2
11	120-1077	WASHER,LOCK,SPLIT,STEEL,PLATED,3/8"	2
12	120-1032	SCREW,CAP,HEXHD,GR5,ST,PLTD,3/8-16X1	2

PRIOR TO NOV. 1, 2005
(OLD STYLE UNLOADER HEAD
UNAVAILABLE)



MODEL GT & GTU
Four Cylinder -Two Stage
2-1/2 (3) - 2-1/2 Bore X 2-3/8 Stroke

Parts List for Model GT, GTU

NOTE: The quantity number indicates the total number of pieces required for a complete unit repair.
When ordering parts give compressor model, serial number and part number. Order assemblies when possible.

<u>REF. NO.</u>	<u>PART NO.</u>	<u>DESCRIPTION</u>	<u>QTY.</u>
1	120-1163	PIN,ROLLED,COILED,STL,BLK,1/4ODX1L,K25	1
2	220-1090	FLYWHEEL,GT PUMP,CI,13-1/4,2 GROOVE,G23	1
3	150-1036	SEAL,OIL,LIP,SINGLE,0.875 DIA,K11E	1
4	220-1034	CRANKCASE,Y PUMP,CI,MACHINED,Y1A	1
5	610-1029	PLUG,CRANKCASE,FILL,OIL,W/O-RING,K14	1
6	104-1016	RING,O,BUNA-N,5/8"IDX13/16"ODX3/32"THK	1
7	122-1037	NIPPLE,STEEL,SCH 40,3/8" X 2" L	1
8	122-1084	CAP,FEMALE,MI,3/8"NPT	1
9	160-1052	GAUGE,SIGHT,LEVEL,OIL,1/2"NPT	1
10	610-1399	CRANKSHAFT,Y PUMP,CI,PAINTED,BLUE,Y20A	1
11	150-1000	BEARING,BALL,K9	1
12	150-1008	BEARING,BALL,L9	1
13	104-1000-01	GASKET,CAP,BEARING,F&K&G PUMP,1/32THK,L3	1
13A	104-1000-02	GASKET,CAP,BEARING,F&K&G PUMP,1/64THK,L4	1
14	150-1081	COIL SPRING C/U UNLOADER ZN	1
15	220-1049	TUBE,OPERATING,CENTRIFICAL UNLOADER,EQ71	1
16	610-1167	UNLOADER,CENTRIFUGAL,WEIGHT,SET,EQ70	1
17	610-1066	PIN,PIVOT,UNLDR,CNTRFCL,W/CTTR PIN,EQ73	1
18	220-1076	CAP,BEARING,D PUMP,CI,MACHINED,D2	1
19	120-1002	SCREW,CAP,HEXHD,GR5,ST,BLK,1/4-20X5/8 (10 FT-LB)	3
20	120-1171	NUT,HEX,JAM,STEEL,PLATED,7/16-20,EQ74C	1
21	220-1050	PIN,UNLOADER,CENTRIFICAL,EQ74D	1
22	150-1035	BODY,UNLOADER,EQ74B	1

Parts List for Model GT, GTU

NOTE: The quantity number indicates the total number of pieces required for a complete unit repair.
When ordering parts give compressor model, serial number and part number. Order assemblies when possible.

<u>REF. NO.</u>	<u>PART NO.</u>	<u>DESCRIPTION</u>	<u>QTY.</u>
23	610-1120	TUBE,UNLOADER,CENTRIFUGAL,EQ PMP,CU,EQ78	1
24	120-1170	VALVE,CORE,EQ74A	1
25	610-1137	TUBE,BREATHER,CU,BENT,MGU&GCU>U,L18	1
26	121-1025	CONNECTOR,MALE,COMPRESSION,BR,1/4TBX1/8"	2
27	120-1169	PIN,COTTER,ST,BLACK,1\16DIA X1\2LG,EQ73B	1
28	310-1010	ROD,CONNECTING,AL,REPLACEMENT,EQ,L21W	1
29	150-1034	BEARING,NEEDLE,EQ38	1
30	150-1039	PIN,PISTON,STEEL,EQ35	1
31	120-1165	PIN,ROLLED,STEEL,BLACK,1/8ODX5/16L,EQ37	1
32	150-1011	BEARING,ROD,CONNECTING,PUMP,F,K,G	8
33	310-1001-02	ROD,CONNECTING,WO/BRNG INSERT,L21L&L21K	3
34	150-1005	PIN,PISTON,STEEL,HARDENED,K35	3
35	104-1103	BUMPER,WRIST PIN,PLASTIC,K36A	6
36	610-1065	KIT,RING,OIL,W/EXPANDER,ASSY,K34	4
37	150-1003	RING,COMPRESSION,PISTON,STEEL,EBA 22,K33	8
38	220-1005	PISTON,PUMP,ALUMINUM,MACHINED,K32	3
39	610-1047	SCREW,ROD,STEEL,W/LOCK WASHER,1/4-20,L22 (10 FT - LB)	8
40	120-1068	WASHER,LOCK,SPLIT,ST,BLK,HIGH CLLR,1/4"	8
41	220-1013	PLATE,VALVE,L PUMP,CI,MACHINED,L40	1
42	220-1016	HEAD,UNLOADING,G PUMP,CI,6HOLES,LU80 LEFT HAND HEAD	1
43	121-1032	ELBOW,MALE,COMPRESSION,BR,1/4TBX1/8"NPTM	2
44	121-1108	ELBOW,BRASS,MALE,45DEG,1/2-45SAEX1/2"NPT	1

Parts List for Model GT, GTU

NOTE: The quantity number indicates the total number of pieces required for a complete unit repair.
When ordering parts give compressor model, serial number and part number. Order assemblies when possible.

<u>REF. NO.</u>	<u>PART NO.</u>	<u>DESCRIPTION</u>	<u>QTY.</u>
45	150-1020	SPRING, VALVE, UNLOADER, INTAKE, KU83	4
46	104-1020	RING, O, SILICON, 7/16"IDX5/8"ODX3/32"THK	4
47	150-1028	PISTON, UNLOADER, VALVE, CHECK, BRASS, KU81	4
48	104-1015	RING, O, BUNA-N, 1/2"IDX11/16"ODX3/32"THK	4
49	122-1051	PLUG, HEX, BRASS, 11/16-16 UN-2B X .550	4
50	310-1022	HEAD, START/STOP, GT PUMP	1
51	120-1028	SCREW, CAP, HEXHD, GR5, ST, BLK, 5/16-18X2-1/4 (22FT-LB	10
52	120-1252	BOLT, STUD, HEX, ST, 5/16-18X2-1/4X5/8, K52-1 (22FT-LB)	2
53	104-1008	GASKET, HEAD, K&G&W PUMP, 1/32THK, L51	1
54	50-1041	RETAINER, VALVE, STEEL, PAS, 0.062"THK, K43	9
55	109-1010	VALVE, CHECK, BUMPER, STEEL, K44	9
56	150-1018	SPRING, CONE, SS, VALVE, DISCHARGE, K46	6
57	109-1011	VALVE, DISC, STAINLESS STEEL, K47	9
58	220-1042	PISTON, PUMP, AL, MACHINED, 2 STAGE, K32W	1
59	150-1017	SPRING, CONE, SS, VALVE, INTAKE, K45	3
60	104-1007	GASKET, PLATE, VALVE, K&G&W PUMP, 1/32TK, L41	2
61	360-1150	CYLINDER K30 BLUE EMGLO REPLACEMENT	2
62	120-1017	SCREW, CAP, HEXHD, GR5, ST, BLK, 5/16-18X3/4 (15 FT-LB)	12
63	104-1006	GASKET, CYLINDER, K&G&W PUMP, 1/32THK, K31	2
64	310-1022	HEAD, START/STOP, GT PUMP	1
65	150-1104	ELEMENT, FILTER, AIR, G54E	2
66	141-1018	VALVE, SAFETY, ASME, 1/4", 65 PSI	1
67	121-1039	TEE, BRANCH, BRASS, 1/4"TBX1/4"TBX1/8"NPTM	1

Parts List for Model GT, GTU

NOTE: The quantity number indicates the total number of pieces required for a complete unit repair.
When ordering parts give compressor model, serial number and part number. Order assemblies when possible.

<u>REF. NO.</u>	<u>PART NO.</u>	<u>DESCRIPTION</u>	<u>QTY.</u>
68	610-1121	TUBING,UNLOADER,HEAD-HEAD,MGU PUMP,LU88	1
69	104-1013	GASKET,HEAD,K&G&W PUMP,1/32THK,EQ51 RIGHT HAND HEAD	1
70	220-1043	HEAD,UNLOADING,EQ PUMP,CI,6HOLES,EQ80 RIGHT HAND HEAD	1
71	121-1013	ELBOW,MALE,BRASS,1/2-45SAEX1/2"NPTM	3
72	220-1041	PLATE,VALVE,W PUMP,CI,MACHINED,W40	1
73	150-1042	WASHER,BRASS,1/32X 0.605ODX1/4 ID,KU84	4
Assemblies			
74	610-1015	UNLOADER,CENTRIFICAL,PUMP,ASSY,EQ170 W / GASKET, INCLUDES 13, 13A, 14, 15, 16, 17, 27	1
75	310-1016	VALVE,UNLOADER,CENTRIFICAL,ASSY,EQ174 INCLUDES 20, 21, 22, 24	1
76	610-1060	UNLOADER,CENTRIFICAL,W/B CAP,ASSY,Y175 INCLUDES 18, 19(3), 74, 75	1
77	310-1044	ROD,CONNECTING,W/INSRT,HI PSI,L21L&L21K INCLUDES 28, 32(2), 39(2), 40(2)	1
78	310-1043	ROD,CONNECTING,W/BEARNG INSERT,L21L&L21K INCLUDES 32(2), 33, 39, 40	3
79	610-1020	KIT,PUMP,RING,PISTON,F&K&G&W PUMP,K133 INCLUDES 36, 37(2)	4
80	610-1028	PISTON,W/RINGS&PIN,ASSY,K132 (LP) INCLUDES 34, 35(2), 36, 37(2)	3
81	610-1042	VALVE,UNLOADER,HEAD,PUMP,ASSY,KU181 INCLUDES 45, 46, 47, 48, 73	4
82	610-1031	VALVE,SUCTION,ASSY,K145 INCLUDES 54, 55, 57, 59	3
83	610-1032	VALVE,DISCHARGE,ASSY,K146 INCLUDES 54, 55, 56, 57	6

Parts List for Model GT, GTU

NOTE: The quantity number indicates the total number of pieces required for a complete unit repair.
When ordering parts give compressor model, serial number and part number. Order assemblies when possible.

<u>REF. NO.</u>	<u>PART NO.</u>	<u>DESCRIPTION</u>	<u>QTY.</u>
84	320-1121	FILTER,W/DECALS,ASSY,G154S	2
85	610-1057	INTERCOOLER,FINNED,W/FLARE NUTS,ASY,EQ65	1
86	610-1056	INTERCOOLER,FINNED,W/FLARE NUTS,ASY,EQ62	1
NOT SHOWN	105-1209	OIL,PUMP,SYNTHETIC,BLUE,1 QUART,ESQ	1
NOT SHOWN	610-1226	KIT,FILTER,ASSY,G154,PKG OF 4,G154P	1
NOT SHOWN	610-1186	KIT,ELEMENT,FILTER,L54E,PKG OF 4,L54EP	1
NOT SHOWN	150-1010	ELEMENT,FILTER,AIR,COMPRESSOR,JENNY,L54E	1