



BOSCH

Slot Shears

GSZ 160 | 0 601 521 043

Table of Content

Spare parts list.....	2
Illustration - Type.....	4

Spare parts list

Item	Part Number	Description
1	3 605 102 090	Motor Housing
2	2 609 160 011	Field 220-240V
3	2 604 011 270	Armature 220-240V
4	1 607 200 146	Switch
5	1 604 460 258	Power supply cord CN 4,15m 2 x 1,0mm H07 RN-F
6	2 600 703 013	Grommet Ø7,6-Ø8,2x95 MM
7	2 601 035 001	Cable Clip
9	3 601 119 177	Manufacturer's nameplate
12	3 607 328 016	Suppression Filter
13	2 600 905 032	Ball Bearing 7x19x6
14	2 600 905 021	groove ball bearing 9x24x7
16	1 619 P01 811	Brush Holder
17	1 604 652 013	Spiral Spring
18	1 604 611 031	Compression Spring
20	3 605 700 160	Intermediate Flange
21	3 605 806 191	Gear Housing
22	1 602 319 009	Adjusting Slide
23	1 602 026 068	Switch Handle BLACK
25	3 605 500 163	Housing Cover
26	1 600 502 024	Intermediate Ring
27	3 600 206 015	Rubber Ring
29	1 600 591 023	Air-Deflector Ring
30	3 600 929 037	Rotary shaft lip seal
31	2 600 300 047	Seal Bushing
32	3 600 283 046	Spring retaining ring
33	2 603 490 021	Torx Oval-Head Screw 4x12
34	2 603 490 022	Screw 4x16
36	1 613 435 034	Lens Head Screw 3x10 ST
37	2 603 490 026	Lens Head Screw 4x32
38	2 917 510 094	Straight Pin DIN 7-4 M6x10-ST
40	2 600 914 010	Needle-Roller Bearing Ø6 MM
41	3 606 110 008	Eccentric Shaft
42	3 600 200 050	Shim ring
43	3 606 320 022	Cylindrical Gear

Spare parts list

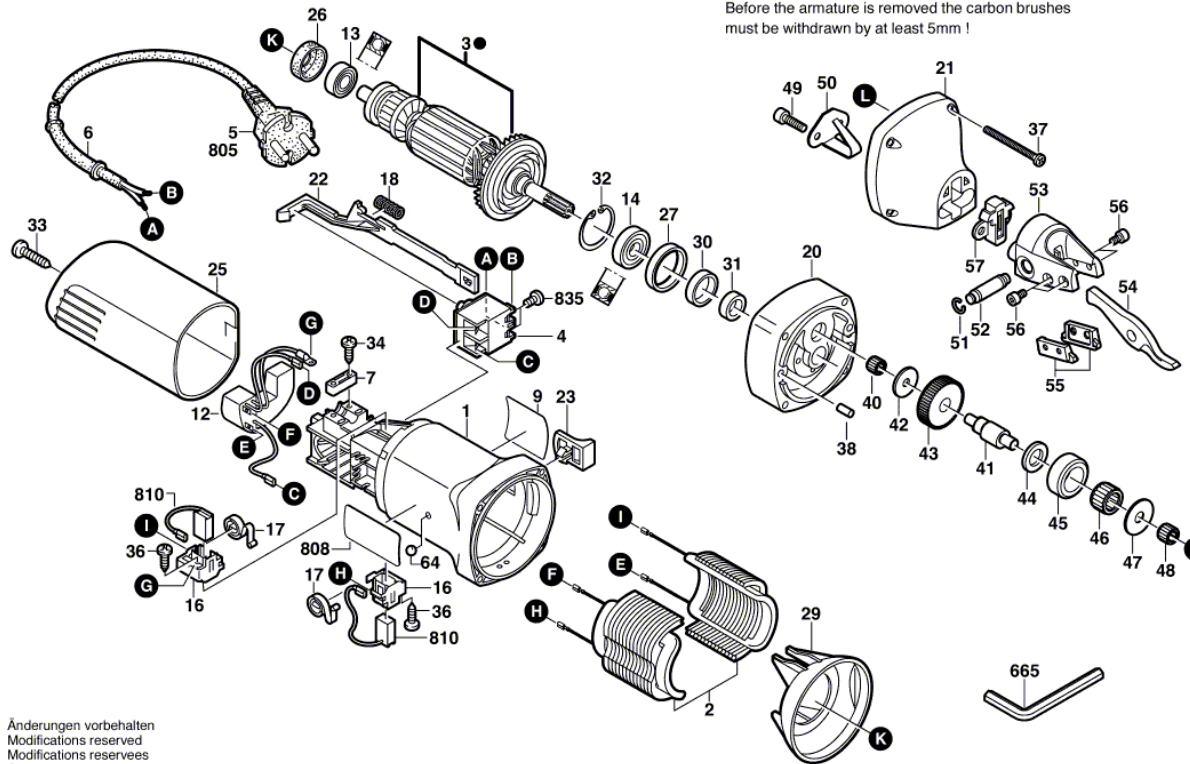
Item	Part Number	Description
44	3 600 200 049	Backup ring
45	3 600 200 052	Track-Supporting Roller
46	3 600 917 019	Needle bearing
47	3 600 200 051	Shim ring
48	2 600 910 006	Needle bearing Ø7 MM
49	2 910 405 166	Hex Socket Head Cap Screw DIN 912- M5x30-12.9
50	3 607 233 014	Shaped Spring
51	2 916 550 002	Retaining ring 8x0,8MM
52	3 607 233 015	Bolt
53	3 607 233 016	Cutting Head
54	3 608 635 005	Cutting Knife 1-1,6 MM
55	3 607 233 019	pin header
56	2 910 140 116	Hex Socket Head Cap Screw DIN 7984- M4x6-8.8
57	3 607 233 020	Seal
64	2 603 230 001	Ball BLUE
665	1 907 950 003	Offset Screwdriver DIN 911 SW2,5
808	3 601 110 451	Nameplate
810	3 604 321 039	Carbon-Brush Set
835	2 910 641 082	Oval-Head Screw

Illustration - Type - E

0 601 521 003
 Stand 12-95
 Issue J 08-01-16

Fig./Abb. 1

● Vor Demontage des Ankers
 Kohlebürsten 5mm zurückziehen !
 Before the armature is removed the carbon brushes
 must be withdrawn by at least 5mm !



Änderungen vorbehalten
 Modifications reserved
 Modifications reserves
 Salvo modificaciones