



BOSCH

Jig Saw

GST 85 PBE | 0 601 587 643

Table of Content

Spare parts list.....	2
Illustration - Type.....	6

Spare parts list

Item	Part Number	Description	
4	1 903 201 042	Needle Roller	DIN 5402-A3x11,8-G2
5	2 600 108 077	Felt Washer	
6	2 600 500 002	Cupped Washer	
8	2 916 660 008	Spring retaining ring	DIN 472-24x1,2 MM
9	2 600 400 008	Receptacle	
12	2 600 101 616	Shim	0,5 MM
15	1 619 P02 581	Eccentric Cog Wheel	
16	2 600 102 653	Shim	1,0 MM
17	2 600 100 515	Shim	0,3 MM
17	2 600 100 516	Shim	0,5 MM
18	2 601 923 004	Fork Lever	
20	2 600 102 652	Shim	0,5 MM
21	2 600 100 625	Shim	0,1 MM
21	2 600 100 626	Shim	0,2 MM
21	2 600 100 627	Shim	0,3 MM
21	2 600 100 628	Shim	0,5 MM
22	2 601 098 003	Counterweight	
23	2 600 309 009	Spacer Sleeve	
25	2 600 100 575	Shim	0,2 MM
25	2 600 100 576	Shim	0,3 MM
25	2 600 100 577	Shim	0,5 MM
29	2 600 100 568	Shim	0,5 MM
29	2 600 100 569	Shim	1,0 MM
29	2 600 100 607	Shim	0,3 MM
32	2 602 305 042	Air Eliminator	
34	2 600 590 006	Ratchet Cap	
35	2 602 026 036	Rotary Knob	BLACK
37	2 602 026 037	Rotary Knob	BLACK
39	2 601 015 050	Seal	
41	2 603 410 048	Thread-forming tap. Screw	M4x8
42	2 604 613 000	Compression Spring	
43	1 616 B00 224	Guide Bracket	
44	1 619 P12 765	Lifting Rod	
45	1 619 P06 451	Clamping Saddle	
46	1 619 P12 767	Sliding Piece	

Spare parts list

Item	Part Number	Description
47	2 603 421 040	Countersunk-Head Screw DIN 7962-M3,5x8-10.9
48	2 600 112 031	Supporting Disc 0,5 MM
49	2 600 290 017	Seal Ring 0,5 MM
50	2 600 101 612	Shim 0,5 MM
53	2 603 490 011	Clamp Screw
60	2 603 490 024	Torx Oval-Head Screw 4x25
62	2 915 011 007	Hex Nut DIN 934-M6-8-A
64	2 601 030 019	Profile Beading
65	2 910 141 197	Hex Socket Head Cap Screw DIN 912-M6x16-8.8
68	2 603 410 049	Thread-forming tap. Screw M4x12 MM
69	2 914 551 176	Microencapsulated Screw DIN 7985-M4x12MM
70	1 619 P06 471	Scale Plate
85	2 604 610 040	Compression Spring
90	2 601 322 021	Safety Device
91	2 910 011 128	Socket head cap screw DIN 84-AM4x18-5.8
102	2 604 220 709	Field 220-240V
103	2 604 010 578	Armature 230-240V
103/50	2 606 610 049	Fan
104	2 607 200 245	Switch
105	1 604 460 256	Power supply cord CN 2,65m 2 x 1,0mm H05 RN-F
106	2 600 703 027	Grommet Ø6,5-Ø6,9x95 MM
107	2 601 035 001	Cable Clip
109	2 601 118 486	Manufacturer's nameplate SUNNY SIDE
112	2 604 465 049	Suppression Filter
113	1 900 905 018	Ball Bearing 7x22x7
116	1 600 A00 3G4	Brush Holder
118	2 603 410 001	Socket head cap screw M3x6,5-4.8
119	2 603 490 022	Screw 4x16
120	2 601 118 526	Reference Plate SHADOW SIDE
125	2 910 601 321	Tapping Screw DIN 7982-ST3,9x22C-H
127	2 602 025 060	Strap-Shaped Handle
128	2 603 410 054	Thread-forming tap. Screw M 5x16
131	2 610 364 015	Hexagon Socket Screw Key 5 MM

Spare parts list

Item	Part Number	Description		
132	2 603 320 001	Square Nut	M4	
144	1 614 431 010	Cable	L=233 MM	WHITE
145	2 604 448 160	Cable	L = 238 MM	WHITE
148	2 600 409 017	Insulation Tubing		
149	2 603 231 032	Plug	BLUE	
150	2 600 101 027	Shim washer	0,3 MM	
151	2 600 150 004	Shim		
152	2 603 435 086	Tapping Screw		
154	2 601 328 045	Cover Disc		
155	2 603 490 017	Torx Oval-Head Screw	3x10	
156	2 604 652 009	Spiral Spring		
157	2 600 508 038	Housing Cover	BLUE	
161	2 601 118 525	Sticker	SHADOW SIDE	
162	2 606 491 011	Ratchet		
163	2 600 423 006	Carrier Bracket		
164	1 600 210 034	O-Ring	4,0x1,0 MM	
165	2 606 491 014	Coupling Half		
166	2 604 617 004	Compression Spring		
167	1 600 101 603	Plain Washer	0,5 MM	THICK
168	2 600 421 001	Guide Sleeve		
171	2 600 301 046	Sintered-Metal Bushing		
172	2 600 301 045	Bushing		
801	2 605 808 917	Gear Housing		
802	2 605 108 904	Motor Housing	BLUE	
807	2 600 905 039	groove ball bearing	9x24x7	
808	1 601 11A 3H3	Nameplate		
810	2 604 320 912	Carbon-Brush Set		
813	2 607 001 130	Needle-Roller Cage		
819	2 916 080 007	Locking Washer	DIN 6799-4-FSt	
824	2 601 072 901	Eccentric Disc		
826	2 602 025 901	Strap-Shaped Handle		
827	2 916 080 910	Locking Washer	DIN 6799-7-FSt	
830	2 914 501 021	Screw and washer assembly		M 4x20 MM
831	2 600 917 900	Needle bearing		
836	2 916 080 008	Locking Washer	DIN 6799-5-FSt	

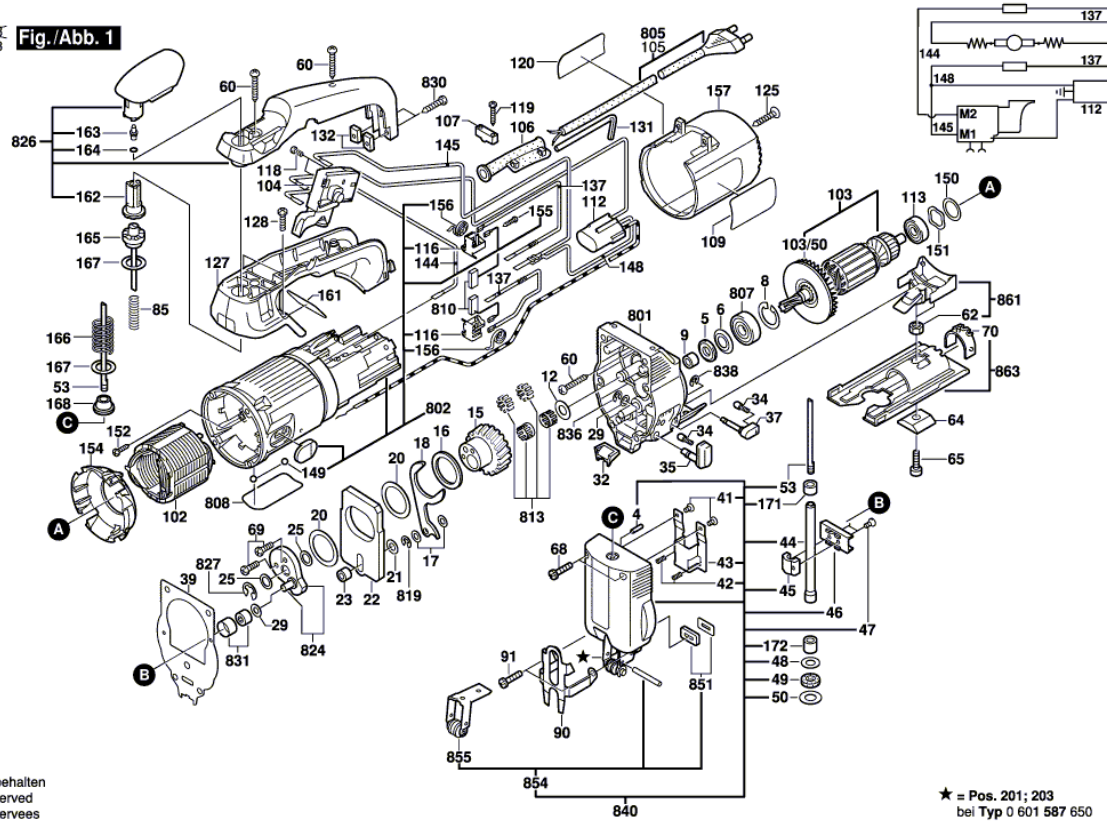
Spare parts list

Item	Part Number	Description
838	2 600 116 009	Spring retaining ring
840	2 605 808 921	Gear Cover
851	2 601 015 901	Sealing Plate
854	2 601 321 902	Roller Lever
855	1 619 P01 375	Roller Set
861	2 605 500 900	Fan Cover
863	2 601 016 903	Base Plate

Illustration - Type - E

0 601 587 603
 Stand | 19-10-23
 Issue | 19-10-23

Fig./Abb. 1



Änderungen vorbehalten
 Modifications reserved
 Modifications reserves
 Salvo modificaciones

★ = Pos. 201; 203
 bei Typ 0 601 587 650