



BOSCH

Jig Saw

GST 65 | 3 601 E09 180

Table of Content

Spare parts list.....	2
Illustration - Type.....	4

Spare parts list

Item	Part Number	Description
1	1 619 P10 206	Motor Housing
2	1 619 P01 960	Field 220V
3	1 619 P01 957	Armature 220V
3/60	2 606 610 022	Fan
4	2 607 200 637	On-Off Switch
5	1 604 460 225	Power supply cord CN 2,65m 2 x 1,5mm H07 RN-F
6	2 600 703 017	Grommet Ø6,4-Ø7,2x76 MM
7	2 601 035 001	Cable Clip
13	1 619 P07 628	Needle bearing
14	2 600 905 021	groove ball bearing 9x24x7
19	2 910 611 019	Tapping Screw DIN 7981-ST3,9x16-C-H
27	1 619 P01 395	Spring Washer
28	1 619 P01 396	Shim
28	1 619 P01 397	Shim
29	1 619 P02 421	Counter Weight
30	2 600 101 673	Shim Ø 18,3 MM
31	1 619 P09 533	Eccentric Cog Wheel
34	2 603 201 020	Bearing bolt
35	2 600 103 013	Supporting Disc
36	2 600 400 024	Guide Sleeve
37	1 619 P02 783	Shim Ø 13 MM
39	1 619 P09 928	Holding Spring
40	1 619 P12 589	Lifting Rod
41	2 603 400 000	Clamp Screw
42	2 600 301 049	Sintered-Metal Bushing
43	2 601 020 007	Lubricating Felt
44	2 601 030 006	fixing plate
45	2 910 021 126	Socket head cap screw DIN 84-AM4x16-8.8
46	2 601 016 012	Base Plate
51	2 601 032 017	Profile Beading
54	2 604 448 150	Connecting Cable
55	2 910 611 020	Tapping Screw DIN 7981-ST3,9x19-C-H
56	2 910 611 018	Tapping Screw DIN 7981-ST3,9x13-C-H
58	2 604 448 057	Cable L=249 MM BLUE

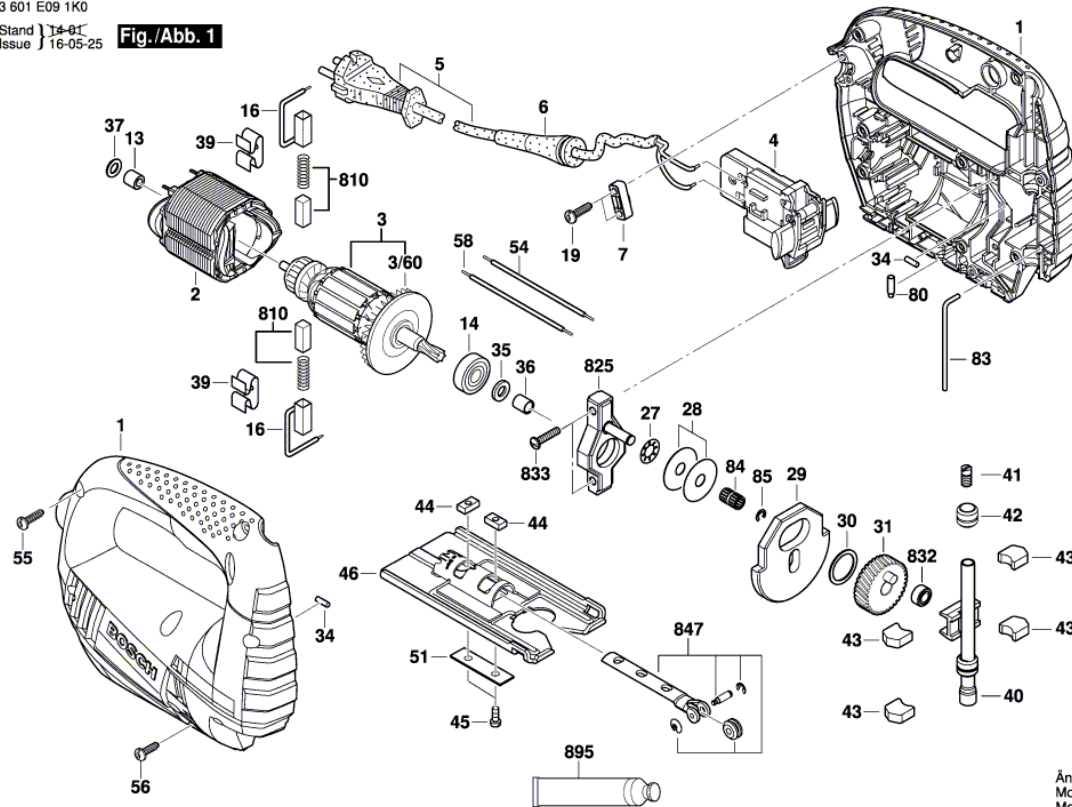
Spare parts list

Item	Part Number	Description
80	2 603 120 019	Detent Pin
83	2 603 105 052	Locking pin
84	1 619 P01 392	Needle-Roller Assembly
85	1 619 P01 389	Spring retaining ring
810	2 604 321 919	Carbon-Brush Set
825	1 619 P02 422	Bearing Bracket
832	2 600 917 904	Needle bearing
833	2 914 500 009	Screw and washer assembly M4x18Z1-4.8
847	2 608 135 901	Retaining Bracket
895	3 605 430 003	Grease Tube Albida

Illustration - Type - E

3 601 E09 1K0
 Stand } 14-01
 Issue } 16-05-25

Fig./Abb. 1



Änderungen vorbehalten
 Modifications reserved
 Modificaciones reserves
 Salvo modificaciones